



grass valley

A **BELDEN** BRAND

KMV-3901/3911

SPACE SAVING, SINGLE AND DUAL QUAD-SPLIT MULTIVIEWER

Quick Start Guide

M866-9905-111

2015-06-01



www.grassvalley.com

Copyright & Trademark Notice

Copyright © 2010–2015, Grass Valley USA, LLC. All rights reserved.

Belden, Belden Sending All The Right Signals, and the Belden logo are trademarks or registered trademarks of Belden Inc. or its affiliated companies in the United States and other jurisdictions. Grass Valley, KMV-3911, KMV-3901, Kaleido-X, iControl, and Densité are trademarks or registered trademarks of Grass Valley USA, LLC. Belden Inc., Grass Valley USA, LLC, and other parties may also have trademark rights in other terms used herein.

Terms and Conditions

Please read the following terms and conditions carefully. By using Kaleido multiviewer documentation, you agree to the following terms and conditions.

Grass Valley hereby grants permission and license to owners of Kaleido multiviewers to use their product manuals for their own internal business use. Manuals for Grass Valley products may not be reproduced or transmitted in any form or by any means, electronic or mechanical, including photocopying and recording, for any purpose unless specifically authorized in writing by Grass Valley.

A Grass Valley manual may have been revised to reflect changes made to the product during its manufacturing life. Thus, different versions of a manual may exist for any given product. Care should be taken to ensure that one obtains the proper manual version for a specific product serial number.

Information in this document is subject to change without notice and does not represent a commitment on the part of Grass Valley.

Warranty information is available from the Legal Terms and Conditions section of Grass Valley's website (www.grassvalley.com).

The SDHC Logo is a trademark of SD-3C, LLC.

Title	KMV-3901/3911 Quick Start Guide
Part Number	M866-9905-111
Revision	1 June 2015, 5:27 pm

Electrostatic Discharge (ESD) Protection



Electrostatic discharge occurs when electronic components are improperly handled and can result in intermittent failure or complete damage adversely affecting an electrical circuit. When you remove and replace any card from a frame always follow ESD-prevention procedures:

- Ensure that the frame is electrically connected to earth ground through the power cord or any other means if available.
- Wear an ESD wrist strap ensuring that it makes good skin contact. Connect the grounding clip to an *unpainted surface* of the chassis frame to safely ground unwanted ESD voltages. If no wrist strap is available, ground yourself by touching the *unpainted* metal part of the chassis.
- For safety, periodically check the resistance value of the antistatic strap, which should be between 1 and 10 megohms.
- When temporarily storing a card make sure it is placed in an ESD bag.
- Cards in an earth grounded metal frame or casing do not require any special ESD protection.

Protection contre les décharges électrostatiques (DES)



Une décharge électrostatique peut se produire lorsque des composants électroniques ne sont pas manipulés de manière adéquate, ce qui peut entraîner des défaillances intermittentes ou endommager irrémédiablement un circuit électrique. Au moment de remplacer une carte dans un châssis, prenez toujours les mesures de protection antistatique appropriées :

- Assurez-vous que le châssis est relié électriquement à la terre par le cordon d'alimentation ou tout autre moyen disponible.
- Portez un bracelet antistatique et assurez-vous qu'il est bien en contact avec la peau. Connectez la pince de masse à une *surface non peinte* du châssis pour détourner à la terre toute tension électrostatique indésirable. En l'absence de bracelet antistatique, déchargez l'électricité statique de votre corps en touchant une surface métallique *non peinte* du châssis.
- Pour plus de sécurité, vérifiez périodiquement la valeur de résistance du bracelet antistatique. Elle doit se situer entre 1 et 10 mégohms.
- Si vous devez mettre une carte de côté, assurez-vous de la ranger dans un sac protecteur antistatique.
- Les cartes qui sont reliées à un châssis ou boîtier métallique mis à la terre ne nécessitent pas de protection antistatique spéciale.

Recycling

Visit www.grassvalley.com for recycling information.

Certification and Compliance

Electromagnetic Compatibility

FC This equipment has been tested for verification of compliance with FCC Part 15, Subpart B requirements for class A digital devices.

Note: This equipment has been tested and found to comply with the limits for a Class A digital device, pursuant to part 15 of the FCC Rules. These limits are designed to provide reasonable protection against harmful interference when the equipment is operated in a commercial environment. This equipment generates, uses, and can radiate radio frequency energy and, if not installed and used in accordance with the instruction manual, may cause harmful interference to radio communications. Operation of this equipment in a residential area is likely to cause harmful interference in which case the user will be required to correct the interference at his own expense.

CE This equipment has been tested and found to comply with the requirements of the EMC directive 2004/108/EC:

- EN 55022 Class A radiated and conducted emissions
- EN 61000-3-2 Limits for harmonic current emissions
- EN 61000-3-3 Limitation of voltage changes, voltage fluctuations and flicker
- EN 61000-4-2 Electrostatic discharge immunity
- EN 61000-4-3 Radiated, radio-frequency, electromagnetic field immunity
- EN 61000-4-4 Electrical fast transient/burst immunity
- EN 61000-4-5 Surge transient immunity
- EN 61000-4-6 Conducted disturbances immunity
- EN 61000-4-8 Power frequency magnetic field immunity
- EN 61000-4-11 Voltage dips, short interruptions and voltage variations immunity

Environmental Compliance

部件名称 Part name	有毒有害物质或元素 (Toxic or hazardous substances and elements)					
	铅 (Pb)	汞 (Hg)	镉 (Cd)	六价铬 (Cr6)	多溴联苯 (PBB)	多溴二苯 (PBDE)
电缆及电缆组件 Cables and cable assemblies	X	O	O	O	O	O
电路模块 Circuit modules	X	O	O	O	O	O
组装风扇 Fan assemblies	X	O	O	O	O	O

O: 表示该有毒有害物质在该部件所有均质材料中的含量均在 SJ/T 11363-2006 规定的限量要求以下。

O: Indicates that this toxic or hazardous substance contained in all of the homogeneous materials for this part is below the limit requirement in SJ/T11363-2006.

X: 表示该有毒有害物质至少在该部件的某一均质材料中的含量超出 SJ/T 11363-2006 规定的限量要求。

X: Indicates that this toxic or hazardous substance contained in at least one of the homogeneous materials for this part is above the limit requirement in SJ/T11363-2006.

技术条款解释：此声明所依据之数据由 Grass Valley 环境管理部门向我们的部件供应商获取。Grass Valley 公司相信此信息的正确性，但由于数据来源于公司外部，我们无法保证它的完整和准确。所有这些特性可能在未获通知的情况下更改。

Technical explanations: This statement is based on the information provided by our suppliers of components and collected through our Grass Valley's environmental management system. Grass Valley believes this environmental information to be correct but cannot guarantee its completeness or accuracy as it is based on data received from sources outside our company. All specifications are subject to change without notice.

Setting Up Your KMV-3901/3911 Multiviewer

Welcome to the Kaleido family of multiviewers! This Quick Start Guide is designed to help you get your Kaleido-Modular KMV-3901/3911 multiviewer up and running for the first time. The following sections will guide you through the installation of a KMV-3901/3911 system in its default configuration.

Summary

<i>Introduction</i>	1
<i>Getting Organized</i>	2
<i>Step 1: Physical Setup</i>	4
<i>Step 2: Networking Setup</i>	8
<i>Step 3: XEdit Installation</i>	18

Introduction

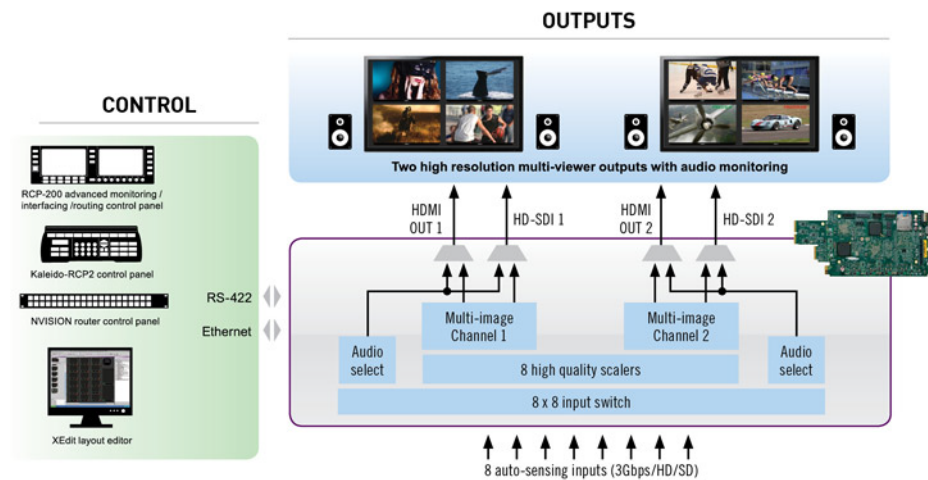
Grass Valley's Kaleido family of multiviewers ranges from quad-splits to large-scale, multi-room monitoring systems, with outstanding image quality and signal flexibility. The Kaleido multiviewers are available in different models: the Kaleido-MX, the Kaleido-MX 4K, the Kaleido-IP, the Kaleido-X (7RU), the Kaleido-X (4RU), the Kaleido-X16, and the Kaleido-XQUAD frames, as well as the Kaleido-Modular-X cards, and the Kaleido-Modular KMV-3901/3911 cards.

The **Kaleido-Modular KMV-3911** and **KMV-3901** cards can display up to eight 3Gbps, HD, or SD inputs in up to eight video windows across one or two high-resolution outputs. By using optional cascading bridges, up to three KMV-3901/3911 cards can be configured into a single- or dual-output system supporting up to 24 inputs.

At the heart of every multiviewer system is the **Kaleido-X software**, which includes the following client applications:

- **XAdmin** is a Web client that your system administrator will use to manage the multiviewer system.
- **XEdit** is a client application used to create layouts for the monitor wall, and to configure the multiviewer, from your PC or laptop.
- The **Router Control** Software Single Bus and Matrix View applications (also part of the iRouter Router Control Software packaged with iControl Application Servers) can be used to control your multiviewer's logical sources and monitor wall destinations, via the *KX Router* logical router, or to control other logical routers configured within your multiviewer system.
- **Signal Path Viewer** opens as a standalone panel, updated in real time, showing assignment information between router sources and multiviewer inputs. Signal Path Viewer is available for all multiviewer models, except Kaleido-IP (for which it is not relevant).

A Kaleido-Modular KMV-3901/3911 multiviewer system in its default configuration includes a number of layout presets. The default output head configuration is set to automatically detect the resolution of the associated display. If this information is not available, it will fall back to 1920 × 1080 @ 60 Hz (HDTV). The Kaleido-Modular range offers the most space- and energy-efficient multiviewer system. Housed in a *Densité 3+ FR1*, *Densité 3* or *Densité 3 mini* frame, the expandable, eight-input, dual-output KMV-3911 card replaces the earlier KMV-3901 model in the Kaleido-Modular range. A single 3 RU Densité 3 frame can hold up to 10 KMV-3911 (or KMV-3901) multiviewer cards, providing up to 20 quad-split outputs. The highly compact, half-1 RU Densité 3 mini frame can hold a single multiviewer card, providing up to two quad-split outputs. The Densité 3+ FR1 frame can hold two multiviewer cards, providing up to four quad-split outputs. The Kaleido-Modular range is ideal for production monitoring in trucks. It integrates tightly with other Densité signal processing cards, routers and production switchers.



Overview of single card functionality

Kaleido-Modular KMV-3901/3911 systems are available in the following sizes: 4 × 1, 4 × 2, 8 × 1, 8 × 2, 12 × 1, 12 × 2, 16 × 1, 16 × 2, 20 × 1, 20 × 2, 24 × 1 and 24 × 2. In addition to the earlier model's features, the KMV-3911 supports up to two HD-SDI monitoring outputs.

Getting Organized

This section provides information about system requirements, and items shipped with your KMV-3901/3911 card.

Required Materials

Your KMV-3901/3911 system package includes the following:

- KMV-3911 (or KMV-3901) card (front and rear modules)
- One or two 35-cm (14-inch) DIN-to-BNC cable adapters (for KMV-3911 models with HD-SDI monitoring output option only)
- The KMV-3901/3911 Quick Start Guide (this document)

- DVD including the Release Notes for the current version of the Kaleido-X software, the Kaleido-X User's Manual, database samples, Quick Start guides and hardware reference manuals for all multiviewer models

Note: In line with our commitment to environmental preservation, only the Quick Start Guide for your multiviewer model, and some ancillary documents (e.g. welcome letters, warranty cards) are distributed in printed form. All manuals are available on the DVD that shipped with your multiviewer. See the "Documentation" section of the Release Notes for a complete list. You can obtain the latest version of the manuals, the Release Notes, as well as software and useful data, from the Documentation Library section of Grass Valley's website.

In addition to the above, you will need the following (not supplied):

- Up to 2 displays
- A dedicated 100Base-T Ethernet switch with enough ports for the KMV-3901/3911, client PCs, and Kaleido-RCP2 units
- Client PC (see below for system requirements)
- Cables (to connect your multiviewer to video sources, to displays, and to the network):

Cable type	Purpose
CAT-5	For Ethernet connectivity
Display cables	Either extension modules—for example Grass Valley's DXF-200 (part number DXF-200-C)—or standard HDMI cables (non-locking)
Video cables	Standard coaxial cables with BNC connectors

Notes

- On all Kaleido multiviewers, the network adapters are set to auto-negotiate. By default, the connection speed and duplex mode will be set automatically based on the corresponding port settings on the switch.
 - If you have two displays, make sure the HDMI connectors on the multiviewer side have the same dimensions. Otherwise, the multiviewer's built-in locking mechanism will not be able to secure the smaller of the two connectors. You may order suitable HDMI cables from Grass Valley—HDMI to DVI female cable (1ft), part no. KXC-HDMI-DVI.
-

System Requirements for a Client PC

A client PC or laptop meeting the following requirements is required to access the XAdmin Web client, and the other Kaleido-X client applications.

Operating system	Windows XP Professional, Windows 7, Windows 8, or Windows 8.1
Processor	Core 2 Duo at 2 GHz, or better
Memory	At least 2 GB of RAM
Disk space	At least 2 GB free

Step 1: Physical Setup

IMPORTANT

Make sure the KMV-3901/3911 cards are NOT connected to the network

To avoid IP-address conflicts during this initial physical setup make sure none of the multiviewer cards are connected to the network—i.e. make sure there is no cable connected to your cards' ETH port—before powering up the Densité frame.

Densité CPU-ETH2 Enhanced Ethernet Controller Card

A Densité frame housing a KMV-3901/3911 multiviewer card must have a controller card (Densité CPU-ETH2 Enhanced Ethernet Controller Card) with firmware version 2.0.4 or later. A controller with an earlier version of the firmware cannot provide a time reference to the multiviewer card. Make sure the controller's internal clock is set to the correct date and time. The clock settings will persist for 10 days after a power loss. Should you need to change the time on a Densité CPU-ETH2 controller, then make sure to restart all multiviewers located in the same housing frame as the controller card. Refer to the Densité CPU-ETH2 Enhanced Ethernet Controller Card Guide to Installation and Operation for more information.

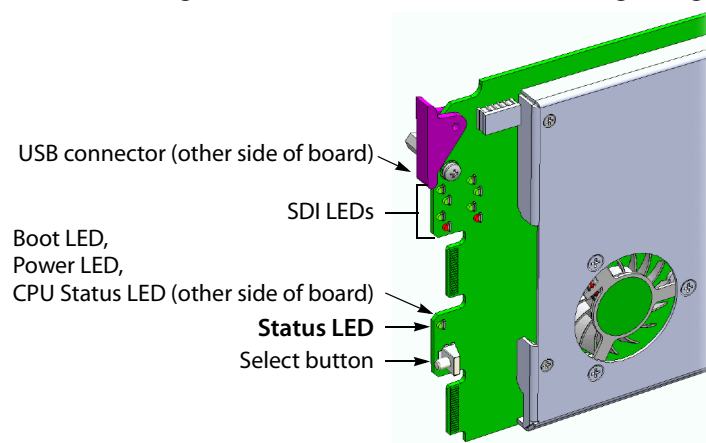
To set up the multiviewer hardware

- 1 Referring to the Guide to Installation and Operation that shipped with your *Densité 3+ FR1*, *Densité 3 mini* or *Densité 3* housing frame, mount the KMV-3901/3911 multiviewer card and associated rear panel in the housing frame, and then power up the frame.

Leave the frame door open so that you can monitor all the card's LEDs.

Note: For more information on the card's LEDs, refer to the *KMV-3901/3911 Guide to Installation and Operation*, available on the DVD that shipped with your system.

The KMV-3901/3911 card starts up. The startup sequence takes approximately five minutes, during which time the Status LED is blinking orange:



Once the startup has completed, the Status LED should be red (steady) because the card is not connected to the network yet:

Green	Blinking orange	Red	Blinking red
Normal	Booting (or the card is selected for local control)	No Ethernet / SD card error	Fan failure / no rear / duplicate IP address

- 2 Connect a client PC, and the Kaleido-RCP2 (if available) to a dedicated 100Base-T Ethernet switch (see [Cabling Diagram](#), on page 8). You can also connect a mouse and a keyboard to your Kaleido-RCP2.

Notes

- The Kaleido-RCP2 is an optional device, and may not have been shipped with your KMV-3901/3911 system. For information on this and other options for your multiviewer system, please contact your Grass Valley sales representative.
 - You may need to upgrade your Kaleido-RCP2 devices (if available) to the latest firmware. The update file can be found on the DVD that shipped with your multiviewer, and on Grass Valley's website. Please refer to the *Kaleido-RCP2 Guide to Installation and Operation* (available on the DVD, and from the Documentation Library section of Grass Valley's website) for instructions on how to determine the firmware level, and how to perform the upgrade.
-

The KMV-3901/3911 multiviewer has been configured to automatically detect the resolution of any connected display. If the required information is not available, then a fall-back resolution of 1920 × 1080 @ 60 Hz (HDTV) is used.

- 3 Connect at least one output of the multiviewer to a display that supports this resolution (see [Cabling Diagram](#), on page 8).
 - **Monitor wall displays:** Connect the multiviewer's MV OUT outputs to the displays.
 - **Broadcast monitors:** If your installation involves broadcast monitors, connect them to the appropriate SDI outputs.¹ It is also possible to connect SDI outputs to a router. Refer to *Configuring the HD-SDI Monitoring Output Format*, in the Kaleido-X User's Manual, for instructions on setting the scan format.

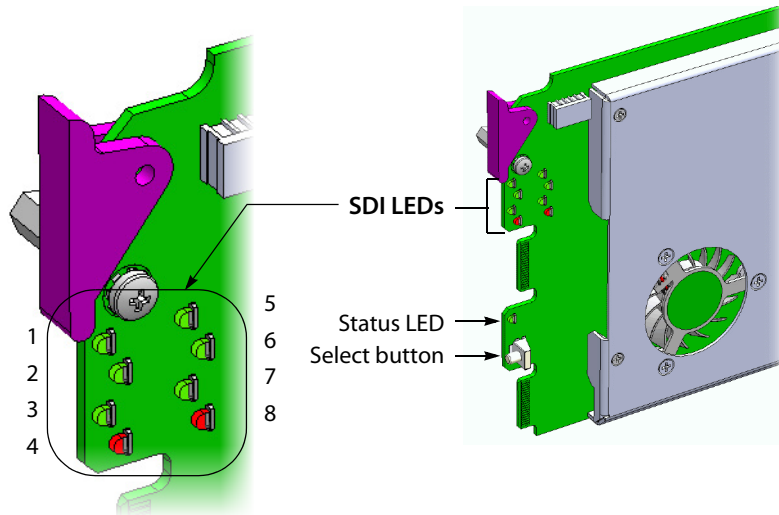
If you wish to use a different resolution, see [Changing the Output Resolution](#), below, for detailed instructions.

Note: If your display is not collocated with your Densité frame you may choose to employ a DXF-200 transmitter/receiver device that allows you to install a display up to 1,000 meters (3,300 feet) from the signal source. For more information on the DXF-200, refer to the *DXF-200 DVI/HDMI Optical Extension System User's Manual* (part no. M916-9900-104).

- 4 Connect one or more video sources to your multiviewer's inputs (see [Cabling Diagram](#), on page 8).

1. Available on KMV-3911 only.

- 5 Check that all SDI LEDs associated with the connected video inputs are green:



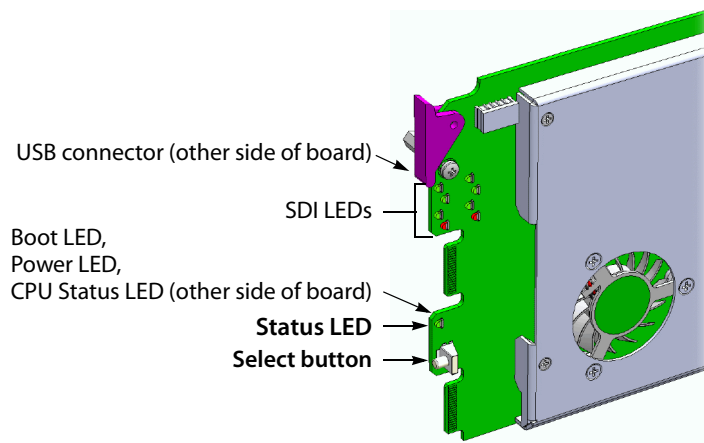
Changing the Output Resolution

IMPORTANT

All KMV-3901/3911 cards within a housing frame must have their output heads configured with the same refresh rate. If your frame is referenced, then the heads' refresh rate must also match the reference signal's refresh rate.

To change a display's resolution from the Densité controller's local control panel

- 1 Press the Select button on the front edge of the KMV-3901/3911 card.

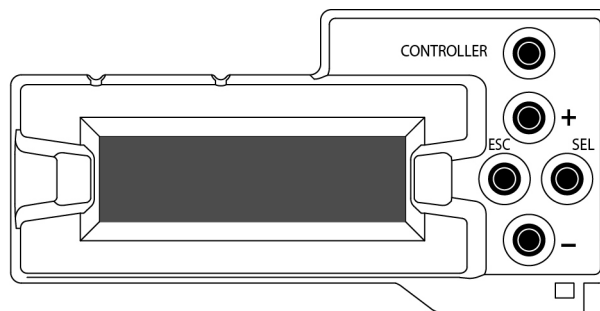


The Status LED on the selected card flashes orange, and the associated control menu appears on the LCD display of the Densité frame's local control panel.

Note: You can navigate the control menu by using the four buttons located beneath the display:

- Press the [+] and [-] buttons, to navigate between menu options or between parameter values.
 - Press SEL to access the next menu level. When a parameter value is shown on the display, modify the value by using the [+] and [-] buttons, and then press SEL to apply the new value.
 - Press ESC to go back to the previous menu level.
 - Once you have completed your changes, press the Select button *on the front edge of the KMV-3901/3911 card* to exit the control menu.
-

- 2 On the local control panel, press the [-] button twice, until RESOLUTION appears on the LCD display:



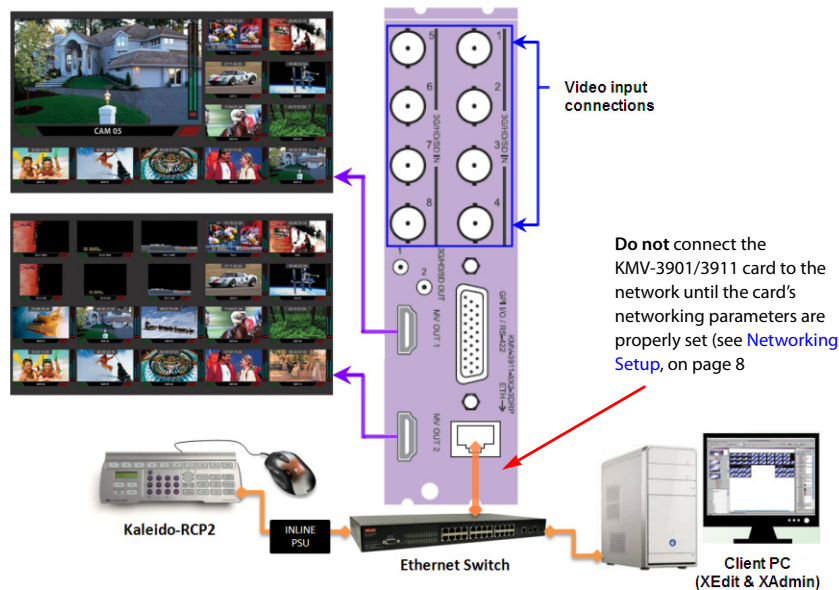
- 3 Press the SEL button.
HEAD 1 appears on the control panel's LCD display.
- 4 Press the SEL button again.
- 5 The current resolution for the display that is connected to the multiviewer's output head 1 (i.e. through the MV OUT 1 connector) appears on the LCD display.
- 6 Press the [+] and [-] buttons, to navigate to a suitable output resolution for your display.
- 7 Press SEL to apply the value shown on the display.
The selected resolution is applied to the display.
- 8 Press ESC to return to the previous level in the local control menu.
HEAD 1 appears again on the LCD display.
- 9 If you wish to change the resolution on the second display (if available), then press the [-] button.
HEAD 2 appears on the LCD display and you can repeat [step 4](#) to [step 8](#) above to verify or configure the resolution of the display that is connected to the multiviewer's output head 2 (i.e. through the MV OUT 2 connector).

- 10 When you are satisfied with the selected output resolution settings, press the Select button on the front edge of the KMV-3901/3911 card to exit the control menu.

Notes

- If you do not press any button on the Densité frame local control panel, the Densité controller will revert to its normal standby mode, and the selected card's Status LED will revert to its normal operating mode, after 30 seconds.
- If you changed a parameter from the card's control menu, but have not applied your change (you did not press the SEL button on the local control panel), once the 30-second timeout has occurred, the parameters will be confirmed as if you had pressed the SEL button.

Cabling Diagram



Cabling diagram (showing KMV-3911 rear panel)

IMPORTANT

If you need to install or momentarily remove a Densité card's rear module, make sure to first remove the card itself from its slot.

Step 2: Networking Setup

For the KMV-3901/3911 multiviewer to join a TCP/IP network, it must be configured with an IP address, a network mask, a gateway, and a system name. In addition, a client PC must be configured to communicate with the multiviewer (see [Configuring a Client PC](#), on page 16). You must also configure any Kaleido-RCP2 units you may have ordered.

The KMV-3901/3911 is shipped with the following default settings:

System IP address	192.168.3.31
Network mask	255.255.255.0
Gateway	192.168.3.1

Once the networking parameters are correctly configured on all KMV-3901/3911 cards, it will not be necessary to switch off the Densité frame's power when installing or removing cards.

Note: If the system IP address of the multiviewer has been changed (i.e. it no longer corresponds to the as-shipped configuration), it is still possible to determine the current setting. To determine the IP address of your KMV-3901/3911 multiviewer, see [Finding the System IP Address and Application Version](#), below.

Changing the Multiviewer's IP Address from the Densité Control Panel

IMPORTANT

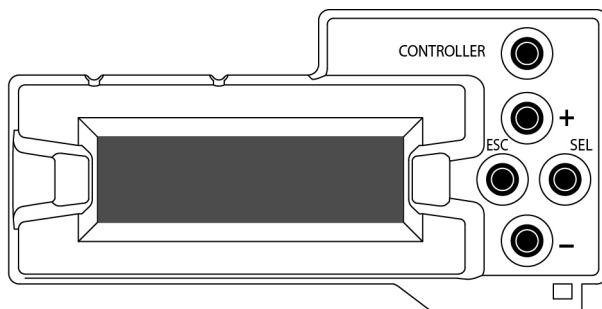
Before changing a KMV-3901/3911 multiviewer's IP address, you must first make sure that the Densité controller's restore-point settings will not prevent you from doing so, and momentarily adjust the controller's settings if needed.

Verifying the Densité Controller's Restore-Point Settings

The Densité CPU-ETH2 controller can keep a restore point for some or all cards in the Densité frame. The controller's configuration includes a *default action* that determines what happens when a card is inserted or restarted. If the default action is set to *update card settings* then, if a restore point for the same model of Densité card is found on the controller card, the controller will automatically apply all parameters from the restore point to the Densité card. In the case of a KMV-3901/3911 card, this would prevent you from changing the card's network settings. To do so, you would need to momentarily set the default action to *keep card settings*.

To verify the restore-point settings, and adjust the default action if needed

- 1 On the Densité frame's local control panel, press the CONTROLLER button.

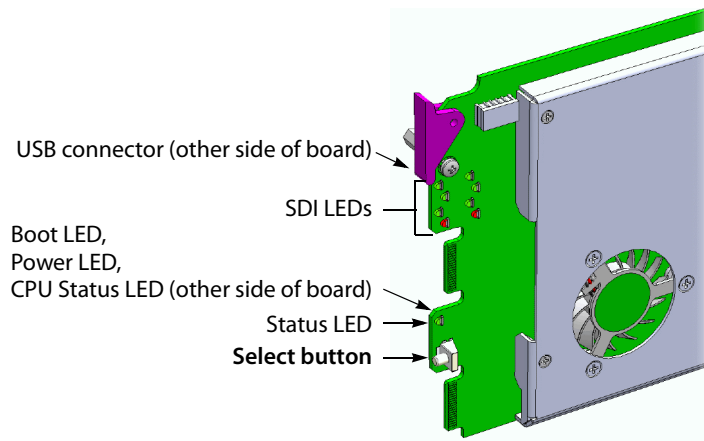


- 2 Press the [-] button repeatedly until RESTORE POINTS appears on the display, and then press the SEL button.
- 3 Press the [-] button repeatedly until DEFAULT ACTION appears on the display, and then press the SEL button.
 - If the control panel's display shows KEEP SETTINGS, then the controller configuration will not prevent you from changing your KMV-3901/3911 card's IP address.
 - If the control panel's display shows UPDATE SETTINGS, navigate to KEEP SETTINGS by pressing the [+] button, and then press the SEL button to apply your change.
- 4 Press the CONTROLLER button to exit the controller's menu.

Changing the Multiviewer's IP Address

To change the IP address of a KMV-3901/3911 multiviewer card

- 1 Press the Select button on the front edge of the KMV-3901/3911 card.

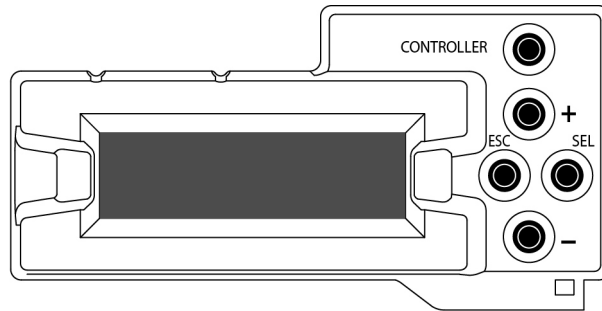


The Status LED on the selected card flashes orange, and the associated control menu appears on the display of the Densité frame's local control panel.

Note: You can navigate the control menu by using the four buttons located beneath the display:

- Press the [+] and [-] buttons, to navigate between menu options or between parameter values.
 - Press SEL to access the next menu level. When a parameter value is shown on the display, modify the value by using the [+] and [-] buttons, and then press SEL to apply the new value.
 - Press ESC to go back to the previous menu level.
 - Once you have completed your changes, press the Select button *on the front edge of the KMV-3901/3911 card* to exit the control menu.
-

- 2 On the local control panel, press the [-] button repeatedly until NETWORK SETTINGS appears on the display, and then press the SEL button:



IP ADDRESS EDIT appears on the control panel's display.

- 3 Press the SEL button again.

The current IP address appears on the display.

- Press the [+] and [-] buttons, to change the current value at the current input position.
- Press SEL to move one position to the right.
- Press ESC to move one position to the left.

Note: Pressing ESC when the input focus is in the first position returns to the previous menu level.

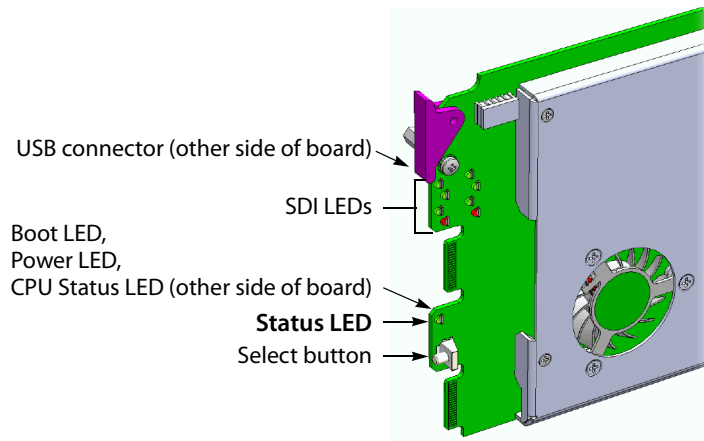
- 4 When the LCD display shows the desired IP address, press SEL to apply your change.
- 5 Press ESC to return to the previous menu level.
IP ADDRESS EDIT appears on the control panel's display.
- 6 Press the [-] button.
NETMASK EDIT appears on the control panel's display.
- 7 Repeat [step 3](#) to [step 5](#) to configure the netmask.
- 8 Once you have set the network mask and navigated back to the previous menu level, press the [-] button again.
DEFAULT GW EDIT appears on the control panel's display.
- 9 Repeat [step 3](#) to [step 5](#) to configure the gateway.
- 10 Once you have set the gateway, press the Select button *on the front edge of the KMV-3901/3911 card* to exit the control menu.

Notes

- If you do not press any button on the Densité frame local control panel, the Densité controller will revert to its normal standby mode, and the selected card's Status LED will revert to its normal operating mode, after 30 seconds.
 - If you changed a parameter from the card's control menu, but have not applied your change (you did not press the SEL button on the local control panel), once the 30-second timeout has occurred, the parameters will be confirmed as if you had pressed the SEL button.
-

The card restarts. The startup sequence takes approximately five minutes, during which time the Status LED is blinking orange. Once the startup has completed, the Status LED should be red (steady) because the card is not connected to the network yet.

- 11 Connect the KMV-3901/3911 card to your Ethernet switch (see [Cabling Diagram](#), on page 8).
- 12 Check the card's Status LED again, and make sure that it does not indicate an error condition (see table below).



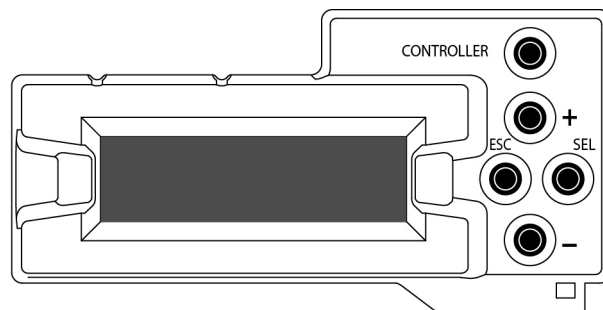
Green	Blinking orange	Red	Blinking red
Normal	Booting (or the card is selected for local control)	No Ethernet / SD card error	Fan failure / no rear / duplicate IP address

If the Status LED indicates an error condition, refer to your multiviewer's Guide to Installation and Operation to find out what the other LEDs might be indicating.

- 13 Verify that the new IP address is effective, by referring to [Finding the System IP Address and Application Version](#), on page 13.

At this point, it is recommended to back up the new configuration to the controller's non-volatile memory by saving a *restore point*.

- 14 On the Densité frame's local control panel, press the CONTROLLER button.



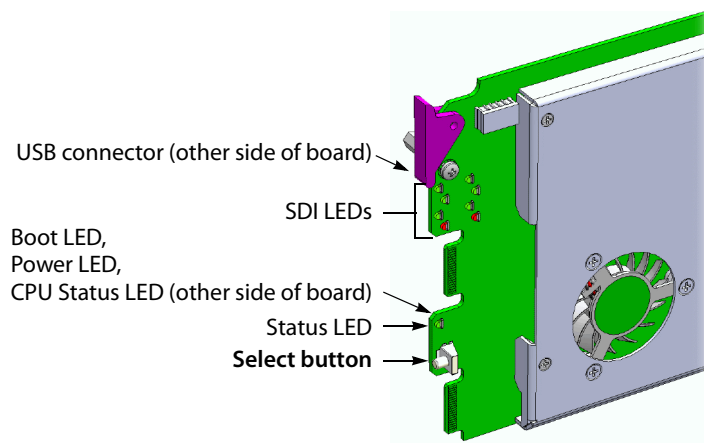
- 15 Press the [-] button repeatedly until RESTORE POINTS appears on the display, and then press the SEL button.
- 16 Press the [-] button repeatedly until SAVE A CARD appears on the display, and then press the SEL button.

- 17 Press the [-] button repeatedly until CARD # N—where N matches the slot number for the KMV-3901/3911 card whose configuration you wish to save—appears on the display, and then press the SEL button.
- 18 If you had to change the Densité controller's default action from *update settings* to *keep settings* in order to configure your card's network settings, then refer to [Verifying the Densité Controller's Restore-Point Settings](#), on page 9 again, to revert the default action to *update settings*.

Finding the System IP Address and Application Version

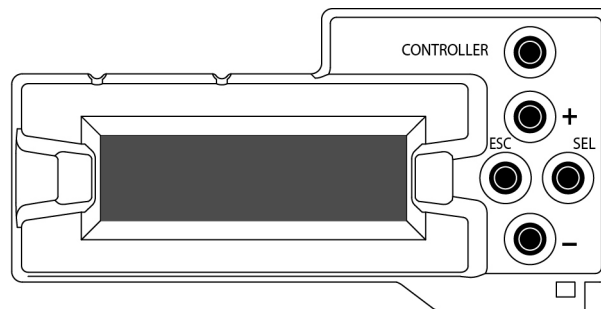
To find the system IP address and application version

- 1 Press the Select button on the front edge of the KMV-3901/3911 card.



The Status LED on the selected card flashes orange, and the associated control menu appears on the display of the Densité frame's local control panel.

- 2 On the local control panel, press the [-] button.
The version of the Kaleido-X Software that is running on the card (e.g. "5.00-build.21") appears on the display.
- 3 On the local control panel, press the [-] button repeatedly until NETWORK SETTINGS appears on the display, and then press the SEL button:



IP ADDRESS EDIT appears on the control panel's display.

- 4 Press the SEL button again.
The current IP address appears on the display.
- 5 Press the Select button *on the front edge of the KMV-3901/3911 card* to exit the control menu.

Using the Kaleido-RCP2 with Default Settings

Note: The Kaleido-RCP2 unit is optional and is not included in the standard KMV-3901/3911 package.

To start using the Kaleido-RCP2 with its default settings

- 1 Physically connect the Kaleido-RCP2 unit to the network using an Ethernet cable (see [Cabling Diagram](#), on page 8).

By default, the Kaleido-RCP2 is configured with DHCP enabled, so it will automatically be assigned an IP address by a DHCP server. If no DHCP server can be found, the Kaleido-RCP2 will fall back to its default static IP address, subnet mask, and gateway settings:

Default IP address	10.0.3.191
Default subnet mask	255.255.0.0
Default gateway	0.0.0.0

Notes

- If you need to operate with a fixed IP address, you must use the Configuration menu to disable DHCP and set up the correct IP address, Network Mask, and Gateway (see the “Enabling or Disabling DHCP” and “Setting an IP Address, Subnet Mask and Gateway” sections in the *Kaleido-RCP2 Guide to Installation and Operation*, available on the DVD that shipped with your system.)
- To access rooms located in other subnets, the Kaleido-RCP2 must be configured with the appropriate unicast IP addresses (see the “Configuring Unicast IP Addresses” section in the *Kaleido-RCP2 Guide to Installation and Operation*, available on the DVD that shipped with your system.)

- 2 On the Kaleido-RCP2 unit, press the ENTER button and hold it until the ESC button lights up.

The following message appears on the LCD display:

Configuration
ROOM SELECTION

- 3 Press ENTER again to obtain the room list from the multiviewers that are currently available on the network.
The message **ROOM Select** followed by the name of the first room available appears on the LCD display.
- 4 Press the **2** key (to move up in the list) or the **8** key (to move down the list) until **Room 1** is displayed.
- 5 Press ENTER, and then press ESC to exit the configuration menu.
- 6 Press the LOGIN button.

The following message appears on the LCD display:

LOGIN Position

Admin

- 7 Press ENTER to log on to your system as "Admin".

A message prompting you for a password appears on the LCD display.


- 8 Press ENTER again (by default, there is no password).

The message "Access granted" will appear on the LCD display if the login is successful. If a mouse is connected to the Kaleido-RCP2, then you should be able to see and move the mouse pointer on the monitor wall.

- 9 Press any of the LAYOUT PRESETS buttons to load a predefined layout on the monitor wall.

If your system was configured prior to shipment, then a layout will appear on all displays. Otherwise, a gray screen will appear with the following message in the middle:

"No layout has been assigned to this room. Please load a layout."



No layout has been assigned to this room. Please load a layout.

Note: To access other layouts, press the LOAD button. To assign a layout to a preset button, press and hold the button for more than six seconds while the desired layout is showing on the monitor wall.

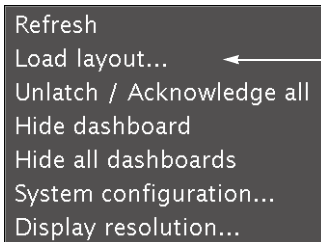
Loading a Layout

To load a layout on the monitor wall

- 1 Connect a mouse to the Kaleido-RCP2 (if available) and log on to the KMV-3901/3911 from the Kaleido-RCP2, if you have not already done so (see [Using the Kaleido-RCP2 with Default Settings](#), on page 14).

Alternatively, connect the mouse directly to the USB port at the front of the KMV-3901/3911 card.

- 2 Right-click anywhere on the monitor wall, point to **Monitor wall** (if you clicked a monitor), and then click **Load layout** on the shortcut menu.



Monitor wall shortcut menu

A layout browser appears on the displays associated with the current room.

- 3 Select the layout you wish to load from the list of available layouts for this room, and then click **OK**.

The selected layout appears on the room displays.

Configuring a Client PC

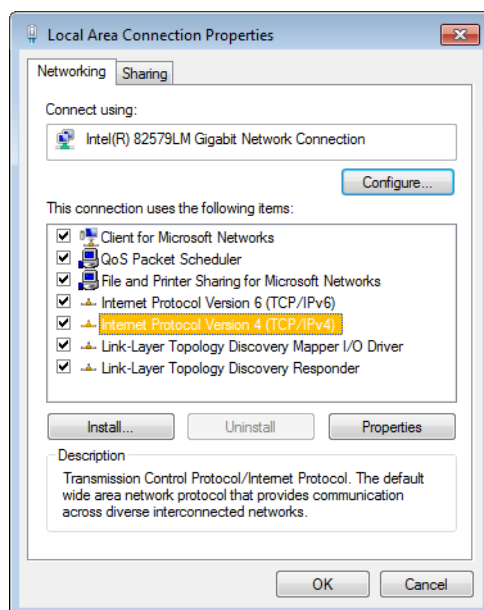
The client PC that you will use to communicate with the KVM-3901/3911 multiviewer (via XAdmin and XEdit) and the multiviewer itself must have IP addresses within the same subnet. The following procedure applies to a typical Windows 7 or Windows 8 system. For Windows XP, see [Changing an IP Address on Windows XP](#), on page 17.

Changing an IP Address on Windows 7 or Windows 8

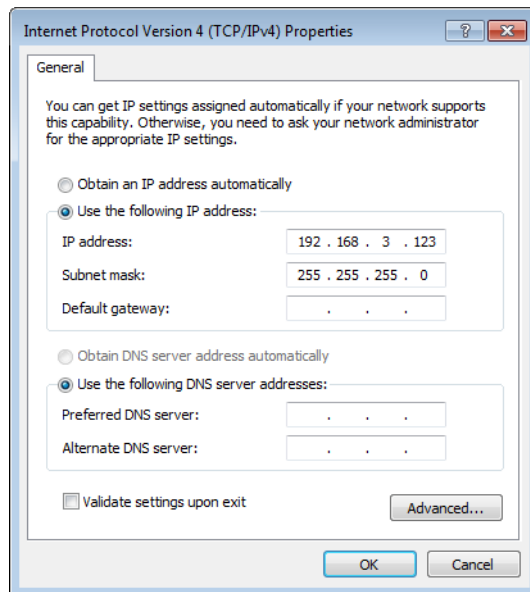
To change the IP address of a client PC that has Windows 7 or Windows 8

- 1 Press the Windows key on your keyboard, type “control panel” and then press Enter.
- 2 In the search box, type “adapter”, and then, under **Network and Sharing Center**, click **View network connections**.
- 3 In **Network Connections**, right-click the network adapter you wish to configure (e.g., *Local Area Connection*, or *Ethernet*), and then click **Properties**. If the system prompts you for an administrator password or confirmation, type the password or provide confirmation.

The Properties window for the selected network adapter opens.



- 4 On the **Networking** tab, under **This connection uses the following items**, click **Internet Protocol Version 4 (TCP/IPv4)**, and then click **Properties**.
The **Internet Protocol Version 4 (TCP/IPv4) Properties** window opens.
- 5 On the **General** tab, click **Use the following IP address**.



- 6 Type an IP address in the same range as the multiviewer's current IP address.
For example, if the multiviewer's IP address is 192.168.3.31, then the IP address of your client PC could be 192.168.3.123. If you are unsure, contact your network administrator.
- 7 Type a subnet mask in the same range as that of the multiviewer.
- 8 Click **OK**.
- 9 In **Local Area Connection Properties**, click **Close**.

Changing an IP Address on Windows XP

To change the IP address of a client PC that has Windows XP

- 1 On the **Start** menu, point to **Control Panel**, right-click **Network Connections**, and then click **Open** on the menu.
- 2 In **Network Connections**, right-click **Local Area Connection**, and then click **Properties** on the shortcut menu.
- 3 In **Local Area connection Properties**, select **Internet Protocol (TCP/IP)** from the list on the **General** tab, and then click **Properties**.
The **Internet Protocol (TCP/IP) Properties** window opens.
- 4 On the **General** tab, click **Use the following IP address**.
- 5 Type an IP address in the same range as the multiviewer's current IP address.
For example, if the multiviewer's IP address is 10.0.3.70, then the IP address of your client PC could be 10.0.3.123. If you are unsure, contact your network administrator.
- 6 Type a subnet mask in the same range as that of the multiviewer.
- 7 Click **OK**.
- 8 In **Local Area Connection Properties**, click **Close**.

Step 3: XEdit Installation

XEdit is a client application used to create layouts for the monitor wall, and to configure your multiviewer system, from your PC or laptop. When the computer with XEdit is connected to the multiviewer through a TCP/IP network, you can use XEdit to modify layouts and settings directly on the multiviewer, or you can work locally on the computer and then export your changes to the multiviewer.

To install XEdit from your multiviewer's home page

- 1 From a workstation on the same subnet as the multiviewer, open a Web browser window and type the multiviewer's IP address in the address bar.

The multiviewer's home page appears.



- 2 Click the **XEdit** button.

The browser prompts you to save an executable file to your hard drive (Kaleido-windows32-online.exe²). This file is an online installer, which will download XEdit and other companion elements from your multiviewer, and install them. Some browsers may allow you to run the file directly. Depending on your browser's security features, warnings may appear, which you may safely dismiss.

- 3 Unless your browser let you run the file (and you chose to do so), navigate to the location where you saved the installer file and open it.


More security warnings or prompts may appear, which you may safely dismiss or accept.

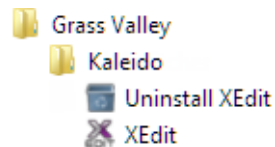
A window appears, showing the download and installation progress.

²Installers for Linux or Mac OS X are not yet available.

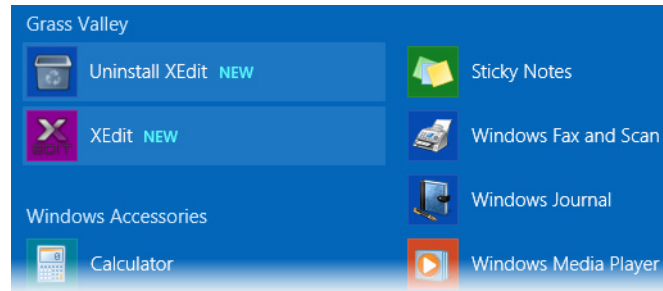


At the end of the installation process:

- If you have Windows 7, or Windows XP, shortcuts () are added to your desktop and to the Start menu (under **All Programs**).



- If you have Windows 8.1, or Windows 8, XEdit will appear on your desktop, in the Apps view with all the other applications on your PC (Windows 8.1), or in your Start screen (Windows 8).



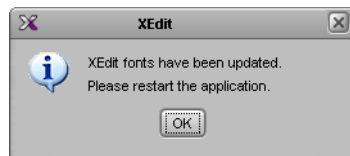
Once the installation has completed, the XEdit startup screen appears.



Depending on your Windows Firewall settings, a security alert may appear.

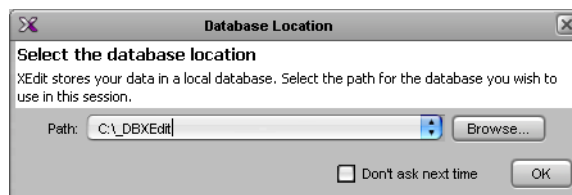
- Click **Allow** access to unblock the application.

If XEdit cannot find all of the fonts it needs already on your PC or laptop, it downloads them from the multiviewer automatically, in which case a message will appear to confirm the font update, and instruct you to restart the application.

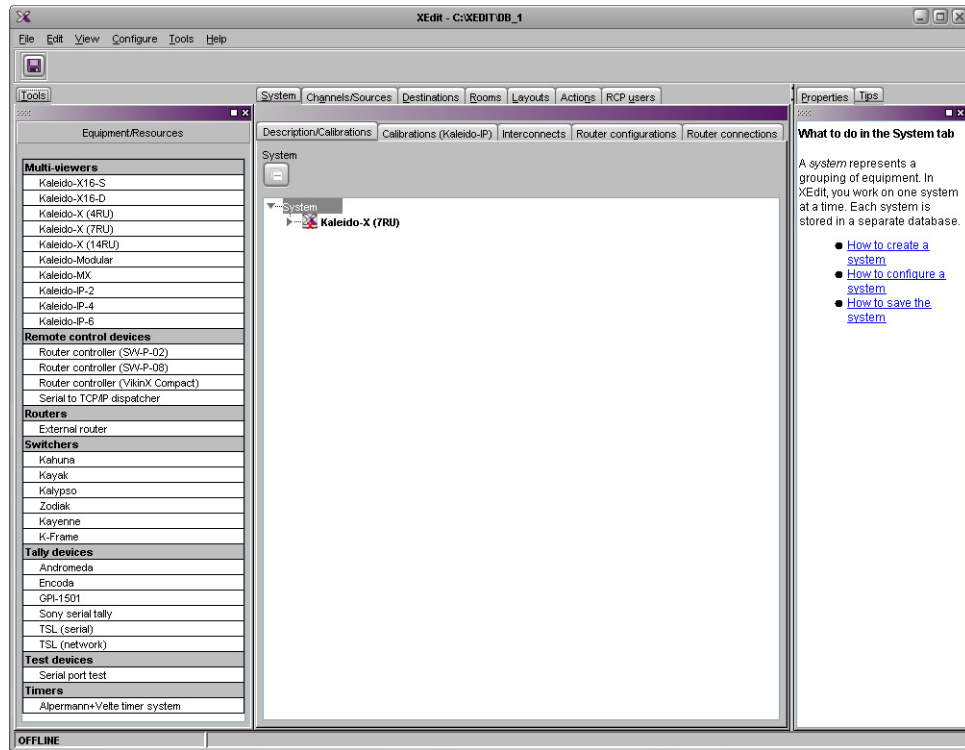



- Click **OK** to continue, and then open XEdit again, by using the shortcut on your desktop, in your Apps view (Windows 8.1) or Start screen (Windows 8), or from the Start menu (Windows 7, Windows XP).

- 4 When prompted to specify a database, choose one from the **Path** list, or click **Browse** to navigate to the database you wish to use as your local workspace, and then click **OK**.



Once the database has completed loading, XEdit's main application window appears.



Note: Once it has been installed from the multiviewer, XEdit remains on your PC or laptop, and can be launched from the  shortcut that was added to your desktop, Apps view, or Start screen (see [page 19](#)), or from the Start menu. Whenever you install a new version of the Kaleido-X software on the multiviewer, the next time you open XEdit, your installed copy of the application will be automatically updated from the multiviewer.

For more information about calibrating your system, configuring rooms, creating layouts, and operating the monitor wall, refer to the *Kaleido-X User's Manual*, available on the DVD that shipped with your system, and from the Documentation Library section of Grass Valley's website.



Grass Valley Technical Support

For technical assistance, contact our international support center, at 1-800-547-8949 (US and Canada) or +1 530 478 4148.

To obtain a local phone number for the support center nearest you, please consult the Contact Us section of Grass Valley's website (www.grassvalley.com).

An online form for e-mail contact is also available from the website.

Corporate Head Office

Grass Valley
3499 Douglas-B.-Floreani
St-Laurent, Quebec H4S 2C6
Canada
Telephone: +1 514 333 1772
Fax: +1 514 333 9828
www.grassvalley.com