

# Kalypso HD/Duo

VIDEO PRODUCTION CENTER

## Installation and Service Manual

A diagram consisting of a vertical line with an upward-pointing arrow and a horizontal line with a rightward-pointing arrow, intersecting at a small red circle.

SOFTWARE VERSION 12.0

071821807  
SEPTEMBER 2006



Affiliate with the N.V. KEMA in The Netherlands

# CERTIFICATE

Certificate Number: 510040.001

The Quality System of:

## Grass Valley, Inc.

400 Providence Mine Road  
Nevada City, CA 95945  
United States

15655 SW Greystone Ct.  
Beaverton, OR 97006  
United States

10 Presidential Way  
3<sup>rd</sup> Floor, Suite 300  
Woburn, MA 01801  
United States

Nederland B.V.  
4800 RP BREDA  
The Netherlands

Weierstadt, Germany  
Brunnenweg 9  
D-64331 Weierstadt  
Germany

Rennes, France  
Rue du Clos Courtel  
Cesson-Sevigne, Cedex  
France

Technopole Brest Iroise  
CS 73808  
29238 Brest Cedex 3  
France

17 rue du Petit Albi-BP 8244  
95801 Cergy Pontoise  
Cergy, France

2300 South Decker Lake Blvd.  
Salt Lake City, UT 84119  
United States

7140 Baymeadows Way  
Suite 101  
Jacksonville, FL 32256  
United States

Including its implementation, meets the requirements of the standard:

## ISO 9001:2000

Scope:

The design, manufacture and support of video hardware and software products and related systems.

This Certificate is valid until: June 14, 2009  
This Certificate is valid as of: August 30, 2006  
Certified for the first time: June 14, 2000

H. Pierre Sallé  
President  
KEMA-Registered Quality

The method of operation for quality certification is defined in the KEMA General Terms And Conditions For Quality And Environmental Management Systems Certifications. Integral publication of this certificate is allowed.

**KEMA-Registered Quality, Inc.**  
4377 County Line Road  
Chalfont, PA 18914  
Ph: (215)997-4519  
Fax: (215)997-3809

CRT 001 073004

Accredited By:  
ANAB



# Kalypso HD/Duo

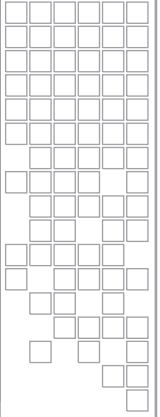
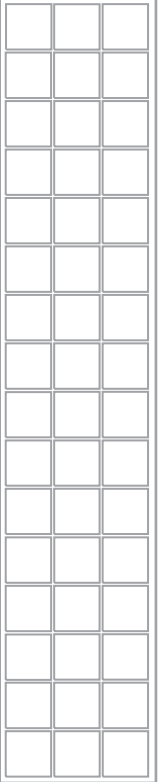
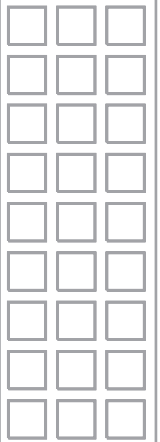
VIDEO PRODUCTION CENTER

## Installation and Service Manual



SOFTWARE VERSION 12.0

071821807  
SEPTEMBER 2006



# Contacting Grass Valley

Region	Voice	Fax	Address	Web Site
North America	(800) 547-8949 Support: 530-478-4148	Sales: (530) 478-3347 Support: (530) 478-3181	Grass Valley P.O. Box 599000 Nevada City, CA 95959-7900 USA	www.thomsongrassvalley.com
Pacific Operations	+852-2585-6688 Support: 852-2585-6579	+852-2802-2996		
U.K., Asia, Middle East	+44 1753 218 777	+44 1753 218 757		
France	+33 1 45 29 73 00			
Germany, Europe	+49 6150 104 782	+49 6150 104 223		

Copyright © Grass Valley. All rights reserved.

## Grass Valley Web Site

The [www.thomsongrassvalley.com](http://www.thomsongrassvalley.com) web site offers the following:

**Online User Documentation** — Current versions of product catalogs, brochures, data sheets, ordering guides, planning guides, manuals, and release notes in .pdf format can be downloaded.

**FAQ Database** — Solutions to problems and troubleshooting efforts can be found by searching our Frequently Asked Questions (FAQ) database.

**Software Downloads** — Software updates, drivers, and patches can be downloaded.



## END-OF-LIFE PRODUCT RECYCLING NOTICE

Grass Valley's innovation and excellence in product design also extends to the programs we've established to manage the recycling of our products. Grass Valley has developed a comprehensive end-of-life product take back program for recycle or disposal of end-of-life products. Our program meets the requirements of the European Union's WEEE Directive, the United States Environmental Protection Agency, and U.S. state and local agencies.

Grass Valley's end-of-life product take back program assures proper disposal by use of Best Available Technology. This program accepts any Grass Valley branded equipment. Upon request, a Certificate of Recycling or a Certificate of Destruction, depending on the ultimate disposition of the product, can be sent to the requester.

Grass Valley will be responsible for all costs associated with recycling and disposal, including freight. However, you are responsible for the removal of the equipment from your facility and packing the equipment to make it ready for pickup.



For further information on the Grass Valley product take back system please contact Grass Valley at + 800 80 80 20 20 or +33 1 48 25 20 20 from most other countries. In the U.S. and Canada please call 800-547-8949 or 530-478-4148, and ask to be connected to the EH&S Department. Additional information concerning the program can be found at: [www.thomsongrassvalley.com/environment](http://www.thomsongrassvalley.com/environment)



# Contents

<b>Preface</b> .....	15
About This Manual.....	15
Standard Documentation Set.....	15
Other Documentation.....	16
<b>Regulatory Notices</b>	
Certifications and Compliances.....	17
FCC Emission Control.....	17
Canadian EMC Notice of Compliance.....	17
EN55103-1/2 Class A Warning.....	18
Safety Certifications.....	18
<b>Safety Summary</b>	
Safety Terms and Symbols.....	19
Terms in This Manual.....	19
Terms on the Product.....	19
Symbols on the Product.....	20
Warnings.....	20
Cautions.....	21
<b>Section 1 — System Overview</b> .....	23
Introduction.....	23
Features.....	23
4-M/E Kalypso HD System Standard Features.....	23
4-M/E Kalypso HD System Options.....	24
2-M/E Kalypso HD System Standard Features.....	25
2-M/E Kalypso HD System Options.....	25
Kalypso Duo Features and Options.....	25
External Interfaces Supported.....	26
System Components.....	26
Control Surface.....	27
4-M/E Kalypso HD System.....	29
4-M/E Main Panel.....	29
Menu Panel.....	30
Local Aux Panel.....	32
Removable Media Drives.....	33
2-M/E Kalypso HD System.....	34
2-M/E Main Panel.....	34
1-M/E Main Panel.....	36
Control Panel Options.....	38
Remote Aux Panels.....	38
Shot Box Option.....	40
Kalypso HD Video Processor Frame.....	41
Kalypso Video Processor Power Supply.....	43
Video Processor Frame Options.....	44

Still Store Option . . . . .	44
Transform Engine Option . . . . .	44
Kalypso Facility Example . . . . .	45
Functional Overview . . . . .	46
Video Signal Flow . . . . .	46
Kalypso HD System Control . . . . .	48

**Section 2 — Installation . . . . . 51**

Pre-Installation Procedures . . . . .	51
System Survey . . . . .	51
Line Voltage . . . . .	51
Required Tools . . . . .	51
Customer Supplied Equipment . . . . .	52
Safety Requirements . . . . .	52
Installation Tasks . . . . .	52
Bench Test . . . . .	53
Materials Required . . . . .	53
Bench Test Procedure . . . . .	54
Bench Ethernet Configuration . . . . .	61
Video Processor Frame Installation . . . . .	62
Air Filter Inspection and Cleaning . . . . .	63
4-M/E Video Processor Frame . . . . .	64
2-M/E Video Processor Frame . . . . .	65
Video Processor Pinouts . . . . .	66
DC Input . . . . .	66
Timecode Port . . . . .	66
Diagnostic Port . . . . .	67
CPL Port . . . . .	67
Serial Ports . . . . .	68
GPI Inputs . . . . .	69
GPI Outputs . . . . .	70
Tally . . . . .	71
Video Processor Options . . . . .	72
Module Insertion . . . . .	72
Module Removal . . . . .	72
Kalypso HD KlipCache Option Hardware Installation . . . . .	73
Kalypso Video Processor Power Supply Installation . . . . .	74
Video Processor Redundant Power Supply Installation . . . . .	75
Video Processor Power Supply Pinouts . . . . .	76
Main Panel Installation . . . . .	76
Cosmetic Bracket . . . . .	78
4-M/E Main Panel . . . . .	79
2-M/E Main Panel . . . . .	81
1-M/E Main Panel . . . . .	82
1-M/E Main Panel Cabling . . . . .	84
Main Panel Pinouts . . . . .	85
Main Panel Options . . . . .	85
Source Name Display Installation . . . . .	85
Preparation . . . . .	85
Installation . . . . .	86
Main Panel Redundant Power Supply . . . . .	87
Remote Aux Panel Types . . . . .	87
32-Crosspoint Remote Aux Panels . . . . .	88

32-Crosspoint Remote Aux Panel Connections . . . . .	88
LAN . . . . .	88
Joystick Override Connector . . . . .	89
AC Power . . . . .	89
24-Crosspoint Remote Aux Panels . . . . .	90
Remote Aux Connections . . . . .	90
Rear Panel Switch Settings . . . . .	91
Joystick Override Connector . . . . .	92
Communications Bus . . . . .	93
Power Supply . . . . .	94
Shot Box . . . . .	94
Installation . . . . .	94
Standard Cabling . . . . .	96
Satellite Panel Extension Kit . . . . .	97
Menu Panel Installation . . . . .	97
Menu Panel Ventilation . . . . .	98
Recommended Mounting Location . . . . .	98
Available Mounting Brackets . . . . .	99
Adaptable Mounting Bracket . . . . .	99
Adjustable Freestanding Console Bracket . . . . .	101
Flush Mount Kit . . . . .	102
Power Cabling . . . . .	105
Mouse and Keyboard Connections . . . . .	105
Cross Over Button . . . . .	105
Menu Panel Pinouts . . . . .	105
Removable Media Drives . . . . .	106
USB Memory Stick . . . . .	106
Zip Drive (Earlier Kalypso Systems) . . . . .	106
Optional External CD-ROM Drive . . . . .	106
Additional Touch Screen Display Option . . . . .	106
Installation and Configuration . . . . .	106
Kalypso System Control Via PC . . . . .	108
PC Requirements . . . . .	108
Hardware Installation . . . . .	108
Software Installation . . . . .	109
Configuration . . . . .	109
Do Not Use Large Fonts with Menu on PC . . . . .	109
Operation . . . . .	109
Menu on PC Knobs . . . . .	110
Local Aux Panel Installation . . . . .	111
Emergency Bypass Option . . . . .	113
Kalypso System Cabling . . . . .	114
Control Cabling . . . . .	114
Cables Provided . . . . .	115
LAN Requirements . . . . .	116
Video Cabling . . . . .	119
Inputs . . . . .	119
Outputs . . . . .	119
Kalypso Video Timing and Delay . . . . .	120
Timing Analyzer . . . . .	121
Time Zones and the Autotiming Window . . . . .	122
Early Model Kalypso System Installation . . . . .	124
Original Menu Panel Installation . . . . .	124
Removable Media Drives . . . . .	126

Termination . . . . .	127
SCSI ID . . . . .	127
Original Kalypso Video Processor Power Supply Installation . . . . .	128
Video Processor Redundant Power Supply Installation. . . . .	129
Video Processor Power Supply Pinouts . . . . .	130

**Section 3 — Configuration . . . . . 131**

Introduction. . . . .	131
Configuration Steps . . . . .	131
System Power Up and Initialization . . . . .	131
Power and Initialization Indications . . . . .	132
IP Addresses . . . . .	134
Connecting to an Existing Network. . . . .	134
Default IP Addresses . . . . .	134
Profile/OmniBus . . . . .	136
Changing Video Processor IP Address . . . . .	136
Network Web Browser Method . . . . .	136
Serial Port and Terminal Method . . . . .	137
Video Processor Frame Temporary Default IP Address. . . . .	139
Changing 4-M/E and 2-M/E Main Panel IP Address . . . . .	140
Changing 1-M/E Main Panel IP Addresses . . . . .	141
Changing Menu Panel IP Address. . . . .	142
Enhanced Menu Panel . . . . .	142
Original Menu Panel. . . . .	143
Other IP Address Entry on Menu Panel . . . . .	144
Changing Local Aux Panel IP Address. . . . .	144
Setting Still Store Option IP Address. . . . .	144
Setting 32-Crosspoint Remote Aux Panel IP Address. . . . .	145
Default IP Address . . . . .	145
Setting the IP Address . . . . .	145
Restoring the Default IP Address. . . . .	148
Setting Network Addresses Manually . . . . .	148
Gateway IP Address. . . . .	148
Setting Gateway IP Addresses . . . . .	149
Engineering Setups . . . . .	149
Engineer Login and Security. . . . .	150
Security Account Setup . . . . .	150
EIC Login . . . . .	151
EIC Login Shortcut . . . . .	153
Wait Time for NV Memory Update. . . . .	154
Source Definition . . . . .	154
Direct Source Definition. . . . .	156
Source Names and Source Patching. . . . .	156
Source Patching. . . . .	159
External Device Source Definition . . . . .	159
Button Mapping . . . . .	159
Output Assignments . . . . .	159
Default Output Assignments . . . . .	161
Output Assignments Menu . . . . .	162
Aux Bus Configuration . . . . .	163
Remote Aux Panel Configuration . . . . .	166
Select Serial Port (Only Serial Remote Aux Panels). . . . .	167
Identify Remote Aux Panels . . . . .	167



Remote Aux Panel Button Mapping . . . . .	168
Joystick Override . . . . .	169
Configuration Files and Remote Aux Panels. . . . .	170
Port & Device Definition Menu. . . . .	171
Tally Configuration. . . . .	172
About Tally Systems . . . . .	172
Tally Calculation Definition Menu . . . . .	173
Tally Relays. . . . .	180
Sync/Timing Menu. . . . .	183
Sync Ref. . . . .	183
Timing Analyzer . . . . .	183
Sync Ref Select Pane . . . . .	184
Force SF Button . . . . .	184
To Change the Kalypso System Operating Mode. . . . .	184
Test Patterns Menu . . . . .	186
Other Engineering Setups . . . . .	186
Save Engineering Setups . . . . .	187
To Save Engineering Setups to Removable Media: . . . . .	187
To Load an Engineering Setup File from Removable Media: . . . . .	188
Daily Setups . . . . .	189
Resource Sharing. . . . .	190
Introduction . . . . .	190
Collaborative Resource Sharing. . . . .	190
Independent Resource Sharing . . . . .	191
Suite . . . . .	192
Control Surface. . . . .	193
Desired Resources . . . . .	193
Logical Aux Buses . . . . .	194
Remote Aux Panels . . . . .	194
External Control Points. . . . .	194
Setting Up Resource Sharing . . . . .	195
Preparation . . . . .	195
General Procedure . . . . .	195
Login to Another Control Surface or Suite . . . . .	202
Engineering Setup Recommendations . . . . .	202
Restrict Eng Setup Changes . . . . .	202
Do Not Change the Suite Operating Mode . . . . .	202
Eng Setups Only Load Into Same Suite Mode. . . . .	203
Enhanced Network Security. . . . .	203
Main Panel Adjustments . . . . .	203
4-M/E and 2-M/E Main Panels . . . . .	204
Source Name Display Contrast Adjustment . . . . .	204
Lever Arm and Joystick Calibration . . . . .	204
Speaker Volume Adjustment. . . . .	205
1-M/E Main Panel. . . . .	205
Source Name Display Contrast Adjustment . . . . .	205
Lever Arm and Joystick Calibration . . . . .	206
Local Aux Panel Adjustments. . . . .	206
Source Name Display Contrast Adjustment . . . . .	206
Menu Panel Display Calibration. . . . .	207
Enhanced Menu Panel . . . . .	207
Touchscreen Calibration. . . . .	207
Display Settings . . . . .	207
Refresh Frequency Adjustment. . . . .	207

Original Menu Panel . . . . .	208
Touchscreen Calibration . . . . .	208
Panel Display Adjustments . . . . .	208
Windows NT Accounts . . . . .	209

**Section 4 — Maintenance . . . . . 211**

Introduction. . . . .	211
Servicing Precautions. . . . .	211
Tools Required . . . . .	211
Troubleshooting and Diagnostics . . . . .	211
Grass Valley Customer Service FAQ Database . . . . .	212
Grass Valley Web site. . . . .	212
Web Browser Access to Kalypso Components. . . . .	212
Frame Software Diagnostics Tools . . . . .	213
Diagnostics Data File Transfer . . . . .	213
Diagnostics Data Collection. . . . .	214
Video Processor Frame Maintenance . . . . .	216
Video Processor Frame Air Filter . . . . .	216
Removing and Replacing Frame Modules . . . . .	217
Field Upgrading of Frame Modules. . . . .	217
Frame Recovery Procedure . . . . .	217
Kalypso HD/Duo Still Store Recovery . . . . .	219
Save Files to Menu Panel . . . . .	219
Reformat Still Store Hard Drive . . . . .	220
Reinstall Still Store Software . . . . .	220
Verify Overall System Operation . . . . .	220
Video Processor Power Supply Maintenance . . . . .	221
Original Video Processor Power Supply Maintenance . . . . .	221
Main Panel Maintenance. . . . .	222
Cleaning Control Panel Surfaces . . . . .	222
Replacing Main Panel Modules . . . . .	222
Main Panel Fuse Replacement . . . . .	223
Main Panel Disk-On-Chip and Hard Drive Maintenance . . . . .	225
Drive Types . . . . .	225
Main Panel RT Processor Disk-On-Chip Replacement . . . . .	225
Main Panel RT Hard Drive Replacement . . . . .	226
Original Menu Panel Hard Drive Replacement . . . . .	227
Real Time Processor Interface Assembly Replacement . . . . .	228
2-M/E Main Panel Local Aux Processor Interface Board Replacement. . . . .	231
Main Panel Power Supply Replacement. . . . .	234
Power Distribution Board Replacement . . . . .	237
Main Panel Troubleshooting. . . . .	240
Basic Functionality Checks . . . . .	240
Main Panel Diagnostics . . . . .	250
Local Aux Panel Maintenance . . . . .	254
Local Aux Panel . . . . .	254
Basic Functionality Checks . . . . .	254
Local Aux Panel Diagnostics. . . . .	255
24-Crosspoint Remote Aux Panel. . . . .	258
Diagnostic Tests. . . . .	258
Using the Test Mode Switches . . . . .	258
Tests Using the Front Panel Switches . . . . .	258
Menu Panel Maintenance . . . . .	259

Basic Functionality Checks . . . . .	259
Menu Panel Touch Screen Calibration . . . . .	260
Original Menu Panel Diagnostics . . . . .	260
Button Lamp Replacement . . . . .	261
Main and Local Aux Panel Procedure . . . . .	261
24-Crosspoint Remote Aux Panel Procedure . . . . .	263
32-Crosspoint Remote Aux Panel . . . . .	263
Button Labeling . . . . .	264
Specifications . . . . .	264
Button Label Replacement . . . . .	265
Large and Small Kalypso Button Procedure . . . . .	266
32-Crosspoint Aux Panel Button Procedure . . . . .	267
24-Crosspoint Aux Panel Button Procedure . . . . .	268
Software Installation . . . . .	268
Boot Dial Switch . . . . .	269
Main Panel Configuration Switches . . . . .	269
Clear NV Memory Procedure . . . . .	270
Software Option Authorization . . . . .	272
Introduction . . . . .	272
Authorization Codes . . . . .	272
Expiration Dates . . . . .	273
Authorization Procedure . . . . .	273
Hardware Reset Procedures . . . . .	275
Video Processor Frame Reset . . . . .	275
Local Aux Panel Reset . . . . .	276
Late Model Main Panel Reset . . . . .	277
Enhanced Menu Panel Reset . . . . .	278
Early Model Main Panel and Original Menu Panel Reset . . . . .	279
Local Area Network Troubleshooting . . . . .	281
Verify Physical Layer . . . . .	281
Verify IP Addressing . . . . .	281
Ping Network Devices . . . . .	281
NetCentral Support . . . . .	282
NetCentral Capabilities . . . . .	282
Kalypso NetCentral Option Installation . . . . .	283
Install Agent on Kalypso System . . . . .	283
Net Central Monitoring Station Configuration . . . . .	283
<b>Appendix A — Specifications . . . . .</b>	<b>285</b>
<b>Appendix B — Field Replaceable Units . . . . .</b>	<b>289</b>
<b>Appendix C — External Interfaces . . . . .</b>	<b>293</b>
Introduction . . . . .	293
General External Device Interfacing . . . . .	293
Device Definition . . . . .	294
Port & Device Definition Menus . . . . .	295
Standard Device Definition Objects . . . . .	295
GPI Out Device Configuration Menu . . . . .	296
Editor Device Configuration Menu . . . . .	297
Other Standard Device Configuration Menus . . . . .	297

Port Configuration Menu . . . . .	298
New Device Definition Objects . . . . .	299
DDR Device Definition Menu . . . . .	300
VTR Device Definition Menu . . . . .	301
DPM Device Definition Menu . . . . .	303
PBus Device Definition Menu . . . . .	304
Effects Send Main Panel Controls . . . . .	305
Effects Send Delegation . . . . .	306
Krystal DPM . . . . .	307
CPL Interface . . . . .	307
Krystal Combiner Requirements . . . . .	307
Control Interface Cabling . . . . .	307
Video Cabling . . . . .	307
Krystal DPM Inputs . . . . .	307
Krystal DPM Outputs . . . . .	308
Kalypso Required Settings . . . . .	308
E-MEM Level Groups . . . . .	309
Source Number Mapping . . . . .	309
Krystal Required Settings . . . . .	310
Interface Operation Test . . . . .	310
GVeous Digital Effects System . . . . .	311
Interface . . . . .	311
GVeous Requirements . . . . .	311
Control Interface Cabling . . . . .	311
Video Cabling . . . . .	311
Source Number Mapping . . . . .	312
Kalypso Required Settings . . . . .	313
E-MEM Level Groups . . . . .	313
GVeous Required Settings . . . . .	313
Profile VDR . . . . .	314
Direct Serial Control . . . . .	314
BVW-75 Protocol . . . . .	314
Odetics Protocol . . . . .	314
AMP Serial Protocol . . . . .	314
Serial Device Control Configuration . . . . .	315
AMP Ethernet Control . . . . .	315
Profile Model Support . . . . .	315
Profile Amp Ethernet Configuration . . . . .	315
Kalypso AMP Ethernet Configuration . . . . .	316
AMP Protocol (Ethernet or Serial) Control Capabilities . . . . .	316
Encore Control of Profile VDRs . . . . .	317
Interface . . . . .	317
VTR Control . . . . .	319
Direct Serial Control . . . . .	319
Encore Control of VTRs . . . . .	319
Introduction . . . . .	319
Interface . . . . .	320
Peripheral Bus II . . . . .	321
Introduction . . . . .	321
Kalypso System Peripheral Bus II Configuration and Operation . . . . .	321
Kalypso Control Interface Cabling . . . . .	321
Kalypso Communication Settings . . . . .	321
E-MEM Level Groups . . . . .	321
Peripheral Bus II Triggers . . . . .	322

- Krystal and GVeous Peripheral Bus II Control . . . . . 323
  - Configuration . . . . . 323
  - Peripheral Bus II Triggers . . . . . 324
  - GVeous Limitations . . . . . 324
- Kaleidoscope Peripheral Bus II Control . . . . . 324
  - Capabilities . . . . . 324
  - Kaleidoscope Peripheral Bus II Control . . . . . 324
- Lance Design TDC-100 Controller Peripheral Bus II Control . . . . . 325
  - Capabilities . . . . . 325
  - Control Cabling . . . . . 325
  - TDC-100 Configuration . . . . . 326
  - Peripheral Bus II Triggers . . . . . 326
- GPI Outputs . . . . . 327
  - Introduction . . . . . 327
  - Configuration . . . . . 327
  - E-MEM Level Groups . . . . . 327
- GPI Inputs . . . . . 328
  - Introduction . . . . . 328
  - Suite Prefs - GPI In Menu . . . . . 328
- Editor Interface . . . . . 329
  - Introduction . . . . . 329
  - Installation and Configuration . . . . . 329
  - Editor Protocol Changes . . . . . 330
- Router Interface . . . . . 330
  - Introduction . . . . . 330
  - Features . . . . . 331
  - Router Interface Installation . . . . . 331
    - Control Interface Cabling . . . . . 331
    - Video Interface Cabling . . . . . 332
  - External Router Configuration . . . . . 332
  - Kalypso Router Configuration Menus . . . . . 332
    - Eng Setup Router Device Setup Menu . . . . . 332
    - Primary and Secondary Router Communications . . . . . 334
    - Eng Setup Source Menu . . . . . 334
  - Button Mapping . . . . . 336
  - Test Operation . . . . . 336
  - E-MEM Control of R-MEM . . . . . 337
  - Device Control for Routed Sources . . . . . 337
    - Introduction . . . . . 337
    - Configuration Overview . . . . . 338
    - Router Source to External Device Mapping . . . . . 340
- Index . . . . . 343**



# Preface

## About This Manual

This *Kalypso HD/Duo Installation & Service Manual* is designed for technical personnel responsible for installing and maintaining Kalypso HD and Duo systems.

## Standard Documentation Set

The standard Kalypso documentation set consists of a:

- User Manual,
- Reference Manual,
- Installation & Service Manual, and
- Release Notes.

The *Kalypso User Manual* contains background information about the Kalypso Video Production Center, and describes operating procedures. This manual can be used while learning about Kalypso, and for enhancing your basic knowledge of the system.

The *Kalypso Reference Manual* contains comprehensive and concise information about the Kalypso panel controls and menus. Refer to this manual to learn the functions of specific Kalypso system controls.

The *Kalypso Installation & Service Manual* contains information about installing, configuring, and maintaining the system.

**Note** Different Installation & Service Manuals ship with Kalypso Classic and Kalypso HD/Duo systems. Be sure to use the correct manual for your type of system.

The *Kalypso Release Notes* contain information about new features and system enhancements for a specific software version, and also includes software installation procedures. Always check the release notes for your current system software before you begin operating your system.

## **Other Documentation**

The *Kalypso Machine Control Interfaces Installation Instructions*, provided with the KAL-IF-PROFILE and KAL-IF-VTR options, contains information about installing and configuring external machine control software.

The *Kalypso/Zodiak Protocols Manual* is available for developers and software engineers to use to design interfaces to the Kalypso system.



# *Regulatory Notices*

## **Certifications and Compliances**

### **FCC Emission Control**

This equipment has been tested and found to comply with the limits for a Class A digital device, pursuant to Part 15 of the FCC Rules. These limits are designed to provide reasonable protection against harmful interference when the equipment is operated in a commercial environment. This equipment generates, uses, and can radiate radio frequency energy and, if not installed and used in accordance with the instruction manual, may cause harmful interference to radio communications. Operation of this equipment in a residential area is likely to cause harmful interference in which case the user will be required to correct the interference at his own expense. Changes or modifications not expressly approved by Grass Valley can affect emission compliance and could void the user's authority to operate this equipment.

This device complies with Part 15 of the FCC Rules (E4 environment). Operation is subject to the following two conditions: (1) This device may not cause harmful interference, and (2) this device must accept any interference received, including interference that may cause undesirable operation.

### **Canadian EMC Notice of Compliance**

This digital apparatus does not exceed the Class A limits for radio noise emissions from digital apparatus set out in the Radio Interference Regulations of the Canadian Department of Communications.

Le présent appareil numérique n'émet pas de bruits radioélectriques dépassant les limites applicables aux appareils numériques de la classe A prescrites dans le Règlement sur le brouillage radioélectrique édicté par le ministère des Communications du Canada.

## EN55103-1/2 Class A Warning

For products that comply with Class A. In a domestic environment this product may cause radio interference in which case the user may be required to take adequate measures.

This product has been evaluated for Electromagnetic Compatibility under the EN 55103-1/2 standards for Emissions and Immunity and meets the requirements for E4 environment.

## Safety Certifications

This product's components have been evaluated and meet the Safety Certification Standards listed in the table below.

Component	Standard	Designed/tested for compliance with:
4-M/E Main Panel 2-M/E Main Panel Local Aux Panel	UL1950	Safety of Information Technology Equipment, including Electrical Business Equipment (Second edition, 1993).
	IEC 950	Safety of Information Technology Equipment, including Electrical Business Equipment (Second edition, 1991).
	CAN/CSA C22.2 No. 950-93	Safety of Information Technology Equipment, including Electrical Business Equipment.
	EN60950-2000	
1-M/E Main Panel HD Video Processor Frame Enhanced Menu Panel	UL60950	Safety of Information Technology Equipment, including Electrical Business Equipment (Third edition revision 3/15/02).
	IEC 60950	Safety of Information Technology Equipment, including Electrical Business Equipment (Third edition, 1999).
	CAN/CSA C22.2 No. 60950-00	Safety of Information Technology Equipment, including Electrical Business Equipment.
	EN60950-2000	

# Safety Summary

Read and follow the important safety information below, noting especially those instructions related to risk of fire, electric shock or injury to persons. Additional specific warnings not listed here may be found throughout the manual.

**WARNING** Any instructions in this manual that require opening the equipment cover or enclosure are for use by qualified service personnel only. To reduce the risk of electric shock, do not perform any servicing other than that contained in the operating instructions unless you are qualified to do so.

## Safety Terms and Symbols

### Terms in This Manual

Safety-related statements may appear in this manual in the following form:

**WARNING** Warning statements identify conditions or practices that may result in personal injury or loss of life.

**CAUTION** Caution statements identify conditions or practices that may result in damage to equipment or other property, or which may cause equipment crucial to your business environment to become temporarily non-operational.

### Terms on the Product

The following terms may appear on the product:

**DANGER** — A personal injury hazard is immediately accessible as you read the marking.

**WARNING** — A personal injury hazard exists but is not immediately accessible as you read the marking.

**CAUTION** — A hazard to property, product, and other equipment is present.

## Symbols on the Product

The following symbols may appear on the product:



Indicates that dangerous high voltage is present within the equipment enclosure that may be of sufficient magnitude to constitute a risk of electric shock.



Indicates that user, operator or service technician should refer to product manual(s) for important operating, maintenance, or service instructions.



This is a prompt to note fuse rating when replacing fuse(s). The fuse referenced in the text must be replaced with one having the ratings indicated.



Identifies a protective grounding terminal which must be connected to earth ground prior to making any other equipment connections.



Identifies an external protective grounding terminal which may be connected to earth ground as a supplement to an internal grounding terminal.



Indicates that static sensitive components are present which may be damaged by electrostatic discharge. Use anti-static procedures, equipment and surfaces during servicing.

## Warnings

The following warning statements identify conditions or practices that can result in personal injury or loss of life.

**Dangerous voltage or current may be present** — Disconnect power and remove battery (if applicable) before removing protective panels, soldering, or replacing components.

**Do not service alone** — Do not internally service this product unless another person capable of rendering first aid and resuscitation is present.

**Remove jewelry** — Prior to servicing, remove jewelry such as rings, watches, and other metallic objects.

**Avoid exposed circuitry** — Do not touch exposed connections, components or circuitry when power is present.

**Use proper power cord** — Use only the power cord supplied or specified for this product.

**Ground product** — Connect the grounding conductor of the power cord to earth ground.

**Operate only with covers and enclosure panels in place** — Do not operate this product when covers or enclosure panels are removed.

**Use correct fuse** — Use only the fuse type and rating specified for this product.

**Use only in dry environment** — Do not operate in wet or damp conditions.

**Use only in non-explosive environment** — Do not operate this product in an explosive atmosphere.

**High leakage current may be present** — Earth connection of product is essential before connecting power.

**Dual power supplies may be present** — Be certain to plug each power supply cord into a separate branch circuit employing a separate service ground. Disconnect both power supply cords prior to servicing.

**Double pole neutral fusing** — Disconnect mains power prior to servicing.

**Use proper lift points** — Do not use door latches to lift or move equipment.

**Avoid mechanical hazards** — Allow all rotating devices to come to a stop before servicing.

## Cautions

The following caution statements identify conditions or practices that can result in damage to equipment or other property

**Use correct power source** — Do not operate this product from a power source that applies more than the voltage specified for the product.

**Use correct voltage setting** — If this product lacks auto-ranging power supplies, before applying power ensure that the each power supply is set to match the power source.

**Provide proper ventilation** — To prevent product overheating, provide equipment ventilation in accordance with installation instructions.

**Use anti-static procedures** — Static sensitive components are present which may be damaged by electrostatic discharge. Use anti-static procedures, equipment and surfaces during servicing.

**Do not operate with suspected equipment failure** — If you suspect product damage or equipment failure, have the equipment inspected by qualified service personnel.

**Ensure mains disconnect** — If mains switch is not provided, the power cord(s) of this equipment provide the means of disconnection. The socket outlet must be installed near the equipment and must be easily accessible. Verify that all mains power is disconnected before installing or removing power supplies and/or options.

**Route cable properly** — Route power cords and other cables so that they are not likely to be damaged. Properly support heavy cable bundles to avoid connector damage.

**Use correct power supply cords** — Power cords for this equipment, if provided, meet all North American electrical codes. Operation of this equipment at voltages exceeding 130 VAC requires power supply cords which comply with NEMA configurations. International power cords, if provided, have the approval of the country of use.

**Use correct replacement battery** — This product may contain batteries. To reduce the risk of explosion, check polarity and replace only with the same or equivalent type recommended by manufacturer. Dispose of used batteries according to the manufacturer's instructions.

**Troubleshoot only to board level** — Circuit boards in this product are densely populated with surface mount technology (SMT) components and application specific integrated circuits (ASICs). As a result, circuit board repair at the component level is very difficult in the field, if not impossible. For warranty compliance, do not troubleshoot systems beyond the board level.

# *System Overview*

## **Introduction**

The Kalypso Video Production Center is much more than a switcher. The Kalypso system not only features powerful digital video switching, mixing, and keying with E-MEM, but also provides integrated control of other production devices (e.g., facility routers, external effects systems, DDRs). The Kalypso Video Production Center also has a flexible, scalable, and quickly reconfigurable architecture able to meet the demanding requirements of live production and post production applications.

Three different Kalypso systems are available, one supporting either high definition or standard definition video (Kalypso HD), and one supporting standard definition video, but able to upgraded to operate in either standard or high definition video (Kalypso Duo), and another supporting only standard definition video (Kalypso Classic). Kalypso Classic systems use different video processing hardware and so has a separate *Kalypso Classic Installation and Service* manual. Only Kalypso HD and Duo systems are covered in this manual.

## **Features**

### **4-M/E Kalypso HD System Standard Features**

- 720p/59.94 and 60,
- 1080i/29.97, 30, and 25,
- 1080sf/24, 25, 30
- 15 auto-timed inputs (configured as single inputs or video/key pairs),
- 48 timed outputs (configured as single outputs or video/key pairs),
- Four identical Mix Effects (M/E) subsystems (3 M/E, 1 PGM PST),
- 32 Source Selection buttons on each M/E bus row,
- Four keyers per M/E, with Borderline on each keyer,

- YUV Color Correction on every bus,
- Status display on each M/E,
- Source name display standard on PGM PST,
- Unlimited re-entry,
- Look ahead and other preview modes,
- Touch screen Menu panel,
- Local Aux panel, with source name display standard,
- E-MEM (100 registers) with disk storage,
- 64 Tally outputs,
- Serial control of VTR/DDR (BVW 75 protocol)
- Router Interface, and
- Hot swappable modules (including power supplies).

#### **4-M/E Kalypso HD System Options**

Selected sets of options may be combined into packages for initial purchase. Individual options can be purchased and added to a Kalypso system at a later time. Some Kalypso system options contain hardware components and some are software enabled.

- Additional 15 groups of inputs, up to 90 total inputs,
- Source Name displays for M/E 1, 2, and 3,
- RGB Color Correction,
- Chromatte Advanced Dual Chroma Keyer, adds two floating chroma keyers, able to be assigned to any keyer in the system at any time. Up to eight dual chroma keyers (16 total) can be installed,
- FlexiKey Programmable Clean Feed, allows creation of two independent program streams, using key substitution, through one or more M/Es,
- Internal Digital Picture Manipulator (iDPM) Transform Engine module, adds three channels of video/key digital effects. Up to two can be installed (for up to six channels),
- Kurl (for Transform Engine), with Splits and Mirrors,
- Transform Engine Advanced Effects option: Defocus, Glow, Lighting



- SuperStill, adds advanced Still Store capabilities with two inputs, eight outputs, animation, disk storage, and includes the Still Store Loader application for image transfer to and from PCs,
- KlipCache (for SuperStill), increases cache storage capacity to 4.5 GB,
- DoubleTake, allows creation of two completely independent M/E composites in a single M/E, producing the power of 8 M/Es in a 4-M/E system,
- Machine control of Profile VDR channels via Ethernet,
- Machine control of VTRs via Ethernet,
- AMP Serial Machine Control,
- Backup Video Processor power supply,
- Redundant Main panel power supply,
- 32 and 24-Crosspoint Remote Aux panels,
- Shot Box.,
- Emergency Bypass (SD operating mode only), and
- NetCentral

## 2-M/E Kalypso HD System Standard Features

The 2-M/E Kalypso system has the same features as the 4-M/E Kalypso system, with the following differences:

- One full featured M/E bank and one full featured PGM PST bank on the Main panel,
- 24 Source Selection buttons on each M/E bus row,
- 24 timed outputs (configured as single outputs or video/key pairs), and
- Local Aux panel functions incorporated into the Main panel.

## 2-M/E Kalypso HD System Options

The 2-M/E Kalypso system has the same options as the 4-M/E Kalypso system, with the following differences:

- 2 - 3 M/E upgrade (2-M/E to 3-M/E, or 3-M/E to 4-M/E system), and
- 2 - 4 M/E upgrade (2-M/E to 4-M/E system).

## Kalypso Duo Features and Options

The Kalypso Duo system is identical to the Kalypso HD system, except it operates only at SD resolution. The Kalypso Duo supports 525/59.94 and 625/50 video. A Kalypso Duo can be upgraded into a Kalypso HD system

(which supports both SD and HD formats) by purchasing and installing the KAL-UPG-DUO-HD-S software upgrade.

## External Interfaces Supported

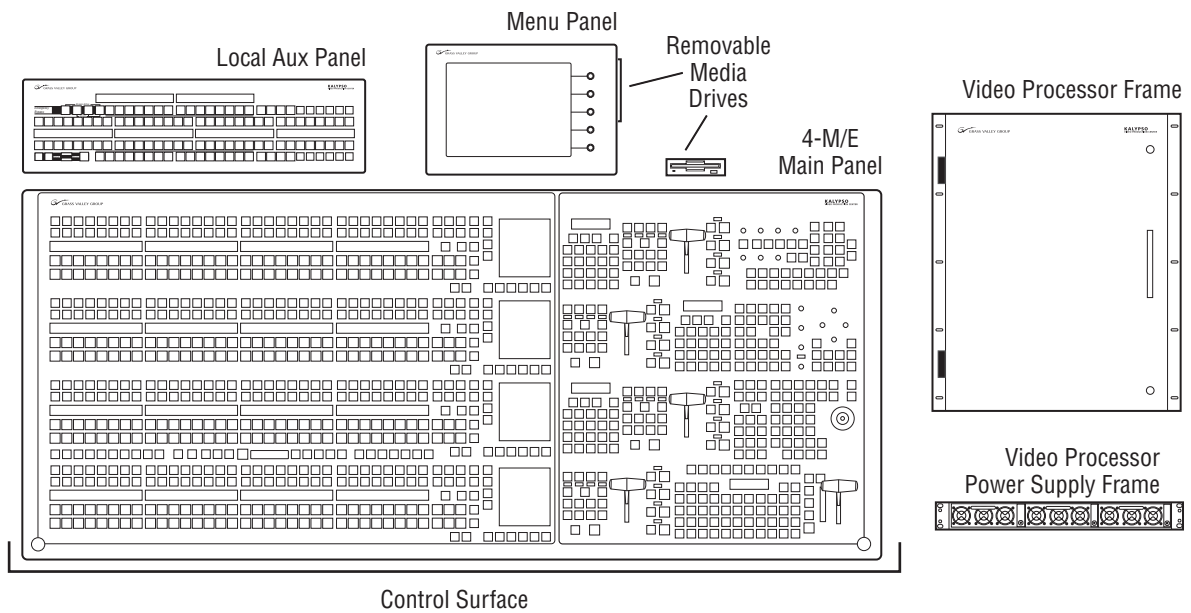
All Kalypso HD systems support the following control interfaces and types of external devices:

- GPI Inputs and Outputs,
- Tally (contact closure),
- Peripheral Bus II Protocol,
- Facility Routers,
- External Digital Effects Systems, including CPL,
- Digital Disk Recorders, and
- Video Tape Recorders
- Character Generators, and
- Still Stores.

## System Components

A Kalypso HD system consists of a Control Surface comprised of two or more control panels, a Video Processor frame, Video Processor Power Supply, and removable media drives. Several of the standard 4-M/E system components depicted in [Figure 1](#) are also common to 2-M/E systems. Remote Aux panels and accessory satellite panels are available as options.

Figure 1. 4-M/E Kalypso System Components



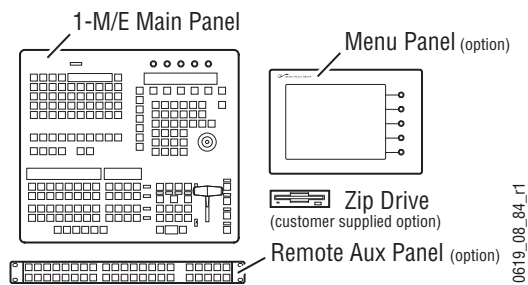
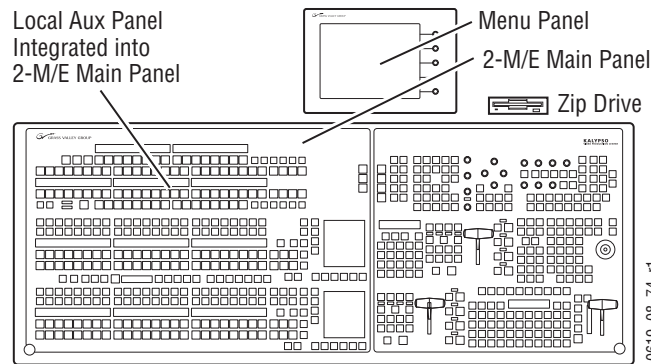
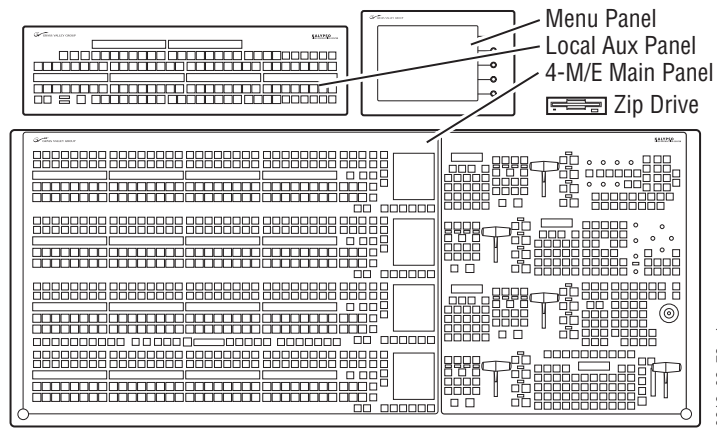
8218\_06\_18\_r0

## Control Surface

The modular design of Kalypso control panels provides flexibility for mounting component panels in various environments, and allows the addition of specialized accessory control panels. A group of panels available to a single operator is called a Control Surface. A single Kalypso Video Production Center may have multiple Control Surfaces, allowing more than one operator to control some or all of the Kalypso system.

A Control Surface consists of at least two components, a Main panel and a Menu panel. The 4-M/E has a separate Local Aux panel, while the 2-M/E has a Local Aux subpanel integrated into the Main panel. A 1-M/E control surface is designed to operate in conjunction with a 4-M/E or 2-M/E Main panel as an accessory workstation (refer to [Figure 2](#)).

Figure 2. Kalypso Control Surface

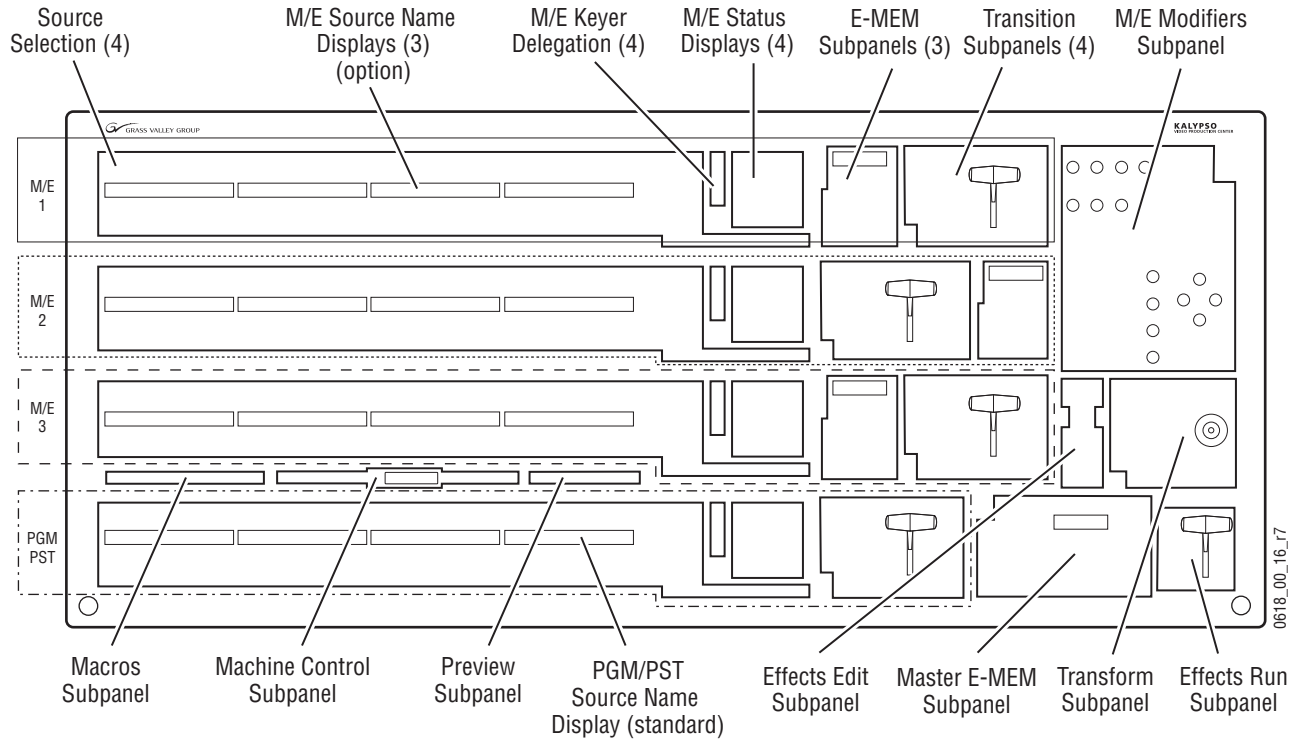


## 4-M/E Kalypso HD System

### 4-M/E Main Panel

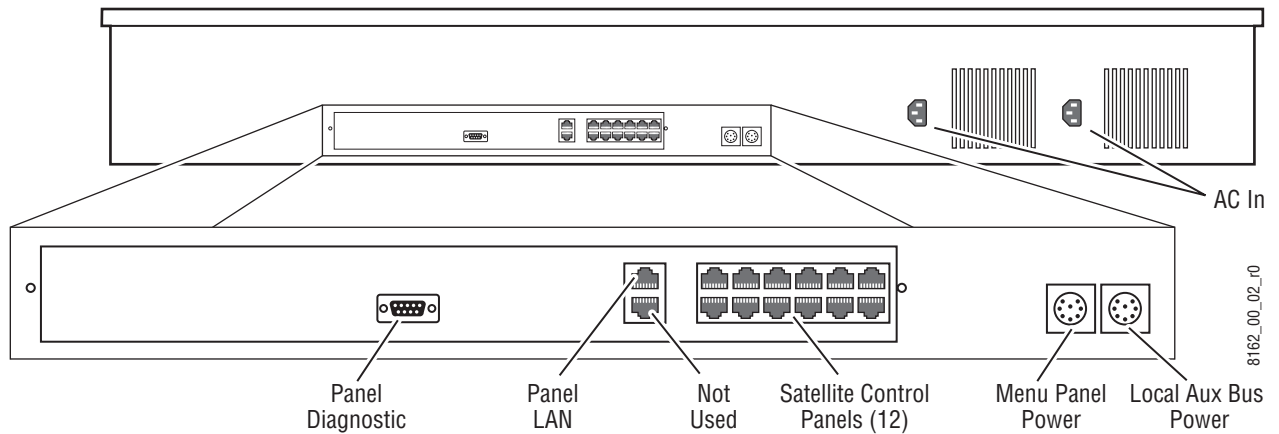
The Main panel provides real time button, knob, and lever arm control of the Kalypso system. The panel is organized into subpanels that contain groups of related controls (Figure 3).

Figure 3. Kalypso 4-M/E Main Panel



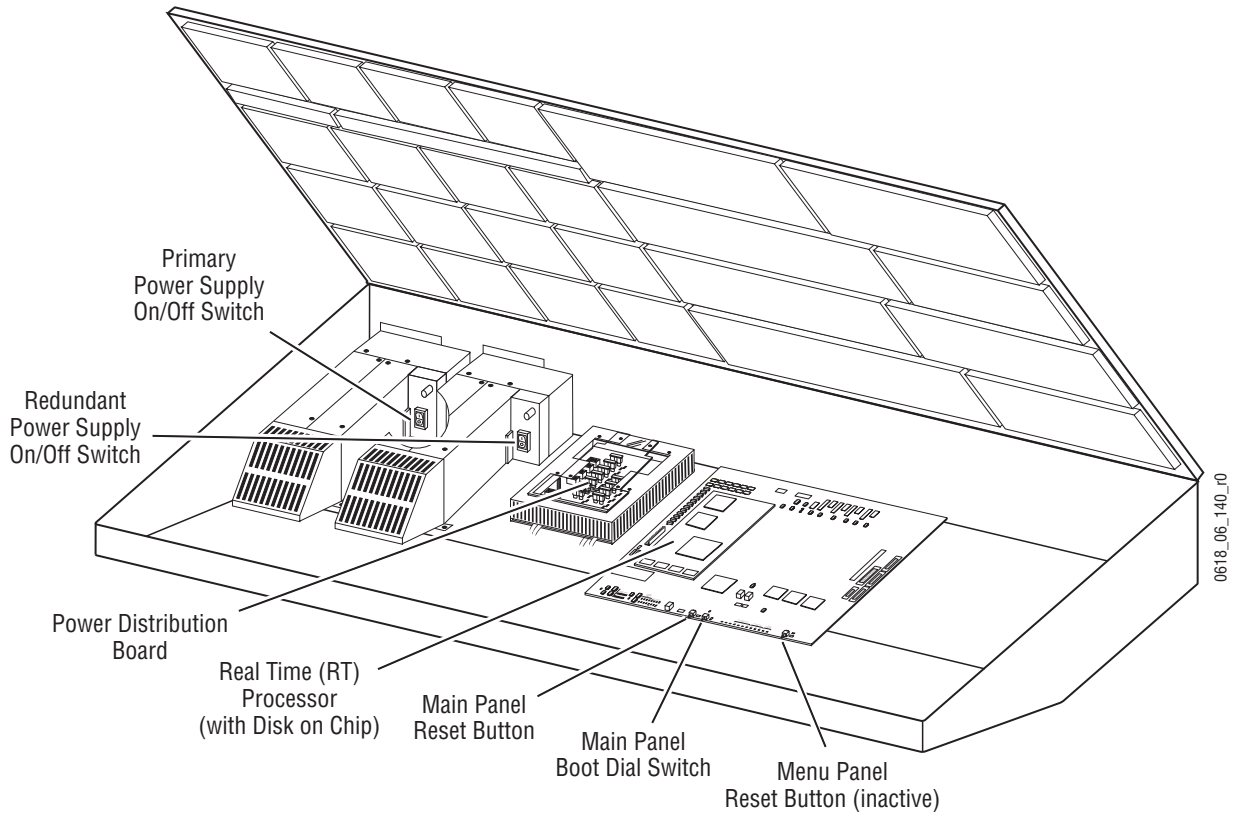
The 4-M/E Main rear panel connections are shown in Figure 4.

Figure 4. 4-M/E Main Panel, Rear View



Main panel power switches and the Main panel reset button are accessed by lifting the top of the Main panel (Figure 5). A redundant power supply can be installed into the tub of the Main panel as an option. The Main panel provides power to the separate Menu panel and Local Aux panel.

Figure 5. 4-M/E Main Panel Inside View

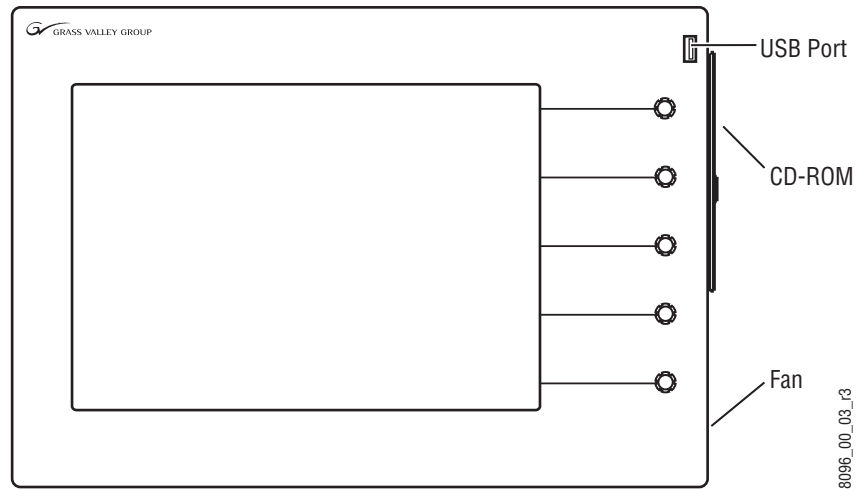


## Menu Panel

The Menu panel (Figure 6) provides access to additional system controls that generally do not require real time adjustment. This panel includes a touch screen display, five knobs for adjusting parameter values, a cooling

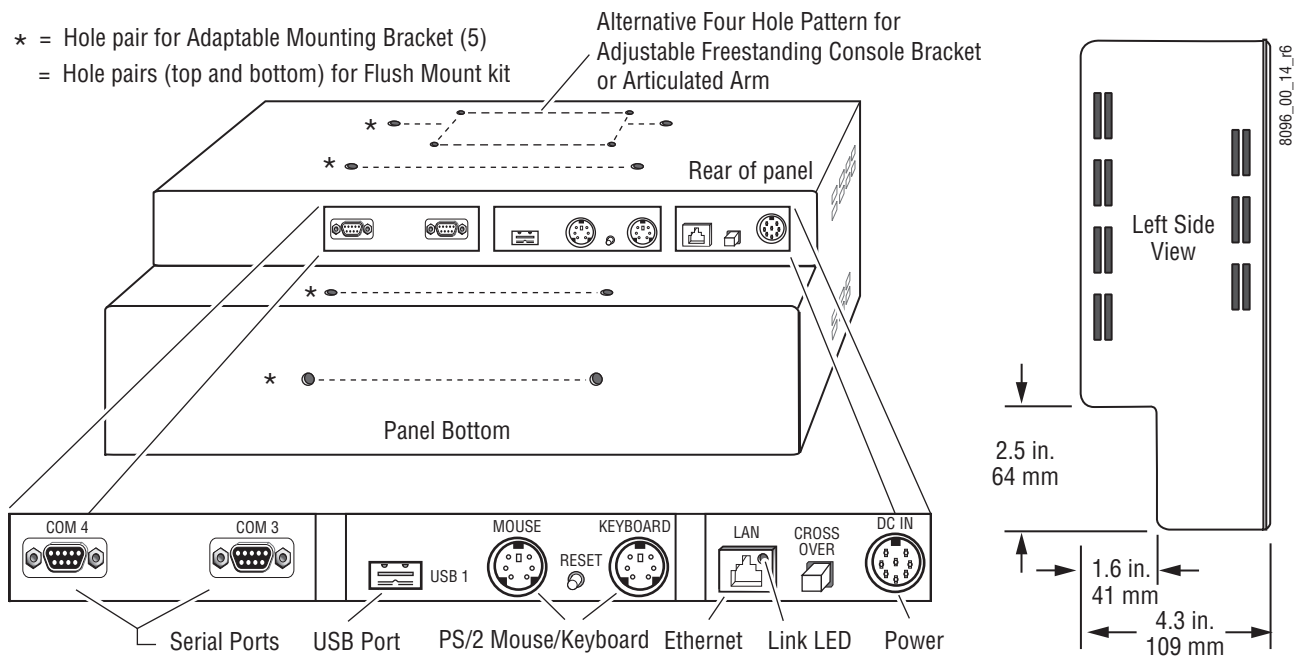
fan, an internal CD-ROM drive, and houses the Menu System Processor that runs the Windows XP operating system.

Figure 6. Menu Panel, Front View



Ports located on the rear of the Menu panel (Figure 7) provide connections to the Main panel, Video Processor frame, an external Zip drive, a PS/2 mouse and keyboard, and other devices. A Menu panel reset button is also available.

Figure 7. Enhanced Menu Panel, Bottom View of Connectors

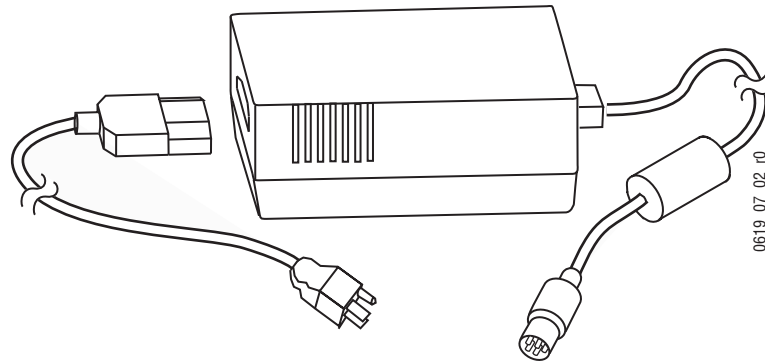


The Menu panel can be installed above or to either side of the Main panel, and should be oriented so the screen directly faces the operator. Additional Menu panels can also be configured with a Kalypso Control Surface.

### Power Cabling

The Menu panel normally receives its power from the Main panel. An optional brick style external power supply is available that allows the Menu panel to be powered independently from the Main panel (Figure 8). This same type of power supply can be used with the Local Aux panel.

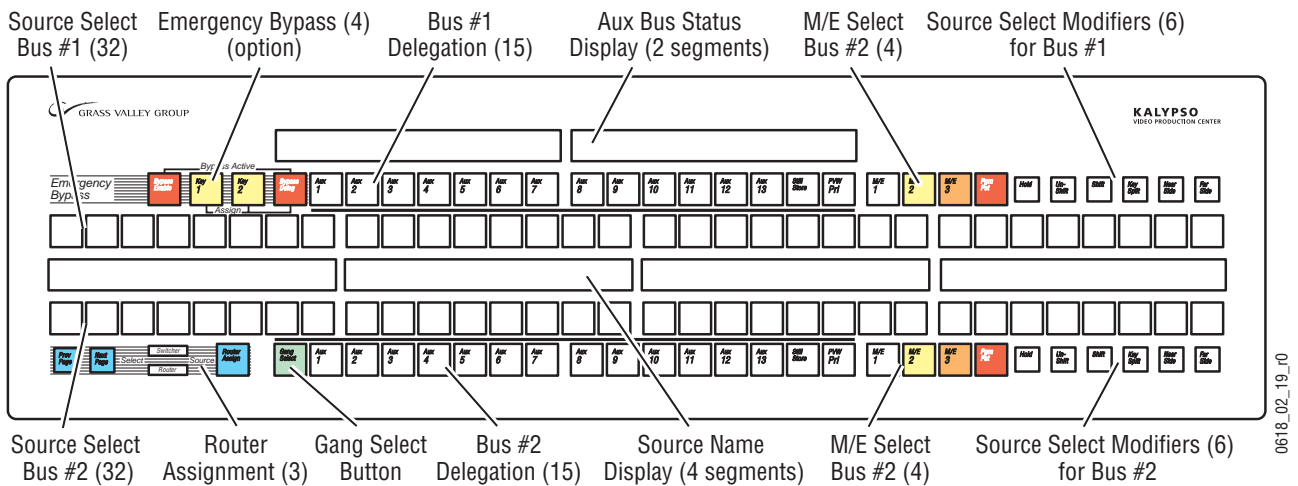
Figure 8. Optional External Power Supply



### Local Aux Panel

The Local Aux panel provides control of the Kalypso System Aux buses, Still Store source selection, some switched preview, and also supports Router source selection and Emergency Bypass option operation (Figure 9).

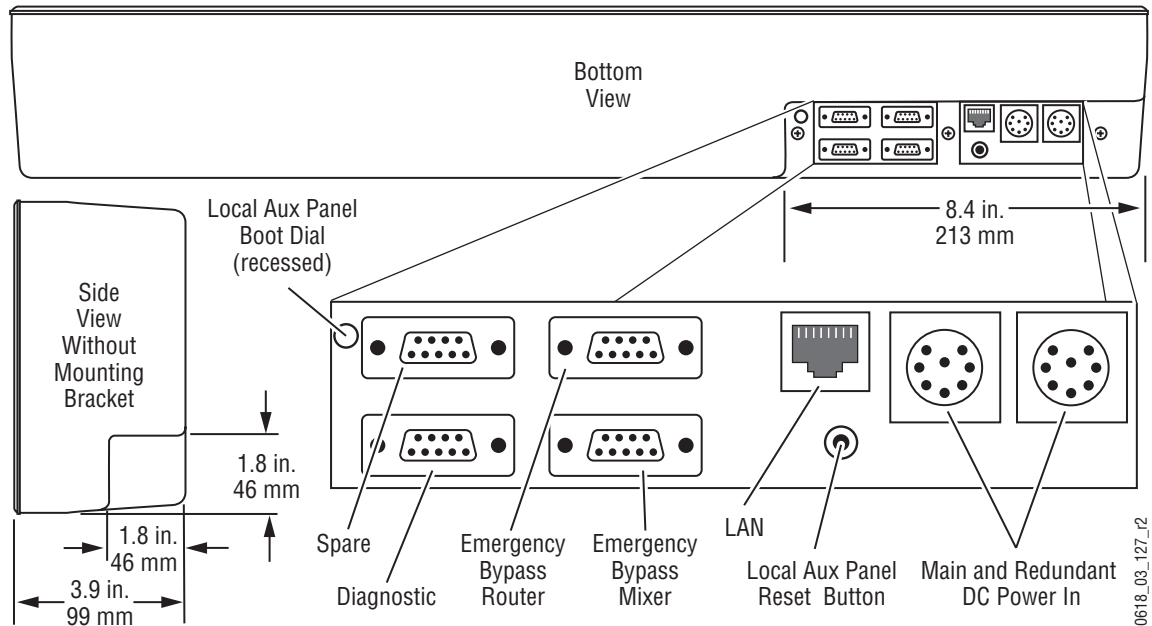
Figure 9. Kalypso Local Aux Panel





Connections to the Kalypso Main panel are located on the bottom of the Local Aux panel (Figure 10). A Local Aux panel reset button is also available.

Figure 10. Local Aux Panel, Bottom View of Connectors



The Local Aux panel is generally installed directly above the left side of the Main panel so the Source Select buttons are aligned, though it can be mounted in any convenient location.

### Power Cabling

The Local Aux bus is normally powered from the Main panel. The Local Aux panel can also accept a redundant power source, and/or be powered separately from the Main panel using the same model optional power supply available for the Menu panel (see Figure 8 on page 32).

### Removable Media Drives

Current Kalypso HD systems ship with a USB Memory Stick and an Enhanced Menu panel equipped with a USB port in the front (for use with the USB Memory Stick) and an internal CD-ROM drive.

If the Enhanced Menu panel Flush Mount kit is specified, an external USB CD-ROM drive is included.

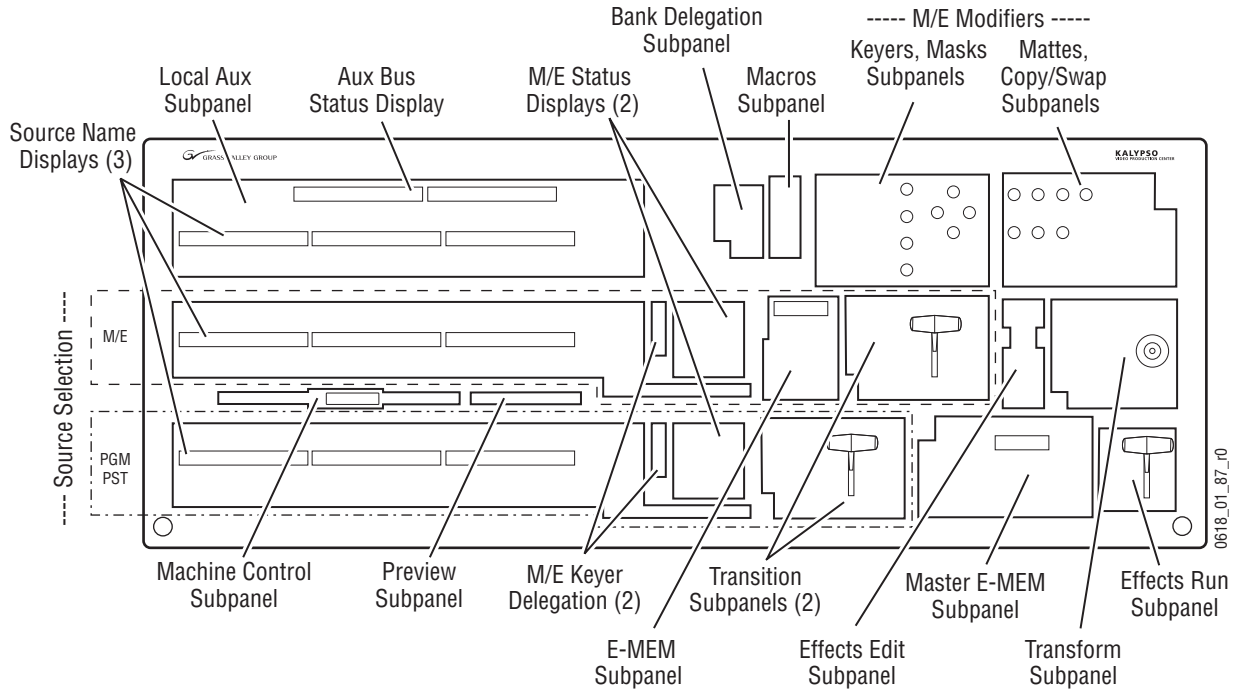
Earlier model Kalypso systems shipped with a USB 250 MB Zip drive that connects to the Menu panel and a CD-ROM drive built into the Menu panel.

## 2-M/E Kalypso HD System

### 2-M/E Main Panel

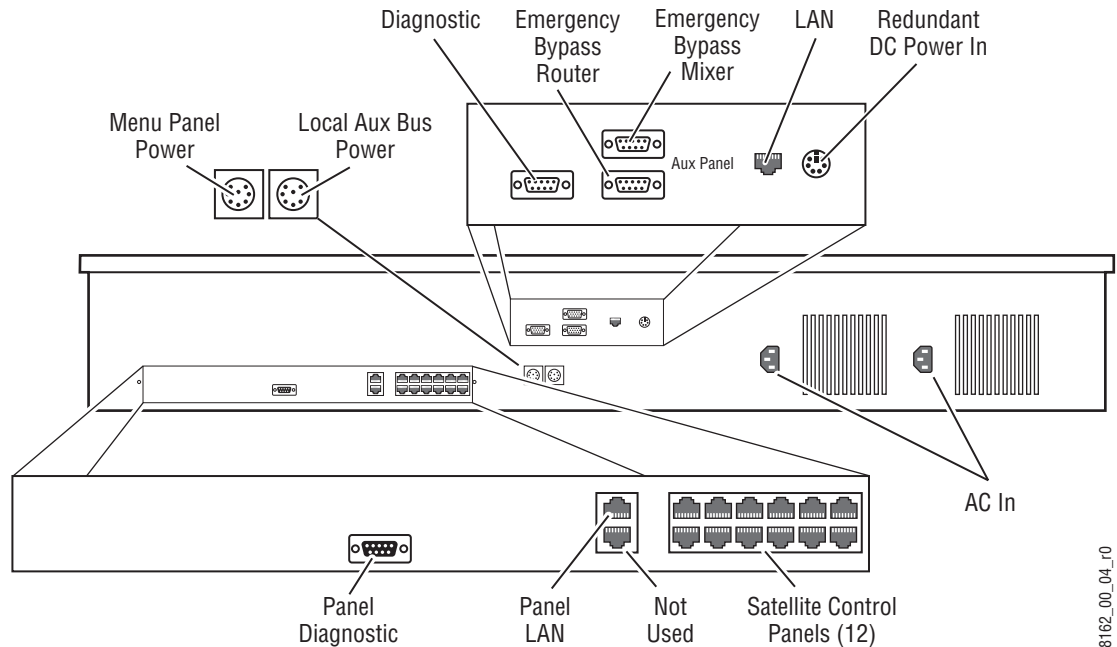
The 2-M/E Main panel is similar to the 4-M/E panel (Figure 11). Instead of 3 M/Es and a PGM PST, the 2-M/E Main panel has one M/E bank and one PGM PST bank, though three M/Es and PGM PST are accessible via delegation. Local Aux Bus control capabilities are also built in as a subpanel.

Figure 11. Kalypso 2-M/E Main Panel



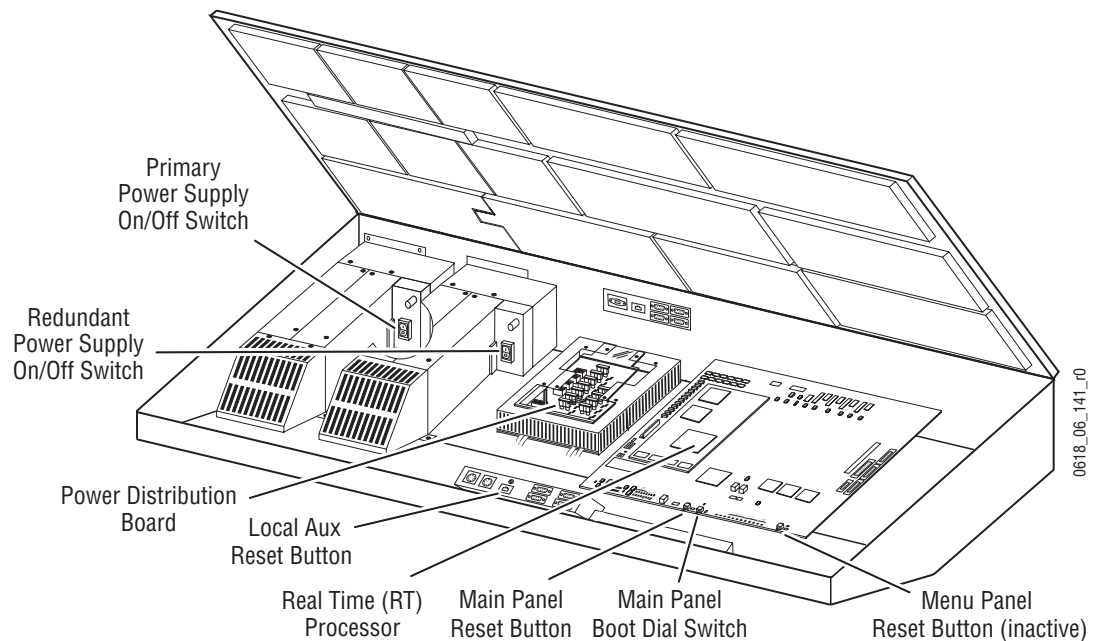
The Kalypso 2-M/E Main panel has connectors at the rear that are identical to those on a 14-M/E system, except there are additional Local Aux panel connections (Figure 12).

Figure 12. 2-M/E Main Panel, Rear View



The Kalypso 2-M/E Main panel power switches, reset buttons, and circuit boards (including the Local Aux panel) are accessed by lifting the top of the Main panel (Figure 13).

Figure 13. 2-M/E Main Panel, Inside View



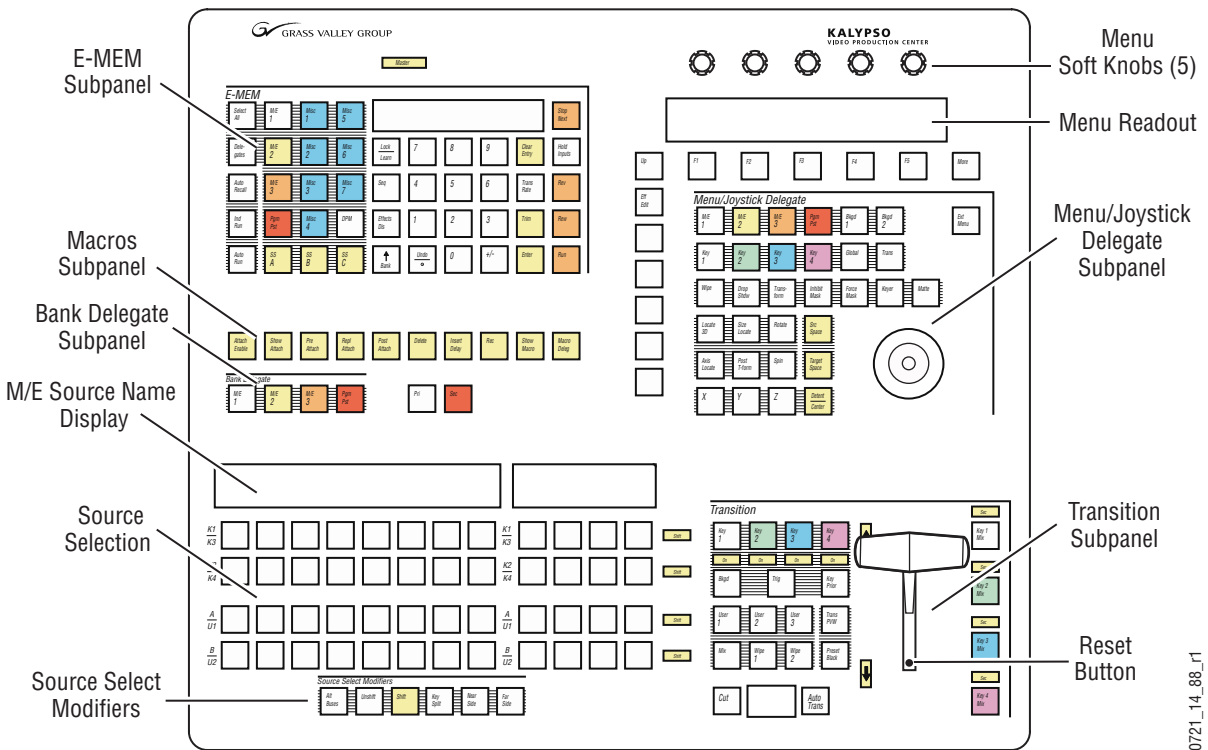
## 1-M/E Main Panel

A 1-M/E Main panel is intended to act as an accessory control surface for a 4-M/E or 2-M/E Kalypso system, not as the primary system control point. A 1-M/E Main panel can be used for pre- or post-production, or be used during live production to permit another operator to assist the TD. Intended uses for the 1 M/E panel include:

- Effects creation,
- Setup activities away from the main panel,
- Back room editing,
- Preselection and/or upstream effects playout, and
- Branding or other downstream activities.

Though the 1-M/E Main panel has only one M/E control bank, it can be delegated to control any of the M/Es of a 2 or 4-M/E Kalypso system.

Figure 14. Kalypso 1-M/E Main Panel

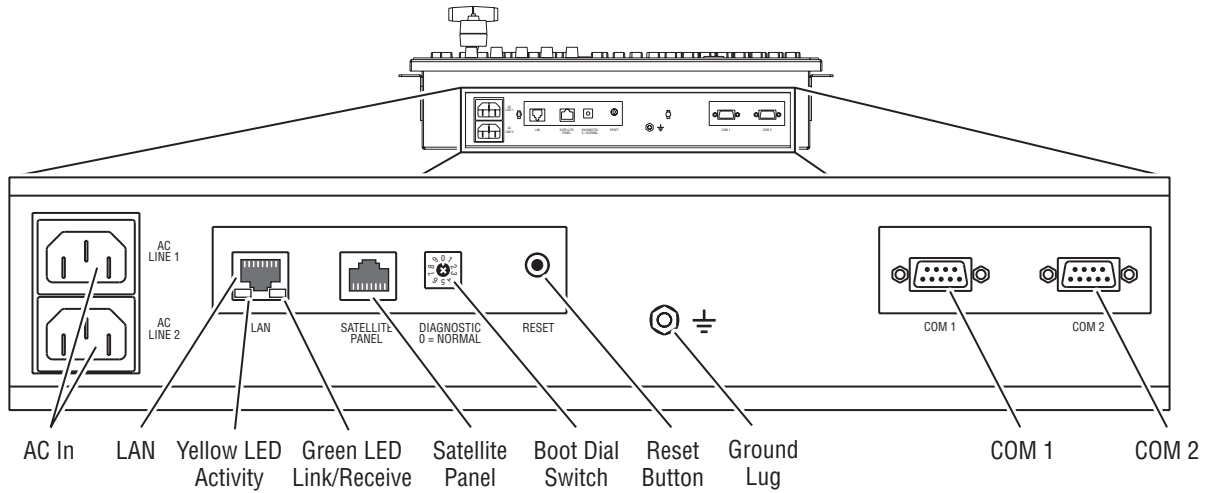


The 1-M/E Main panel's top lid is held closed with screws and is not designed to be opened by the operator. No user controls or field serviceable parts reside in the unit.

0721\_14\_88\_r1

The 1-M/E Main panel has a reset button on the rear and one inside the lever arm slot, to permit easy reset when installed in a console.

Figure 15. Kalypso 1-M/E Main Panel, Rear View



## Control Panel Options

### Remote Aux Panels

Remote Aux panels provide control of selected Kalypso Aux buses from a remote location. Two models of 32-Crosspoint Remote Aux panels that employ Ethernet communications are currently available. Three models of older 24-Crosspoint Aux panels that use serial communications originally designed for Model 4000 switchers can also be modified for use with Kalypso systems. Any combination of these aux panels may be used.

### 32-Crosspoint Remote Aux Panels

Both 32-Crosspoint Remote Aux panel models are designed to select 64 external sources (32 unshifted and 32 shifted). The 1 RU panel (KAL-32AUX1) is dedicated to a single bus (Figure 16). The 2 RU panel (KAL-32AUX2) is multi-destination with 16 bus delegate buttons (Figure 17).

Figure 16. KAL-32AUX1 (1 RU) Remote Aux Panel

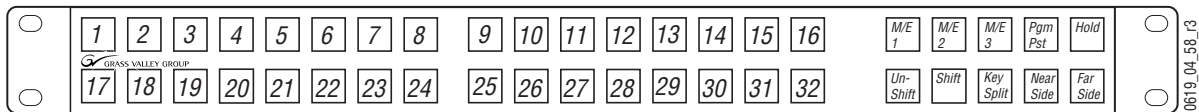
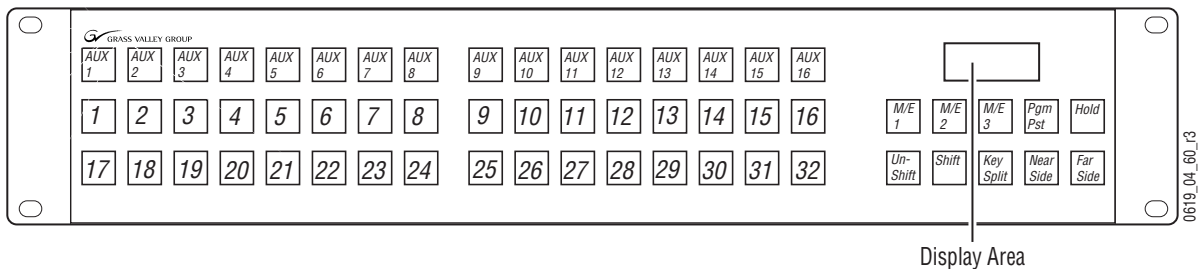
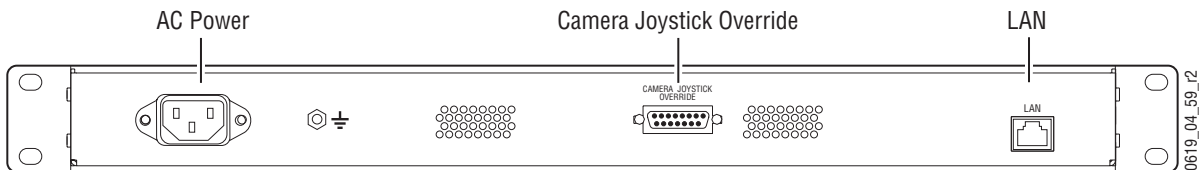


Figure 17. KAL-32AUX2 (2 RU) Remote Aux Panel



Both 32-Crosspoint Panels have the same rear panel layout (Figure 18). These panels have a built-in power supply and use a standard removable AC power cable.

Figure 18. 32-Crosspoint Remote Aux Panel Rear View



### 24-Crosspoint Remote Aux Panels

The three 24-Crosspoint panel models are designed to select 48 external sources (24 unshifted and 24 shifted). The 1 and 2 RU panels (KAL-24AUX1 and KAL-24AUX2) are dedicated to a single bus (Figure 19, Figure 20.) The 3 RU panel (KAL-24AUX3) panel is multi-destination with 18 bus delegate buttons (Figure 21).

Figure 19. KAL-24AUX1 (1 RU) Remote Aux Panel

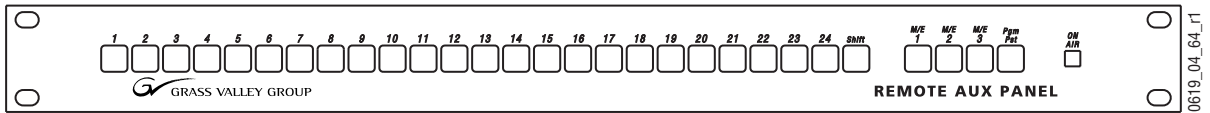


Figure 20. KAL-24AUX2 (2 RU) Remote Aux Panel

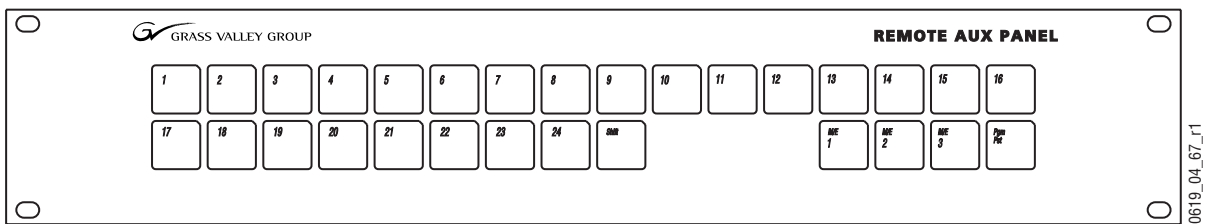
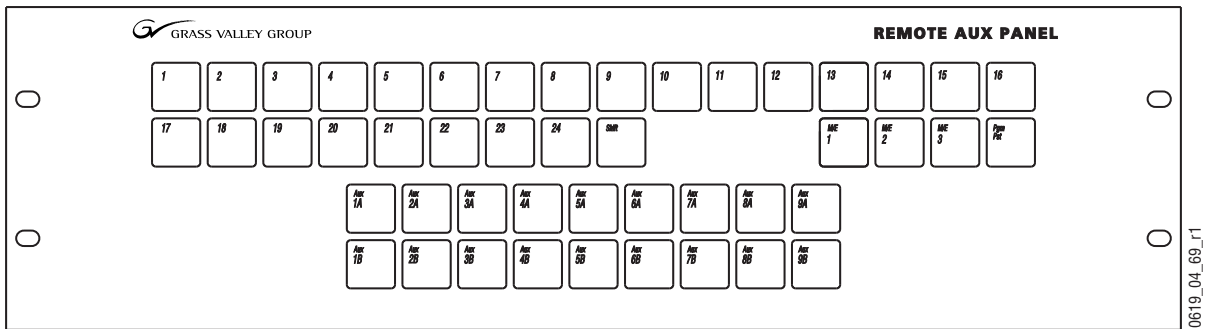
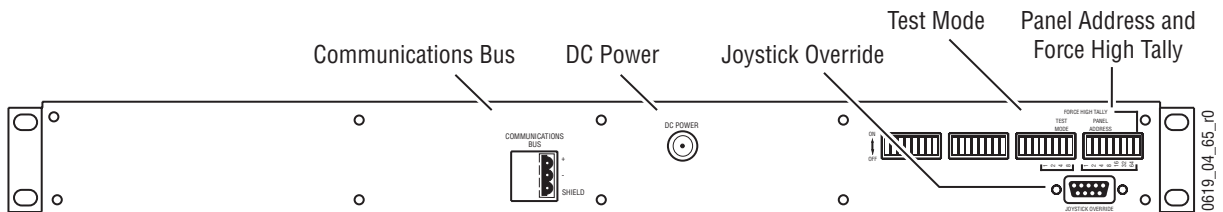


Figure 21. KAL-24AUX3 (3 RU) Remote Aux Panel



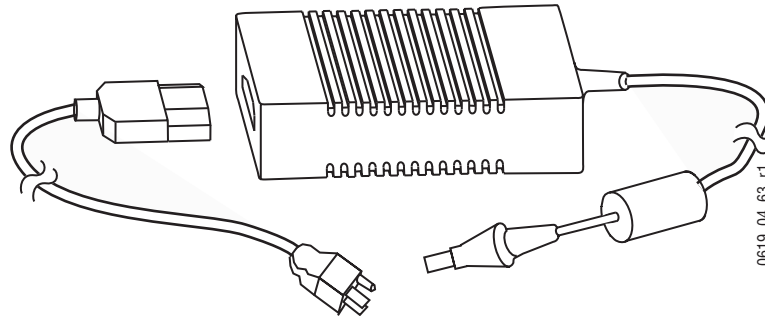
All three 24-Crosspoint panels have the same rear panel layout (Figure 22).

Figure 22. 24-Crosspoint Remote Aux Panel Rear Panel



24-Crosspoint Remote Aux panels uses an external, brick type power supply (Figure 23).

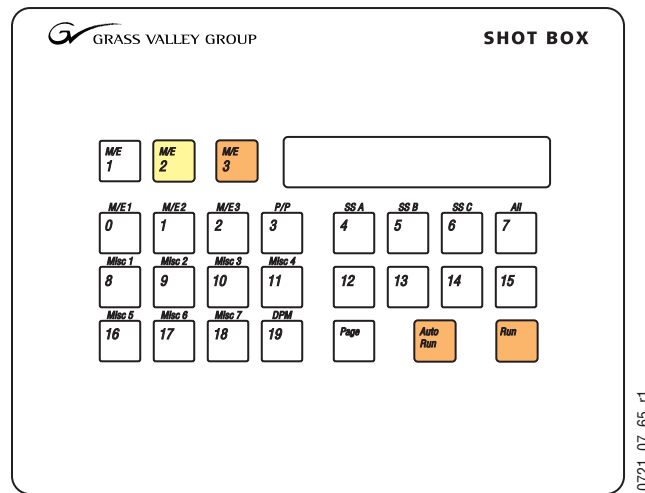
Figure 23. KAL-24AUX Power Supply



## Shot Box Option

The E-MEM Shot Box is a separate panel used to rapidly recall previously built effects (Figure 24).

Figure 24. Kalypso Shot Box



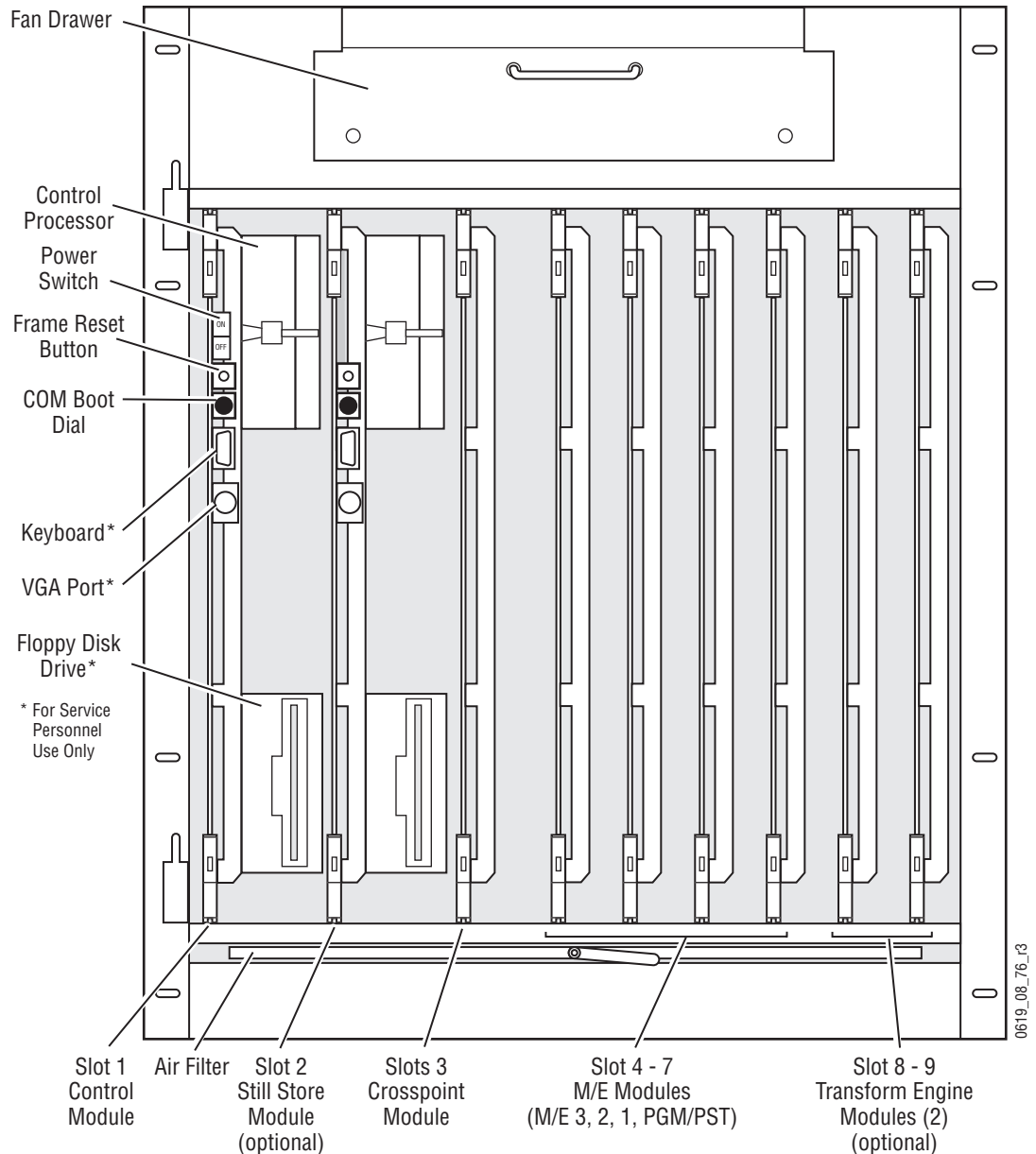
The Shot Box can be powered from the Main panel through the cables provided. If located more than 3 m (10 ft) from the Main panel, an optional Satellite Panel extension kit is available that includes a brick type power supply.



## Kalypso HD Video Processor Frame

The Kalypso HD Video Processor frame houses most of the system electronic. Slots in the front hold system control, video routing, and signal processing modules. A fully loaded system is shown in Figure 25. Some of the modules illustrated may not be included in your Kalypso system. 2-M/E Kalypso systems ship with only 2 M/E modules, and the Still Store and Transform Engine modules are optional.

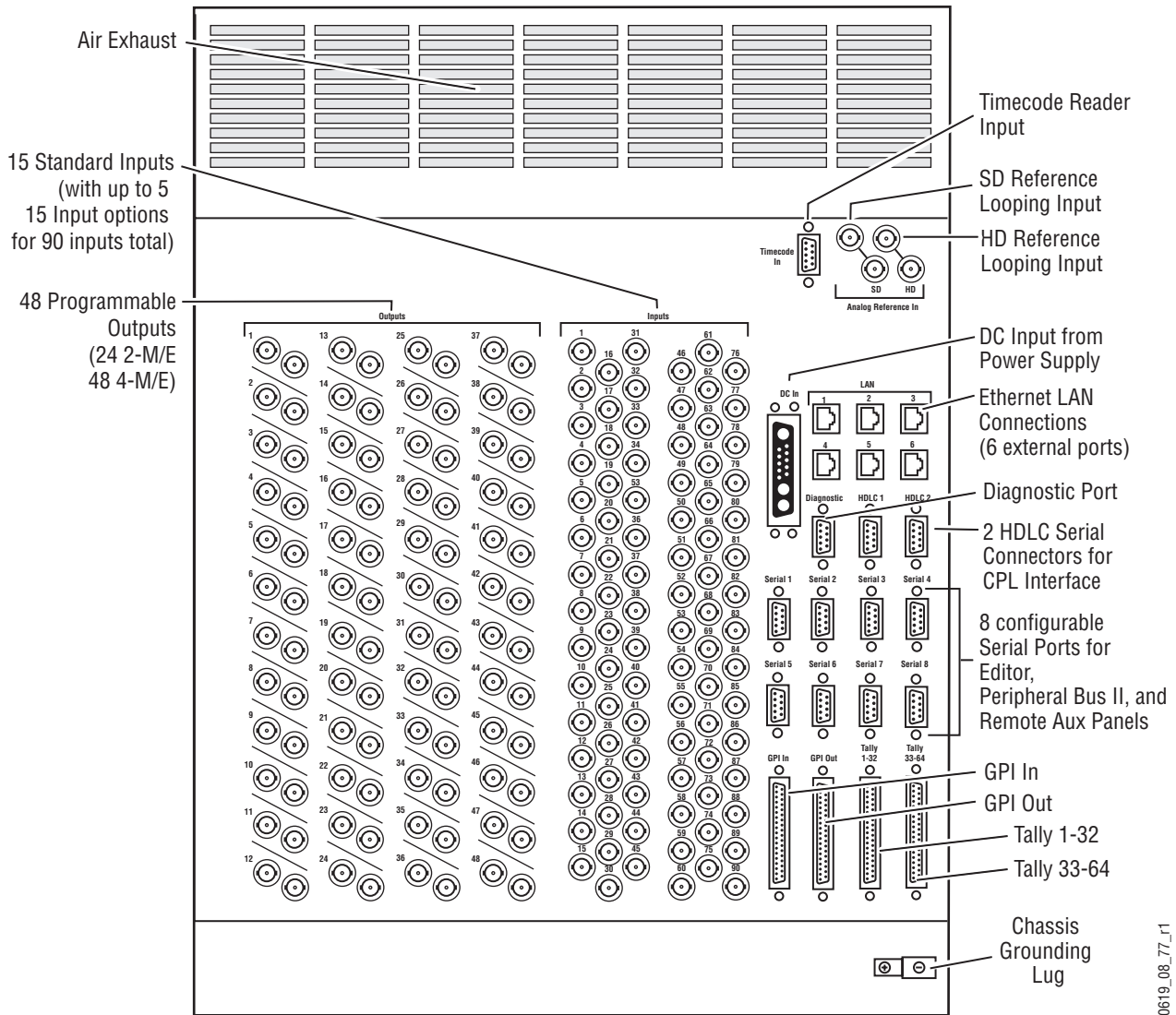
Figure 25. Fully Equipped Kalypso Video Processor Frame Front View, Door Removed



**CAUTION** The front door of the Kalypso Video Processor must remain closed during normal system operation for proper cooling airflow.

The rear of the Video Processor frame has input and output connectors and provides reference and system control connections (Figure 26).

Figure 26. Kalypso Video Processor Frame, Rear View



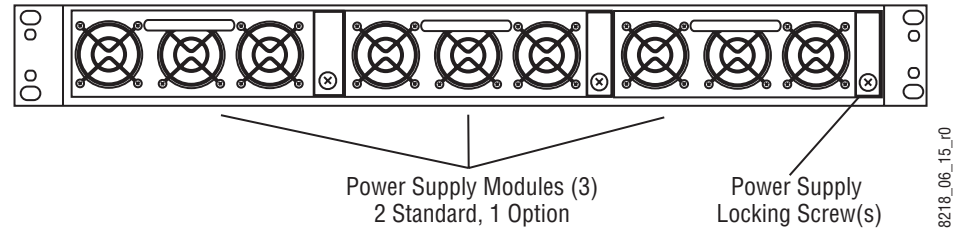
0619\_08\_77\_1

The Kalypso system has been designed for easy maintenance. All modules of the same type (M/E, Transform Engine) are identical, and can be swapped with one another. Modules can be removed and replaced safely with the power on, simplifying troubleshooting to the module level.

## Kalypso Video Processor Power Supply

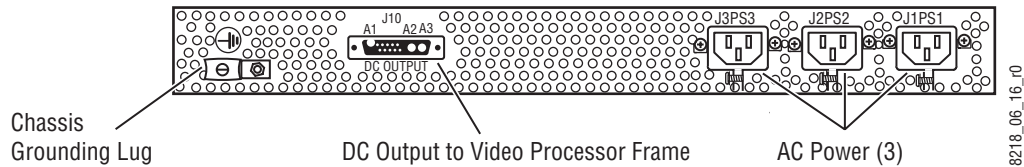
A separate Video Processor Power Supply provides power to the Kalypso Video Processor. The Video Processor Power Supply frame holds up to three Video Processor Power Supply modules (Figure 27). Two modules are required for system operation. The third module is an optional backup. Power supply modules can be installed in any slot, in the Video Processor Power Supply frame.

Figure 27. Kalypso Video Processor Power Supply, Front View



Power connectors are located on the rear of the Video Processor Power Supply (Figure 28), including a special connector for feeding power to the Video Processor. Each module has its own power connection. Though not required, we recommend each module be plugged into a separate AC circuit.

Figure 28. Kalypso Video Processor Power Supply, Rear View



## Video Processor Frame Options

### Still Store Option

The Kalypso Still Store is used to grab, save, and display images. Still Store features include:

- Instant access to non-volatile stills (fixed names “Still 1”, “Still 2”, etc.),
- Up to 1800 full frame images,
- Full frame grab,
- Partial frame (fenced) grab
- Image positioning and cropping,
- Animation,
- Display entire frame, or on interlaced formats display each field with either field interpolation or replication,
- Video key pairs,
- Grabbed images automatically saved to Still Store hard disk,
- Thumbnails,
- Eight outputs that can be used independently,
- Preview bus shows Still Store output #8,
- E-MEM control of still output loading, and
- Machine Control subpanel control of still output loading.

An additional KlipCache memory option is also available to increase the storage capacity of the Still Store cache.

Sources to be captured are selected on the Local Aux panel. That source can then be grabbed, repeatedly if necessary, until the desired image is caught. The captured image is then saved to the Still Store hard disk. Any still image can be assigned to any of the eight Still Store outputs. These outputs are internal Kalypso system sources, which can be mapped to any desired source select buttons.

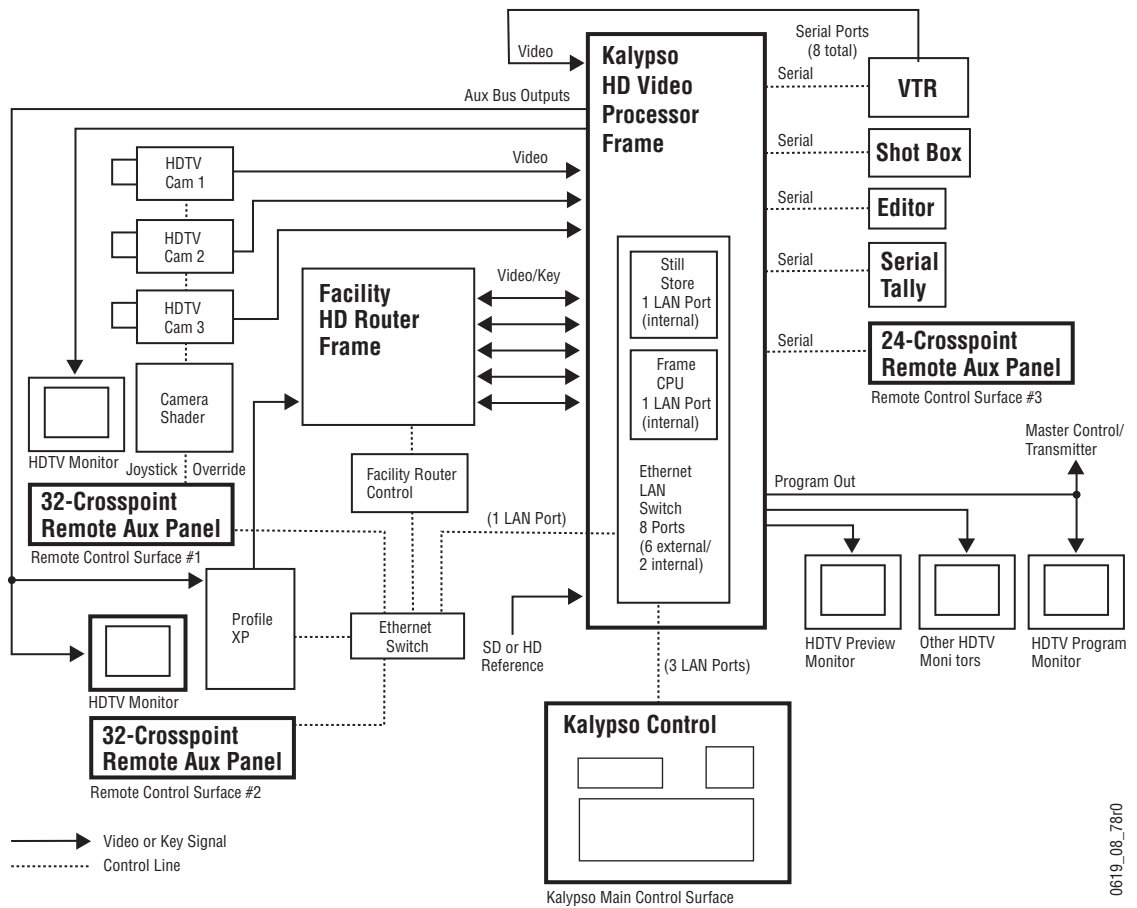
### Transform Engine Option

The Kalypso Transform Engine option provides 3-D planar image translation and transformation from within the Kalypso system. Each Transform Engine module houses three Transform Engines. Up to two Transform Engine modules can be installed in a Kalypso system, permitting manipulation of six video and key pairs at the same time. A Global channel is also available on each M/E for easy control of complicated transforms. The Kalypso system uses its Effects Send feature to supply translation and transformation capabilities to any keyer on any M/E.

# Kalypso Facility Example

A simplified diagram of a small live studio is shown in [Figure 29](#). In this facility the Kalypso Video Production Center has control of a portion of the facility router for pre-selecting various sources into the switcher. The camera control operator is able to remotely control a Kalypso Aux bus for selecting camera views to shade. A Profile VDR operator also remotely controls an Aux bus for recording selected iso cameras. After the clips have been recorded to the Profile, the Technical Director at the Kalypso Main panel can select and roll the Profile clips from his location. This facility also has a Krystal DPM system configured for Effects Send. The Technical Director can recall and run DPM effects from the Kalypso Main panel.

Figure 29. Basic Live Production Studio System Configuration Example



0619\_08\_78r0

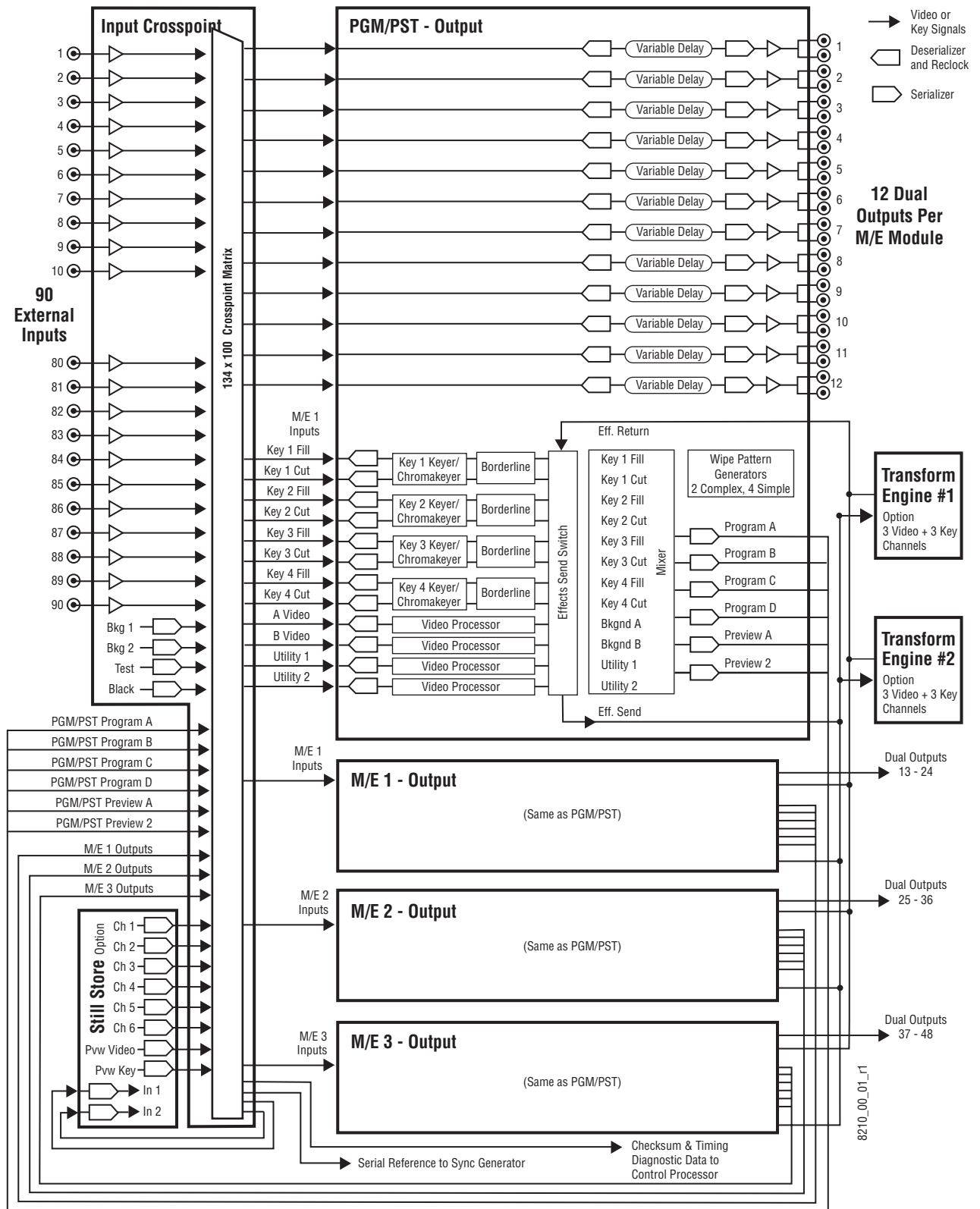
# Functional Overview

## Video Signal Flow

The Kalypso Video Production Center has been designed for operational flexibility. This is reflected in the basic system architecture ([Figure 30 on page 47](#)). For example, all the outputs from every M/E are routed back to the video crosspoint matrix, making all these signals accessible to the entire system.

The Kalypso system does not have any dedicated inputs or outputs. The inputs and outputs of the system can be assigned as needed. For example, after defining the program, preview, and any other necessary signal outputs, all the remaining outputs can be configured as Aux buses.

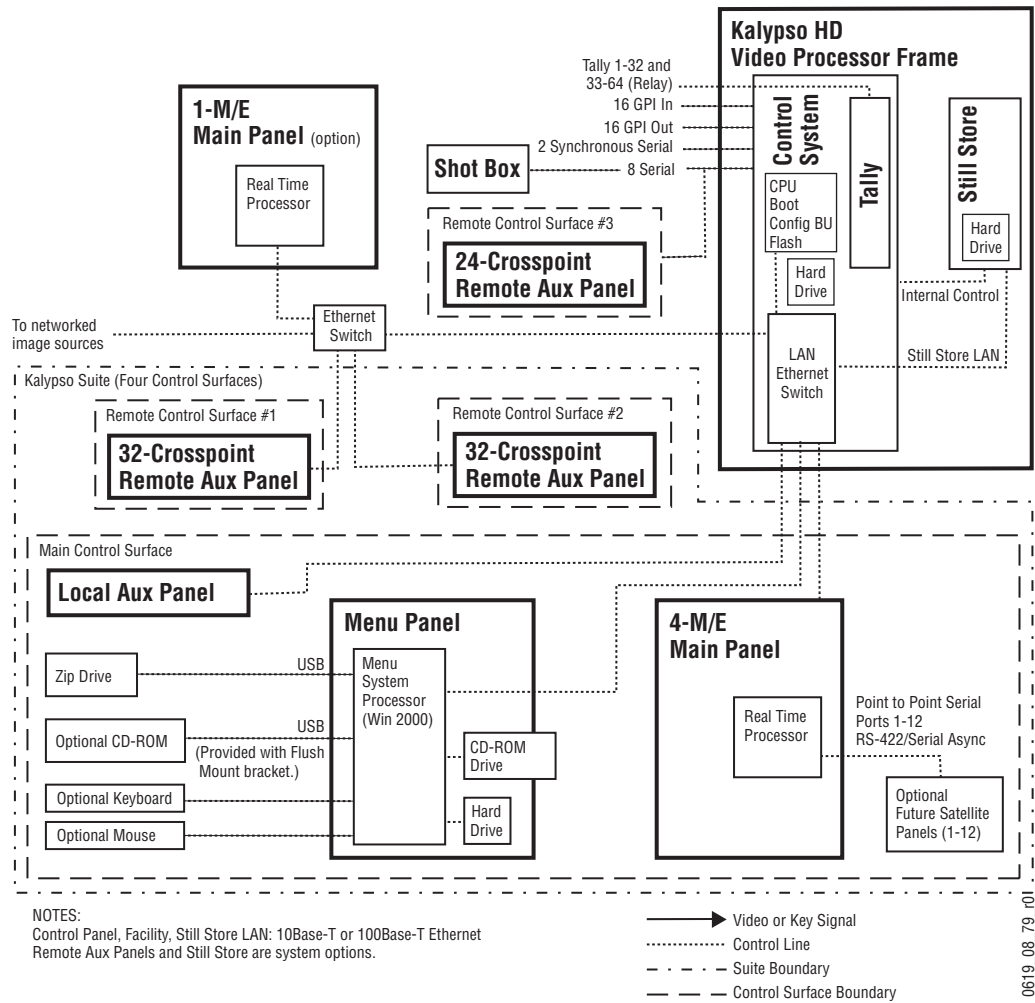
Figure 30. Simplified Video Flow Diagram



## Kalypso HD System Control

Kalypso HD system control is designed for flexibility and simplicity (Figure 31). A built-in Ethernet switch and other standard data interfaces are used for system component interconnections. Multiple hard disks are included to permit storage of large numbers of data files. A Windows OS drives the Menu panel touch screen, which is an SVGA monitor.

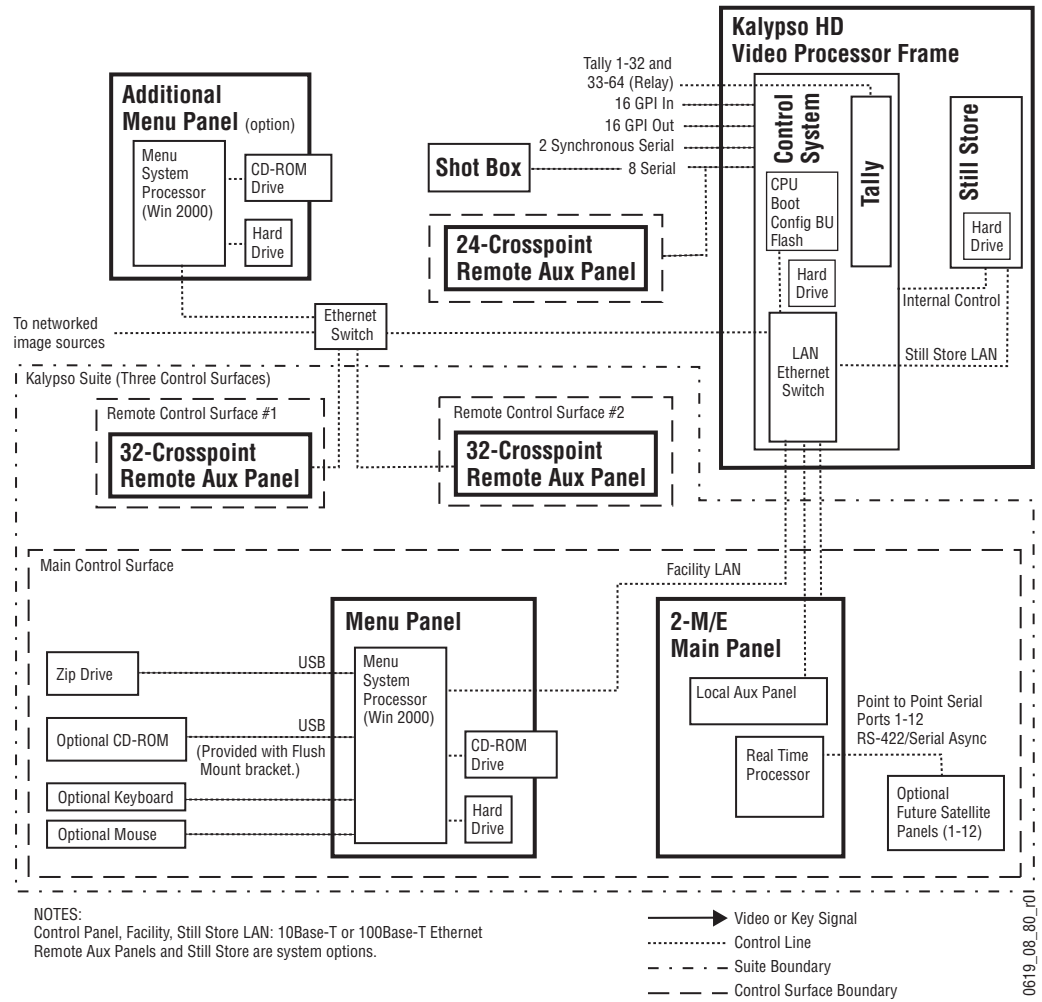
Figure 31. 4-M/E Kalypso HD Control





2-M/E Kalypso system control is the same as the 4-M/E Kalypso system, except the Local Aux panel is built into the 2-M/E Main panel (Figure 32).

Figure 32. 2-M/E Kalypso Control





# Installation

This section describes the installation and setup of Kalypso hardware. Software installation and configuration is described in *Section 3-Configuration*.

**Note** Detailed procedures in this section apply to the installation of late model Kalypso systems equipped with an Enhanced Menu panel. Refer to [page 124](#) if you are installing an earlier model Kalypso system.

## Pre-Installation Procedures

Before you physically install the Kalypso system, familiarize yourself with the tools required, physical specifications, and safety and power requirements covered in this section.

### System Survey

Check all parts received against the packing list enclosed with your shipment, and examine the equipment for any shipping damage. Immediately report any missing or damaged items to the carrier and to your Grass Valley Service Representative.

### Line Voltage

Kalypso components utilize autoranging power supplies which accommodate all facility supply voltages. No switch settings are required, nor are any possible.

### Required Tools

The following tools are required for installation, but are not supplied:

- Medium flat blade screwdriver,
- Medium Philips cross head screwdriver,
- #10, #15, & #20 Torx screwdrivers, and
- 1/4 inch Hex driver.

## Customer Supplied Equipment

All Ethernet hardware and cabling is to be supplied by the customer. Note that an Ethernet switch (not a hub) is required for Kalypso system operation.

## Safety Requirements

To prevent injury or equipment damage, read, understand, and follow all installation safety precautions.

**WARNING** The Video Processor frame weighs approximately 72.57 kg (160 lb). Provide appropriate equipment to support the frame during installation.

**WARNING** Electrical potential is still applied to some internal components even when power to the frame is off. To prevent electrical shock when working on this equipment, disconnect the AC line cord from the AC source before working on any internal components. Residual voltage may be present immediately after unplugging the system; wait thirty seconds to allow capacitors to discharge before working on the system.

**CAUTION** To avoid static damage to sensitive electronic devices, protect the Kalypso system from static discharge. Avoid handling frame modules in a high static environment. Use a grounding strap when handling modules, and touch the frame before you remove any modules.

## Installation Tasks

After completing the Pre-Installation procedures, installation tasks should be completed in the following order:

1. Unpack the equipment.
2. If desired, perform a bench test to ensure that the major system components are operational (see [page 53](#)).
3. Install the Kalypso Video Processor frame ([page 62](#)), Video Processor Power Supply ([page 74](#)), and any Video Processor frame hardware options (modules) that are not already installed in the frame.
4. Install the Kalypso Main panel ([page 76](#)).
5. Install the Kalypso Menu panel ([page 97](#)) and removable media Zip drive ([page 106](#)).
6. On 4-M/E Kalypso systems only, install the Local Aux panel ([page 111](#)).
7. Connect control (Ethernet) equipment and cables ([page 116](#)).
8. If necessary, configure Ethernet IP addresses (see [page 134](#)).

9. Connect cables to video inputs and outputs ([page 119](#)).
10. Connect the Kalypso system equipment power cables.
11. Test power, system communications, and basic system operation.
12. Install and test any Main panel options ([page 85](#)).
13. Connect cables for any external interfaces, configure the external interfaces, and test them for proper operation (see *External Interfaces on page 293*).

After installation, additional configuration steps are required to make the Kalypso system fully operational for your facility (see *Configuration on page 131*).

## Bench Test

It is wise to do a preliminary test before installing system components at their final locations. It is easier to diagnose and correct problems if the components are in close proximity. This bench test ensures that the major components power up, communicate with one another, generate video signals, and pass video from an input to an output.

### Materials Required

To perform this bench test you will need the following:

- HD Serial digital signal source (signal generator or video source),
- House reference Tri Level Sync signal,
- HD Serial digital picture monitor,
- Two 75  $\Omega$  video cables and a 75  $\Omega$  terminator,
- Three Ethernet Category 5 cables.

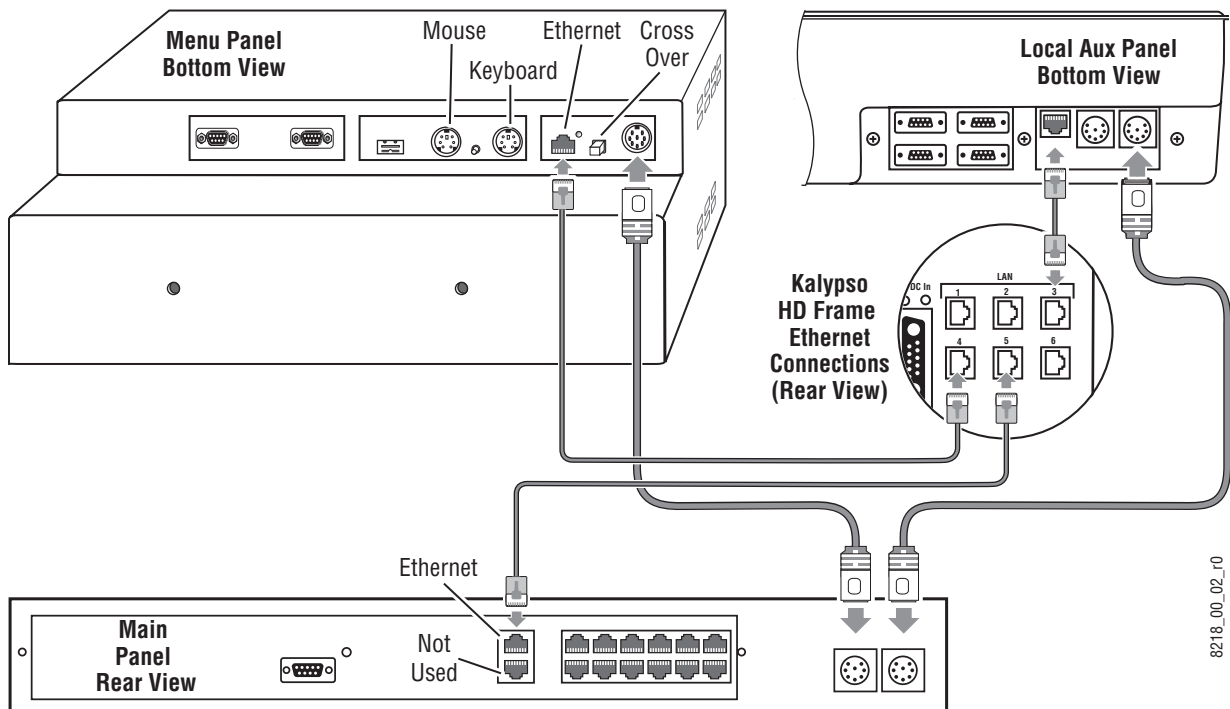
**Note** Known good condition Category 5 cables must be used. Using second-hand cables with an unknown history will compromise test validity.

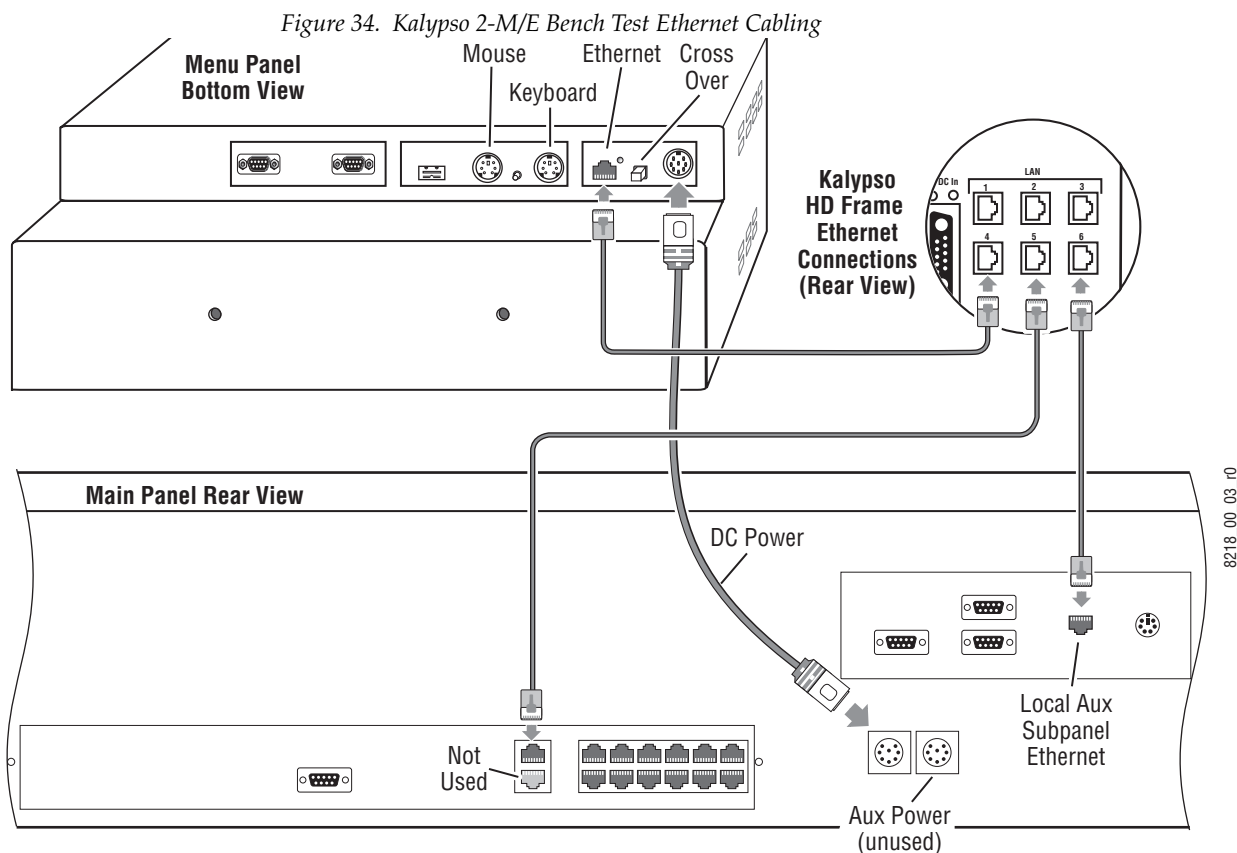
## Bench Test Procedure

**Note** This test uses Kalypso system default IP addresses and should be performed in isolation from any existing facility LAN.

1. Unpack the Video Processor frame, Video Processor power supply, Menu panel, and the Local Aux panel (2-M/E systems do not have a separate Local Aux panel). Ensure all fan vents are fully exposed and all units are disconnected from any power sources.
2. Ensure all the boards in the front bay of the Video Processor frame are properly seated.
3. Ensure the power supply modules in the Video Processor power supply are properly seated.
4. Connect the supplied multi-pin DC power cable from the Video Processor frame to the Video Processor power supply.
5. Connect Cat 5 straight-through Ethernet cables from ports on the Video Processor frame to each of the following locations (see [Figure 33](#) and [Figure 34](#)).
  - Main panel (the upper port of two),
  - Menu panel (LAN),
  - Local Aux panel (on 2-M/E systems the Local Aux panel LAN connector is located on the upper rear of the Main panel),

Figure 33. Kalypso 4-M/E Bench Test Ethernet Cabling

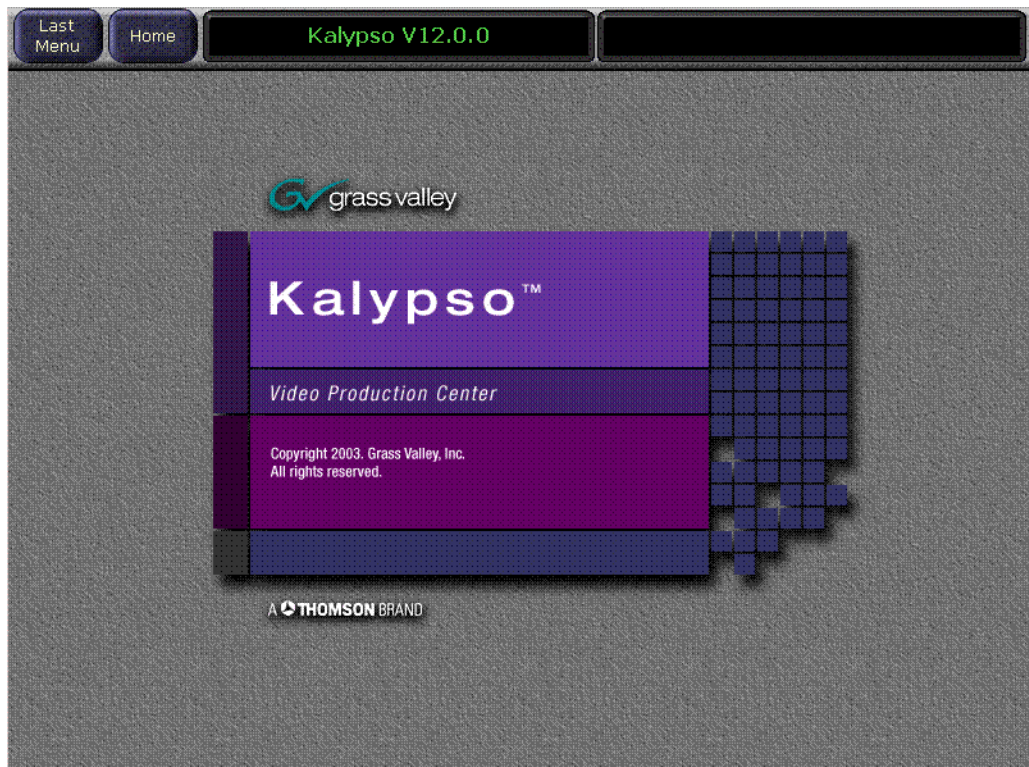




6. Connect the supplied 8-pin DIN power cable from the Main panel to the Menu panel.
7. On 4-M/E systems, connect the supplied 8-pin DIN power cable from the Main panel to the Local Aux panel.
8. Plug in all the AC power cables to the Video Processor power supply (Figure 46 on page 75). The ACG (AC Good) LEDs on the front of each power supply module should illuminate, indicating AC power is present.
9. Turn on all the power supply modules (see Figure 47 on page 75) and ensure the DCG (DC Good) power indicators on the front of each power supply module illuminates and the fans spin.
10. Open the front door of the Video Processor frame and turn on the power switch located on the Control Module in slot 1. Confirm the DCG (DC Good) power indicators on the front of each power supply module illuminates and the fans spin.
11. Open the Main panel and turn on the Primary and (if present) Redundant power supply switches (see Figure 109 on page 132). Ensure the Main panel power indicators illuminate and the fans spin. Allow the system to boot up completely.

12. The Main panel feeds power to the Menu panel and Local Aux panel. Ensure these devices power up along with the Main panel.
13. On the rear of the Menu panel confirm the LAN indicator LED is illuminated, indicating a physical Ethernet connection exists.
14. Default IP addresses assigned at the factory allow the system to operate in a stand-alone environment. If a **No Communication With Frame** message appears on any device, a LAN problem probably exists. Check the LAN cable connections and the operational status of the Ethernet switch.
15. The Menu panel should now display the Kalypso splash screen (Figure 35). This confirms the Menu panel is running the Kalypso software.

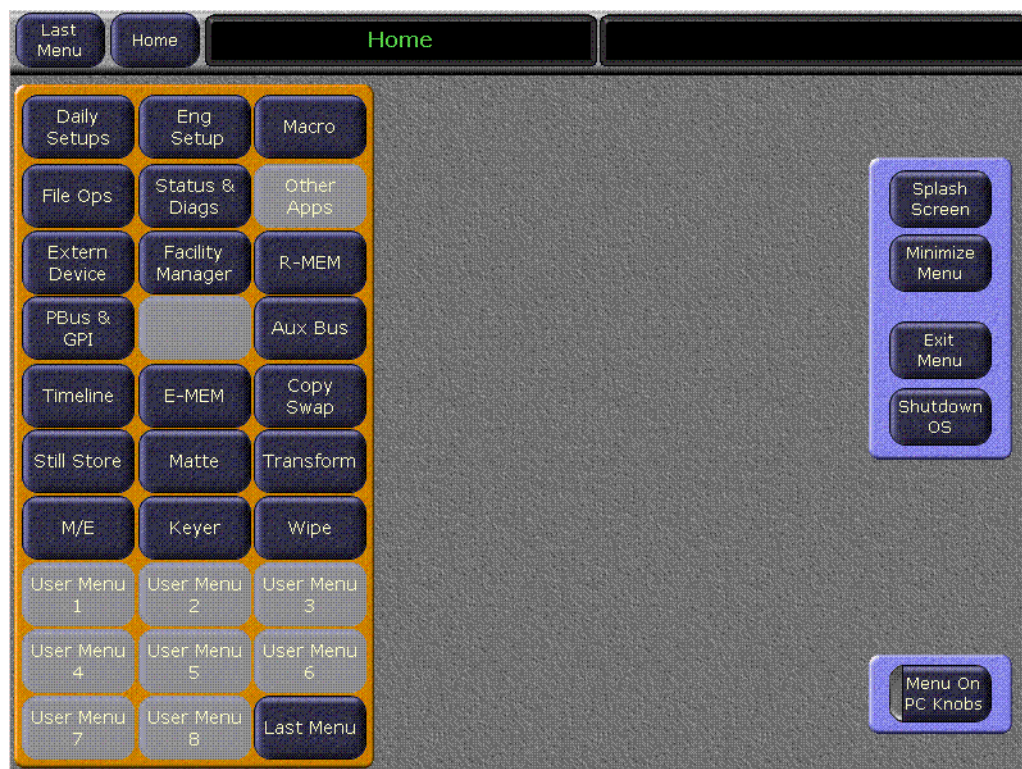
Figure 35. Kalypso Splash Screen





16. Touch the **Home** button on the top line of the touch screen to bring up the Home menu (Figure 36).

Figure 36. Kalypso Home Menu



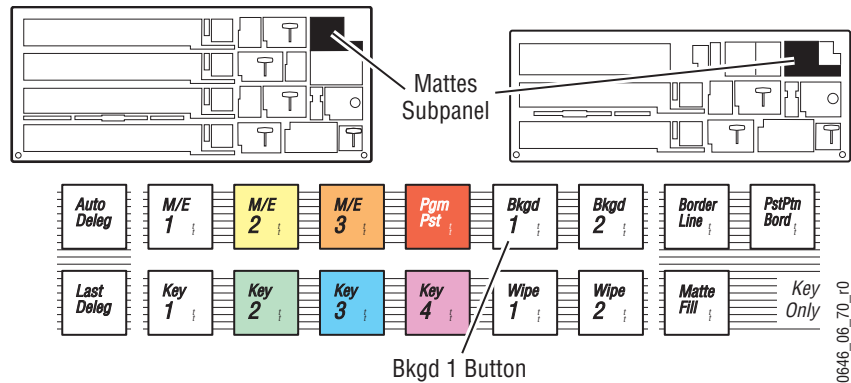
17. Touch the **Status & Diags** button to go to the Versions menu (Figure 37). The software reported for each system component should be the latest version, and all the versions should be the same (if the Still Store option is not installed its version will be blank). This confirms the correct Kalypso software is loaded on all system components.

Figure 37. Kalypso Versions Menu



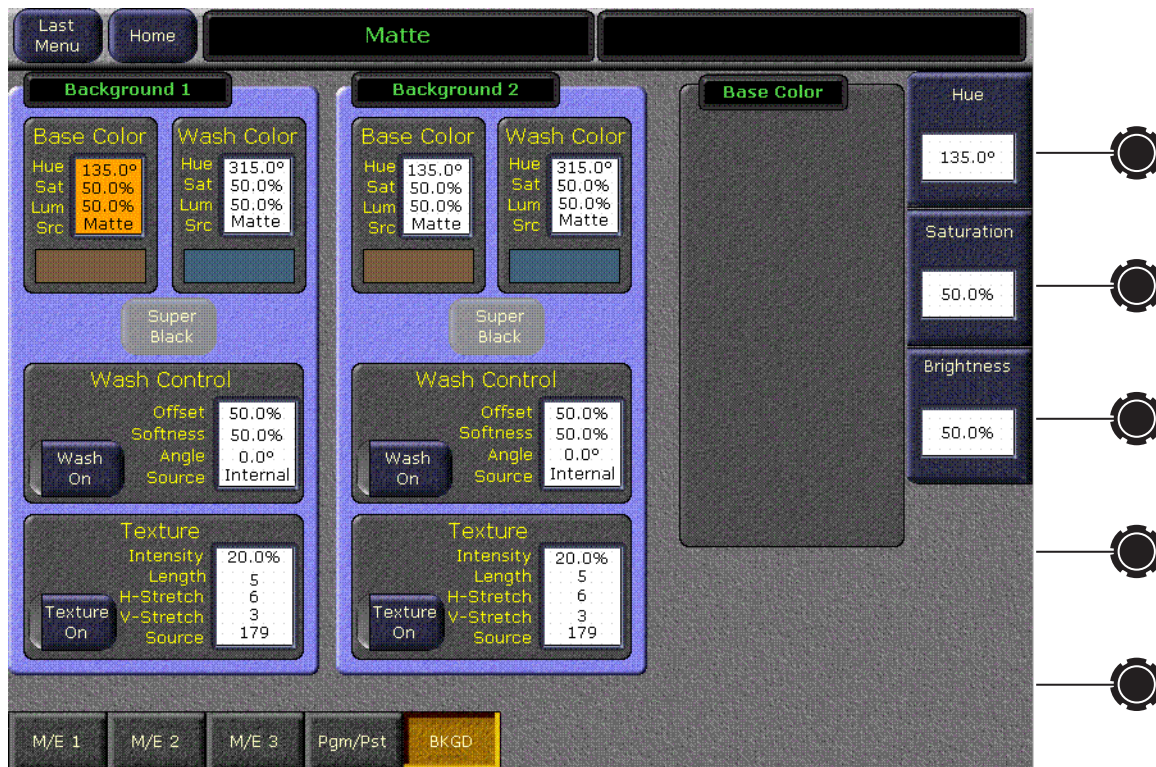
18. Locate the **Bkgd 1** button on the Main panel in the Mattes subpanel (Figure 38).

Figure 38. Bkgd 1 Button Location



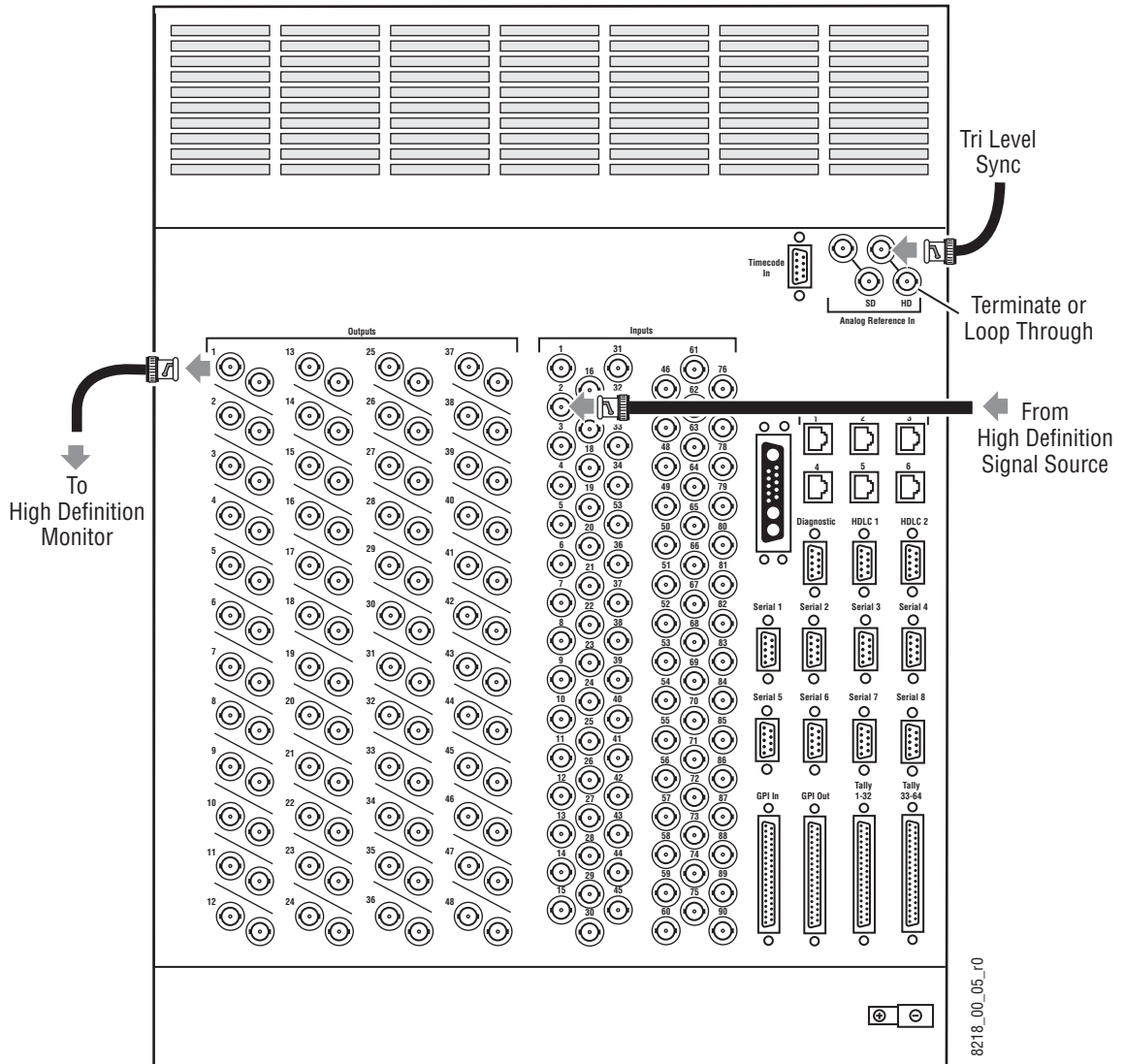
19. Press the **Bkgd 1** button twice rapidly (double press). The Menu panel touch screen should change to the Matte menu (Figure 39). This confirms communication between the Main panel and Menu panel.

Figure 39. Kalypso Matte Menu



20. The Local Aux panel should have one source selection button on each bank illuminated. Press a different source selection button. The button you pressed should illuminate. This confirms the Local Aux panel is communicating with the Video Processor frame.
21. The following video signal cables need to be connected to the rear of the Video Processor frame (Figure 40):
- Connect an analog reference signal to J1 of the Reference In module (Slot B17), and loop through or terminate J2.
  - Connect a serial digital monitor to J13 (Output #47) of the Effects Send module (slot B11) at the rear of the Video Processor frame. By default this is the PGM PST bank Program A output.
  - Connect a known good serial digital video source to J2 (Input #2) on Input Module 1 (slot B10) at the rear of the Video Processor frame. By default this input maps to the second source selection button.

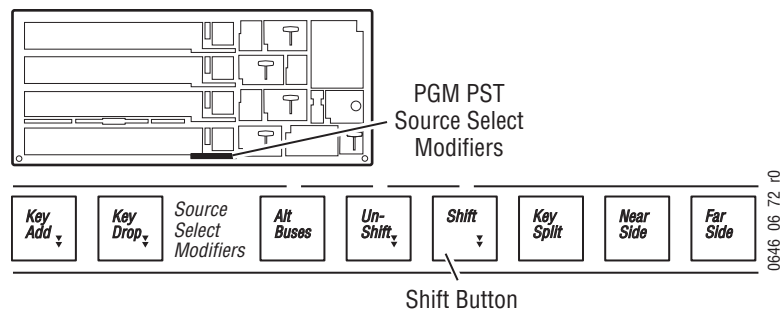
Figure 40. Bench Test Video Connections



22. Move the transition lever arms on all M/Es to either limit (all the way up or down).
23. The Kalypso system should have come up with the left most source selection button illuminated on all banks, which by default is black. If it is not selected, do so now. Black should appear on the monitor.

24. Hold down the **Shift** button for the PGM PST bank (Figure 41), and press the left most source select button. This shifted source selection is by default a test signal, which should appear on the monitor. This confirms the system is generating and outputting video.

Figure 41. PGM PST Shift Button Location



25. Press the right most source select button on the A bus of PGM PST bank. This is by default the **Bg 1** matte signal, which should appear on the monitor. Return to the Matte menu by double pressing the **Bkgd 1** button (refer to Step 19). You should now be able to change the color of the matte with the top **Hue** knob on the right side of the Menu panel. This confirms you can control video generated by the system.
26. Press the second to the left button on the A bus of the PGM PST bank (by default this button is labeled **2**). You should see the source you connected to J2 on slot B10 on your monitor. This confirms the system passes video from input to output.

This concludes the bench test. If you encountered any problems contact Grass Valley Customer Service to resolve the issue before you proceed with your actual system installation.

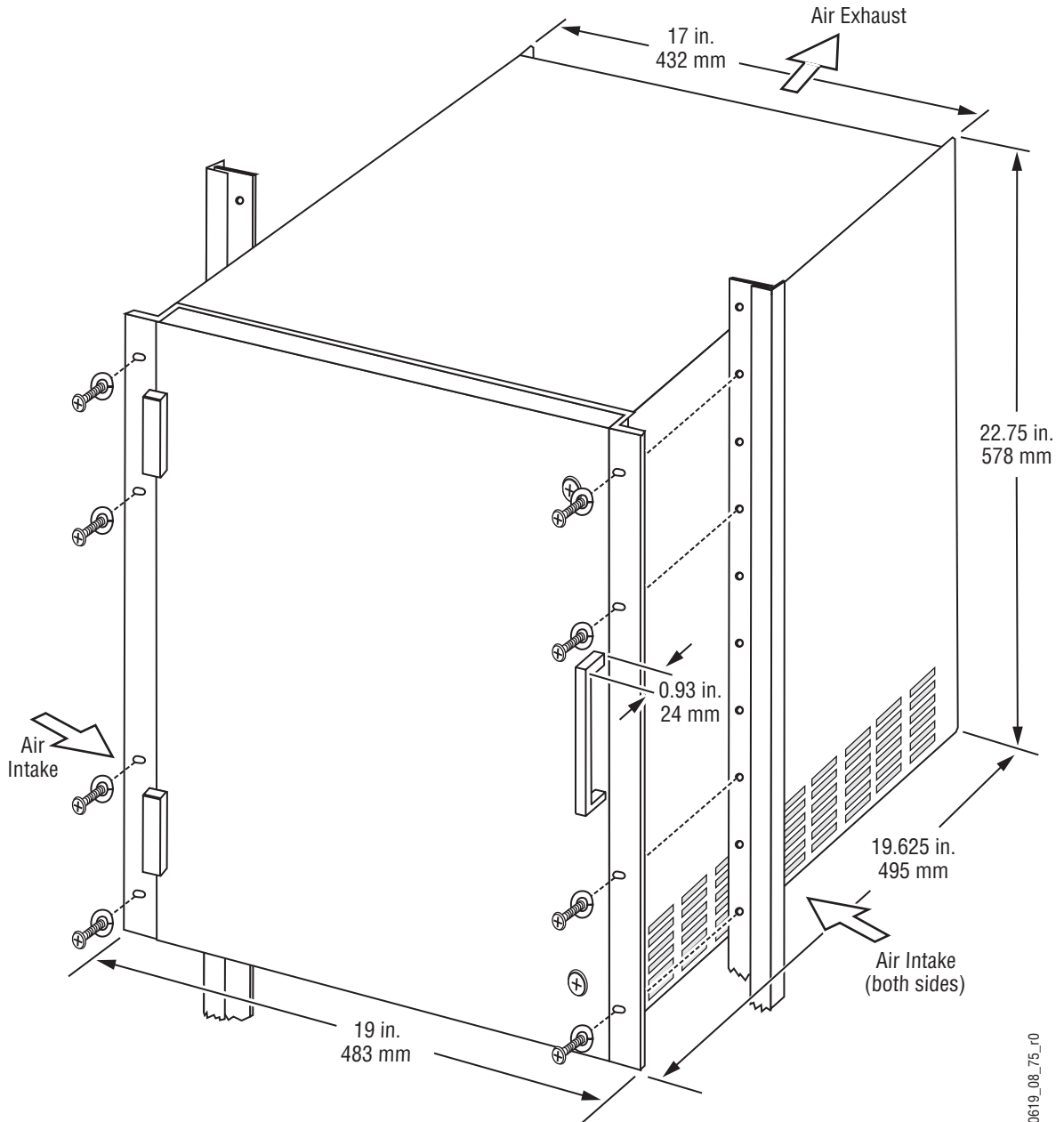
## Bench Ethernet Configuration

With the Kalypso system powered up and operational using default settings, now is a good time to re-configure your Ethernet communications if this is necessary for your facility. After re-configuration, you will be able to connect the Kalypso system to your facility network and confirm the settings are compatible. See [page 116](#) and [page 134](#) for more information.

## Video Processor Frame Installation

The Kalypso HD Video Processor frame is a 13 rack unit chassis which mounts in a standard 483 mm (19 in.) rack (Figure 42). It has a built-in cooling system consisting of a fan/plenum mounted in the upper section of the frame, and an air filter in the lower section. Cooling air is drawn in at the lower sides of the frame, up through the filter and modules, then expelled out the back of the fan/plenum unit.

Figure 42. Kalypso HD Video Processor Frame Rack Installation



## **Air Filter Inspection and Cleaning**

The Kalypso HD Video Processor frame moves a high volume of air for cooling. If the air filter becomes clogged, cooling will be compromised and the frame can overheat and shut down. If this occurs, after cool down the frame will power back up automatically, but if the filter is not cleaned the frame will probably overheat again.

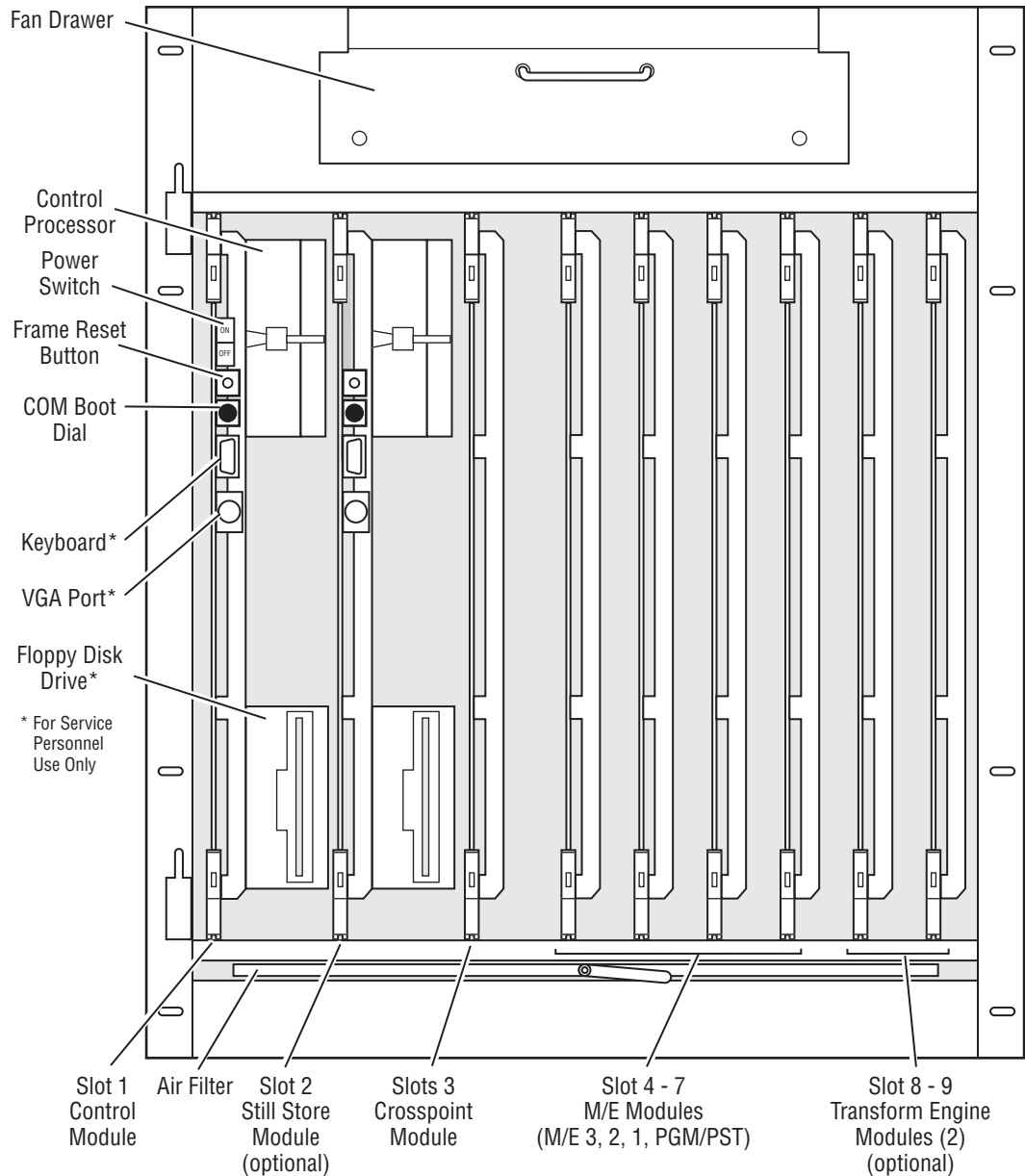
After initial installation, the Video Processor frame air filter should be inspected at least once a week to determine how often the filter will need to be cleaned. In dusty environments the filter may need to be cleaned weekly, while in extremely clean environments an annual cleaning may be all that is necessary.

## 4-M/E Video Processor Frame

The Kalypso Video Processor frame has a front bay that provides access to the Fan Drawer, Air Filter, and removable modules (Figure 43).

**CAUTION** For clarity, the Video Processor frames are shown with the front door removed. The front door must remain in place and closed during normal system operation to maintain maximum cooling efficiency.

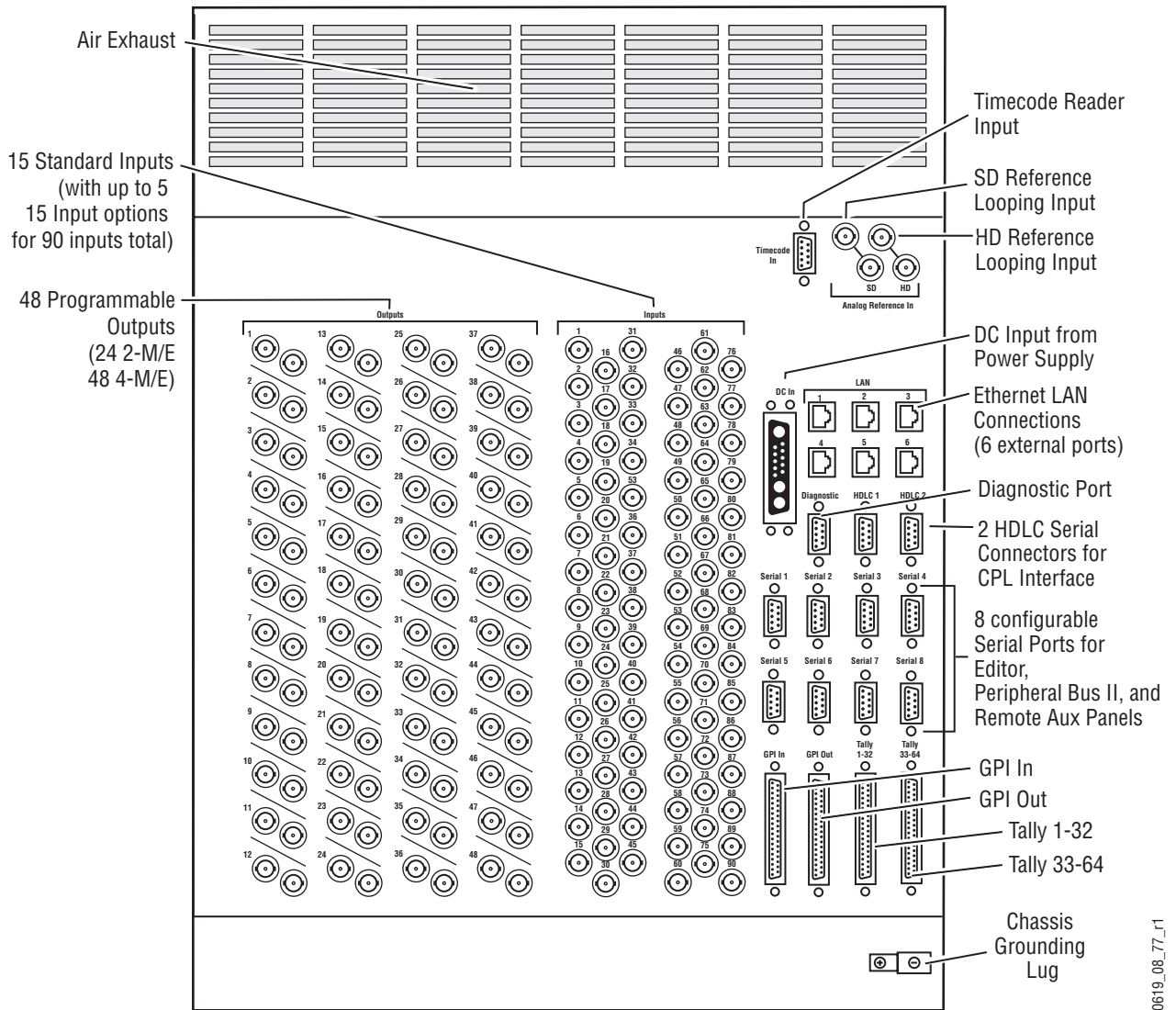
Figure 43. Fully Equipped 4-M/E Kalypso Video Processor Frame, Front View





Power, control, and video connections are made at the rear of the Video Processor (Figure 44).

Figure 44. 4-M/E Kalypso Video Processor Frame, Rear View



0619\_08\_77\_1

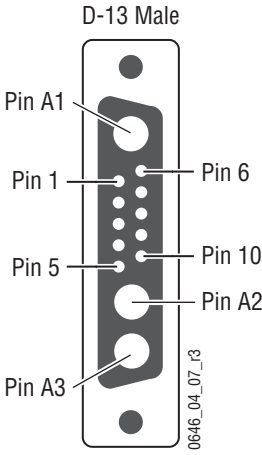
## 2-M/E Video Processor Frame

The 2-M/E Kalypso system uses the same frame hardware as the 4-ME Kalypso system, except some slots are not filled in the standard configuration. Because only two M/Es are standard (M/E 1 and PGM PST), only two M/E modules are provided. The 2-M/E Kalypso system can be upgraded by adding M/E modules.

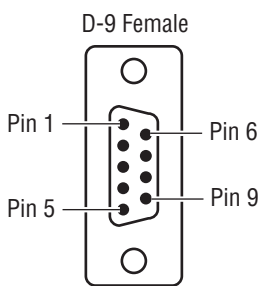
## Video Processor Pinouts

### DC Input

Table 1. DC Power Input Connector

DC Input - J1	Pin	Function
	A1	48+ Volts Main
	A2	48- Volts Main
	A3	Chassis Ground
	1	Power Module #1 not present if open. Connect to pin 10 if installed.
	2	Power Module #2 not present if open. See pin 1.
	3	Power Module #3 not present if open. See pin 1.
	4	Power Module #1 DC fail output. Low if DC OK. High or open if DC failed, front panel switch off, or module absent.
	5	Power Module #2 DC fail output. See pin 4.
	6	Power Module #3 DC fail output. See pin 4.
	7	DC Disable Input. Open circuit disables all power modules. Connected to thermostat that opens at high temperature. DC power enabled when connected to pin 10.
8	Unassigned	
9	Unassigned	
10	Common. Return path for control signals. Connected to chassis via load wiring	

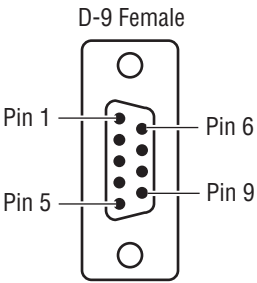
### Timecode Port

Linear Timecode	Pin	Function
	1	Not Used
	2	Not Used
	3	Not Used
	4	Chassis Ground
	5	LTC +
	6	Not Used
	7	Chassis Ground
	8	Not Used
	9	LTC -

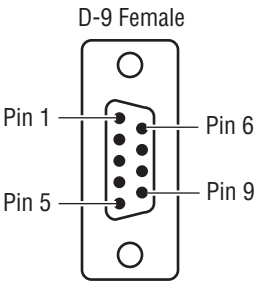
**Notes:**

Currently unused. A time code reference may be supplied as VITC on the reference input or as LTC to this DB-9.

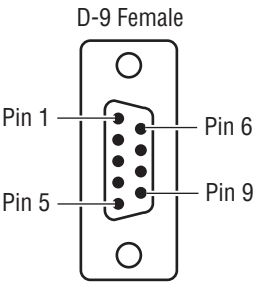
## Diagnostic Port

Diagnostic (RS-232)	Pin	Function (DCE)
 <p>D-9 Female</p> <p>Pin 1</p> <p>Pin 5</p> <p>Pin 6</p> <p>Pin 9</p>	1	DCD
	2	TX
	3	RX
	4	DSR
	5	Ground
	6	DTR
	7	CTS
	8	RTS
	9	Not Used

## CPL Port

CPL (RS-422)	Pin	Function (CPL)
 <p>D-9 Female</p> <p>Pin 1</p> <p>Pin 5</p> <p>Pin 6</p> <p>Pin 9</p>	1	Chassis Ground
	2	RX -
	3	TX +
	4	Chassis Ground
	5	Not Used
	6	Common (Ground)
	7	RX +
	8	TX -
	9	Chassis Ground

## Serial Ports

Serial (RS-422)	Pin	Function (Serial)
 <p>D-9 Female</p> <p>Pin 1</p> <p>Pin 5</p> <p>Pin 6</p> <p>Pin 9</p>	1	Chassis Ground
	2	RX -
	3	TX +
	4	Chassis Ground
	5	Not Used
	6	Common (Ground)
	7	RX +
	8	TX -
	9	Chassis Ground

**Notes:**

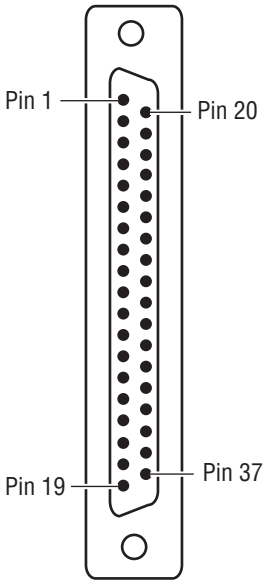
The data directions specified on pins 2&7 and 3&8 as RX and TX may be reversed in software configuration.

Serial port assignments can be changed in software. The defaults are listed in [Table 2](#).

Table 2. *Kalypso Default Serial Port Assignments*

Assigned Function	Port Name
DPM Device #1	CPL 1
DPM Device #2	CPL 2
Peripheral Bus II	Serial 1
Unassigned	Serial 2
Editor Interface	Serial 3
Unassigned	Serial 4
Tally Contribution	Serial 5
Unassigned	Serial 6
Unassigned	Serial 7
Remote Aux Panel	Serial 8

## GPI Inputs

GPI In	Pin	Function	Pin	Function
 <p>D-37 Female</p> <p>Pin 1</p> <p>Pin 20</p> <p>Pin 19</p> <p>Pin 37</p>	1	Chassis Ground	20	IN 1 B
	2	IN 1 A	21	IN 2 B
	3	IN 2 A	22	IN 3 B
	4	IN 3 A	23	IN 4 B
	5	IN 4 A	24	Chassis Ground
	6	IN 5 A	25	IN 5 B
	7	IN 6 A	26	IN 6 B
	8	IN 7 A	27	IN 7 B
	9	IN 8 A	28	IN 8 B
	10	Chassis Ground	29	IN 9 B
	11	IN 9 A	30	IN 10 B
	12	IN 10 A	31	IN 11 B
	13	IN 11 A	32	IN 12 B
	14	IN 12 A	33	Chassis Ground
	15	IN 13 A	34	IN 13 B
	16	IN 14 A	35	IN 14 B
	17	IN 15 A	36	IN 15 B
	18	IN 16 A	37	IN 16 B
	19	Chassis Ground		

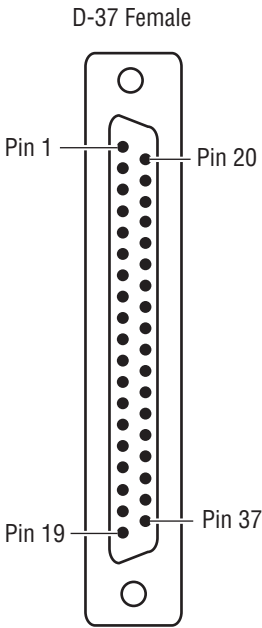
**Notes:**

Inputs are opto-isolated.

A and B are polarity independent.

Apply from 5 to 24 volts between A and B to turn on.

## GPI Outputs

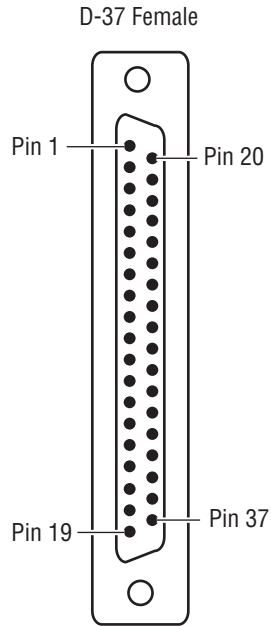
GPI Out	Pin	Function	Pin	Function
 <p>D-37 Female</p> <p>Pin 1</p> <p>Pin 20</p> <p>Pin 19</p> <p>Pin 37</p>	1	Chassis Ground	20	Out 1 B
	2	Out 1 A	21	Out 2 B
	3	Out 2 A	22	Out 3 B
	4	Out 3 A	23	Out 4 B
	5	Out 4 A	24	Chassis Ground
	6	Out 5 A	25	Out 5 B
	7	Out 6 A	26	Out 6 B
	8	Out 7 A	27	Out 7 B
	9	Out 8 A	28	Out 8 B
	10	Chassis Ground	29	Out 9 B
	11	Out 9 A	30	Out 10 B
	12	Out 10 A	31	Out 11 B
	13	Out 11 A	32	Out 12 B
	14	Out 12 A	33	Chassis Ground
	15	Out 13 A	34	Out 13 B
	16	Out 14 A	35	Out 14 B
	17	Out 15 A	36	Out 15 B
	18	Out 16 A	37	Out 16 B
	19	Chassis Ground		

**Notes:**

Outputs are normally open relay closures between A and B  
 30 volts maximum open circuit between A and B.  
 1 amp maximum.

## Tally

Tally Ports	Pin	Tally 1-32	Tally 33-64
	1	Tally 1	Tally 33
	2	Tally 2	Tally 34
	3	Tally 3	Tally 35
	4	Tally 4	Tally 36
	5	Tally 5	Tally 37
	6	Tally 6	Tally 38
	7	Tally 7	Tally 39
	8	Tally 8	Tally 40
	9	Tally 9	Tally 41
	10	Tally 10	Tally 42
	11	Tally 11	Tally 43
	12	Tally 12	Tally 44
	13	Tally 13	Tally 45
	14	Tally 14	Tally 46
	15	Tally 15	Tally 47
	16	Tally 16	Tally 48
	17	Tally 17	Tally 49
	18	Tally 18	Tally 50
	19	Tally 19	Tally 51
	20	Tally 20	Tally 52
	21	Tally 21	Tally 53
	22	Tally 22	Tally 54
	23	Tally 23	Tally 55
	24	Tally 24	Tally 56
	25	Tally 25	Tally 57
	26	Tally 26	Tally 58
	27	Tally 27	Tally 59
	28	Tally 28	Tally 60
	29	Tally 29	Tally 61
	30	Tally 30	Tally 62
	31	Tally 31	Tally 63
	32	Tally 32	Tally 64
	33	Not Used	Not Used
	34	Not Used	Not Used
	35	Not Used	Not Used
	36	Tally Common Tally 1-32	Tally Common Tally 33-64
	37	Chassis Ground	Chassis Ground



## Video Processor Options

Video Processor options include:

- Transform Engine modules,
- Still Store module,
- KlipCache Still Store memory upgrade, and

Refer to [Table 3](#) for details on Video Processor options.

Table 3. Video Processor Module Options

Option	Frame Install Location	Description
Transform Engine (2)	8 or 9	Each option module contains three transform engines.
Still Store (1)	2	Option includes 2 inputs, 8 outputs, 512 MB cache, and hard drive storage for thousands of frames.
KlipCache (1)	Still Store Module	Added 4 GB of cache memory.

It is not necessary to disconnect line power from the Video Processor frame when removing or installing Video Processor frame modules.

### Module Insertion

Modules slide into frame slots and plug into connectors on the frame midplane. To insert a module, slide it slowly into the correct location, avoiding contact with the modules on either side. Ensure that you are inserting a module in an appropriate slot before applying pressure to seat the module. The correct location of each module is indicated on the frame door and midplane by module name, and each module is keyed to prevent installation in the wrong location. For a module to be successfully inserted in any given slot, the keyholes on the module must match the module keys on the midplane.

### Module Removal

To remove a module from the frame, disengage the module from its connection to the midplane by simultaneously pulling up on the upper ejector tab and down on the lower ejector tab. When the module has been unseated, pull it out of the frame slowly while avoiding contact with adjacent modules.



## Kalypso HD KlipCache Option Hardware Installation

The KlipCache option includes two DIMMs that significantly increases cache storage capacity.

**CAUTION** Use anti-static practices when handling the memory modules and Still Store modules.

To install the extra memory:

1. Open the Video Processor frame front access door and remove the Still Store module from slot 2.
2. Lay the Still Store module on its left side onto an anti-static surface (with the DIMMs facing up).
3. Fill the two empty slots with the two new DIMMS provided.

**CAUTION** The Still Store DIMMs use a special access mode. Installing DIMMs different from those supplied with the option may render the Still Store inoperable.

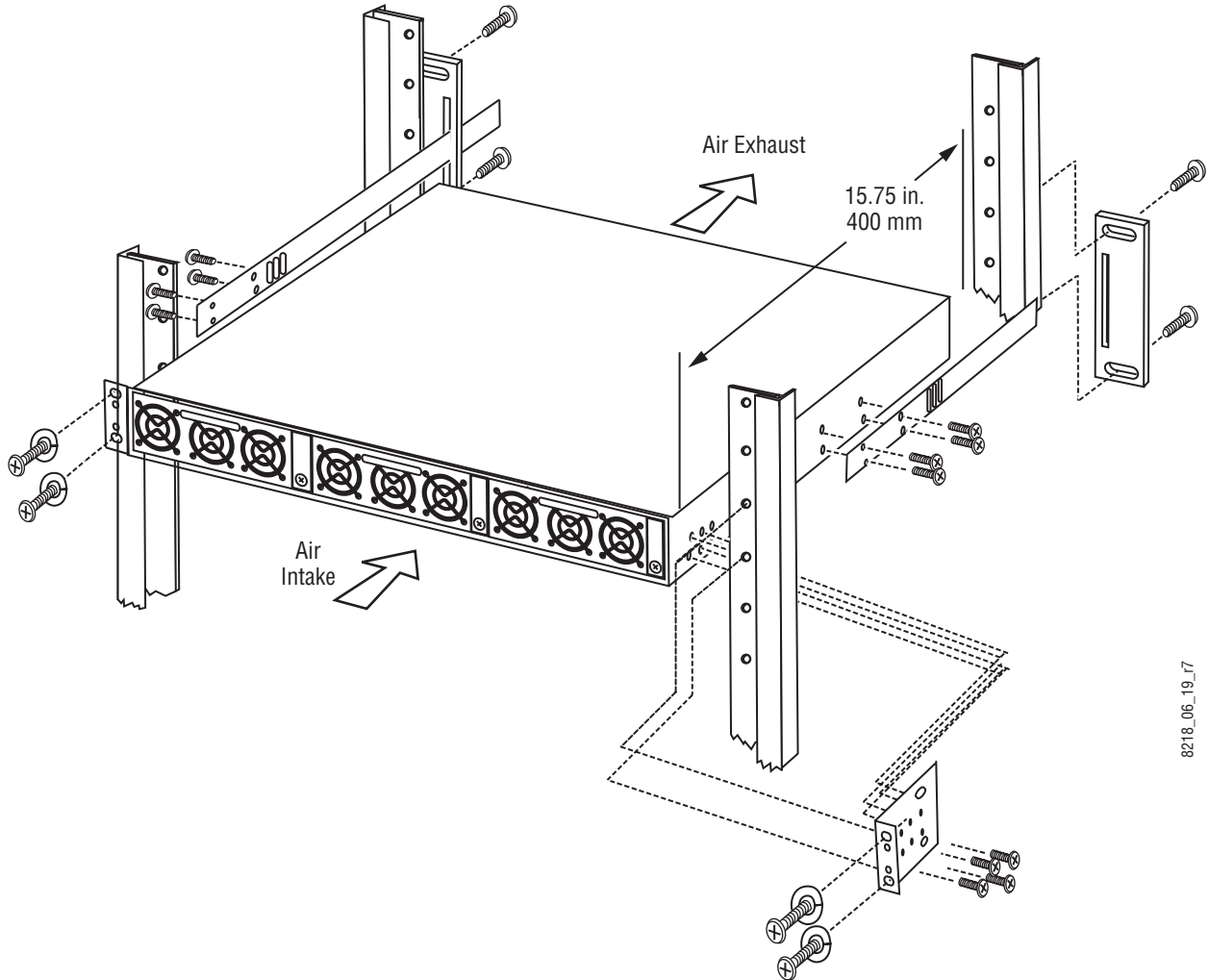
4. Replace the Still Store module in the frame.
5. Go to the Kalypso Install Options menu and ensure that the KlipCache option is enabled. If not, enter your authorization code or, if you do not have your code, contact Grass Valley for assistance.
6. Reset the Video Processor frame Control Module and the Still Store Module.

The extra Still Store memory becomes accessible when 10.1 or higher software is installed and the KlipCache feature is authorized.

## Kalypso Video Processor Power Supply Installation

The KalypsoVideo Processor Power Supply Frame is rack-mountable, occupying 1 rack unit (Figure 45). It is separate from the Video Processor and has its own cooling fans.

Figure 45. Video Processor Power Supply Installation



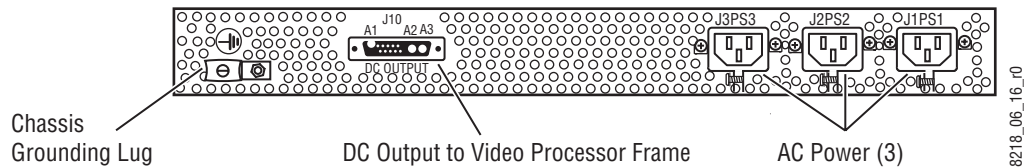
8218\_06\_19\_r7

The power supply frame can contain up to three slide-in modules rated at 1000 watts each. Two power supply modules are required to run the system (in any of the three power supply frame slots). An optional third module may be added to provide redundant power. With three modules installed, one module can fail without causing system failure. Modules are hot-swappable (however it is recommended that power be off before replacing a power supply, whenever possible) and current sharing.

It is recommended that each module's AC input be connected to a separate AC supply circuit. Any module(s) for which a separate supply circuit is not available should be connected to a UPS.

All power connections are located at the rear of the power supply frame (Figure 46). A master switch on the Control Processor Board in the Video Processor Frame controls power to the entire Video Processor Power Supply, as well as the fan itself. An included one meter (3.28 ft) interconnecting DC power cable allows the Video Processor Power Supply frame to be installed either above or below the Video Processor frame.

Figure 46. Video Processor Power Supply Rear View



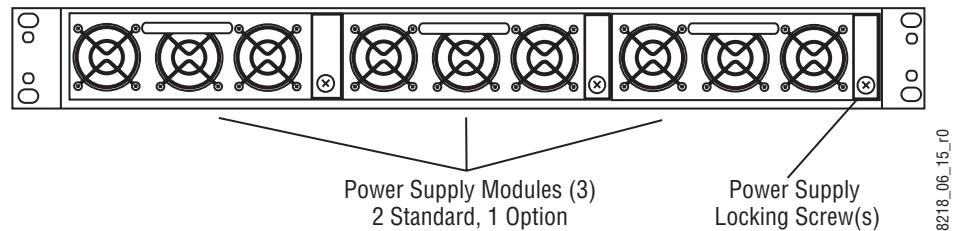
## Video Processor Redundant Power Supply Installation

Two power supply modules are required, a third optional power supply can be added for redundancy. The master power switch for the power supply frame is on the Control Processor Board in the Video Processor Frame.

### To Install a Redundant Power Supply:

1. Ensure that the master power switch on the Control Processor Board is in the “Off” position.
2. Insert the redundant Power Supply module and tighten the Power Supply Locking Screw, as shown in Figure 47.
3. Connect the AC line cord.
4. Toggle the power switch on the Control Processor Board back to the “On” position.

Figure 47. Video Processor Power Supply Front View



## Video Processor Power Supply Pinouts

Table 4. DC Power Output Connector

DC Output - J10		Pin	Function
		A1	48+ Volts Main
		A2	48- Volts Main
		A3	Chassis Ground
		1	Power Module #1 not present if open. Connect to pin 10 if installed.
		2	Power Module #2 not present if open. See pin 1.
		3	Power Module #3 not present if open. See pin 1.
		4	Power Module #1 DC fail output. Low if DC OK. High or open if DC failed, front panel switch off, or module absent.
		5	Power Module #2 DC fail output. See pin 4.
		6	Power Module #3 DC fail output. See pin 4.
		7	DC Disable Input. Open circuit disables all power modules. Connected to thermostat that opens at high temperature. DC power enabled when connected to pin 10.
8	Unassigned		
9	Unassigned		
10	Common. Return path for control signals. Connected to chassis via load wiring		

## Main Panel Installation

4-M/E and 2-M/E Main panel installation requires careful attention to the console support structure and the console cutout dimensions necessary to accommodate the mounting flanges located on the front and sides of the tub (Figure 48).

**CAUTION** The 4-M/E Main panel weighs approximately 86 kg (189 lb) and the 2-M/E Main panel weighs approximately 63 kg (138 lb). Prior to installation, ensure that your console is structurally capable of supporting the Main panel.

The Main panel was designed to be flush mounted in a console, but it may also be surface mounted. Figure 49 provides installation details for 4-M/E and 2-M/E Main panel flush mount and surface mount installations. Refer to 4-M/E Main Panel on page 79, 2-M/E Main Panel on page 81, and 1-M/E Main Panel on page 82 for information specific to each Main panel type.

Figure 48. Mounting Flanges

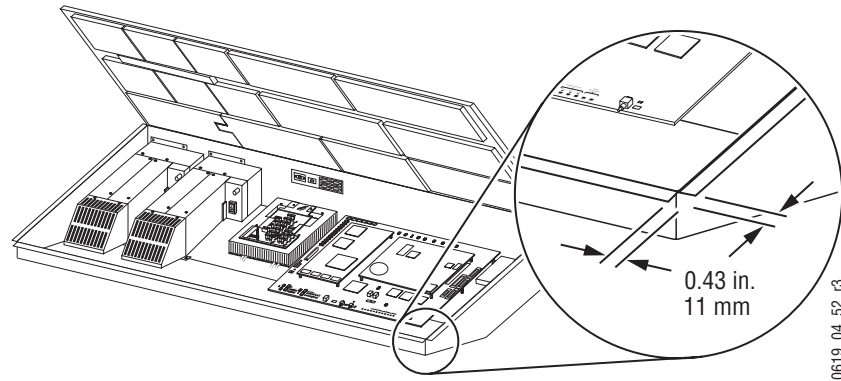
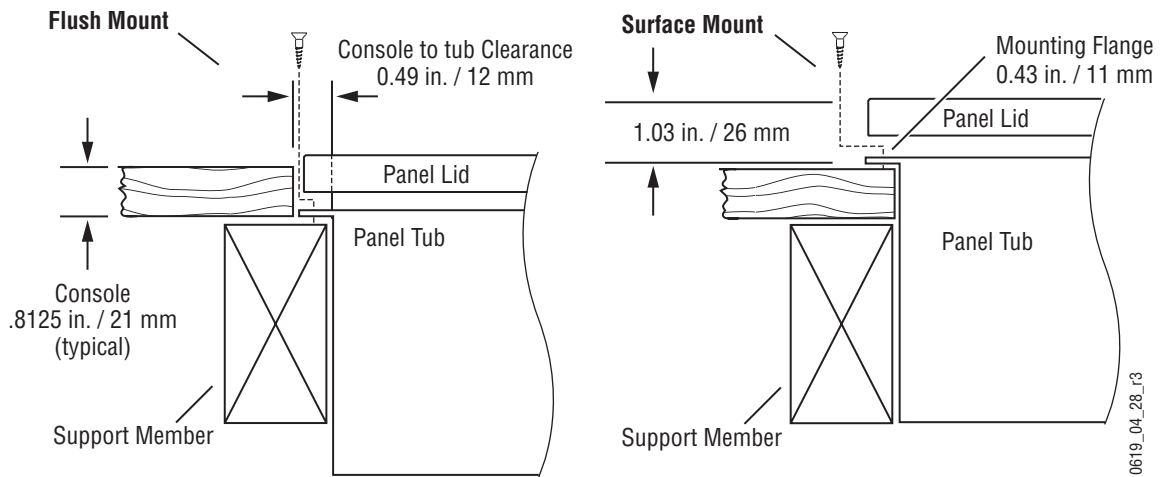


Figure 49. Main Panel Mounting Options (Front Left View)



Mounting Option	Cutout Dimensions						
	A <sup>a</sup>		B <sup>1</sup>		C <sup>b</sup>		
	2-M/E	4-M/E	2-M/E	4-M/E	2-M/E	4-M/E	
Flush Mount <sup>c</sup>	20.09 in. (510 mm)	25.06 in. (637 mm)	49.51 in. (1258 mm)	55.63 in. (1413 mm)	48.66 in. (1236 mm)	54.78 in. (1391 mm)	
Surface Mount <sup>3</sup>	18.70 in. (475 mm)	23.81 in. (605 mm)	48.66 in. (1236 mm)	54.78 in. (1391 mm)	n/a	n/a	

<sup>a</sup> Console surface cutout.

<sup>b</sup> Distance between flush mount support members.

<sup>c</sup> Recommended tilt of 5°; maximum tilt of 15°. The recommended five degree tilt may be obtained by elevating the rear of the panel approximately two inches relative to the front of the panel.

**WARNING** The Main panel lid is held in the open position by two gas spring assemblies. The ability of these devices to support the lid is compromised if the installed panel tilts toward the user at an angle greater than 15 degrees.

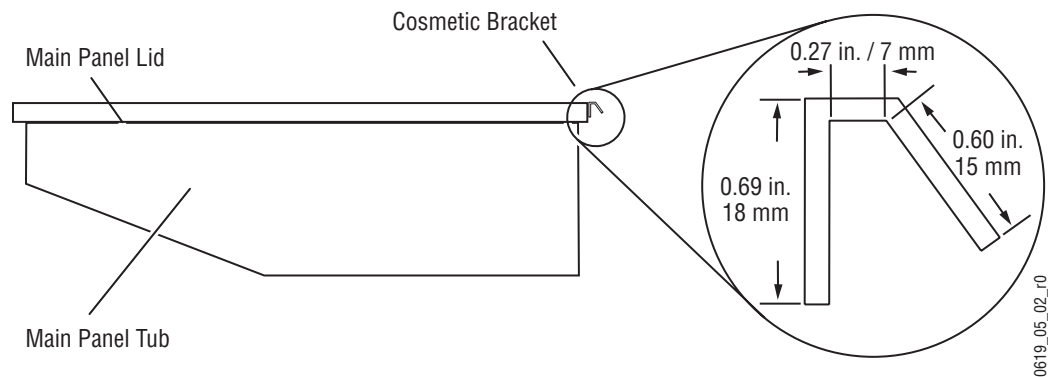
Panel ventilation is accomplished by two fans which draw air through slots around buttons and source ID displays and expel it at the rear of the panel.

**CAUTION** Regardless of mounting method or cutout dimensions, ensure that there is at least 152 mm (6 in.) of clear space at the rear of the Main panel below the mounting surface for proper cable clearance and air flow. Allow an extra 203 mm (8 in.) to 254 mm (10 in.) of mounting surface behind the Main panel for peripheral components (e.g., Local Aux panel).

## Cosmetic Bracket

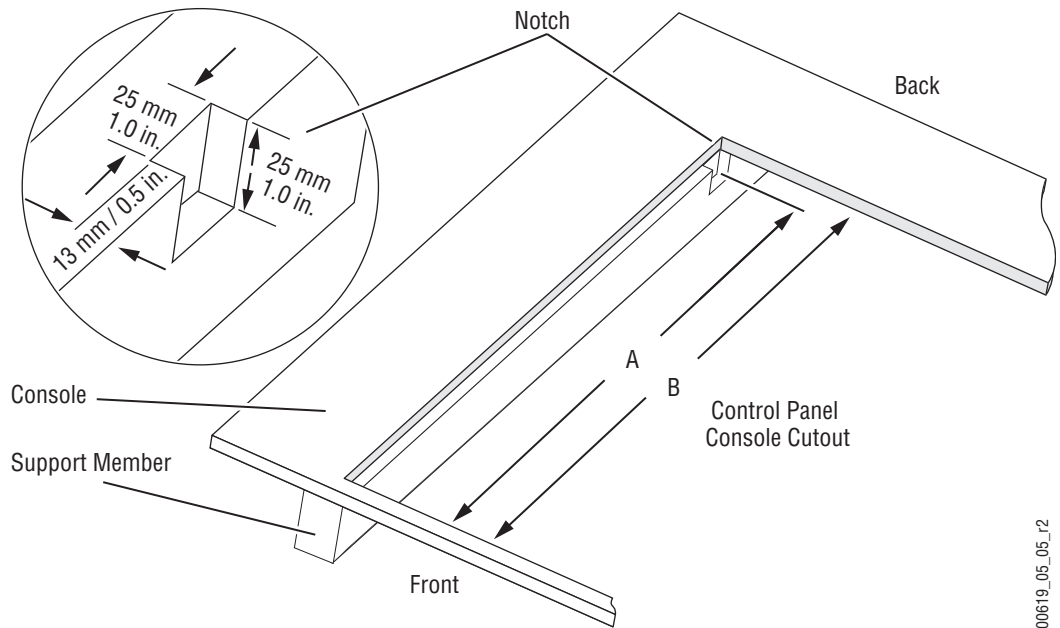
4-M/E and 2-M/E systems manufactured since March 2001 are shipped with a cosmetic bracket attached to the rear of the Main panel lid (Figure 50). The purpose of the cosmetic bracket is to cover a visible gap between the rear of the panel and the mounting surface when the panel is flush mounted. If the panel is to be surface mounted, the bracket must be removed before installation (5 screws hold the bracket in place).

Figure 50. Main Panel with Attached Cosmetic Bracket, Side View



If you choose to use the cosmetic bracket and your Main panel installation has a console support structure similar to that shown in Figure 51, it will be necessary to cut notches in the support members at the left and right rear corners of the console cutout (see the notch dimensions in Figure 51). This enables the Main panel lid to clear the support structure upon opening.

Figure 51. Support Member Notch Dimensions



00619\_05\_05\_r2

Mounting Option	Dimensions			
	A		B <sup>a</sup>	
	2-M/E	4-M/E	2-M/E	4-M/E
Flush Mount	19.09 in. (485 mm)	24.06 in. (611 mm)	20.09 in. (510 mm)	25.06 in. (637 mm)

<sup>a</sup> Console cutout dimension.

## 4-M/E Main Panel

The Main panel provides the operator with real-time control of the system. 4-M/E Main panel options include a redundant power supply and Source ID displays for M/E 1, 2, and 3. (Source ID displays are standard on PGM PST and on the Local Aux panel.) Refer to the following figures for panel dimensions.

Figure 52. 4-M/E Main Panel Dimensions

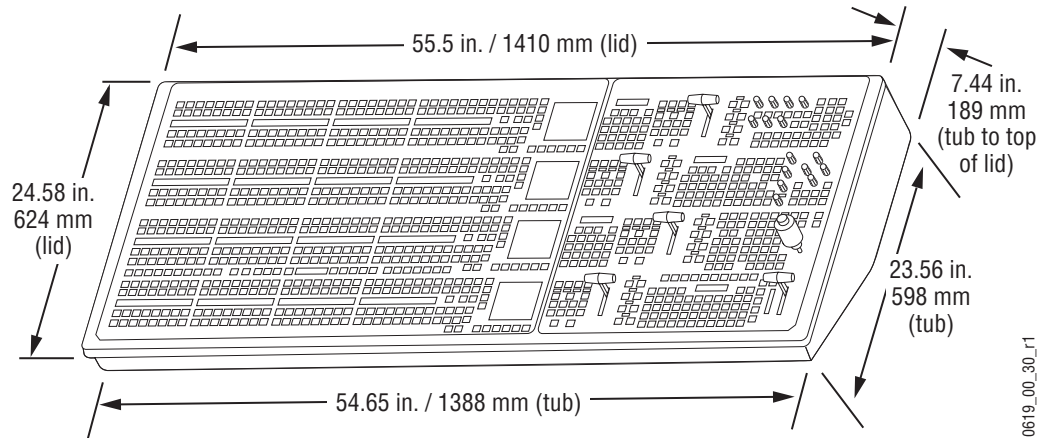


Figure 53. 4-M/E Rear Main Panel Dimensions

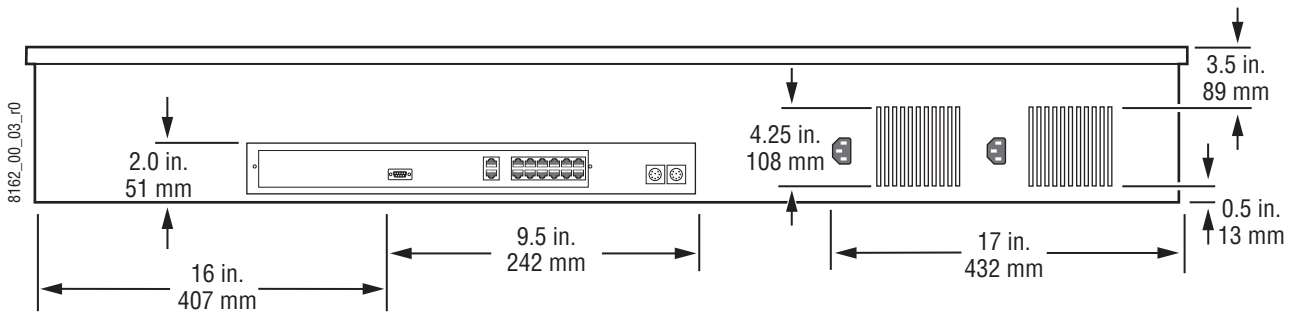


Figure 54. 4-M/E Main Panel Dimensions, Side View

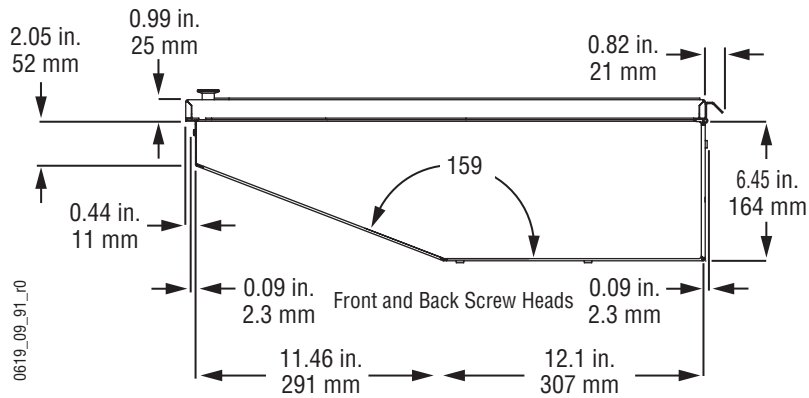


Figure 4 on page 29 identifies the rear panel connectors.

Figure 93 on page 114 illustrates the cabling between the Main panel and other system components.



## 2-M/E Main Panel

Source ID displays are standard on the 2-M/E Main panel, M/E 1, PGM PST row and on the Local Aux subpanel. A redundant power supply is optional. Refer to [Figure 55](#) and [Figure 56](#) for panel dimensions. Additional connectors for the integrated Local Aux subpanel are located on the rear of the panel.

Figure 55. 2-M/E Main Panel Dimensions

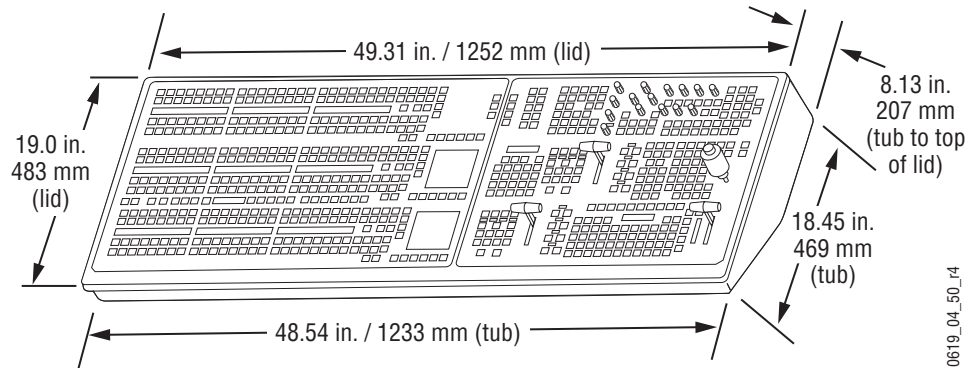


Figure 56. 2-M/E Rear Panel Dimensions

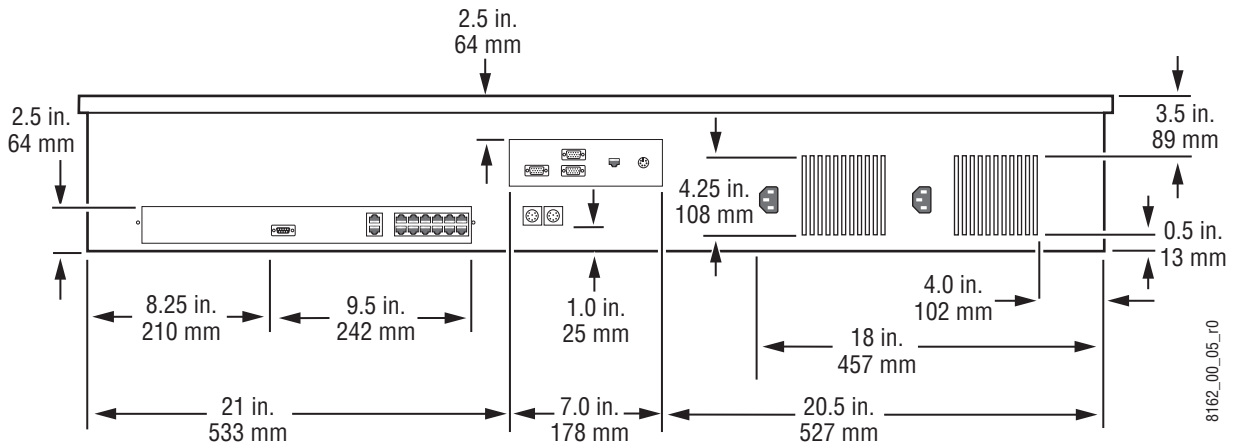


Figure 57. 2-M/E Main Panel Dimensions, Side View

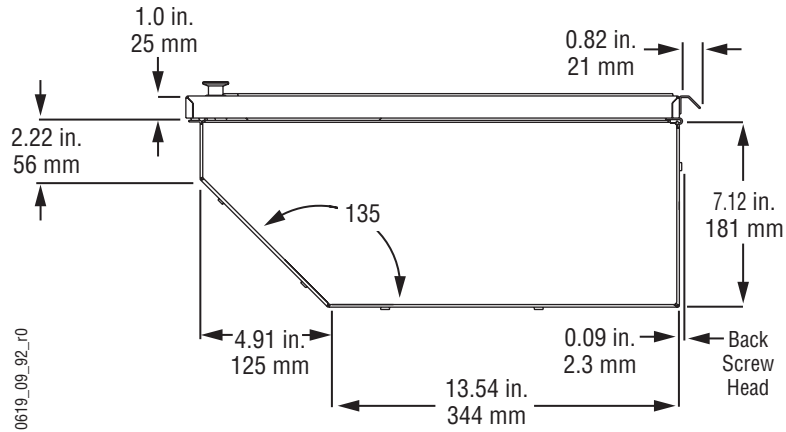


Figure 12 on page 35 identifies the rear panel connectors.

Figure 103 on page 126 illustrates the cabling between the Main panel and other system components.

Because a Local Aux subpanel is integrated into the 2-M/E Main panel, a separate Local Aux panel is not installed. The removable media drives and the Menu panel are installed the same as a 4-M/E Kalypso system.

## 1-M/E Main Panel

The 1-M/E Main panel is designed for either flush or surface console mounting, or it can be installed in a standard 19 inch rack. The panel is ven-

tilated with a fan that draws air through front vents and slots around the buttons and expels it out the recessed rear panel.

Figure 58. 1-M/E Main Panel Dimensions

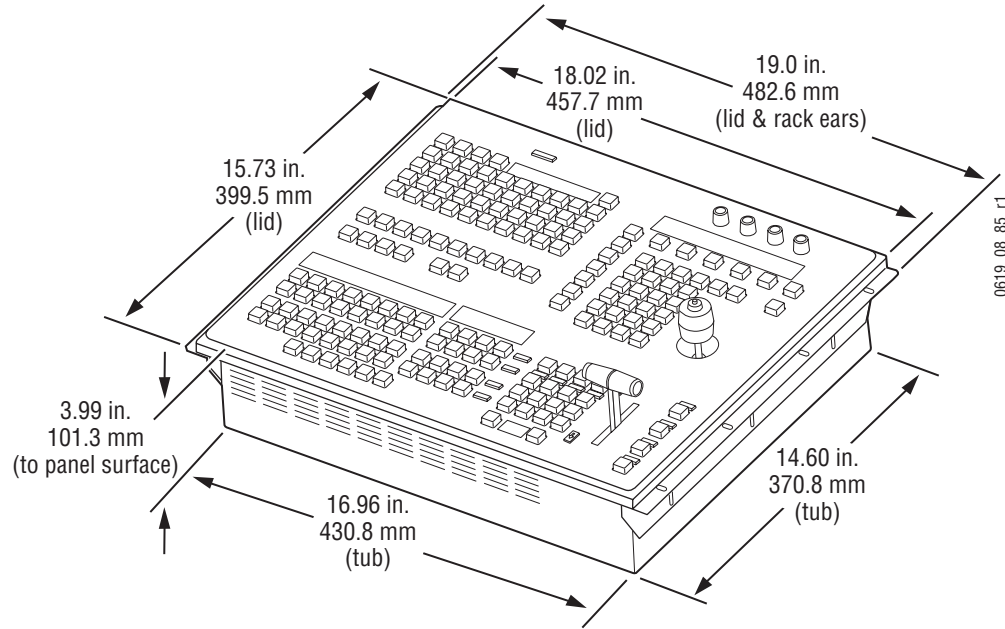
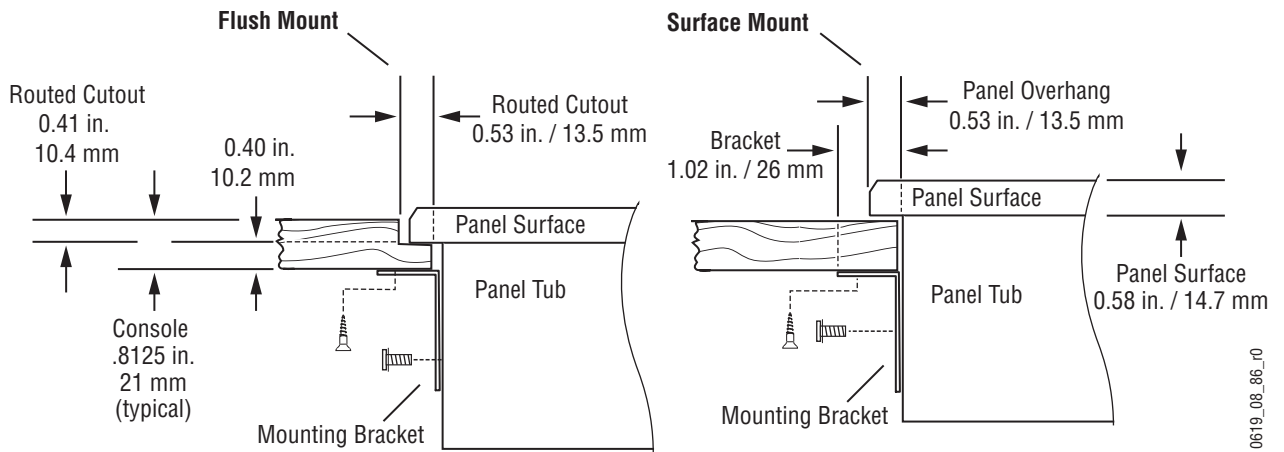


Figure 59. 1-M/E Panel Mounting Options, Front Left



Mounting Option		Console Cutout Dimensions	
		A	B
Flush Mount	Panel surface routed cutout	15.98 in. (406 mm)	18.27 in. (464 mm)
	Panel tub cutout	14.85 in. (377 mm)	17.21 in. (437 mm)
Surface Mount		14.85 in. (377 mm)	17.21 in. (437 mm)

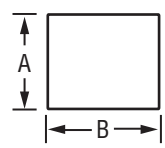


Figure 60. 1-M/E Rear Panel Dimensions

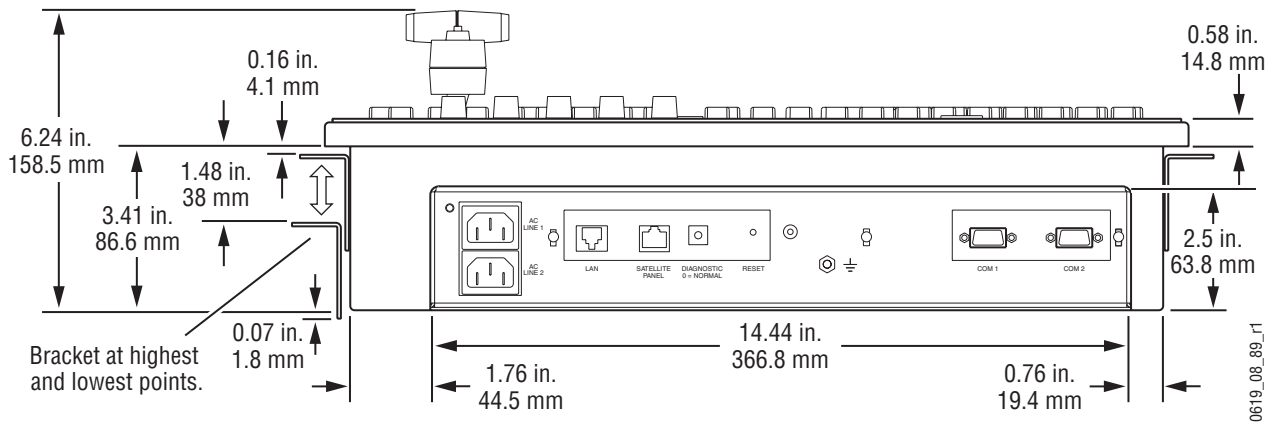
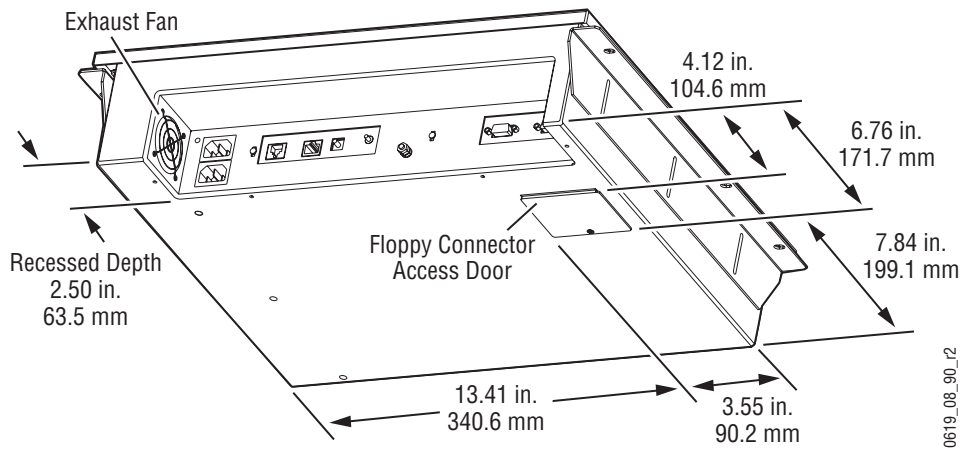


Figure 61. 1-M/E Rear Recess and Bottom Panel Dimensions



## 1-M/E Main Panel Cabling

### Power

The 1-M/E Main panel has redundant power supplies. Connect the two power cables to separate sources of power for added security. The panel does not have an on/off switch, and so initializes as soon as power is applied.

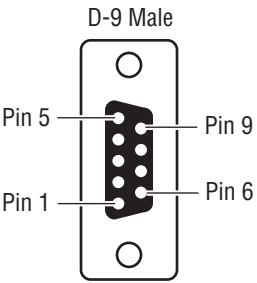
### Control

The 1-M/E Main panel Ethernet port connects to the Kalypso network switch in the Video Processor frame. Use a standard, straight-through Cat 5 or better cable.

**CAUTION** Be sure the IP addresses of the 1-M/E panel do not conflict with your existing Kalypso system network addresses before you connect the panel to the network and power up the unit.

## Main Panel Pinouts

Main panel Panel Diagnostic serial port are shown below.

Serial Port	Pin	Panel Diagnostics
	1	DSD
	2	RXD
	3	TXD
	4	DTR
	5	Chassis Ground
	6	DSR
	7	RTS
	8	CTS
	9	Reserved

## Main Panel Options

Options currently available for the Main panel include Source Name Displays for M/E 1, 2, and 3, a redundant power supply, and Remote Aux panels.

### Source Name Display Installation

The standard 4-M/E Main panel has a Source Name Display assembly for the PGM PST row of crosspoint buttons. An optional kit may be purchased which adds Source Name Displays to M/E 1, M/E 2, and M/E 3. This option may be factory installed for new orders, or customer installed as an add-on anytime after system purchase.

#### Preparation

Verify that the option installation kit includes:

- Twelve (12) Source Name Display segments,
- Three (3) ribbon cables with 10-pin headers, and
- Eighteen Torx-head screws.

Have the following tools available for the installation procedure:

- Number 10 and Number 15 Torx screwdrivers, and
- A 3/16 inch nut driver.

## Installation

One Source Name Display assembly mounts to the component side of each Crosspoint board. There are four Crosspoint boards per M/E row. The following procedure describes the installation for one M/E; the installation is the same for each M/E. Complete one M/E installation before beginning the next.

**CAUTION** Do not drop any loose hardware into the panel tub or panel circuitry during the install process.

**CAUTION** Use care when lining up connector pins prior to mating them to avoid breaking pins or damaging circuitry when power is applied.

1. Open the Main panel. Turn off the Main panel AC power.
2. Disconnect and remove the single 10-pin header ribbon cable that connects to each Crosspoint board and the Transition board (total of five connections). Retain the cable.
3. Disconnect and remove the short, 40-pin interconnecting ribbon cables that connect the Crosspoint boards to each other. These cables are located at the right edge of each board. Retain these cables.
4. Remove the six Torx head screws from each Crosspoint board, and place each board on a static free work surface as it is removed.
5. Remove the blank cover from the Source Name Display area on each Crosspoint board. Use the nut driver to remove four nuts with washers. Discard the blank covers.
6. Mate the J1 connector on the Source Name Display board to the J5 connector on the component side of the Crosspoint board. Use the standoff mounting holes in the Crosspoint board as a visual reference while mating the connectors.
7. Use the #10 Torx screwdriver to attach the Source Name Display board to the Crosspoint board with the six supplied screws.
8. Remove the protective film overlay from each of the Source Name Display segments.
9. Re-install each of the Crosspoint boards in the Main panel with the same screws that were used to remove them.
10. Re-install the 40-pin interconnecting ribbon cables.
11. Re-install the single, 10-pin ribbon cable to each Crosspoint board and to the Transition board.
12. Turn on the Main panel power and close the panel.

## Main Panel Redundant Power Supply

The standard power supply configuration for the Main panel includes both +5 V and +12 V supplies. Main panel power supplies are located in the panel tub enclosure. A second power supply assembly, identical to the primary, may be purchased as an option to provide load sharing power supply redundancy. This option may be factory installed for new orders, or customer installed as an add-on anytime after system purchase.

## Remote Aux Panel Types

Remote Aux panels control Kalypso aux buses from remote locations. Two 32-Crosspoint and three 24-Crosspoint Remote Aux panel models can be used with Kalypso systems. Refer to [Table 5](#) and the following sections for panel-specific information.

Table 5. Remote Aux Panel Summary

	32-Crosspoint Aux Panel	24-Crosspoint Aux Panel
<b>Connection</b>	Ethernet	Serial Port Daisy Chain
<b>Maximum Panels<sup>a</sup></b>	40	32
<b>External Sources Controlled</b>	64 (32 unshifted, 32 shifted)	48 (24 unshifted, 24 shifted)
<b>Available Configurations</b>	KAL-32AUX1 (single bus)	KAL-24AUX1 (1 RU, single bus)
	KAL-32AUX2 (16 bus delegate buttons)	KAL-24AUX2 (2 RU, single bus)
	--	KAL-24AUX3 (3 RU, 18 bus delegate buttons)

<sup>a</sup> A maximum of 40 Remote Aux panels, in any combination, can be connected to a 4-M/E or 2-M/E Kalypso system.

Remote aux panels may be purchased with the Kalypso system or added at a later time.

**Note** Remote Aux panels used with Model 2200, 3000, and 4000 systems can be upgraded to 24-Crosspoint functionality for use in a Kalypso environment. See the *Kalypso Model 4000 Remote Aux Panel Upgrade Instruction Manual* for details.

## 32-Crosspoint Remote Aux Panels

These panels are designed to select 64 external sources (32 unshifted and 32 shifted). The number of 32-Crosspoint Remote Aux panels that can be network connected to either the 4-M/E or 2-M/E Video Processor frame is 40. Two panel configurations are available, identified by the number of rack units (RUs) each occupies in the standard 19 in. (483 mm) equipment rack (see [Figure 62](#) and [Figure 63](#)). Both panels have the same connector layout as that depicted for the KAL-32AUX1 in [Figure 64](#).

The 1 RU panel (KAL-32AUX1) is dedicated to a single bus. The 2 RU panel (KAL-32AUX2) panel has 16 bus delegate buttons.

Figure 62. KAL-32AUX1 (1 RU)

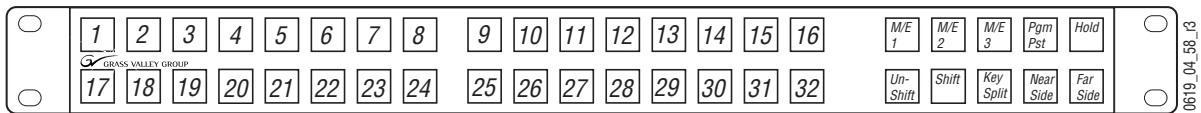
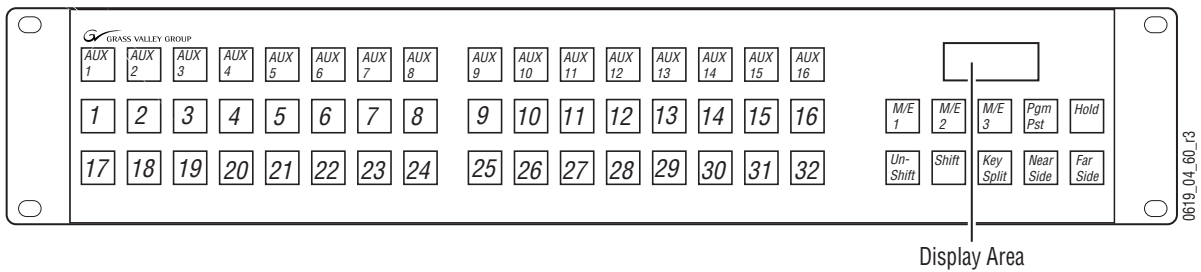


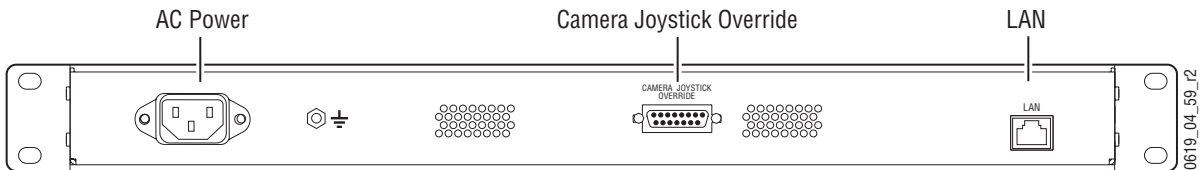
Figure 63. KAL-32AUX2 (2 RU)



## 32-Crosspoint Remote Aux Panel Connections

The 32-Crosspoint Remote Aux rear panels have connectors for AC power, camera joystick override, and LAN ([Figure 64](#)). The rear panel layout is the same for both KAL-32AUX panels.

Figure 64. KAL-32AUX1 (1 RU), Rear View



## LAN

The 32-Crosspoint Remote Aux panels employ Ethernet. Refer to [LAN Requirements on page 116](#) for information on system topography.

**Note** Each 32-Crosspoint Remote Aux panel must have a unique IP Address before it is connected to the network.

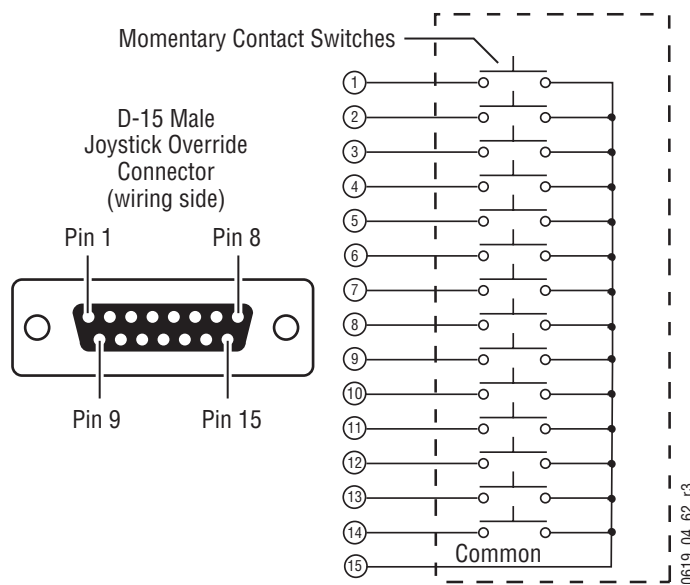


It is convenient to configure the IP addresses of all your Remote Aux panels on a bench before installing them in their final rack locations. See *Setting 32-Crosspoint Remote Aux Panel IP Address* on page 145 for specific instructions.

## Joystick Override Connector

Camera joystick override allows the Aux bus to be momentarily switched to a camera for shading, then switched back to what ever source was previously selected, typically Program. The Remote Aux panel joystick override inputs are connected to camera shading panels which have a contact closure usually located on the shading iris/black level joystick. Individual shading control switches are located in separate shading panels. Each shading panel is connected to a different “JSO” input with all commons tied together. A user fabricated cable, external switch, and a 15-pin D connector are required to implement camera joystick override. Use shielded cable and connect the shield to the metal connector shell when fabricating the override cable. Refer to Figure 65 for connector wiring.

Figure 65. KAL-32AUX Joystick Override Connector Cable Wiring



Once installed, the joystick override inputs can be mapped to specific Remote Aux panel buttons. See *Joystick Override* on page 169 for more information.

## AC Power

The 32-Crosspoint Remote Aux panels have internal power supplies which connect directly to facility AC power by supplied line cords.

## 24-Crosspoint Remote Aux Panels

These panels are designed to select 48 external sources (24 unshifted and 24 shifted). Thirty-two Remote Aux panels can be daisy-chained on a single serial control port on either the 4-M/E or 2-M/E electronics frame. Three 24-Crosspoint Remote Aux panel configurations are available, identified by the number of rack units (RUs) each occupies in an equipment rack (see [Figure 66](#) through [Figure 69](#)). The 1 and 2 RU panels (KAL-24AUX1 and KAL-24AUX2) are dedicated to a single bus. The 3 RU panel (KAL-24AUX3) panel has 18 bus delegate buttons. All three panels have the same connector and DIP switch layout as that depicted for the KAL-24AUX1 in [Figure 69](#) on page 91.

Figure 66. KAL-24AUX1 (1 RU)

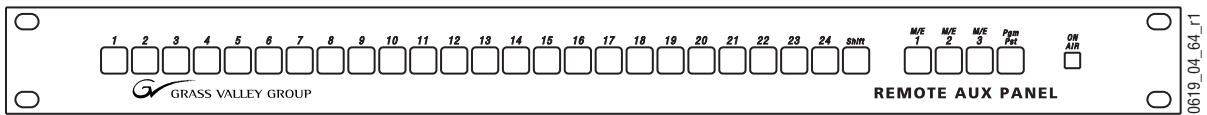


Figure 67. KAL-24AUX2 (2 RU)

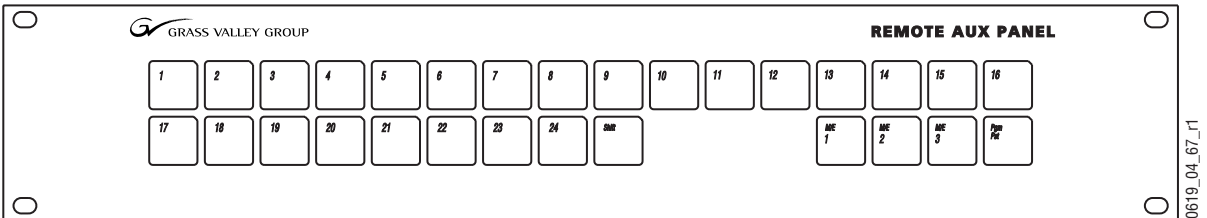
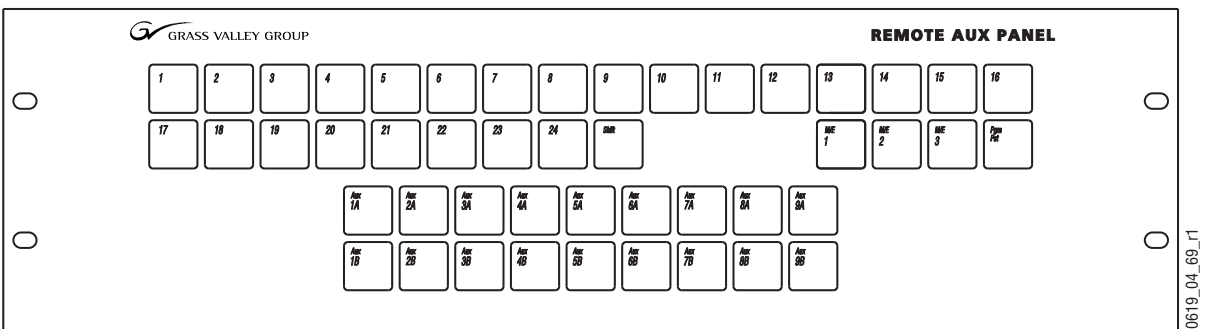


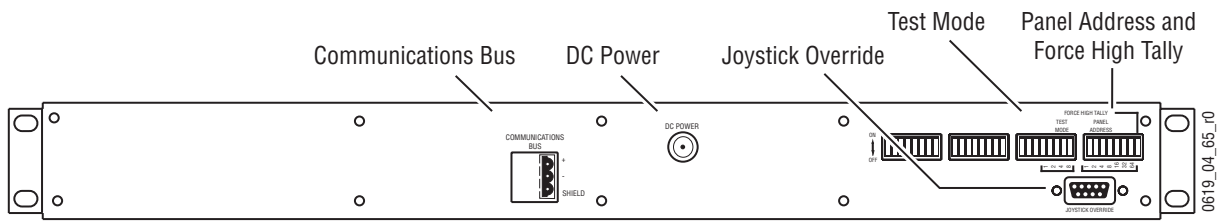
Figure 68. KAL-24AUX3 (3 RU)



### Remote Aux Connections

The 24-Crosspoint Remote Aux rear panels have connectors for Communications Bus, DC power, and Joystick Override ([Figure 69](#)).

Figure 69. KAL-24AUX1 (1 RU), Rear View

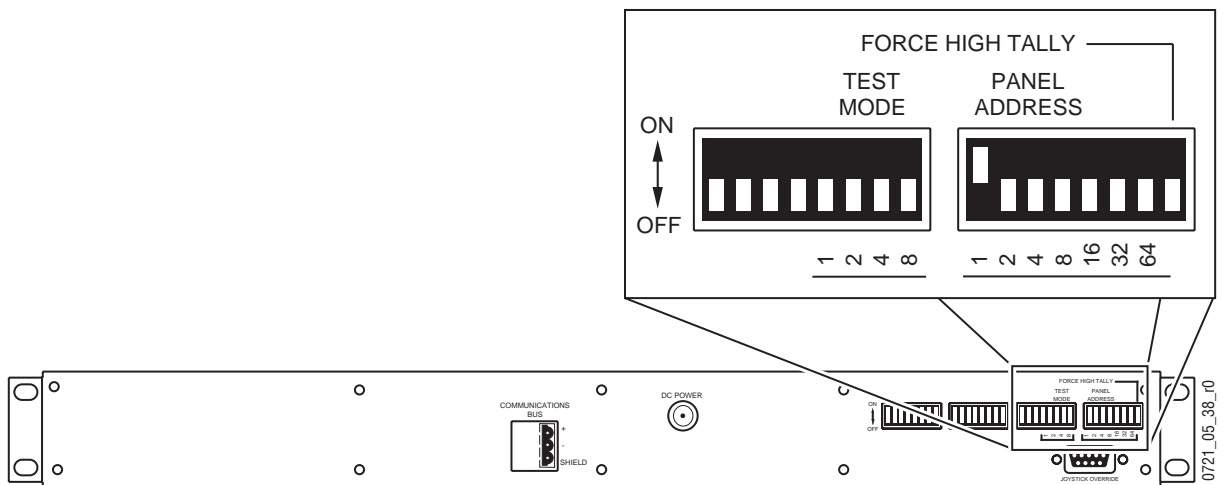


**Note** The rear panel layout is the same for all KAL-24AUX panels.

## Rear Panel Switch Settings

The Remote Aux rear panel includes a number of switches. The two groups of switches on the right are used to control panel address, high tally, and some test modes (Figure 70). The two switch groups on the left are inactive. The panel address is set to one in the figure.

Figure 70. KAL-24AUX, Rear View



## Panel Address Switches

**CAUTION** Each Remote Aux panel must have a unique address. Setting the same address for two or more panels will cause the entire Remote Aux system to malfunction.

Set the address of the Remote Aux Panel (0 through 31) using the switches marked PANEL ADDRESS on the right rear of the panel. The seven switches have 32 possible combinations; however, only five of the switches may be used (1-16). Switches 32 and 64 must be in the off position. If there is more than one Remote Aux panel, maintain a record of each panel address.

### Force High Tally Switch

When the Force High Tally switch is off (generally the normal condition) the Remote Aux panel tally follows the switcher on/off air status for that Aux bus. Use Force High Tally only if you want the Remote Aux panel buttons to always be on, such as for a bus which never goes on air (e.g., the video operator's monitor selector).

On the 1-RU panel, the Force High Tally switch forces the ON AIR lamp on at all times.

On the 2-RU and 3-RU panels, the Force High Tally switch disables the low tally condition. The lamps will be on bright whether the bus is on air or not.

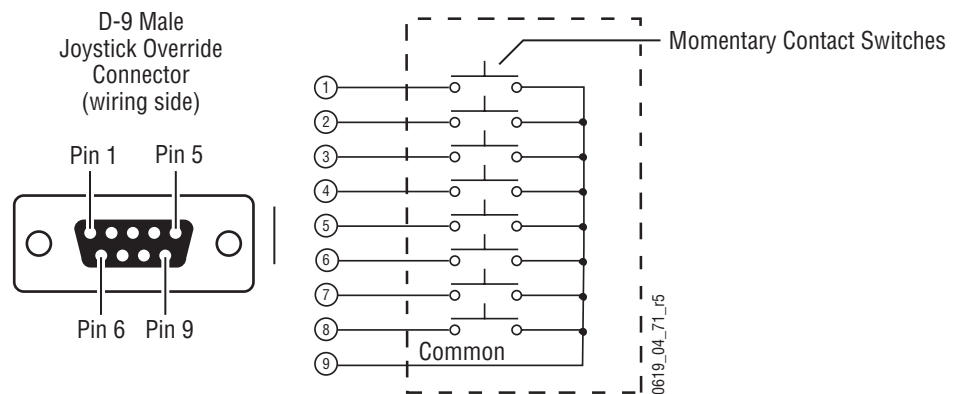
### Test Mode Switches

For normal operation set all four TEST MODE switches to OFF. See *Using the Test Mode Switches* on page 258 for more information about the test modes.

## Joystick Override Connector

Camera joystick override allows the Aux bus to be momentarily switched to a camera for shading, then switched back to what ever source was previously selected, typically Program. The Remote Aux panel joystick override inputs are connected to camera shading panels which have a contact closure usually located on the shading iris/black level joystick. Individual shading control switches are located in separate shading panels. Each shading panel is connected to a different "JSO" input with all commons tied together. A user fabricated cable, external switch, and a 9-pin D connector are required to implement camera joystick override. Use shielded cable and connect the shield to the metal connector shell when fabricating the override cable. Refer to [Figure 71](#) for connector wiring.

Figure 71. KAL-24AUX Joystick Override Connector Cable Wiring



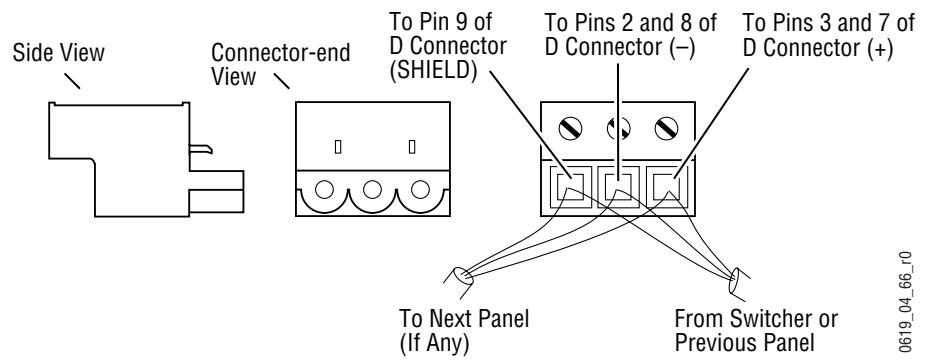
Once installed, the joystick override inputs can be mapped to specific Remote Aux panel buttons. See *Joystick Override* on page 169 for more information.

## Communications Bus

The communications bus cable connector shipped with each panel must be attached to the supplied cable or a user fabricated cable (refer to [Figure 72](#)). The supplied cable is 50 m (164 ft) long and has a pre-wired 9-pin D connector on one end. If fabricating a cable, use a shielded twisted pair cable such as Belden 8451 and refer to [Table 6](#) for wiring connections.

Thirty-two panels can be daisy-chained on a single serial control port on either the 4-M/E or 2-M/E electronics frame, but the total length of cable in the panel daisy-chain cannot exceed 320 m (1000 ft). Allow enough cable to reach each control panel connector, plus about 1 m (approximately 3 ft) extra.

Figure 72. KAL-24AUX Communications Bus Connector Cable Wiring



0619\_04\_66\_10

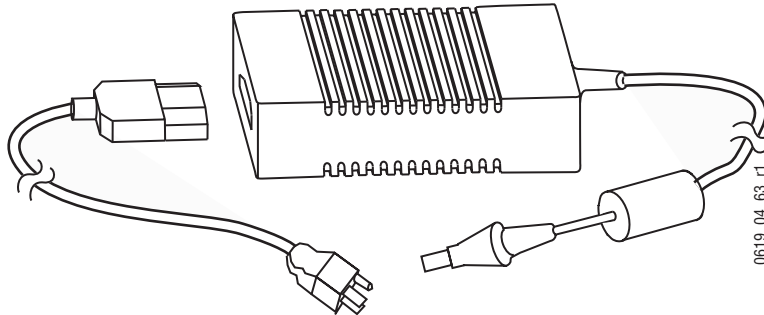
Table 6. Cable Polarity

Panel Connector	D-Connector Pins	Factory Supplied Cable
+ (Plus)	3 and 7	Red
- (Minus)	2 and 8	Black
Shield	9	Shield

## Power Supply

The 24-Crosspoint Remote Aux panel power supply (Figure 73) should be securely fastened to a horizontal surface or attached to a support inside the equipment rack. Verify that the power supply cord reaches the 24-Crosspoint Remote Aux Control panel and the AC source.

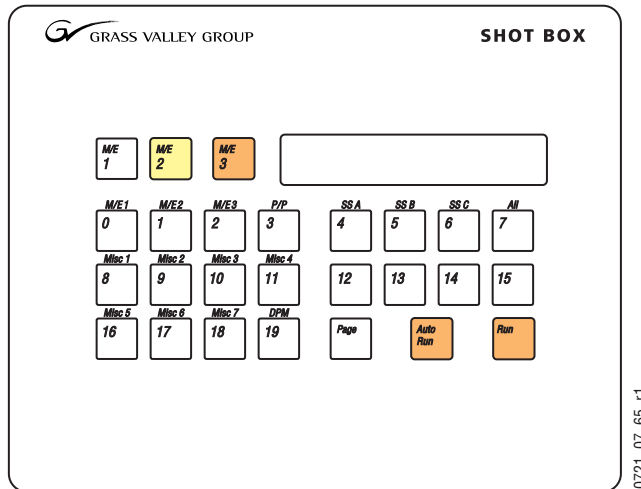
Figure 73. KAL-24AUX Power Supply



## Shot Box

The E-MEM Shot Box (Figure 74) is a separate panel that is designed for rapidly recalling previously built effects. Features include single button delegation for M/E 1, 2, 3, or Master E-MEM, five pages of 20 registers allowing access to all 100 registers, register and page readout display, and Pvw, Run and Auto Run controls.

Figure 74. Kalypso Shot Box



## Installation

The dimensions in Figure 75 allow clearance for sheet metal and fasteners, and provide top plate overlap of approximately 0.6 in. (15 mm) on all sides. If the mounting surface is 0.75 in (19 mm) or less in thickness, the mounting

nuts will not need to be countersunk (Figure 75). Refer to Figure 76 for exact screw placement and sheet metal dimensions.

Figure 75. Shot Box Cutout

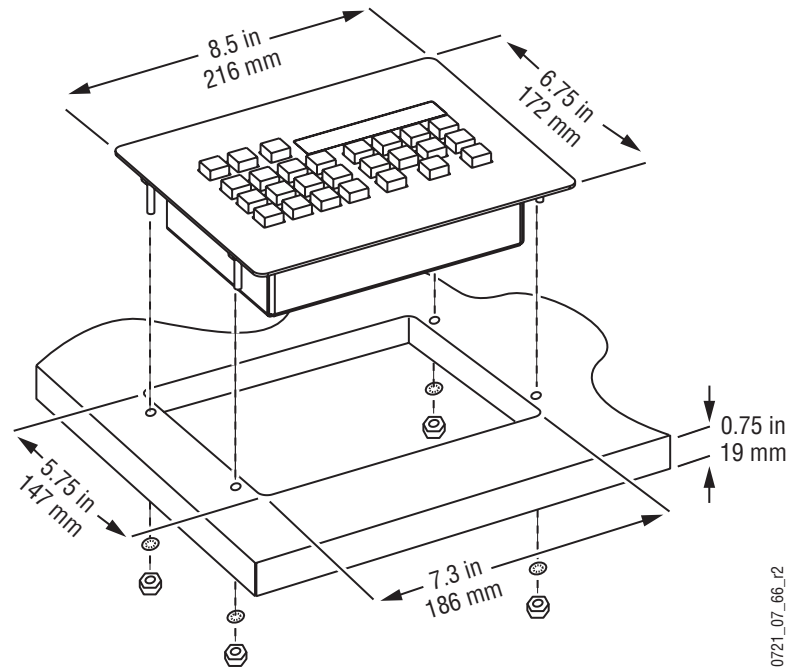
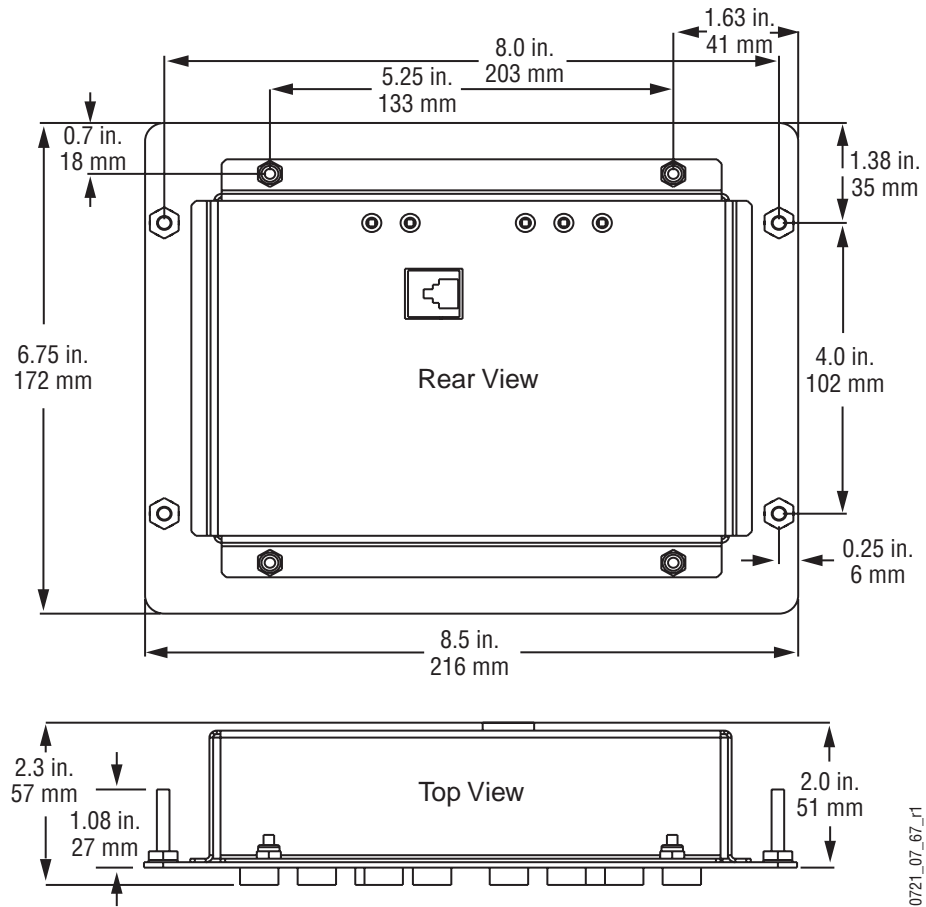


Figure 76. Shot Box Dimensions

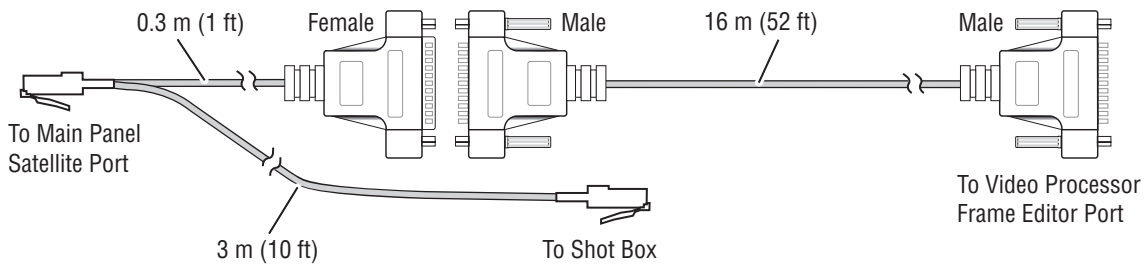


0721\_07\_67\_r1

### Standard Cabling

The provided cables connect the Main panel, Shot Box, and Video Processor frame as shown in Figure 77. Power passes from the Main panel to the Shot Box. To support power distribution, the short cable connects to the Main panel and the long cable connects to the Shot Box. If the Shot Box will be placed more than 3 m (10 ft) from the Main panel, an optional cable kit is available. Contact your local Thomson Grass Valley sales office for details.

Figure 77. Shot Box Cables and Connections



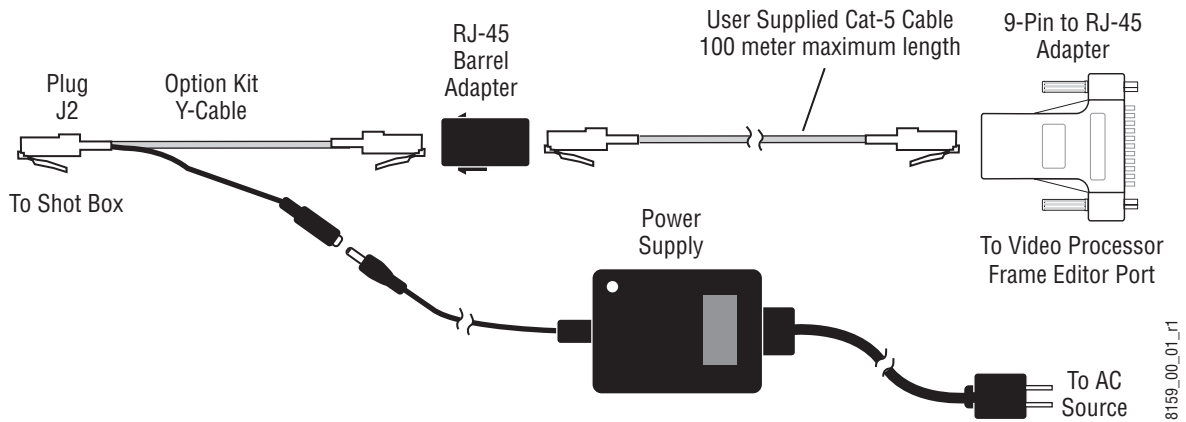
0619\_05\_07\_r2



## Satellite Panel Extension Kit

The Satellite Panel extension kit (and user supplied Cat-5 cable) replaces any existing Shot Box cabling. Power is supplied by the power supply, not the Main panel. The single-connector end of the Y-cable connects to the Shot Box, and the other RJ-45 cable end connects via adapters to the Video Processor Frame Editor port (Figure 78).

Figure 78. Shot Box Panel Extension Cabling, Editor Port Connection



The Video Processor frame editor port can be configured if desired using the Eng Setup Port & Device Definition menu.

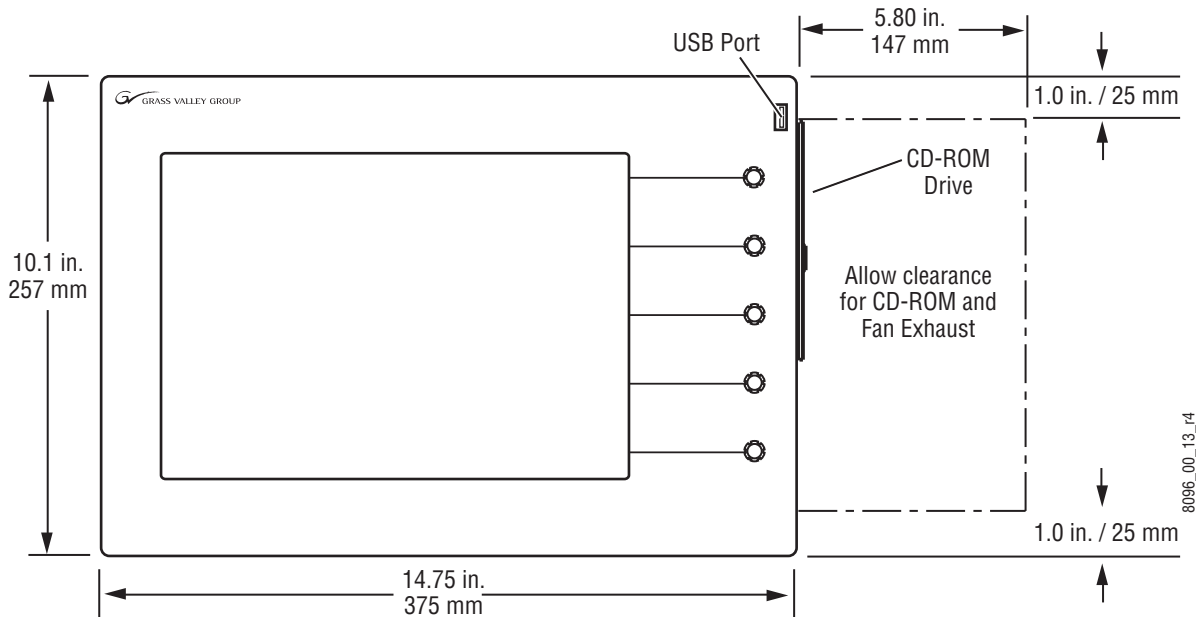
## Menu Panel Installation

The Enhanced Kalypso Menu panel can be installed in a variety of ways to meet individual preferences.

There are two versions of the Enhanced Menu panel, the newer version (as shown in Figure 79) has one of the USB ports on the front of the menu panel and Windows XP installed, and the older version which has both USB ports on the rear of the Menu panel and Windows 2000 installed.

**Note** The Original Kalypso Menu panel has different dimensions and installation requirements. See *Original Menu Panel Installation* on page 124 for more information.

Figure 79. Menu Panel Dimensions



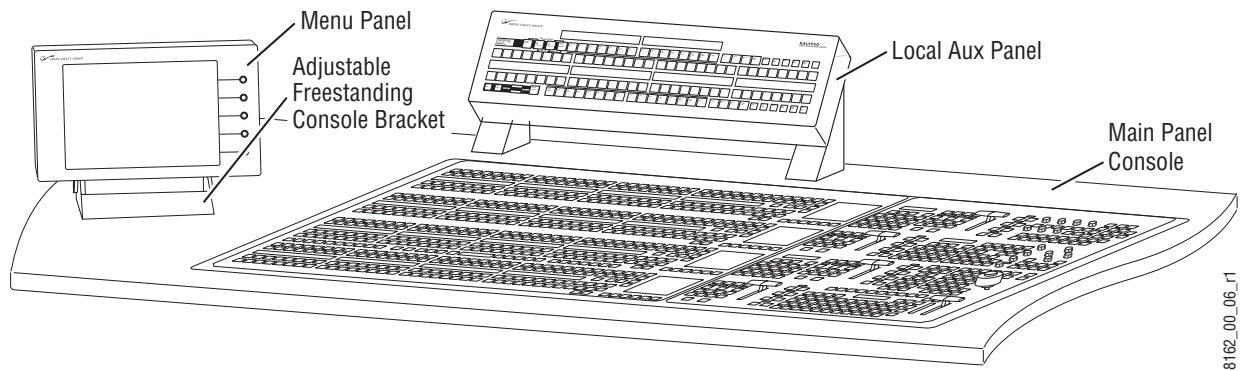
## Menu Panel Ventilation

Air is drawn into the Menu panel through slots along the top and left side of the panel. Air is expelled out of the Menu panel by a fan located on the right side of the panel (see [Figure 79](#)). When mounting the panel, be sure to leave either the top or left side slots unobstructed for proper air intake. The right side of the panel requires clearance for the fan exhaust.

## Recommended Mounting Location

The recommended mounting location for the Menu panel is to the left or right of the Main panel (see [Figure 80](#)). This provides the most comfortable reach to the touch screen, soft knobs, and internal CD-ROM and also clears the area for better viewing of monitors beyond the Main panel. When considering mounting options, remember that the optimum Menu panel viewing angle is 90 degrees in both the horizontal and vertical planes.

Figure 80. Recommended Menu Panel Mounting Location



**CAUTION** When finalizing the location of the Menu panel, be sure to open the Main panel lid and check for sufficient clearance between the Menu panel and the Main panel components. Without sufficient clearance, the lever arm or joystick could damage the Touch Screen when the Main panel is opened.

## Available Mounting Brackets

When ordering your system, you will specify the type of Menu panel mounting bracket. Three different mounting brackets are available to provide a wide variety of installation options. One bracket type is included with each system, and one additional bracket of your choice is also included.

- Adaptable Mounting bracket (always included), and choose either
- Adjustable Freestanding Console bracket,
- or -
- Flush Mount kit.

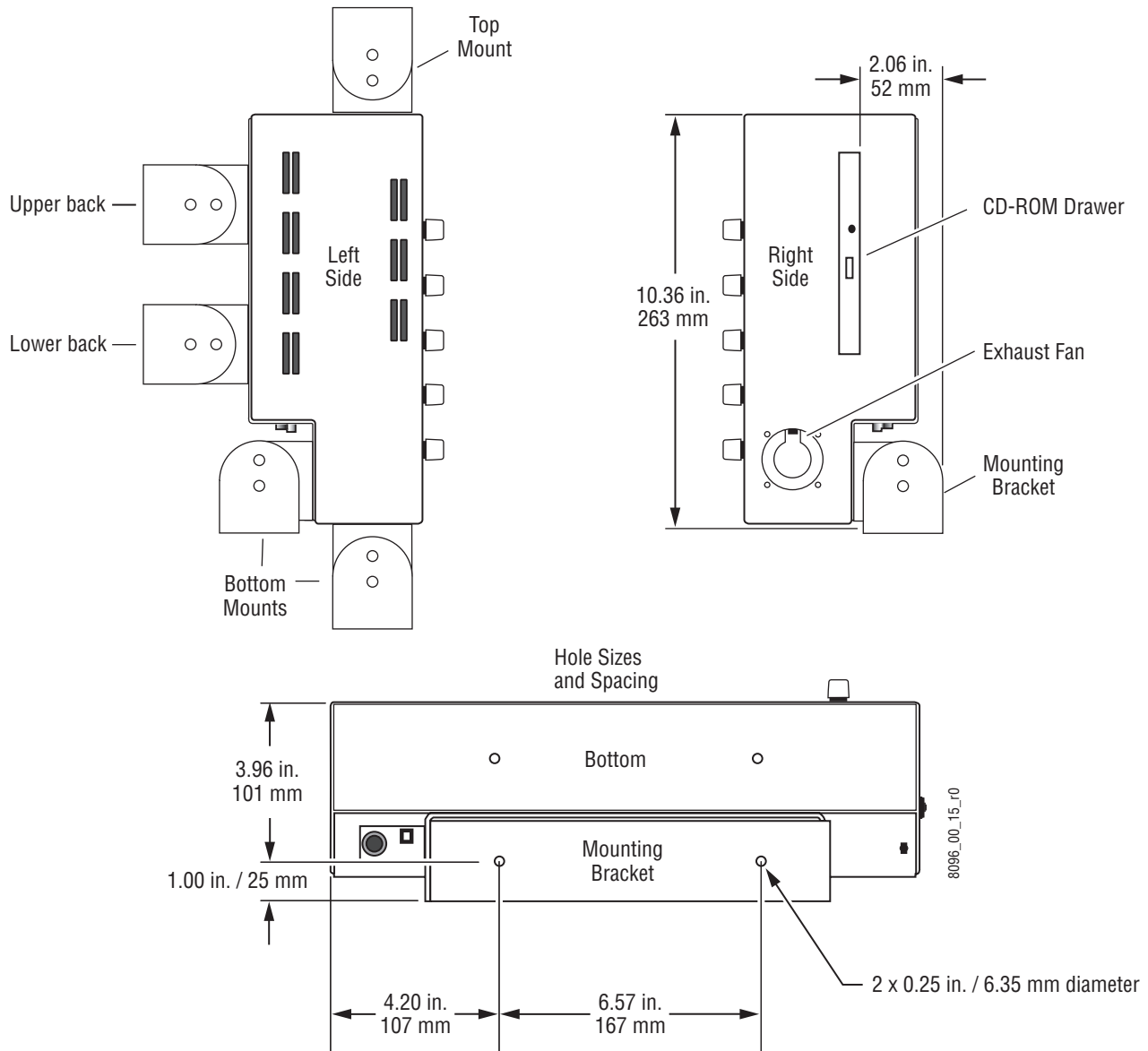
If a preference is not given, the Flush Mount kit will be shipped.

**CAUTION** All Menu panel mounting holes are tapped 10-32. Do not penetrate the case more than 0.24 in. / 6.10 mm.

## Adaptable Mounting Bracket

The Adaptable Mounting bracket allows the Menu panel to be mounted from above, from below, or from the back, using pairs of screw holes as shown in [Figure 81](#).

Figure 81. Optional Placement of Adaptable Mounting Bracket



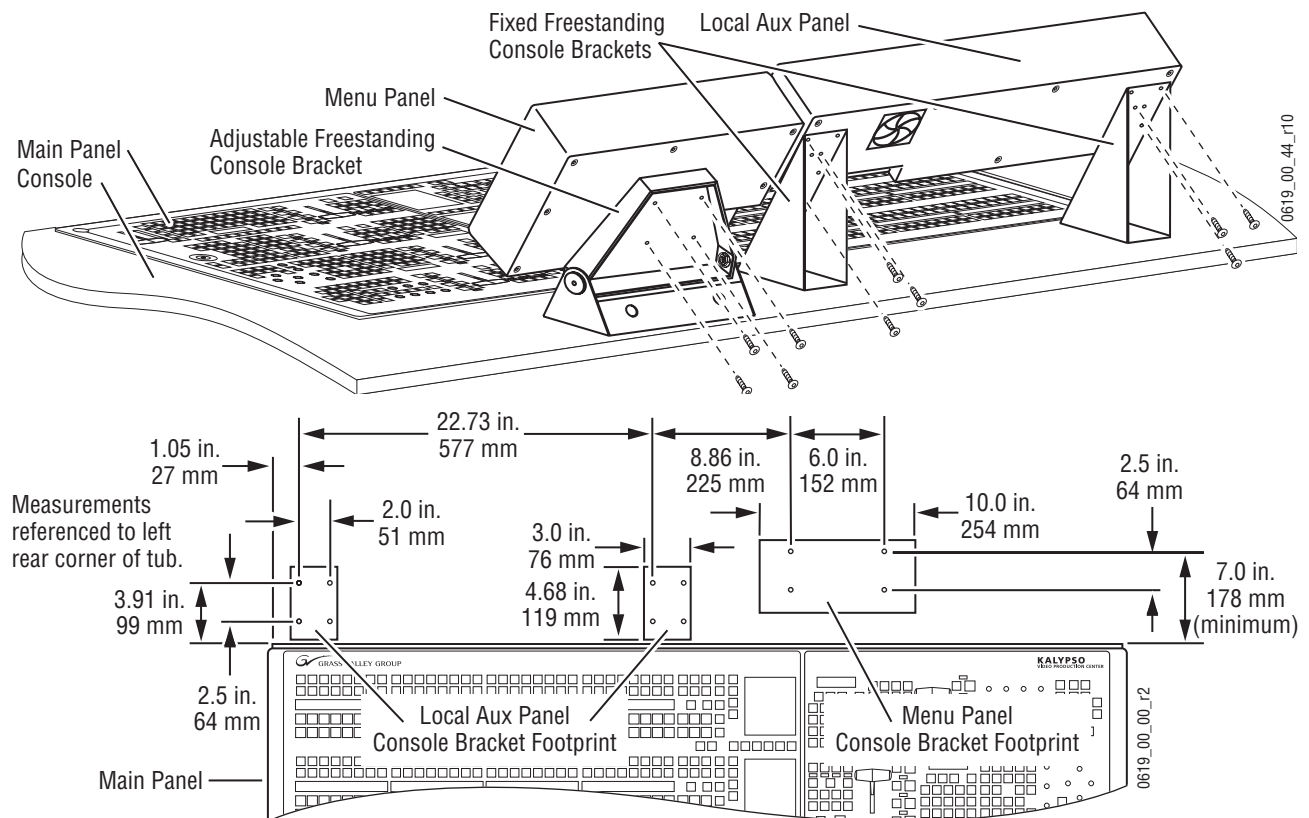
This Adaptable Mounting bracket allows the Menu panel to be tilted on a horizontal axis for optimum viewing. After the final location and angle of the Menu panel has been established, tighten the clamping pivot screws. This bracket is not intended to be friction-lock adjustable.

## Adjustable Freestanding Console Bracket

A single four-hole pattern on the back of the Menu panel ([Figure 7 on page 31](#)) connects to the Adjustable Freestanding Console bracket. This bracket's friction-lock can be set during installation to allow the user to tilt the Menu panel on a horizontal axis during use for optimum viewing.

The Adjustable Freestanding Console bracket can be used to mount the Menu panel to the console in the recommended position ([Figure 80 on page 99](#)). The Menu panel can also be mounted above the Main panel with this bracket, as shown in [Figure 82](#). If installed in this orientation, follow the recommended mounting dimensions to ensure adequate clearance when the Main panel lid is opened.

Figure 82. Optional Placement of Menu Panel



If an overhang or wall exists by the Main panel, this bracket can be rotated to allow mounting the Menu panel to that surface (like the Adaptable Mounting bracket).

The four hole pattern in the Menu panel are also designed to work with a user-supplied articulated arm, for even more flexibility.

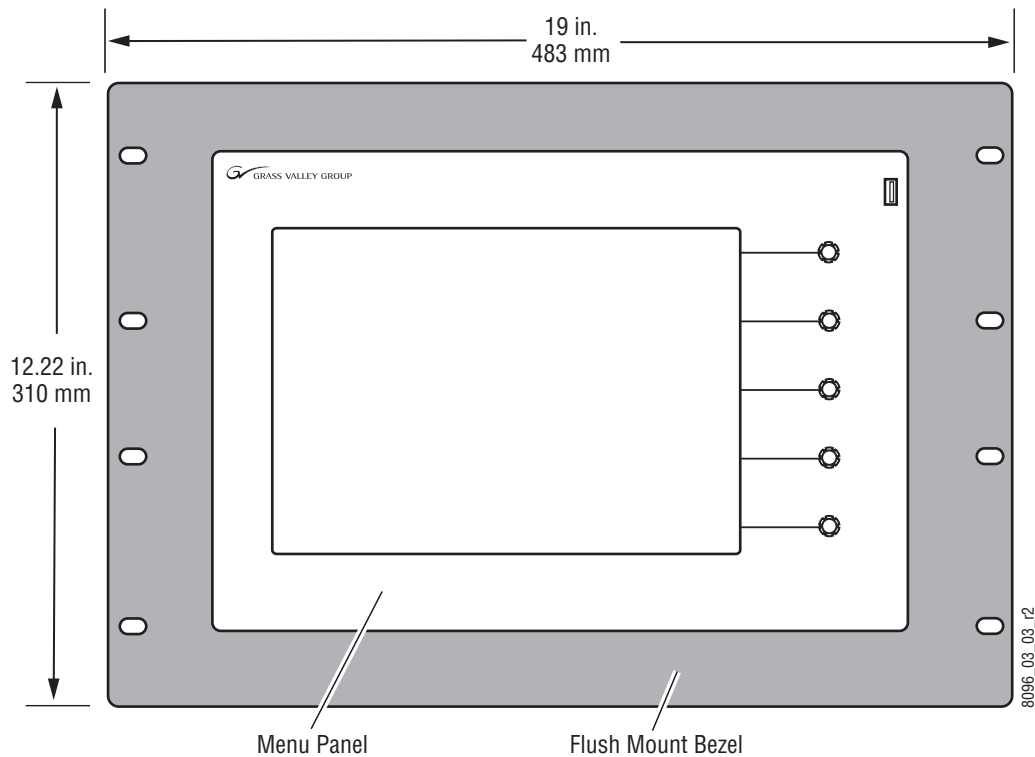
## Flush Mount Kit

The Flush Mount kit allows the Menu panel to be installed in a standard 19 in. (483 mm) rack (Figure 83), occupying seven rack units. Alternatively, the Menu panel can be set into a console cutout (Figure 85 on page 104).

Access to the CD-ROM on the right side of the Menu panel is blocked with this mounting option, so an external CD-ROM with a USB cable is provided. The external CD-ROM drive connects to one of the two USB ports on the Menu panel, and receives its power through this cable.

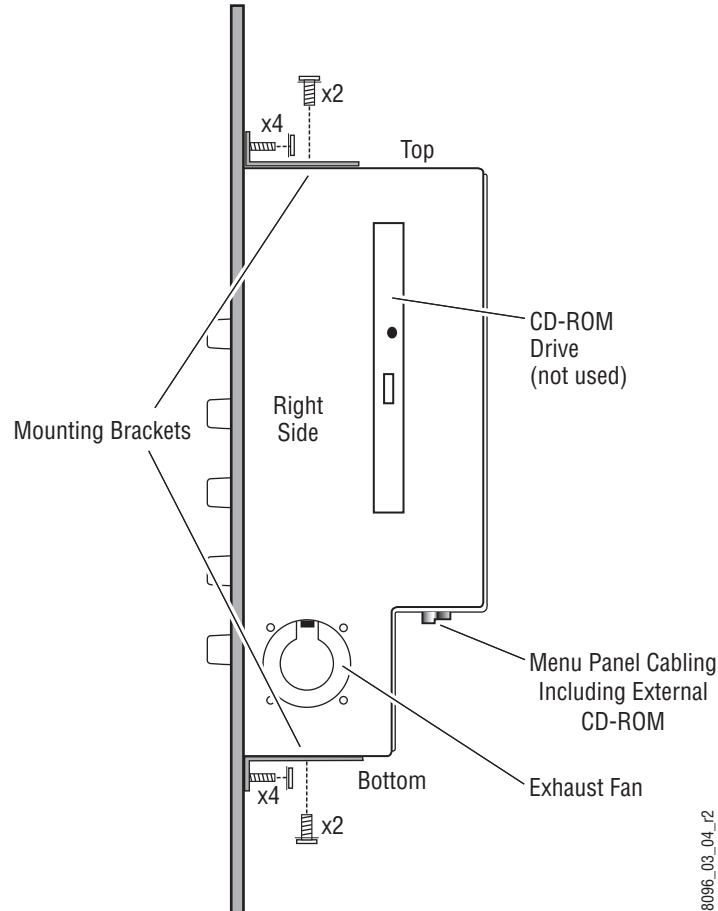
Clearance for the exhaust fan on the right side of the panel and the interconnect cables to the external CD-ROM, Main panel and Video Processor frame on the bottom of the panel must also be taken into consideration when mounting the panel in this manner.

Figure 83. Optional Flush Mount Kit



The Flush Mount bezel is attached to the top and bottom of the Menu panel with two mounting brackets as shown in [Figure 84](#). Four #10 screws are included for attaching the Flush Mount assembly to the Menu panel.

Figure 84. Attaching Flush Mount Bezel to Menu Panel



To install the Menu panel into a console cutout the Flush Mount bezel is removed. The mounting brackets directly support the top and bottom of the Menu panel ([Figure 85 on page 104](#)). Eight wood screws (not provided) secure the mounting brackets to the console. Dimensions for the console cutout without the Flush Mount bezel are given in [Figure 86](#). For the best cosmetics, it is recommended to have the Main panel protrude slightly above the console surface to conceal the cut console edge.

**CAUTION** Console thickness should not be less than 0.5 in./13 mm for proper support of the Menu panel.

Figure 85. Menu Panel Console Installation

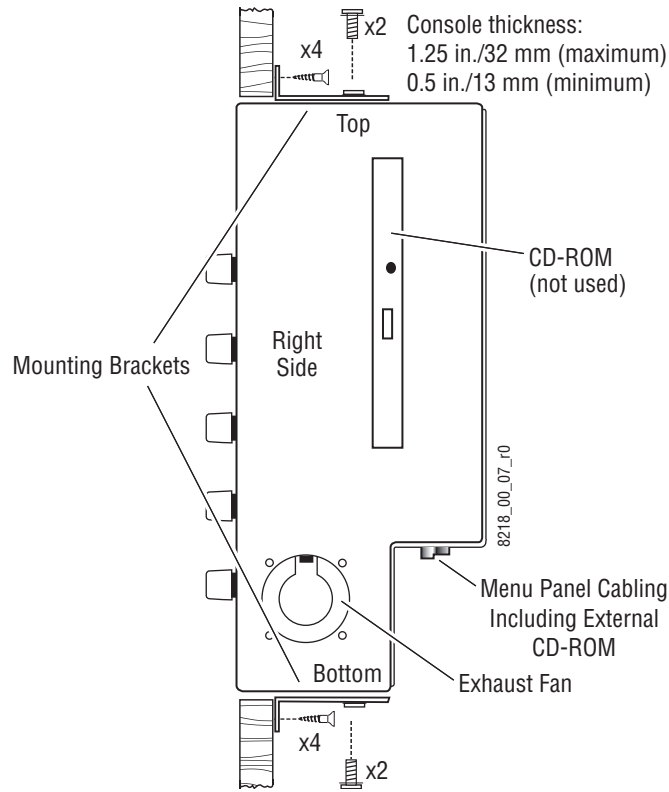
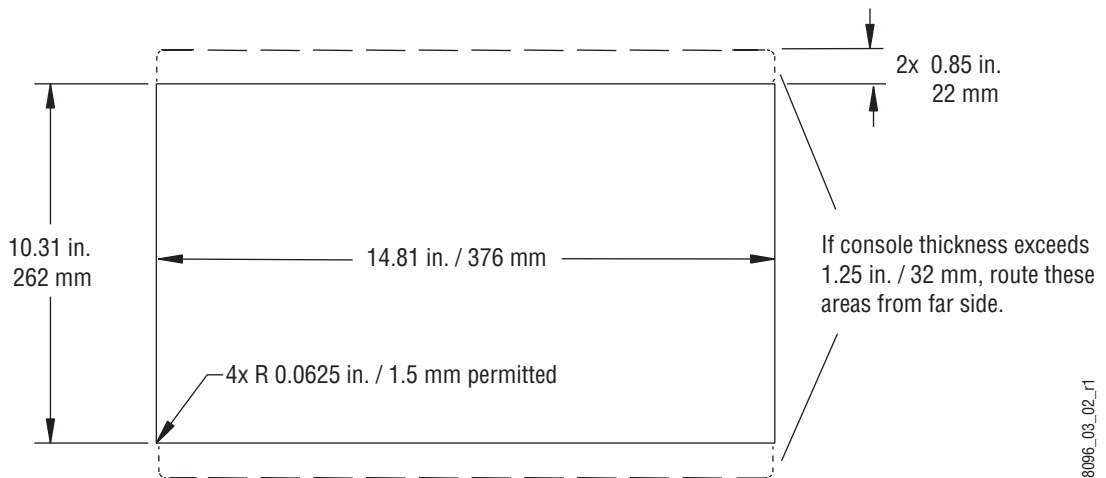


Figure 86. Menu Panel Console Cutout Dimensions





## Power Cabling

The Menu panel is normally receives its power from the Main panel. The Menu panel can be powered separately, using the same model optional power supply available for the Local Aux panel.

## Mouse and Keyboard Connections

A standard PS/2 mouse and keyboard can be installed to the bottom of the Menu panel if desired. Be sure to power down before installing either the mouse or keyboard.

## Cross Over Button

The point-to-point connections between the Menu panel and the Video Processor frame requires swapped Transmit (TX) and Receive (RX) pairs. The Video Processor frame's built-in Ethernet switch automatically detects the incoming polarity and establishes the proper connection. Should the Menu panel be connected to an Ethernet device that does not automatically correct for polarity, the **Cross Over** button on the rear of the Menu panel can be used to either swap or unswap the TX and RX pairs. This eliminates the need for a crossover cable. The button itself does not indicate the current polarity state. Correct polarity can be determined after power up. The LAN Link LED at the LAN cable connector illuminates to indicate the physical connection is correct. If no communication can be established, perhaps because of incorrect cable polarity, the LED will not illuminate. If this occurs, press the **Cross Over** button on the Menu panel to reverse the polarity.

## Menu Panel Pinouts

Menu panel serial ports are shown below.

Serial Ports RS-232	Pin	Menu Proc. COM 3	Menu Proc. COM 4
	1	DSD	DSD
	2	RXD	RXD
	3	TXD	TXD
	4	DTR	DTR
	5	Chassis GND	Chassis GND
	6	DSR	DSR
	7	RTS	RTS
	8	CTS	CTS
	9	Menu Reset <sup>a</sup>	RI (Ring Indicator)

<sup>a</sup> Open circuit or Mark (-5 to -15 volts) is run. Space (+5 to +15 volts) is reset.

## Removable Media Drives

### USB Memory Stick

Current Kalypso HD systems ship with a USB Memory Stick, an Enhanced Menu panel, with a USB port on the front, and an internal CD-ROM drive. Insert the USB Memory Stick into the USB port on the front of the Enhanced Menu panel.

### Zip Drive (Earlier Kalypso Systems)

No special mounting brackets or specific placement is required for the Zip drive. Placement is restricted only by cable length. A 1.83 m (6 ft.) USB cable is provided. The Zip drive connects to either USB port on the Menu panel, and is powered through its USB cable. The Zip drive accommodates 100 MB or 250 MB removable disks. One 250 MB Zip disk is included.

### Optional External CD-ROM Drive

No special mounting brackets or specific placement is required for the optional external CD-ROM drive. Placement is restricted only by cable length. The CD-ROM ships with a short custom USB adapter cable. A 1.83 m (6 ft.) male A to female A USB extension cable is provided.

## Additional Touch Screen Display Option

As an option, an additional Touch Screen Display can be purchased for use with a Kalypso system. This option consists of an Enhanced Menu panel and power supply.

When configured and connected to the Kalypso network, the additional Touch Screen Display can be used to control the Kalypso system just like the first Menu panel. The only difference in operation is Main panel DPOPs do not affect the additional Menu panel (unless the Main panel is configured to use the IP address of the additional Menu panel instead of the first Menu panel). Multiple additional Menu panels can be added to a Kalypso system, if desired.

## Installation and Configuration

You need the following items to complete this procedure:

- PS/2 keyboard and mouse, and
- Kalypso Software CD (the version currently installed on your Kalypso system).

Because the Touch Screen Display is essentially a customized PC compatible with a built-in touch screen, it supports stand-alone operation and so can be configured anywhere. It need not be connected to a Kalypso system or be physically installed at its final destination. It is in fact safer to configure the unit and install software while the unit is isolated from the network.

1. Connect the PS/2 keyboard and mouse to the new Touch Screen display.
  2. Connect the additional Touch Screen Display to the power supply, and connect the power supply to a source of electrical power.
  3. Leave the Touch Screen Display Ethernet port disconnected from the Kalypso network at this time, to prevent potential Ethernet conflicts.
  4. Ensure you have clear access to the CD-ROM on the side of the unit.
  5. Power on the Touch Screen Display.
  6. Set the IP addresses of the Touch Screen Display to unique numbers appropriate for your Kalypso network using standard Windows 2000 methods:
    - a. Go to **Settings> Network and Dial-Up Connections> Local Area Connection> Properties> TCP/IP> Properties**.
    - b. Select **Use the following IP address**.
    - c. Enter the IP address and Subnet Mask
    - d. If you plan to access the Kalypso system with this Touch Screen Display from a different network, enter the Kalypso system Gateway address.
    - e. Select **OK**.
  7. Restart Windows 2000 to make the IP address changes take effect.
  8. Install the Kalypso Menu panel software on the Touch Screen Display using the Kalypso software CD.
- Note** Use the **Menu on PC** checkbox in the Kalypso Software Update Tool to prevent installing unnecessary files onto the Touch Screen Display.
9. Connect the additional Menu panel to the Ethernet network.
  10. Touch the **Kalypso Menu** icon on the desktop. The Menu application will launch.
  11. Go to **Eng Setup, System, Suite Def** and enter in the Frame pane the IP address of the Video Processor frame this Touch Screen Display will communicate with. If the Still Store option is present, also enter the IP address of that Still Store.

12. If you will be using this Menu panel on a Kalypso system operating in Multi-Suite mode, also enter the IP address of the Touch Screen Display itself as a Kalypso Node, enter a Node Name if desired, and specify which Suite and Control Surface for the Touch Screen Display.
13. Exit the Kalypso Menu application and restart it.
14. Touch the **Kalypso Menu** icon on the desktop. The Menu application will launch.
15. Confirm the additional Touch Screen Display now provides control of the Kalypso system.
16. Complete the hardware installation of the Touch Screen Display in the desired final location using the mounting brackets provided.

When setting up a multiple panel system that includes both another Main panel as well as a Menu panel, it is important to associate the correct panels so that the control surfaces don't interact. The Main panel and Menu panel reference each other to support the DPOP mechanism. If a second control surface includes both a Main panel and a Menu panel, make sure they specify each other's IP address.

## Kalypso System Control Via PC

The Kalypso Menu application can be installed on a PC, which can be configured with the Kalypso network to provide an additional control point to the Kalypso system. Menu knobs are not available when running on a PC, but knob values can be input with the popup keypad.

**CAUTION** Access to the PC should be controlled when the Kalypso system is in use, to prevent accidental changes to Kalypso system operations.

### PC Requirements

The PC must have at least 128 MB RAM, a 350 MHz processor (or higher if running multiple applications), an 800 x 600 screen, and either Windows NT 4.0 with Service Pack 4 (or higher), Windows 2000, or Windows XP. The PC must also support 10Base-T or 100Base-T Ethernet.

### Hardware Installation

Connect a Category 5 Ethernet cable from the PC to the Kalypso network, either indirectly via a properly configured network gateway, or by directly plugging the cable into an available port on the Kalypso system network switch. If using a direct connection, the PC's IP address must be compatible with the Kalypso system network.

## Software Installation

**Note** The PC must be rebooted to complete the installation. Close all open applications before doing the install.

1. Insert the Kalypso Software CD into the PC's CD-ROM drive and accept the license agreement.
2. Select the **Menu on PC** check box and click on **Install**.
3. When you finish the installation the Kalypso Menu application icon will appear on the desktop.

## Configuration

1. Run the Kalypso Menu application, by double clicking on its icon.
2. Go to **Eng Setup, System, Suite Def** and enter in the Frame pane the IP address of the Video Processor frame this PC will communicate with. If the Still Store option is present, also enter the IP address of that Still Store.
3. If you will be using this PC on a Kalypso system operating in Multi-Suite mode, also enter the IP address of the PC itself as a Kalypso Node, enter a Node Name if desired, and specify which Suite and Control Surface for the PC.
4. Exit the Kalypso Menu application and restart it.

### Do Not Use Large Fonts with Menu on PC

When running the Kalypso Menu on a PC, the menu may not be drawn correctly if the Large Fonts display setting is selected.

For Windows 2000, the Font Size setting is in the Display Control Panel. Select Settings and then Advanced. It must be set to "Small Fonts". Normal Size (96 dpi) should appear below. A Windows restart is required.

For Windows NT, the Font Size setting is in the Display Control Panel Settings tab (no Advanced subdialog).

You can use a search of "use larger or smaller display fonts" to locate the appropriate instructions in Windows Help.

## Operation

Once configured, any changes made on the Kalypso Menu running on the PC will affect the Kalypso system it is communicating with. This means control can originate from the Kalypso Main panel, the Local Aux panel, or

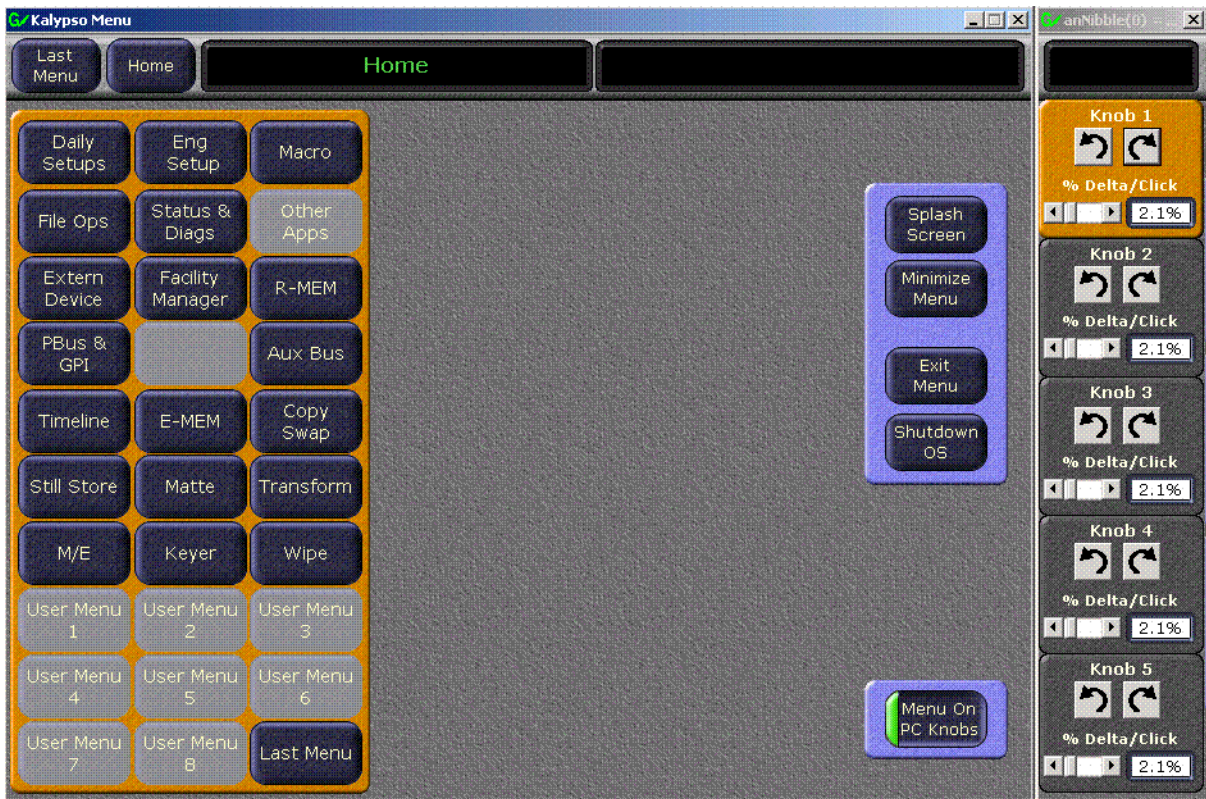
the Kalypso Menu panel (all of which are typically manned by a single operator), and also from the PC, which may be located anywhere in the facility. No priority is given to any of these control points. Obviously, care must be taken to coordinate Kalypso system operation when multiple control points are present, especially if the control points reside in separate locations.

**Note** Should two commands be issued at the same instant, there is no way to predict the order the commands will be executed. The Ethernet collision mechanism re-sends colliding messages. Whichever command happens to be reissued first will be sent, followed by the other command.

## Menu on PC Knobs

Knob controls are available to users of the Menu on PC application. From the Home menu, touch the **Menu on PC Knobs** button to display the controls (Figure 87).

Figure 87. Menu on PC Knob Controls

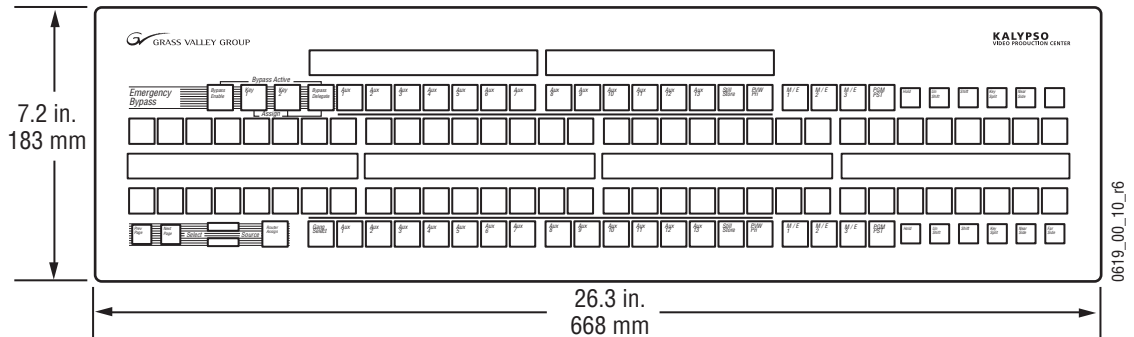


Clicking on the clockwise and counterclockwise arrows changes the associated knob value. On some parameters the **% Delta/Click** slider control can change how much the knob value changes per click. Other parameters (like menu item selections) are not affected by the delta control.

# Local Aux Panel Installation

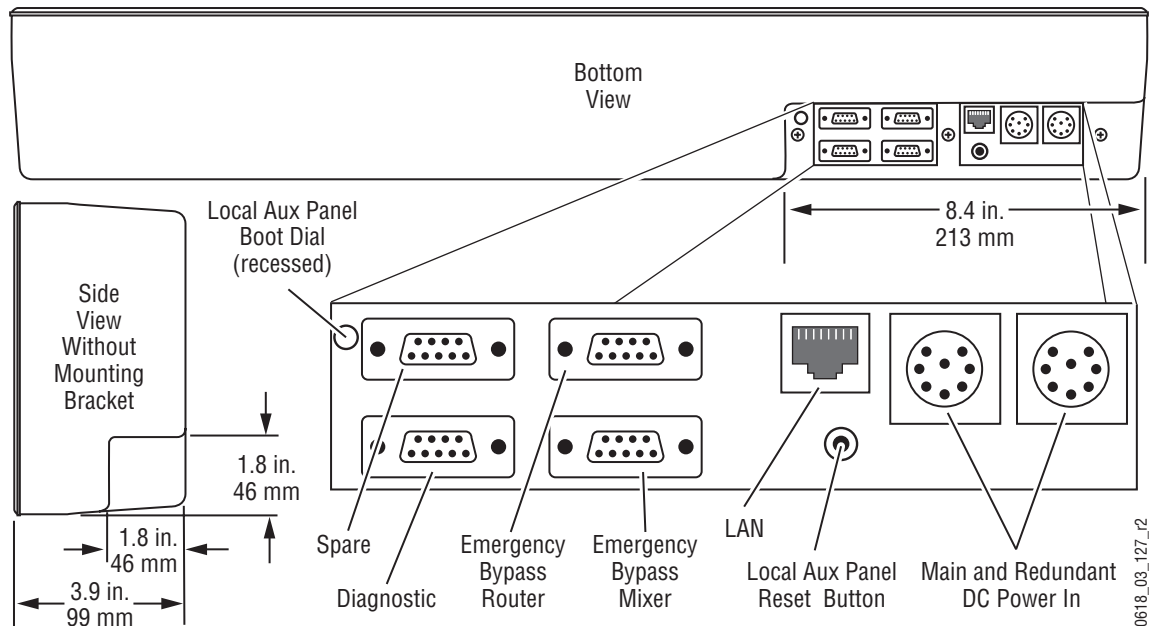
The Local Aux panel (Figure 88) provides control of Kalypso system Aux buses, switched preview, router source selection, Still Store option source selection, and Emergency Bypass option operation. The Local Aux panel has been integrated into the design of the 2-M/E Main panel, so a separate Local Aux panel is not provided with 2-M/E systems.

Figure 88. Local Aux Panel Dimensions



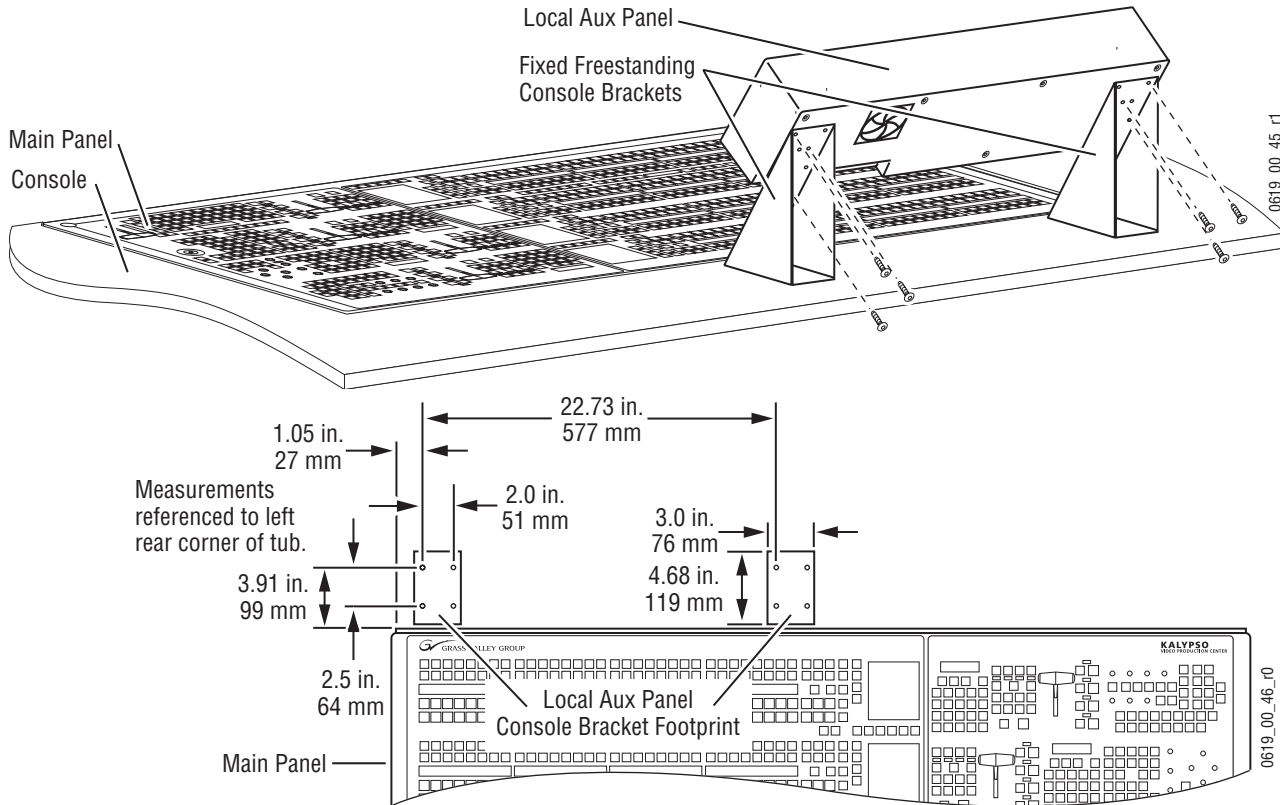
Ports located on the rear of the Local Aux panel (Figure 89) provide connections to the Kalypso Main panel. The Kalypso system may be configured with several other types of Remote Aux panels. Refer to the Kalypso *Ordering Guide* for more information on these panels.

Figure 89. Local Aux Panel Connections



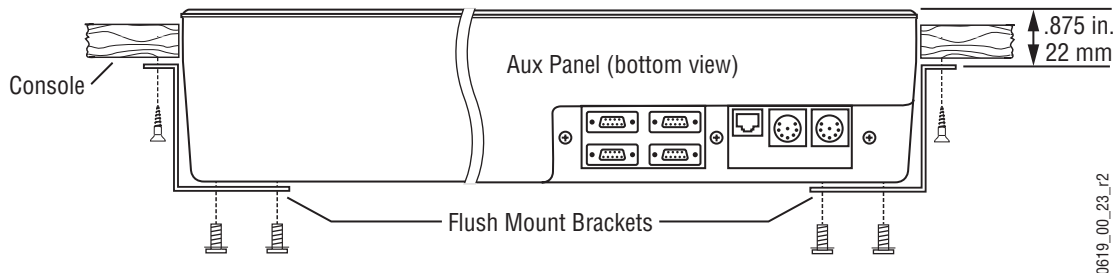
Console mounting brackets ship with the Local Aux panel. [Figure 90](#) provides guidance for mounting the Local Aux panel on its console brackets so that its Source Selection buttons align with those on the 4-M/E Main panel.

Figure 90. Recommended Bracket Placement for Console Mounting Local Aux Panel



As an alternative to the console surface mount brackets shown above, the optional flush mount brackets depicted in [Figure 91](#) provide console flush mount capability.

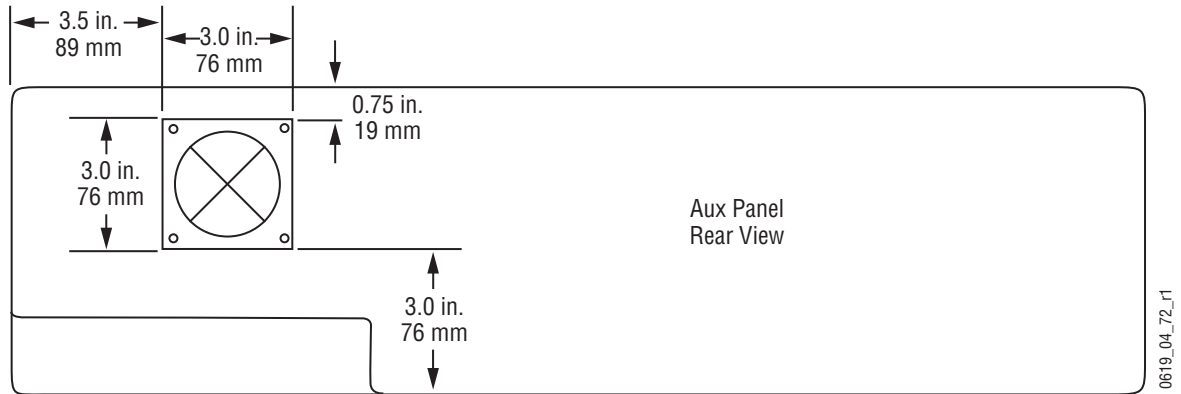
Figure 91. Local Aux Panel Console Flush Mount





When flush mounting the Local Aux panel, leave the area near the fan open for cooling (Figure 92).

Figure 92. Local Aux Panel Fan Position



## Emergency Bypass Option

The Emergency Bypass option provides a redundant video and control path that can be used to stay on air in the unlikely event that the Kalypso Main panel or Video Processor frame become inoperative. Operator control is provided by the Local Aux panel. The Emergency Bypass option uses an external router to perform the actual source selections.

The Emergency Bypass option operates with SD video only. This option is supported by Kalypso Duo systems and Kalypso HD systems operating in SD mode.

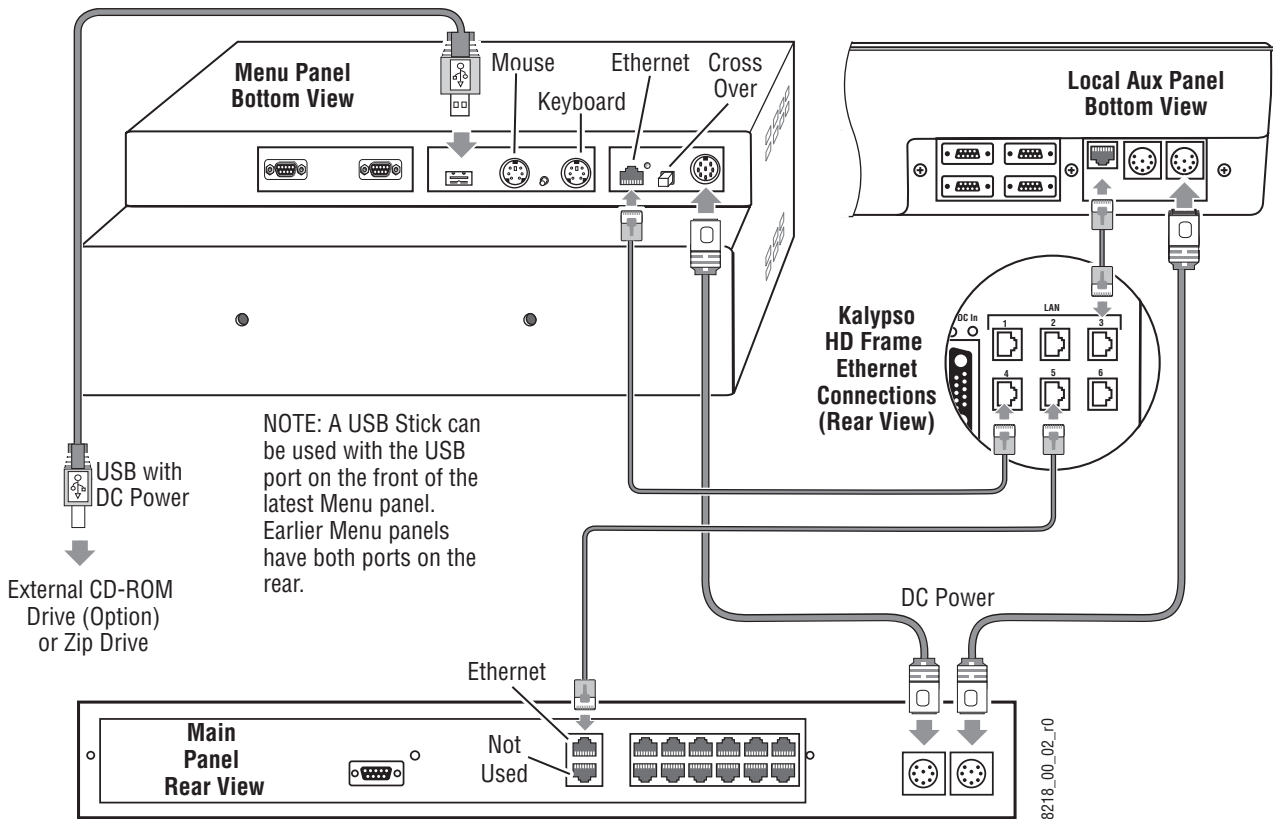
Installation, configuration, and operating instructions are covered in the separate *Emergency Bypass Instruction Manual* provided with the Emergency Bypass Option hardware.

# Kalypso System Cabling

## Control Cabling

Figure 93 shows cabling for a standard 4-M/E Kalypso Control Surface.

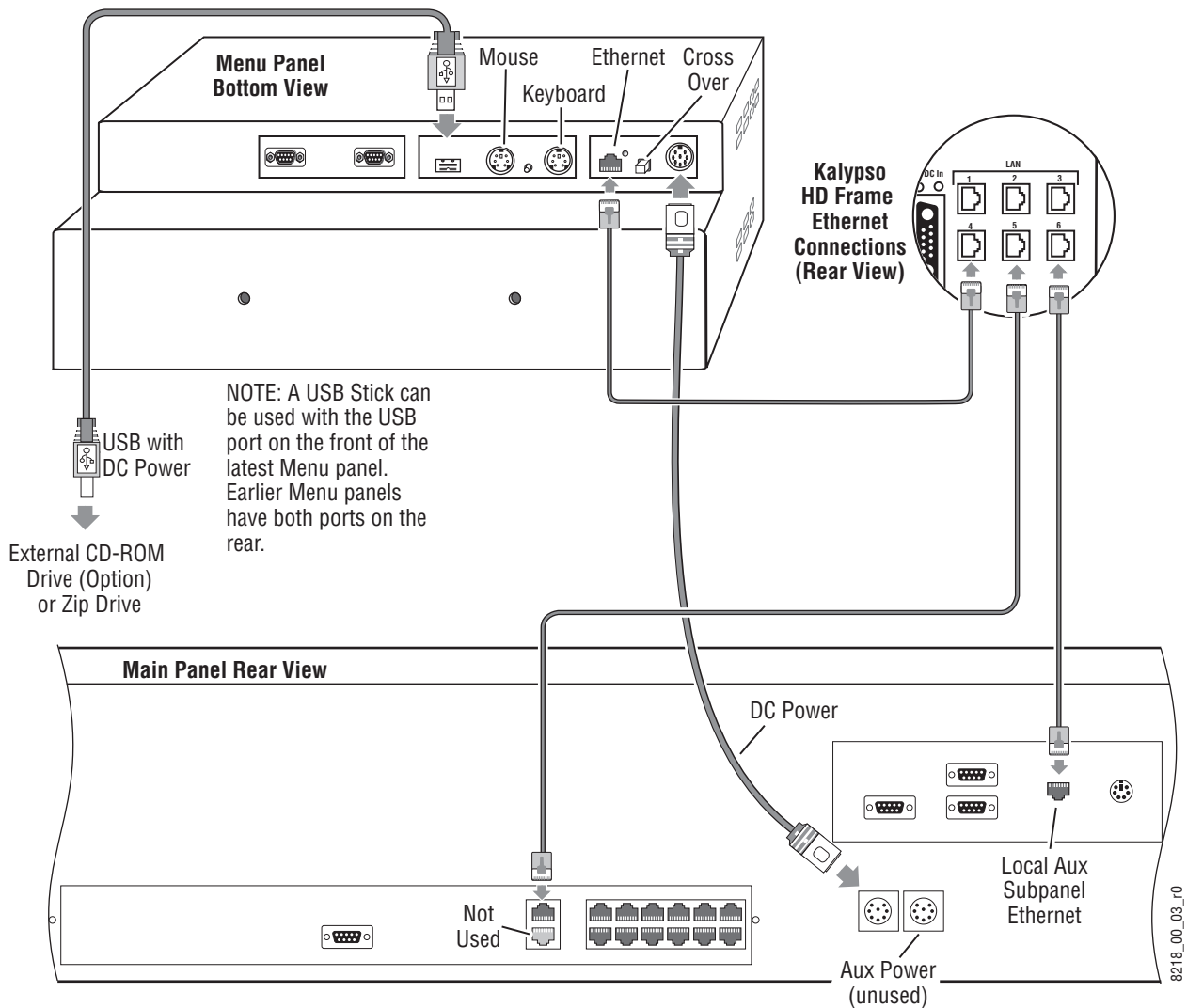
Figure 93. Standard 4-M/E Control Surface Cabling



The cabling of a standard 2-M/E Kalypso Control Surface is illustrated in Figure 94. Because the Local Aux panel is built into the 2-M/E Main panel, its LAN connector (located on the rear of the Main panel) is connected directly to the Ethernet switch in the Video Processor frame.

The latest model Menu panel has a USB port on the front and another on the rear. Previous model Menu panels have two USB ports on the rear.

Figure 94. Standard 2-M/E Control Surface Cabling



The Kalypso system uses Ethernet and serial control. Tally and GPI control are also available. Overall system control for late model Kalypso systems is shown in [Figure 31 on page 48](#) and [Figure 32 on page 49](#).

## Cables Provided

The following cables are provided with a standard 4-M/E system.

Table 7. Supplied Cables

Cable	Description	Quantity	Part Number
Power Supply AC line cord	AC line cord kit	1	
Power Supply to Frame DC supply cable	DC power cable	1	
Main Panel AC line cord	AC line cord kit	1	650-4175-XX
Main Panel to Local Aux Panel DC power <sup>a</sup>	8-pin DIN, male-to-male, 2 ft. (0.6 m)	1	174-4447-00

Table 7. Supplied Cables - (continued)

Cable	Description	Quantity	Part Number
Main Panel to Menu Panel DC power	8-pin DIN, male-to-male, 10 ft. (3 m)	1	174-4447-10
Menu Panel to External CD-ROM USB <sup>b</sup>	USB extension male A to female A (1.8 m)	1	174-8168-00

<sup>a</sup> Pre-installed inside each 2-M/E Main panel

<sup>b</sup> Included only with Flush Mount Bracket kit.

Cables provided with the 2-M/E Kalypso system are identical to those supplied with the 4-M/E system, except Local Aux cabling is pre-installed inside the 2-M/E Main panel tub. Local Aux cable connections are located on the rear of the 2-M/E Main panel.

## LAN Requirements

The Kalypso system uses an Ethernet Local Area Network (LAN). The Kalypso HD Video Processor frame contains a built-in 8 port Ethernet switch (six external ports and two internal ports for the Frame CPU and the Still Store) providing convenient connections for system components. The built-in switch automatically senses Ethernet cable wiring, so there is no need to use crossover cables. Remote Aux panels may be connected directly to the internal Video Processor frame switch, or through an external Ethernet switch or hub. A hub is required only if there is a need to exceed 100 m (328 ft) between the system component and Video Processor frame.

**CAUTION** Ethernet hubs are not acceptable for the main Kalypso Ethernet interconnect. Use of a hub instead of a switch may cause sluggish responses to panel button presses and erratic lever arm motion. Connect all Kalypso nodes to the same switch to avoid sluggish or erratic response. Keep your facility internet and technical network separate (use a router) to keep network traffic from negatively affecting Kalypso system operation.

Table 8 lists the Kalypso Ethernet LAN specifications,

Table 8. Ethernet Specifications

<b>Cables<sup>a</sup></b>	<b>Type</b>	10Base-T and 100Base-T compatible. Category 5 cable, 8 conductor twisted pair.
	<b>Connectors</b>	RJ-45 male connector at each end of cable.
	<b>Length<sup>b</sup></b>	10Base-T: 300 m (984 ft) maximum. 100Base-T: 100 m (328 ft) maximum.
<b>Switch</b>	<b>Speed</b>	Dual: 10 and 100 Mb
	<b>Ports</b>	RJ-45 auto-negotiating 10/100 Mb; number of ports required is dependent upon system size.
	<b>Unmanaged</b>	Recommended. Configuration is not required, but does not provide remote monitoring capability.
	<b>Managed</b>	May be used. Requires configuration, but offers remote monitoring capability.

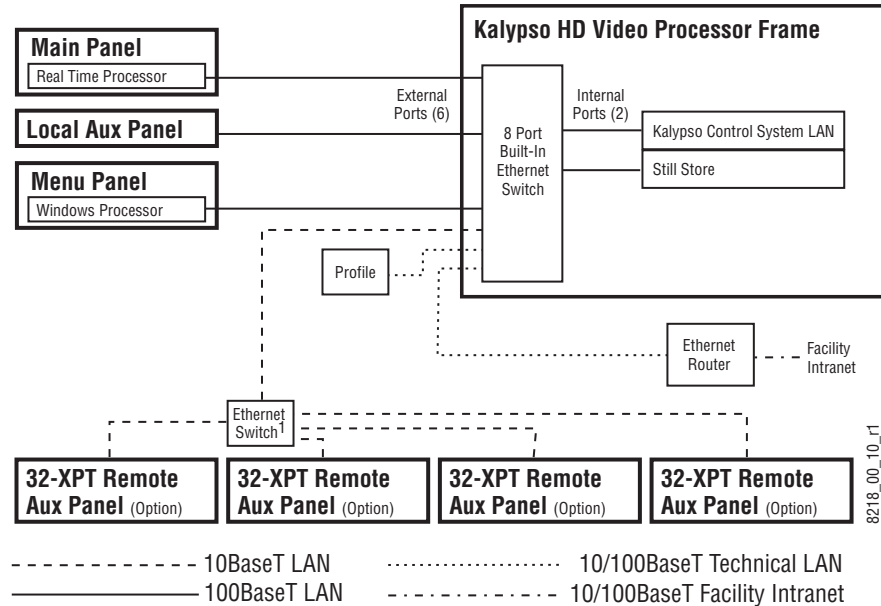
<sup>a</sup> The system will work at 10Base-T with reduced performance. 100Base-T components are highly recommended.

<sup>b</sup> Use a hub when necessary to exceed maximum cable runs.

An example of a small Kalypso HD system LAN is illustrated in [Figure 95](#). In this configuration, the Main panel, Menu panel, Local Aux panel, uplink

from an Ethernet hub with four Remote Aux panels, and a Profile VDR are all connected directly to the Video Processor frame built-in Ethernet switch. The Kalypso system can then be interfaced to an existing network, preferably through a router to reduce network traffic on the Kalypso HD system LAN.

Figure 95. Example Topography Using Built-In Eight Port Ethernet Switch

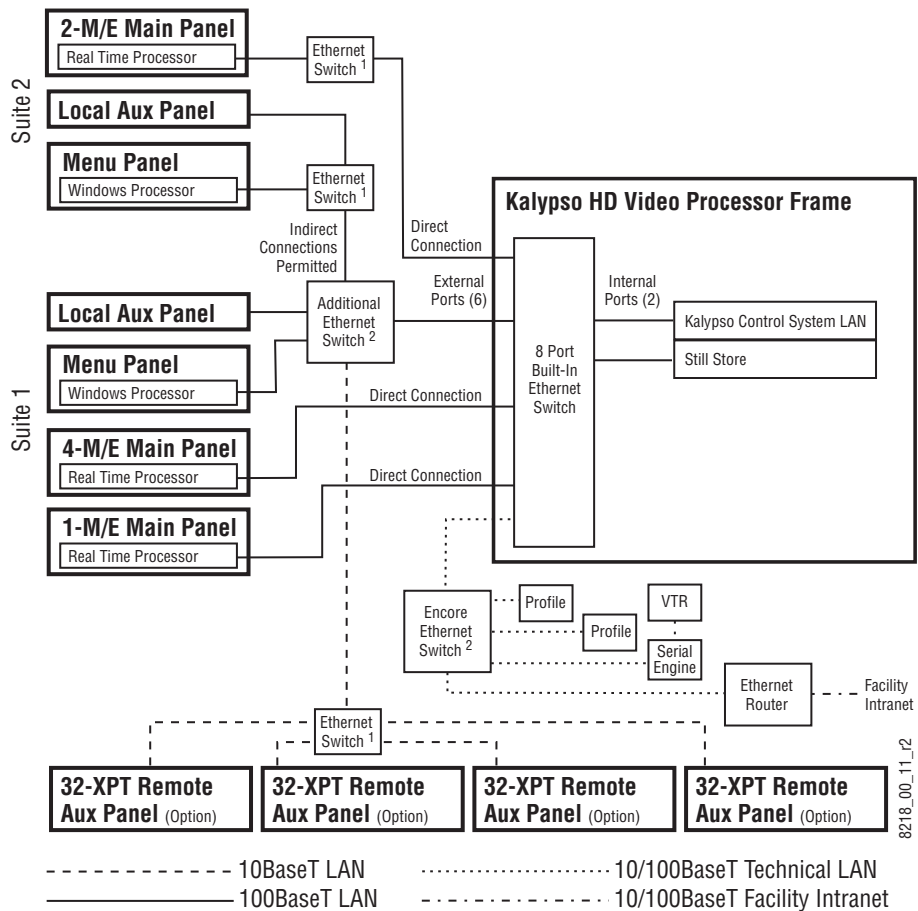


<sup>1</sup> Use unmanaged switch to exceed 100 m (328 ft.) cable limitations.

<sup>2</sup> Use switch to expand number of Ethernet ports.

An example of a larger Kalypso HD system is illustrated in Figure 96. Two suites exist at this facility, one of which is configured with two Kalypso Main panels. All the Main panels (4-M/E, 2-M/E and 1 M/E) should be connected directly to the frame's built-in Ethernet switch to reduce network traffic for these real time components. Menu panels, and Local Aux panels, and Remote Aux panels may be connected indirectly through an additional Ethernet switch to increase the number of available ports. A connection to an Encore machine control LAN equipped with multiple devices is also shown.

Figure 96. Example Topography Requiring Additional Ethernet Switches



<sup>1</sup> Use unmanaged switch to exceed 100 m (328 ft.) cable limitations.

<sup>2</sup> Use switch to expand number of Ethernet ports.

## Video Cabling

Different video and control wiring configurations may be used to meet individual facility requirements. All Kalypso system video inputs and outputs are configurable. Each input can be mapped to any Kalypso panel source select button, and any Kalypso system video signal can be mapped to any pair of output connectors. Refer to *Section 1 - Introduction* for an example of a typical Kalypso video cabling scenario.

### Inputs

Physical inputs are located at the actual BNC connector that feeds a signal into Kalypso. These non-looping inputs are numbered 1 through 90. Fifteen inputs are standard. Additional inputs in groups of fifteen are available as options. All video inputs are software configurable, and each input can be mapped to any Kalypso panel source select button. Refer to *Appendix A-Specifications* for connector and cable specifications.

### Outputs

Kalypso HD video output circuitry is located on the M/E modules. Each module holds 12 outputs, so a 4-M/E system will have 48 outputs. Systems with fewer than 4 M/Es will have fewer video outputs available. [Table 9](#) lists the output connectors associated with each M/E module.

Table 9. Kalypso HD Video Outputs

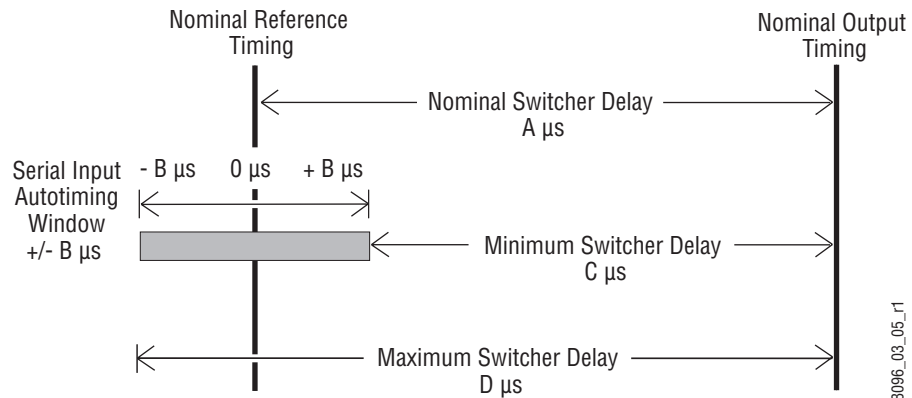
PGM PST (M/E 4)	M/E 1	M/E 2	M/E 3
Outputs 1-12	Outputs 13-24	Outputs 25-36	Outputs 37-48

Each signal is deserialized, auto-timed to an output reference, and then serialized. Each serial output signal is available on two BNC connectors. Any Kalypso system video signal can be mapped to any pair of output connectors. Refer to *Appendix A-Specifications* for connector and cable specifications.

## Kalypso Video Timing and Delay

The total delay of a video input to the switcher output can vary according to the relationship of the input to the switcher reference. The switcher will automatically autotime inputs that fall within an autotiming window. Inputs must be within this range to be properly timed at the output. The calculation of the actual video delay of a specific input is the Nominal Switcher Delay minus the input time location within the autotiming window (the time location value can be zero, positive, or negative). A timing diagram of the input autotiming window and various switcher delay values is provided in [Figure 97](#).

Figure 97. Switcher Timing Diagram



- For inputs entering the switcher in zero time with the reference, the total delay through the switcher is the Nominal Switcher Delay ( $A \mu\text{s}$ ).
- Inputs that reach the switcher at the latest point in the autotiming window ( $+B \mu\text{s}$ ) will have a total delay that equals the time required for switcher processing. This value is the Minimum Switcher Delay ( $C \mu\text{s}$ ).
- Inputs that reach the switcher at the earliest point in the autotiming window ( $-B \mu\text{s}$ ) will have a total delay equal to the Nominal Switcher Delay ( $A \mu\text{s}$ ) plus the autotiming window range. This value is the Maximum Switcher Delay value ( $D \mu\text{s}$ ).



On Kalypso HD systems the autotiming window varies depending on the operating mode (Table 10).

Table 10. Kalypso HD and Duo System Timing

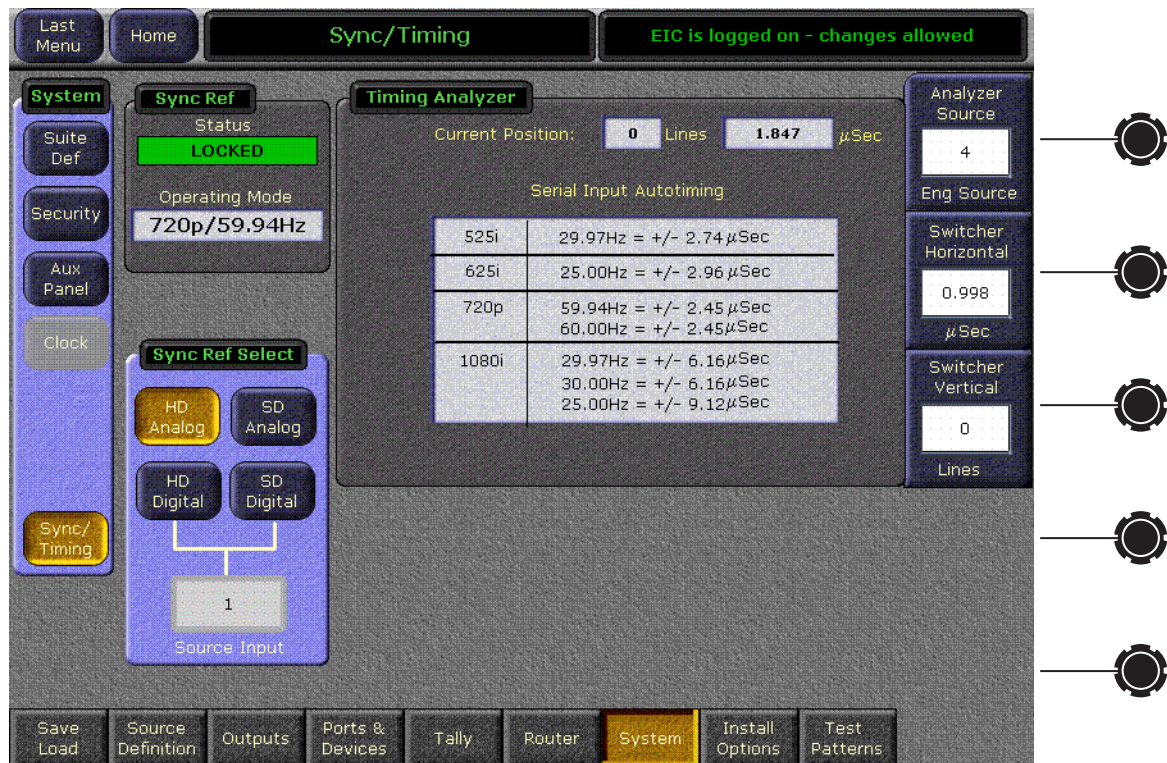
System Timing	HD Mode			SD Mode	
	720p/59.94/60	1080i/29.97/30	1080i/25	525i/60	625i/50
Nominal Switcher Delay	19.79 $\mu$ s	23.50 $\mu$ s	26.46 $\mu$ s	59.81 $\mu$ s	60.04 $\mu$ s
Serial Input Autotiming	+/- 2.45 $\mu$ s	+/- 6.16 $\mu$ s	+/- 9.12 $\mu$ s	+/- 2.74 $\mu$ s	+/- 2.96 $\mu$ s
Minimum Switcher Delay	17.34 $\mu$ s	17.34 $\mu$ s	17.34 $\mu$ s	57.07 $\mu$ s	57.08 $\mu$ s
Maximum Switcher Delay	22.24 $\mu$ s	29.66 $\mu$ s	35.58 $\mu$ s	62.55 $\mu$ s	63.00 $\mu$ s

**Note** The maximum switcher delay is approximately one line of video.

## Timing Analyzer

The Sync/Timing menu on Kalypso HD systems (accessed via **Eng Setup, System, Sync/Timing**) has a Timing Analyzer pane (Figure 98), which can help when timing the system.

Figure 98. Sync/Timing Menu, HD System



This analyzer reports the timing position of a selected source relative to the Kalypso internal sync generator. The source is selected with the upper right **Analyzer Source** soft knob and data pad. The relative position of that source is reported in lines and  $\mu$ s. Positive values indicate the source is later in time

than the internal sync generator, and negative values indicate the source is earlier.

Kalypso systems have an autotiming window. Sources that fall within that window will be properly timed throughout the Kalypso system, even if the signal is cascaded through four M/Es.

The **Switcher Horizontal** and **Switcher Vertical** soft knobs adjust the timing of the Kalypso HD system relative to the incoming reference. These values are generally best left at zero.

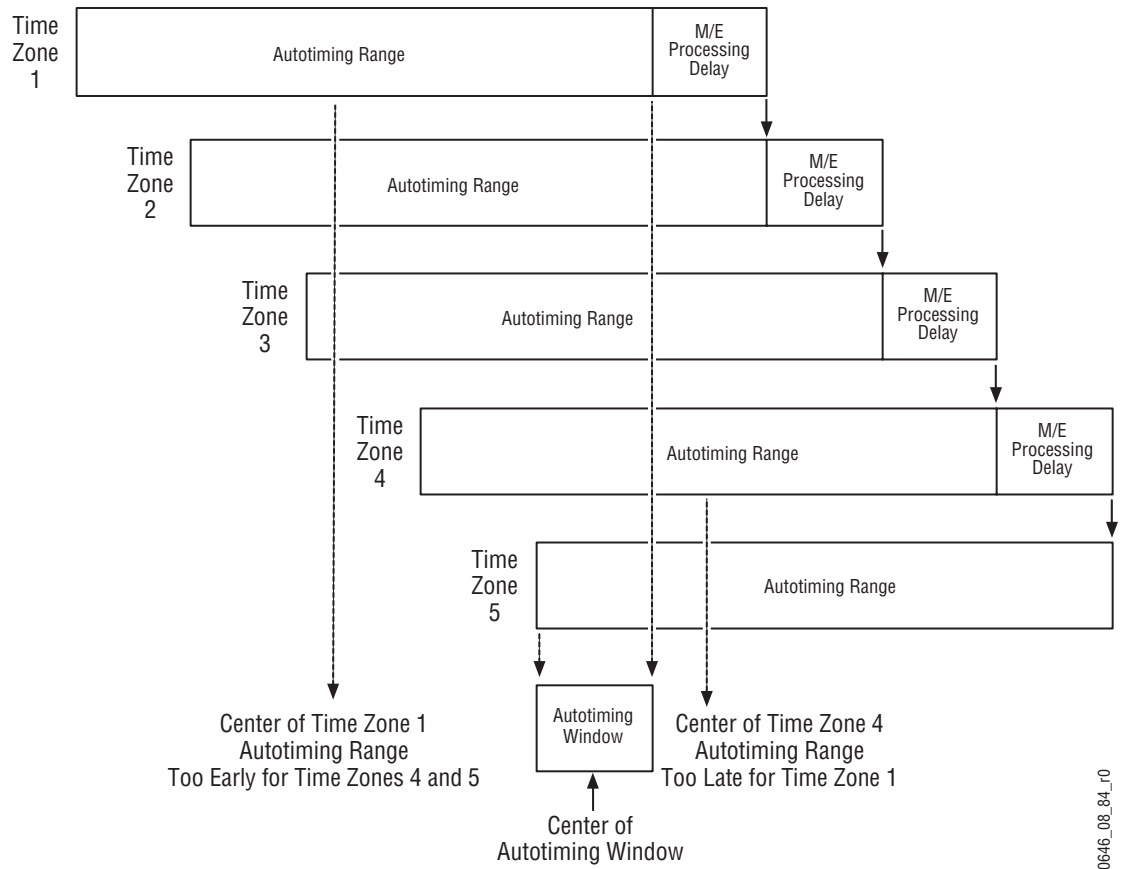
## Time Zones and the Autotiming Window

The following discussion provides background information on how the autotiming window is determined, and offers insights that can help when timing your Kalypso system.

Each M/E has a fixed amount of delay from its input to output. To allow reentries to remain in time, M/E timings are staggered such that the up stream M/E outputs are in time (or earlier) than down stream M/E inputs.

A 4 M/E production switcher has five time zones to accommodate reentry through all 4 M/Es to any output. When all M/Es are cascaded into each other the most up stream M/E is in the earliest time zone. Aux buses and other outputs are always in the latest time zone. The overlapping range of all the autotimers is the published autotiming window for the switcher. This is illustrated in [Figure 99](#).

Figure 99. Production Switcher Time Zones



0646\_08\_84\_r0

Any source fed to the switcher must be within the autotiming range of all five time zones. If not, the source will be in time on some M/Es but not on others. As illustrated in the figure, a source centered in one time zone's autotiming range can be too early or late for other switcher time zones.

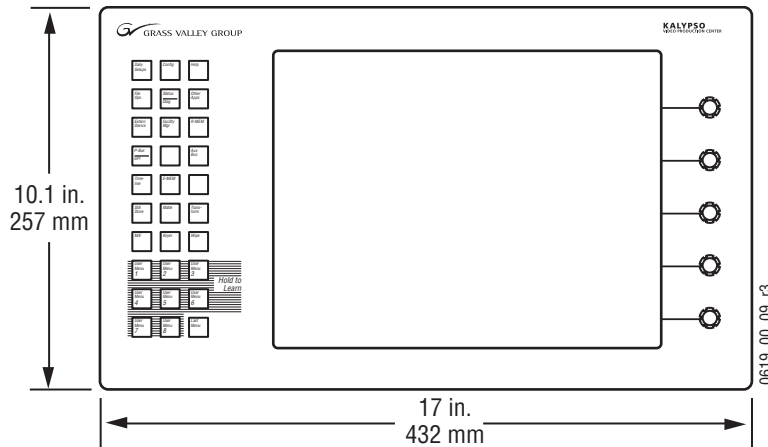
# Early Model Kalypso System Installation

Early model Kalypso systems are similar to late model systems, but have some important differences. In particular, early model systems use the original Menu panel, which has different installation and cabling requirements.

## Original Menu Panel Installation

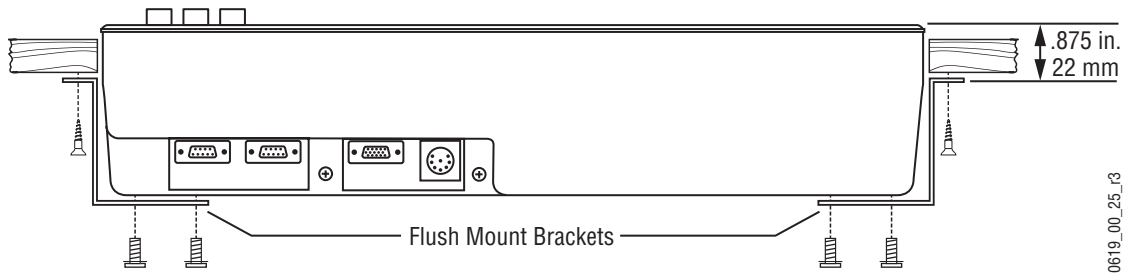
The original Kalypso Menu panel includes buttons on the left for accessing menus (Figure 100) and does not have an internal CD-ROM drive.

Figure 100. Original Menu Panel Dimensions

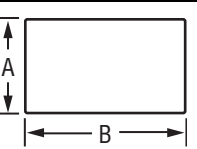


The processor for this model panel is located in the Main panel, and so additional ports and cable connections are required. Like the Enhanced Menu panel, the recommended mounting location for the original Menu panel is to the left or right of the Main panel (see Figure 80 on page 99). Early model Kalypso systems offered different flush mount brackets depicted in Figure 101, allowing it to be mounted in a console, tabletop, splash panel, or standard 19 in. (483 mm) rack.

Figure 101. Original Menu Panel Console Flush Mount

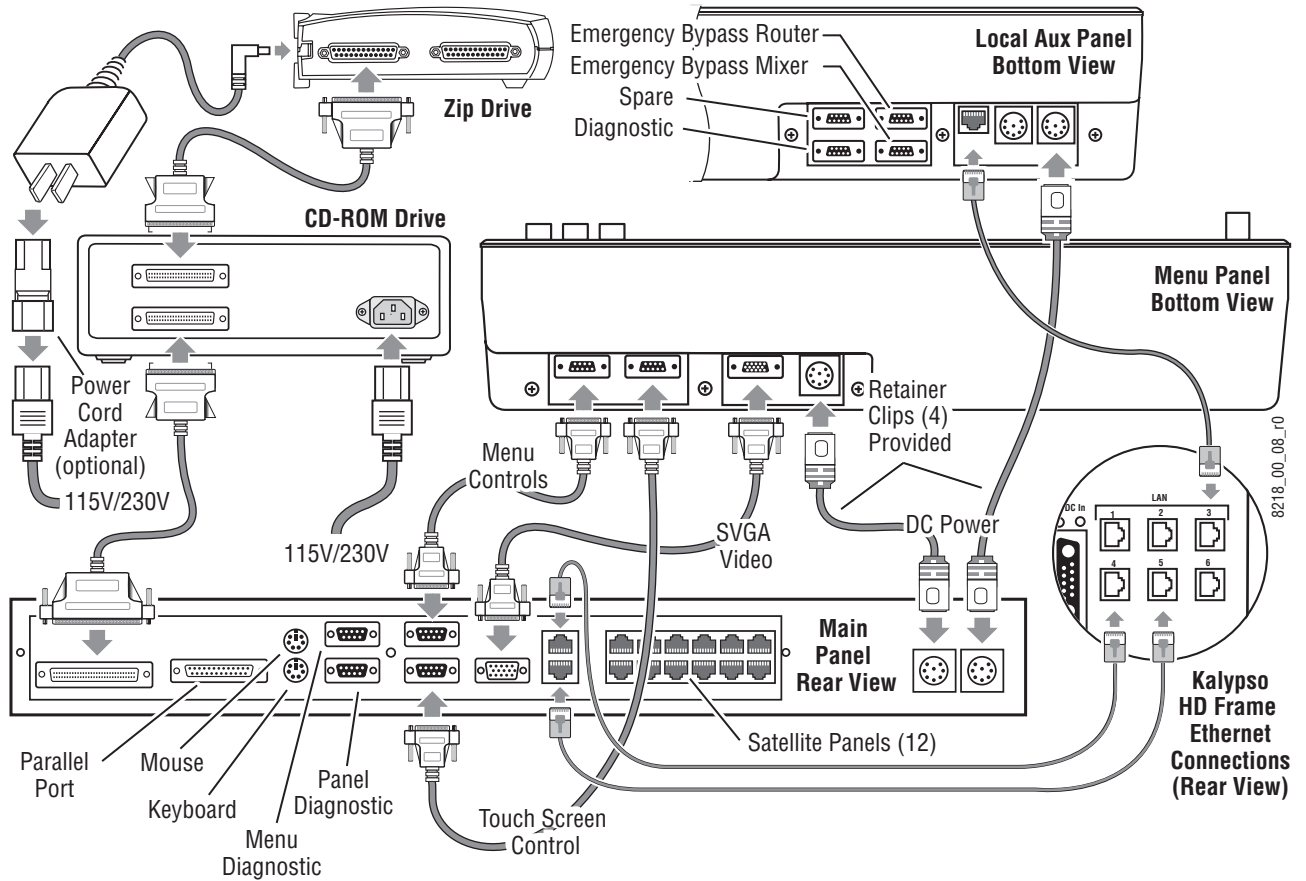


Menu Panel Mounting Option	Cutout Dimensions	
	A	B
Flush Mount, Fixed	10.22 in. (260 mm)	17.22 in. (437 mm)
Flush Mount, Adjustable	Depends on desired adjustability.	



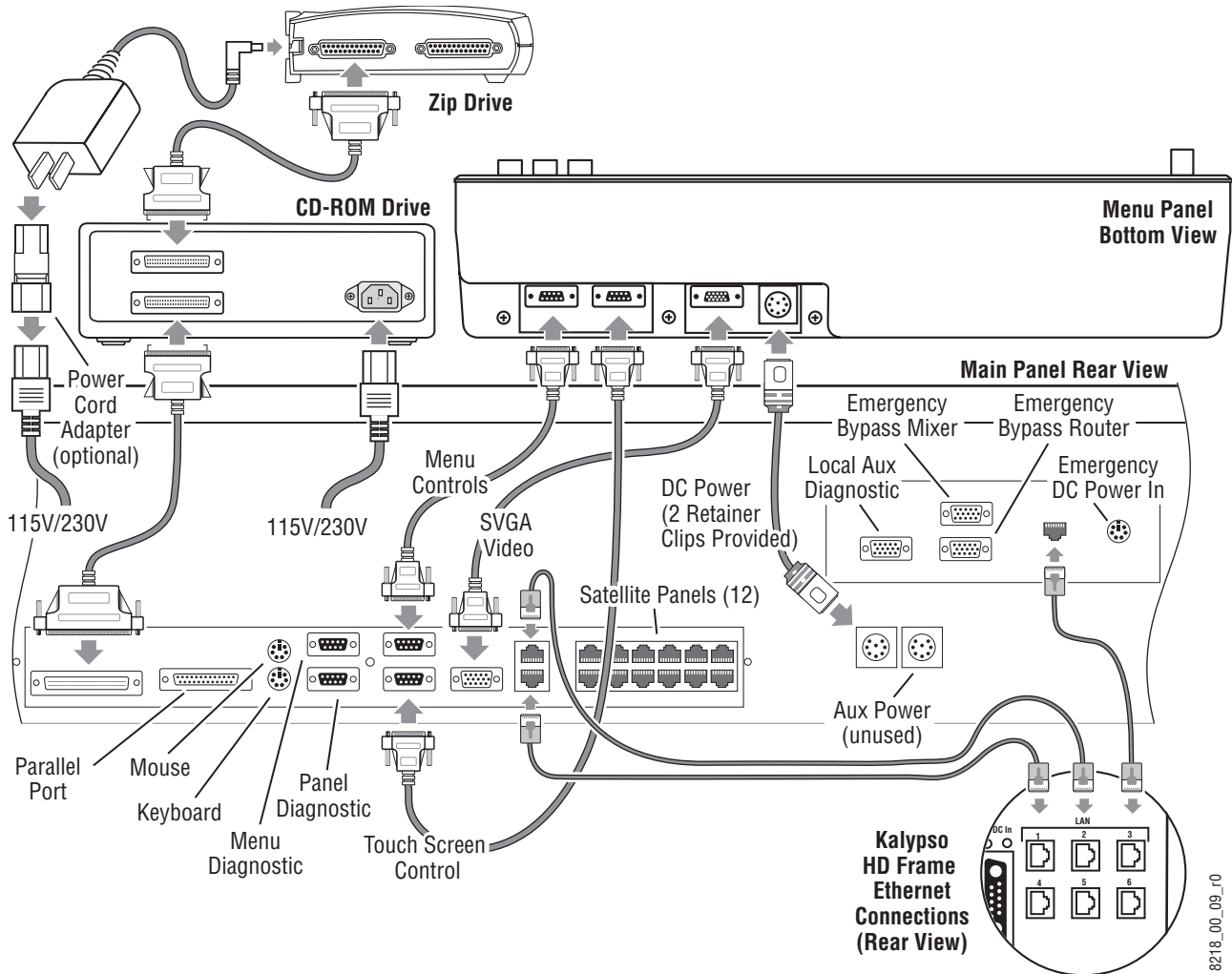
After mounting, connect the Menu panel to the Main panel according to the cabling diagram in [Figure 102](#).

Figure 102. Early Model 4-M/E Control Surface Cabling



On early model 2-M/E systems connect the Menu panel to the Main panel according to the cabling diagram in [Figure 103](#)

Figure 103. Early Model 2-M/E Control Surface Cabling



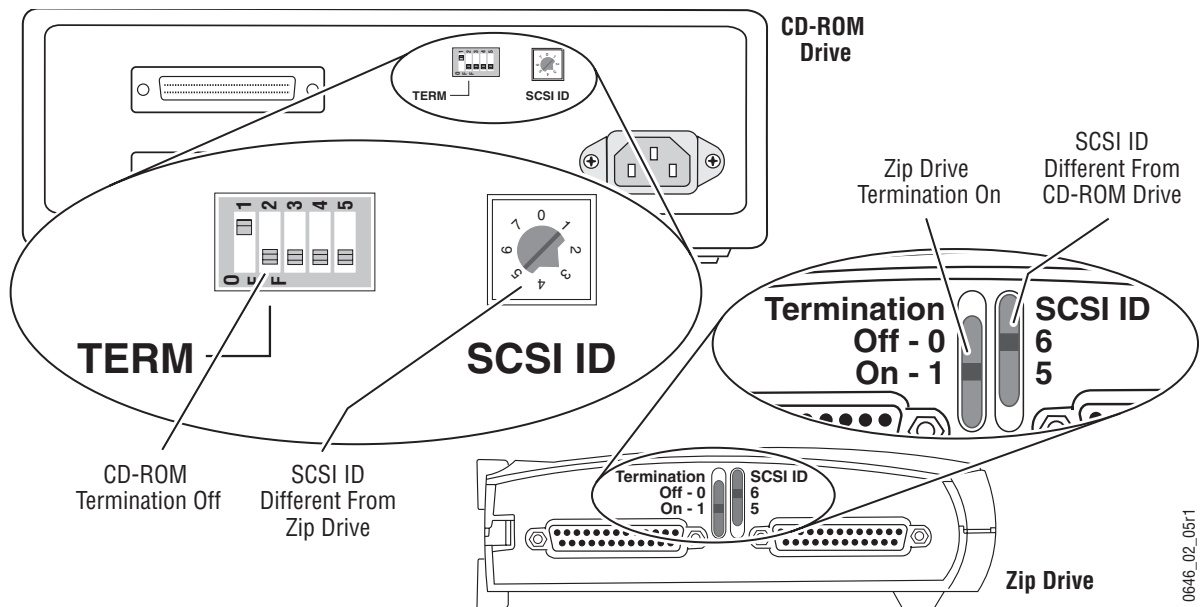
## Removable Media Drives

Three removable media drives are standard components of an early model Kalypso system, and are connected to the Main panel. Included are a CD-ROM drive (which connects to the Main panel SCSI port), a 250 MB Zip drive (which is connected to the SCSI chain via the CD-ROM), and a standard 1.4 MB 3.5 in. floppy disk drive. The floppy drive is mounted in the Main panel tub and is not intended for routine user access. No special mounting brackets or specific placement is required for the CD-ROM or Zip drives; placement is restricted only by cable length and proximity to AC power. A 3 m (10 ft) SCSI cable is provided for the CD-ROM, and the Zip drive ships with a 61 cm (2 ft) SCSI cable. The SCSI chain supports up to seven devices and a maximum total cable length of 6 m (20 ft).

## Termination

The CD-ROM drive and the Zip drive are on the same SCSI chain. Only the last device in a SCSI chain should be terminated. In a typical Kalypso system, the Zip drive should be the last device in the SCSI chain, and therefore the only one terminated. Ensure that the termination switch on the Zip drive is in the On position. Termination on the CD-ROM drive is controlled by a DIP switch, and the drive is typically shipped from the manufacturer with termination on. Check the DIP switches on the CD-ROM drive and move switch two to the Off position, if necessary (refer to [Figure 104](#)).

Figure 104. CDROM and Zip Drive Settings



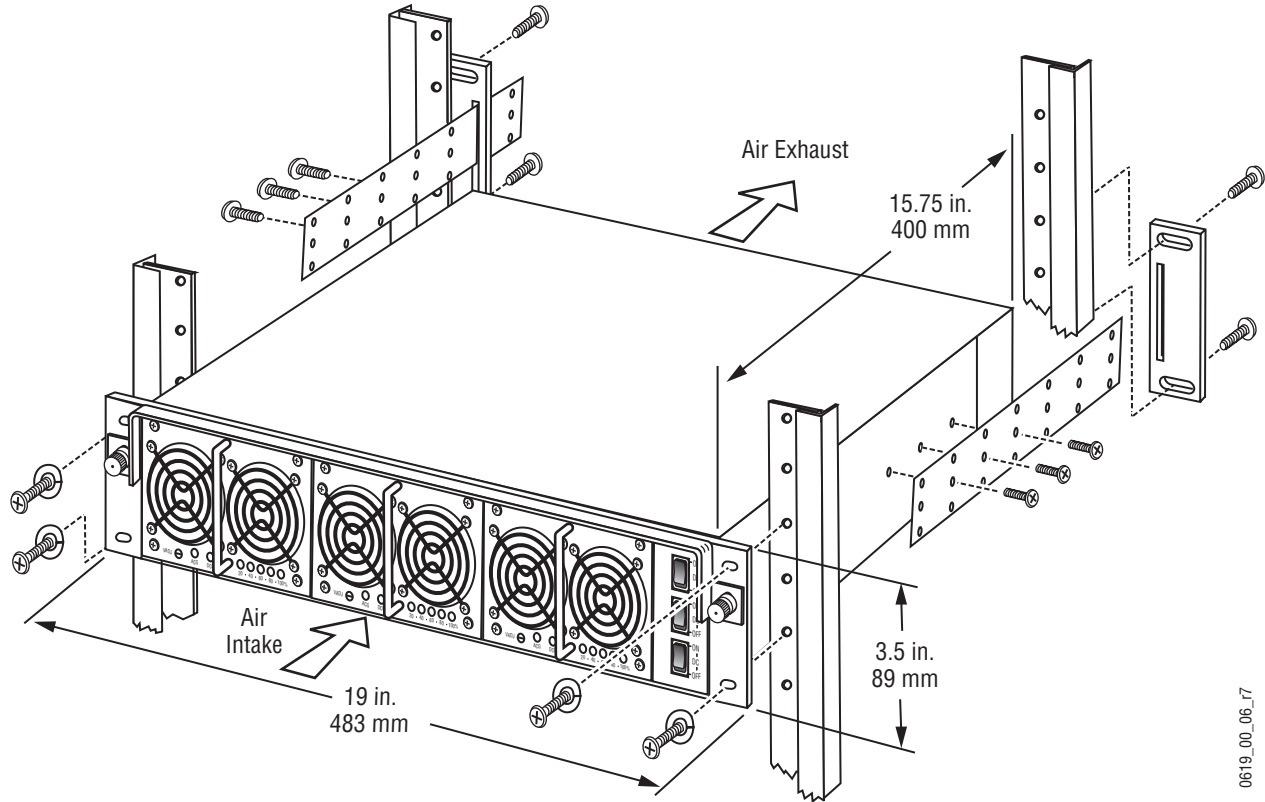
## SCSI ID

SCSI devices cannot share the same ID address. Check the SCSI addresses of the CD-ROM and Zip drives and ensure that they differ from each other ([Figure 104](#)). Any available ID address except zero is acceptable for either drive (zero is the address of the computer to which the SCSI chain is attached).

## Original Kalypso Video Processor Power Supply Installation

The Kalypso Video Processor Power Supply is rack-mountable, occupying 2 rack units (Figure 105). It is separate from the Video Processor and has its own cooling fans.

Figure 105. Original Video Processor Power Supply Installation



The power supply can contain up to three slide-in modules rated at 1000 watts each. Two power supply modules are required to run the system. An optional third module may be added to provide redundant power. With three modules installed, one module can fail without causing system failure. Modules are hot-swappable and current sharing. It is recommended that each module's AC input be connected to a separate AC supply circuit. Any module(s) for which a separate supply circuit is not available should be connected to a UPS.

**WARNING** A blank module must be installed in the empty slot any time the power supply frame is not fully populated with three power modules.

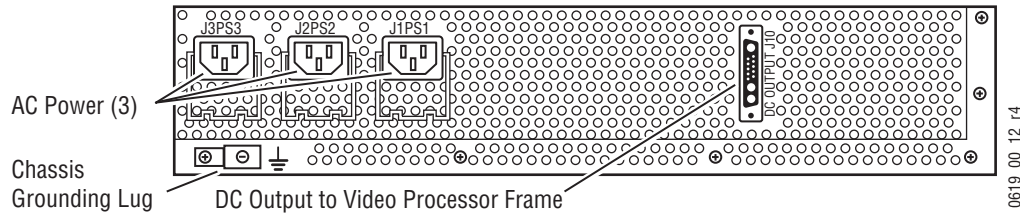
Every Kalypso power supply is shipped with one blank module to fill an empty slot, regardless of whether two or three power modules are ordered.

All power connections are located at the rear of the power supply (Figure 106). Each Power Supply module has its own On/Off switch, and a master switch on the frame fan/plenum assembly controls power to the



entire Video Processor Power Supply, as well as the fan itself. An included one meter (3.28 ft) interconnecting DC power cable allows the Video Processor Power Supply to be installed either above or below the Video Processor frame.

Figure 106. Original Video Processor Power Supply Rear View



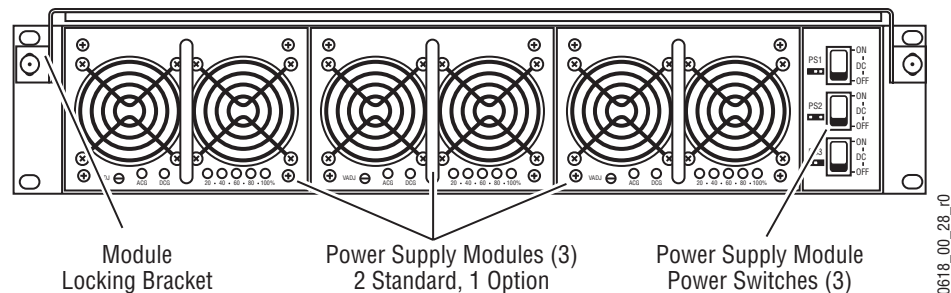
## Video Processor Redundant Power Supply Installation

A blank module is installed in the empty slot in which the third module will be installed. The blank module must remain in place until the redundant power supply module is installed.

### To Install a Redundant Power Supply:

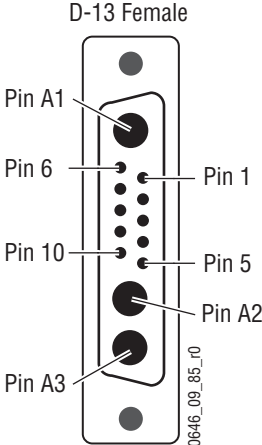
1. Ensure that the power switch is in the Off position for the slot currently occupied by the blank module.
2. Remove the Module Locking Bracket (refer to [Figure 107](#)).
3. Remove the blank module.
4. Insert the redundant Power Supply module and ensure that it is properly seated in its slot.
5. Replace the Module Locking Bracket.
6. Connect the AC line cord and move the module's power switch to On.

Figure 107. Original Video Processor Power Supply Front View



## Video Processor Power Supply Pinouts

Table 11. DC Power Output Connector

DC Output - J10	Pin	Function
	A1	48+ Volts Main
	A2	48- Volts Main
	A3	Chassis Ground
	1	Power Module #1 not present if open. Connect to pin 10 if installed.
	2	Power Module #2 not present if open. See pin 1.
	3	Power Module #3 not present if open. See pin 1.
	4	Power Module #1 DC fail output. Low if DC OK. High or open if DC failed, front panel switch off, or module absent.
	5	Power Module #2 DC fail output. See pin 4.
	6	Power Module #3 DC fail output. See pin 4.
	7	DC Disable Input. Open circuit disables all power modules. Connected to thermostat that opens at high temperature. DC power enabled when connected to pin 10.
8	Unassigned	
9	Unassigned	
10	Common. Return path for control signals. Connected to chassis via load wiring	

# Configuration

## Introduction

This section provides system configuration information for the Kalypso Video Production Center. Refer to the latest *Kalypso Release Notes* for information specific to your current software version.

## Configuration Steps

Kalypso system configuration includes the following basic steps:

1. Power up the system,
2. Set IP addresses,
3. Define and save Engineering Setups, which can involve configuring external interfaces, and
4. Define and save Daily Setups, which includes defining Suite and User preferences.

Panel adjustments generally are not required, but may be necessary on some systems. The latest software is pre-installed at the factory.

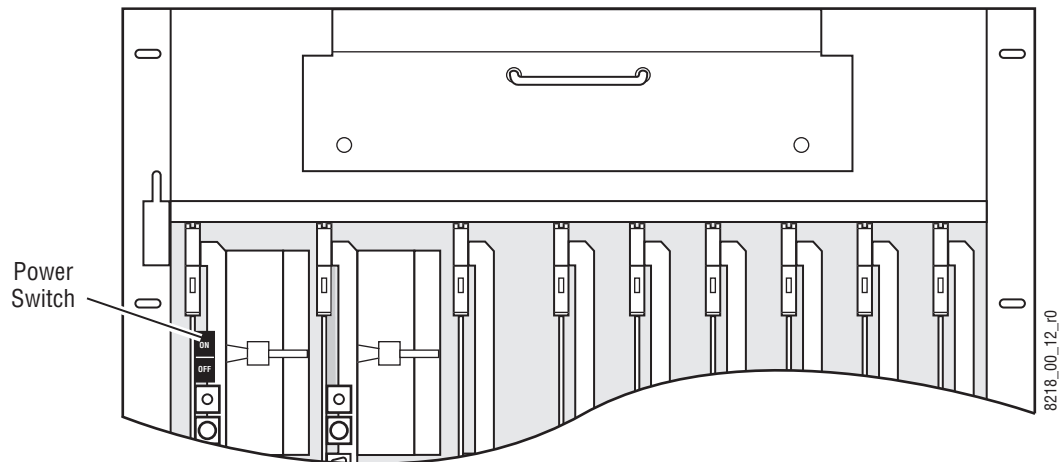
## System Power Up and Initialization

The Kalypso Video Processor power supply, Video Processor frame, and Main panel must be powered up for full system operation. The Menu panel and (on 4-M/E systems) the Local Aux panel receive their primary power from the Main panel.

1. For the Video Processor frame and power supply frame, set the power switch on the Video Processor Control Board to On. ([Figure 108](#)).

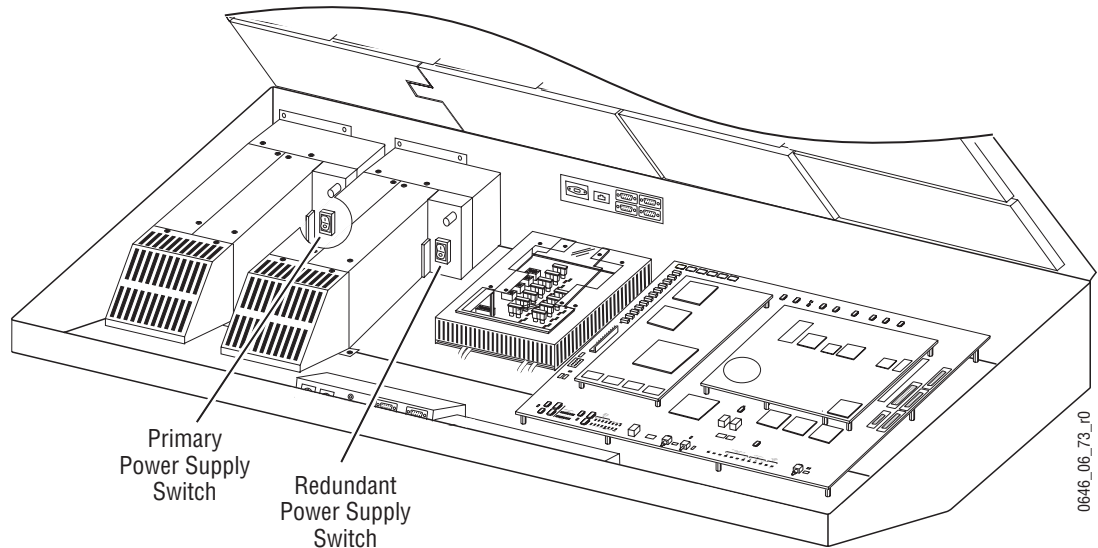
2. Set the power switch(es) in the Main panel tub enclosure to On. (Figure 109).

Figure 108. Video Processor Frame, Front View, Door Open



**CAUTION** The front door of the Kalypso Video Processor frame must remain closed during normal system operation for proper cooling airflow.

Figure 109. Main Panel, Lid Open



## Power and Initialization Indications

Power to the system is indicated by operation of the fans in the Main panel, frame and power supply, and a green LED blinks on each M/E module in the Video Processor frame.

When the Kalypso system powers up or is reset, the first portions of the system activated are the PGM PST buses, transition, and keying controls.

This permits rapid on-air recovery of basic system operations. Sources can be cut, mixed, and wiped, and keys placed taken on and off air while the rest of the system initializes. The Menu panel system is the last item to initialize after system power up. The first screen displays the Grass Valley logo and the menu software version, and then the entire system is fully operational.

The software version is displayed on the Versions menu. Touch **Status & Diags** to access this menu (Figure 110).

Figure 110. Software Versions



## IP Addresses

Each device connected to any Ethernet network must have a unique IP address. An IP address has two components: the network address and the node address. The Subnet mask defines the dividing line between the two. The first three octets of Subnet mask provide the network address; the fourth is the node address. Nodes with the same network address can communicate directly with each other, while nodes with different network addresses normally do not communicate directly.

The Kalypso system actually has three Ethernet nodes for panel and frame communications (Facility LAN, Still Store LAN, and Panel LAN). The Facility LAN is used for all system communications. The Still Store LAN is used only with the Kalypso SuperStill option. The Panel LAN is not currently used, but an IP address for it is still required.

The Kalypso system is designed to use a central Ethernet switch. The switch provides isolation between port pairs, providing deterministic communication for panel and frame messaging, and also allows Main panel and Menu panel communication for DPOPs. The Kalypso HD frame has a built-in 8 port switch that can be used for this purpose. All nodes (except the Panel LAN) must also have the same network address and be given a different node address. The Panel LAN is given a different network address by default.

The Kalypso system default configuration includes IP addresses designed for standalone plug-and-play installation ([Table 12 on page 135](#)). The default configuration allows Kalypso components to communicate with one another but not with other devices in your facility (see the following section).

### Connecting to an Existing Network

Connecting the Kalypso Ethernet LAN to your facility Ethernet backbone, or adding additional Kalypso components — such as Remote Aux panels, additional panels or frames — requires additional network configuration. To enable communication between Kalypso and other facility devices, you will need to change the Kalypso system default network addresses to match the facility address, or place a router between Kalypso and the facility network. This complexity of network configuration is beyond the scope of this manual. Consult a networking expert if such networking is desired.

### Default IP Addresses

The Kalypso Video Production Center is shipped with default IP addresses ([Table 12](#)). Grass Valley has chosen these default IP addresses to make

Kalypso configuration easy. Numbers were chosen to work with Profile VDRs in a default network configuration:

Table 12. Default IP Addresses

Device	IP Address
Video Processor frame	192.168.0.20 (Facility LAN)
	192.168.1.21 (Panel LAN, not used in 7.6)
	192.168.0.22 (Still Store)
Main panel (4-M/E and 2-M/E)	192.168.0.26
Main panel (1-M/E)	192.168.0.36
Menu panel	192.168.0.25
Additional Touch Screen Display	(undefined)
Local Aux panel	192.168.0.27
32 Crosspoint Remote Aux panels (when hard reset with the front panel buttons)	For V0.0.2a Software: IP Address: 192.168.0.250 Frame IP: 192.168.0.251 Gateway IP: 192.168.0.1 Subnet Mask 255.0.0.0,
	For V1.6.5 Software: IP Address: 192.168.1.2 Frame IP: 192.168.1.1 Gateway IP: 192.168.1.1 Subnet Mask 255.255.255.0,
Note that 32-Crosspoint Remote Aux panel default IP addresses must be changed to operate with a Kalypso system whose other components are configured with default IP addresses.	
All Subnet Masks (except V0.0.2a software Remote Aux panel)	255.255.255.0
All Gateways (except V1.6.5 software Remote Aux panel)	192.168.0.1

Configuration for additional Kalypso components simply adds 10 to the node address. For example, the second Menu panel would have an address of 192.168.0.35.

If the default network configuration does not fit your existing Ethernet configuration, make sure all nodes have unique node addresses and are placed on the appropriate network. If other devices are present on the network, ensure that each device has a unique IP address. If more than one Kalypso system resides on the same network, the IP address of each additional Kalypso system device must be changed before it is connected to the network.

See your network System Administrator before connecting the Kalypso system to an existing network or making any IP address changes. The IP addresses (including any Subnet mask) of all the Kalypso devices on the network must be known before any changes are made.

## Profile/OmniBus

If you will be installing the Machine Control option (OmniBus) database file, a default Profile VDR IP address (192.168.0.10) and “Profile 1” name is configured automatically when the OmniBus software is loaded. The Profile used with the Kalypso system needs to be configured with this default address. Otherwise, the OmniBus system configuration will need to be changed. OmniBus configuration procedures are outside the scope of this document.

## Changing Video Processor IP Address

The Video Processor IP address can be changed two different ways, using either a network connection and Web browser, or using a serial port and terminal.

### Network Web Browser Method

You need to know the current IP address of the Video Processor frame before you can change it using a Web browser.

1. Using any web browser connected to your Kalypso network, enter the Video Processor frame IP address in the address field and press **Enter**.
2. Click on Frame Network Addresses ([Figure 111](#)).

Figure 111. Frame Network Address Web Page

**Kalypso Web Access**

[Software Versions](#)

[Frame Status](#)

[Frame Message Log](#)

[Frame Network Addresses](#)

[Frame Date and Time](#)

[Stillstore](#)

[RT Panel](#)

### Frame Network Addresses

**Facility LAN**

IP Address :

Subnet Mask :

Gateway IP :

**Still Store LAN**

IP Address :

Subnet Mask :

Gateway IP :

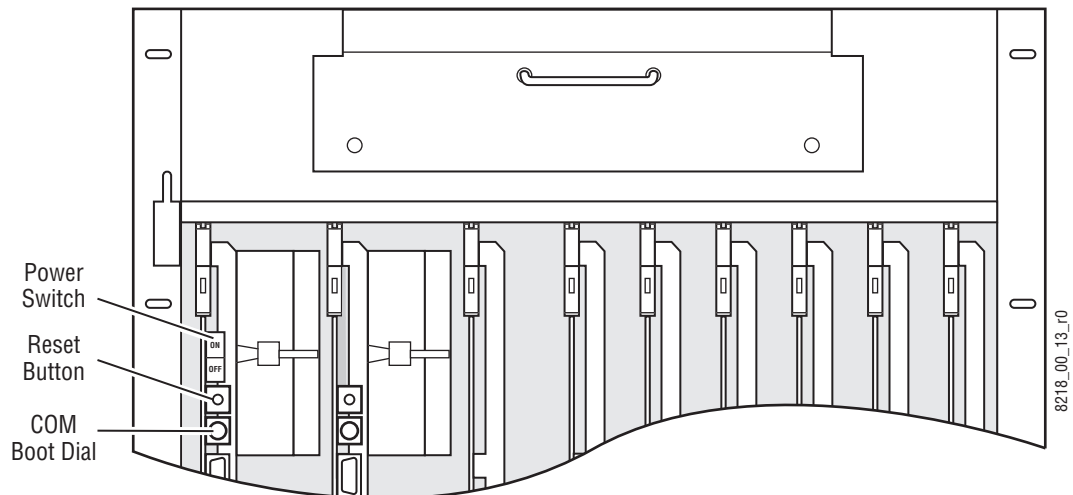
Note: After changing IP addresses, you must reboot the frame for them to take effect  
**Caution:** Changing a network addresses to an incorrect value may render the system inoperable



**CAUTION** Do not change any existing valid IP addresses. Doing so can interrupt communications and make devices fail to operate.

3. Under Facility LAN, type in the new IP address (and subnet mask and gateway if needed). Make sure you enter the correct number exactly. A typing error can make the frame inaccessible over the network, since you need to know its IP address for use with the Web browser. If you make a mistake, you can use the Serial Port and Terminal method to view the existing IP address and change it to the correct value.
4. The Still Store IP address can also be changed from this menu, if necessary.
5. Click on the **Save New Settings** button.
6. Reset the Video Processor frame by pressing the **Reset** button on the Control Processor module (Figure 112).

Figure 112. Control Module Reset Button and COM Boot Dial Switch



The Video Processor frame will boot up with the new IP address. Communications will no longer occur with any Kalypso system devices that are configured to use the old Video Processor frame IP address. You will need to go to each device and change the address they use to communicate with the Video Processor frame.

## Serial Port and Terminal Method

The default IP address of the Kalypso Video Processor can be viewed or changed using a serial connection (a null modem cable) to a terminal or Windows PC running a terminal emulator program such as Hyperter-

minal. A small Philips screwdriver may be used to change dial switch settings.

1. Connect a terminal or a Windows PC running an emulator such as HyperTerminal to the Diagnostic Port on the rear panel (Figure 44 on page 65).
2. Set the terminal to the values in Table 13.

Table 13. Serial Control Settings

Baud Rate	38.4 kbps
Data Bits	8
Parity	None
Stop Bits	1
Flow Control	None

3. Set the Control module COM Boot dial switch (Figure 112 on page 137) to 1 (one), which is necessary for boot operations like setting IP addresses. The default 0 (zero) setting is used for normal software updates and system operation. An edge mark and slot on the dial indicates the current number setting.
4. Press the Control module Reset button (Figure 112 on page 137). If communicating properly, the terminal displays a menu of options selectable by letter (Table 14).

Table 14. Diagnostics Options

Letter	Action
a	View current IP Settings
f	Set Facility LAN IP address
p	Set Panel LAN IP address
s	Set Still Store IP address

5. Enter **a** to view the current address and **f** to type in the new Facility LAN IP address. If an error is made, do not backspace to correct. Instead, press **Enter** and retype the correct address. The Panel LAN (not currently available) and Still Store LAN may also need to be changed if their addresses conflict with any other devices on the network.

**CAUTION** Once you have set an address you must finish the process, otherwise default addresses will be used.

6. Set the Control module COM Boot dial switch back to 0 (zero).
7. Press the Control module Reset button to reset the Video Processor frame. After initialization, blinking green LEDs on the M/E modules indicate normal operation.

## Video Processor Frame Temporary Default IP Address

A Kalypso Video Processor frame can temporarily operate with default IP addresses using the frame's COM Boot dial 2 switch setting. This mechanism is useful if you have lost track of the frame's IP address and use a Web browser to set it. You need to know the frame IP address to access it with the Web browser before you can change the address with the Web browser.

### To Temporarily Set the Frame to Default IP Addresses:

1. Isolate the Kalypso Video Processor frame from the network by disconnecting its Ethernet cable from the Ethernet switch.
2. Set the Video Processor frame COM Boot dial switch to **2**.
3. Press the frame reset button. The resulting frame IP addresses are shown in [Table 15](#):

Table 15. Default Video Processor Frame IP Addresses After Reset

Facility LAN	192.168.0.20
Subnet Mask	255.255.255.0
Gateway	192.168.0.1

**Note** These addresses are used temporarily and do not change the addresses saved to EEPROM. IP Addresses for the Panel LAN and Still Store option (if present) are not affected by this default reset.

### To Change the IP Addresses from the Temporary Defaults:

The procedure above makes the frame accessible from a web browser using the default IP addresses temporarily set with the procedure above.

1. Configure a PC to be a unique node on the Kalypso's default network. The PC must have access to the frame. This normally means that it needs an IP address in the range of 192.168.0.2 to 192.168.0.254 but excluding 192.168.0.20 (the frame's IP default address).
2. Connect the PC directly to the Kalypso Video Processor frame Ethernet port via a crossover cable, or connect via an isolated switch or hub.
3. Launch a web browser and enter the frame's default IP address of **192.168.0.20**.
4. Change the Video Processor frame and Still Store IP addresses, subnet mask, and/or gateway to the desired settings using the web browser.
5. Set the Video Processor frame COM Boot dial switch back to **0** and reset the frame. The new IP addresses you entered will take effect.
6. Disconnect the PC and reconnect the Kalypso Video Processor frame to the network.

The Video Processor frame IP addresses should be changed to match the settings used by the other Kalypso system devices on the network. If the other devices are not configured to use these IP addresses, the system will not operate. To operate the Kalypso system with different Video Processor frame IP addresses you need to change the settings on all the other components to match the new frame IP addresses.

**Note** The Kalypso HD/Duo Still Store cannot have its software updated in frame boot position 1 or 2. If a Kalypso HD/Duo frame software update is required in either of these boot positions, uncheck the Still Store box, update the frame software, reboot the frame in position 0, run the installer, check only the Still Store box, and then install its software (the “install current” option can be used to save time). This does not apply to Kalypso Classic systems.

## Changing 4-M/E and 2-M/E Main Panel IP Address

The IP address settings for the 4-M/E and 2-M/E Main panel can be changed directly on the panel without a terminal.

1. Press and hold down the **Unshift**, **Shift**, **Near Side**, and **Far Side** buttons on M/E 1 for about five seconds. This disables all normal panel operations and brings up a Top Menu display on PGM PST with lighted source buttons labeled **IP Config**, **Dsply Adj**, **Calibrate**, and **Exit**.
2. Press the **IP Config** button to place the Main panel in IP address mode. In this mode, the last three source buttons on PGM PST go high tally and the source name displays for these buttons read **NEXT IP**, **SAVE EXIT**, and **EXIT ONLY**.
3. Press the **NEXT IP** button. The PGM PST source name displays show the actual address for the Main panel. The information may come up slowly, so allow time for it to complete. If the address is correct, press **NEXT IP** to continue. To change the address, press the lighted source button above each digit to increment up, or press the button below the digit to increment down. Pressing a button changes its value by one. Pressing a button repeatedly cycles through all its values. After setting the proper address, press **NEXT IP**.
4. An address for the Video Processor frame displays next. This is the address the Main panel uses to connect to the frame. The displayed setting must match the actual setting of the frame.

**Note** Changing the displayed setting does not change the actual Video Processor frame IP address. To change the frame IP address, perform the instructions in *Changing Video Processor IP Address* [on page 136](#).

When the address is correct, press **NEXT IP**.

5. An address for the Menu panel displays next. Like the Video Processor frame address, changing this setting does not change the Menu panel address. Set it to match the actual Menu panel IP address. (To change the actual Menu panel address, see *Changing Menu Panel IP Address on page 142.*) When the address is set correctly, press **NEXT IP**
6. An address for Subnet mask address is displayed. Change this setting only if necessary, then press **NEXT IP**.
7. With all the addresses correct, press the **SAVE Exit** button to save the values and return to the Top Menu. Pressing **Exit ONLY** returns to the Top Menu without changing any of the addresses.

**Note** If you only needed to change IP addresses, press **Exit** to exit the Top Menu. The Main panel automatically reboots and then returns to normal operation.

## Changing 1-M/E Main Panel IP Addresses

If you are adding a 1-M/E Main panel to an existing Kalypso system that is using factory default addresses, you will not need to change the default IP addresses on the 1-M/E Main panel.

If you will be using an Additional Touch Screen Display (or a PC running the Kalypso Menu application) with the 1-M/E Main panel, you should set its IP address to match that set on the 1-M/E panel, using standard Windows procedures.

If you are using more than two Main panels on the same Video Processor frame, you will need to set the IP addresses of the additional panels so they do not conflict. One easy way to do this is to increment the last octet IP addresses of each group of new devices by 10.

The 1-M/E Main panel IP addresses can be viewed and set directly on the panel with the following procedure.

1. Press and hold down the **Unshift, Shift, Near Side, and Far Side** Source Select Modifier buttons for about five seconds. This enables hardware configuration mode, disabling normal panel operations. The source name display will read **Top Menu** on the left, with lighted source buttons on the right labeled **IP Config, Dsply Adj, Calibrate, and Exit**. These labeled source buttons are used to select different modes and exit the configuration mode.
2. Press the **IP Config** button to place the panel in IP address mode. IP addresses are displayed on the E-MEM subpanel readout. The source name display shows a n IP address name with instructions on the left. The last three source buttons on the right light and their source name displays read **NEXT IP, SAVE EXIT, and EXIT ONLY**. These source buttons are used to cycle through the different IP addresses, save and exit IP address mode, and exit the mode without saving changes.

3. The first IP address displayed is the actual IP address for 1-M/E panel (the source name display reads **1M/E PNL**). To change this address, enter the IP numbers using the illuminated buttons on the E-MEM keypad using the **Undo/•** button for the octet separator. You can use the **Reverse** button to backspace and erase numbers. The entire address must be entered.
4. When the address is correct, press **NEXT IP** to go to the next address (**FRME**). This is the address the Main panel uses to connect to the Video Processor frame. The displayed setting must match the actual address of the frame.

**Note** Changing a displayed target address setting does not change the actual IP address of the target device.

5. When the address is correct, press **NEXT IP** to go to the next address (**MENU**). This is the target address for an additional Menu panel or PC (if one exists) used with the 1-M/E panel. Set it to match the actual IP address of the additional Menu panel or PC.

**Note** Do NOT set this address to the Menu panel address used by the principle Kalypso 4- or 2-M/E Main panel.

6. Press **NEXT IP** to go to the next address (**SUB NET MASK**). This is the actual address for Subnet mask of the 1-M/E Main panel. The subnet mask should remain at **255.25.5.255.0** unless you are instructed otherwise by your system administrator.
7. Press **NEXT IP** to go to the next address (**GATEWAY**). If you are using a gateway with your Kalypso system set this value to match that address.
8. Press **NEXT IP** repeatedly to cycle through and confirm all the values entered.
9. With all the addresses correct, press the **SAVE Exit** button to save the values and return to the Top Menu. (Pressing **Exit ONLY** returns to the Top Menu without changing any addresses.)
10. Press **Exit** to exit the Top Menu. The Main panel automatically reboots (**PNL RST ING** is displayed), using the new settings if they were saved.

## Changing Menu Panel IP Address

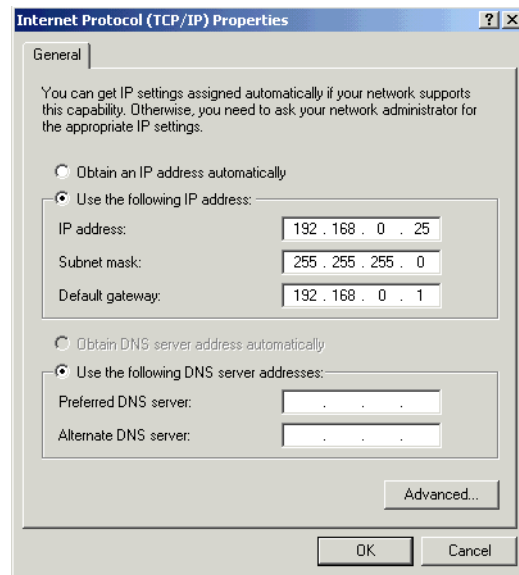
### Enhanced Menu Panel

Set the Enhanced Menu panel IP addresses using the standard Windows XP/2000 interface. You may use the touch screen to access the Windows settings but you will need to use a mouse and keyboard connected to the

Menu panel for entering the IP address values. To set the Menu panel addresses do the following.

1. Go to the following location in Windows XP/2000: **Start\Settings\Network and Dial-up Connections**.
2. Touch the **Local Area Connection** icon to bring up the **Local Area Status Dialog Box**, then press the **Properties** button.
3. Touch the **Internet Protocol (TCP/IP)** line in the list window to bring up the **Internet Protocol (TCP/IP) Properties** dialog box (Figure 113).

Figure 113. Menu Panel IP Addresses



4. In the **IP address** field, enter the Menu panel IP address to conform to the network requirements for your facility.
5. Enter the **Subnet mask** as 255.255.255.0 unless advised otherwise by your system administrator.
6. In the **Default gateway** field, enter the correct IP address for connecting to the external gateway device (refer to *Connecting to an Existing Network on page 134*).
7. Restart XP/Windows 2000 for the changes to take effect and to refresh the internal routing tables with the new values.

## Original Menu Panel

The Menu panel IP address is set using standard Windows NT procedures. IP address controls are located at:

**My Computer\Control Panel\Network\Protocols\TCP/IP Protocol\Properties**

## Other IP Address Entry on Menu Panel

The Frame IP address and Still Store IP address (if present) must also be entered on either the Enhanced or original Menu panel, so the Menu panel knows which nodes to communicate with. To enter the Frame address on the Menu panel:

1. Run the Kalypso Menu application.
2. Press the **Eng Setup** menu selection button.
3. Touch the **System** category selection button, then touch the **Suite-Def** button.
4. Touch the **Frame IP Address** touch pad, and enter the Frame IP address.
5. If the Still Store option is installed, touch the **SStore IP Address** touch pad and enter its IP address.
6. Touch the **Save Load** category selection button, and save the configuration to disk.

**Note** Refer to *Configure Control Surfaces on page 196* for information about setting up Kalypso Nodes for Resource Sharing.

## Changing Local Aux Panel IP Address

The procedure to change Local Aux panel IP address settings is the same as that used on the Main panel. On the Local Aux panel, hold down the **Unshift**, **Shift**, **Near Side**, and **Far Side** buttons on the upper Bus #1. The Top Menu displays on the lower Bus #2. The first IP address displayed is the actual address of the Local Aux panel. The Video Processor frame, Menu panel, and Subnet mask address settings are displayed in that order. Display lighting adjustments are also available, but no lever arm or joystick calibration is available since they do not exist on the Local Aux panel.

The same procedure is also used for the Local Aux subpanel built into the 2-M/E Main panel.

## Setting Still Store Option IP Address

The Still Store IP address actually resides in and is managed by the Kalypso frame. On standard Kalypso systems this IP address will probably not need to be changed. The Still Store IP address can be changed using the same procedures used to change the Kalypso Video Processor frame address. See *Changing Video Processor IP Address on page 136*.



## Setting 32-Crosspoint Remote Aux Panel IP Address

The 32-Crosspoint Remote Aux panels communicate with other Kalypso devices over the Menu (Facility) LAN. The 24-Crosspoint Remote Aux panels use a serial communication connection and do not require an IP address.

The default IP addresses of 32-Crosspoint Remote Aux panels are set to at the factory before shipment will not work with a Kalypso system whose other components are set to defaults. Typically, Kalypso systems are equipped with more than one Remote Aux panel. If more than one 32-Crosspoint Remote Aux panel will be used on your Kalypso system, you will need to change each panels' IP addresses so none are duplicated, and this must be done before you connect them to the network. This will require a mouse and keyboard connected to a PC disconnected from the network.

Check with your network administrator to learn what IP addresses should be used at your facility.

### Default IP Address

The version of software installed on a 32- Crosspoint Remote Aux panel affects its default IP addresses. Earlier version panels (generally shipped before November 2004) had V0.0.2a software, and current version panels have V1.6.5 software. The default IP addresses for these panels are listed in [Table 12 on page 135](#).

The 32-Crosspoint Remote Aux panels can also be updated in the field with software provided on CD. Default IP addresses can also be restored using a procedure described on [page 148](#).

### Setting the IP Address

A PC equipped with an Ethernet interface and a web browser is required to change 32-Crosspoint Remote Aux panel IP addresses.

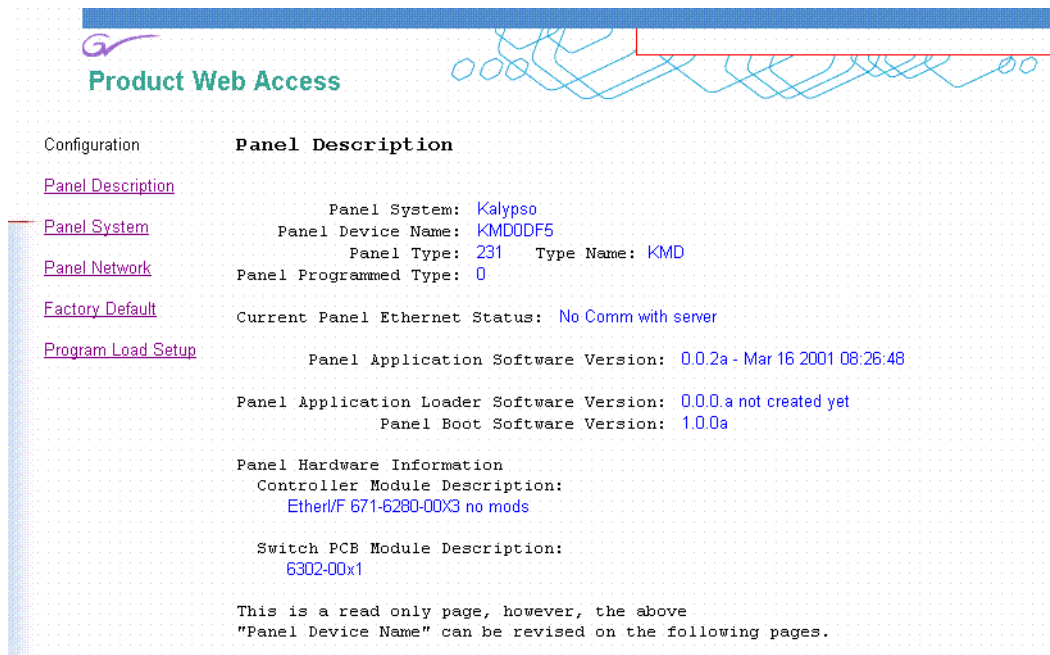
1. With the PC disconnected from all facility networks, connect the PC's Ethernet port directly to the Remote Aux panel.

**Note** A crossover Ethernet cable (Tx/Rx pair crossed) is needed when connecting a PC directly to the Aux panel without a hub intermediary.

2. Start the web browser, enter the default IP address (192.168.0.250) in the address field, and press **Enter**. If the address is found, a Panel Description screen similar to [Figure 114](#) will appear.

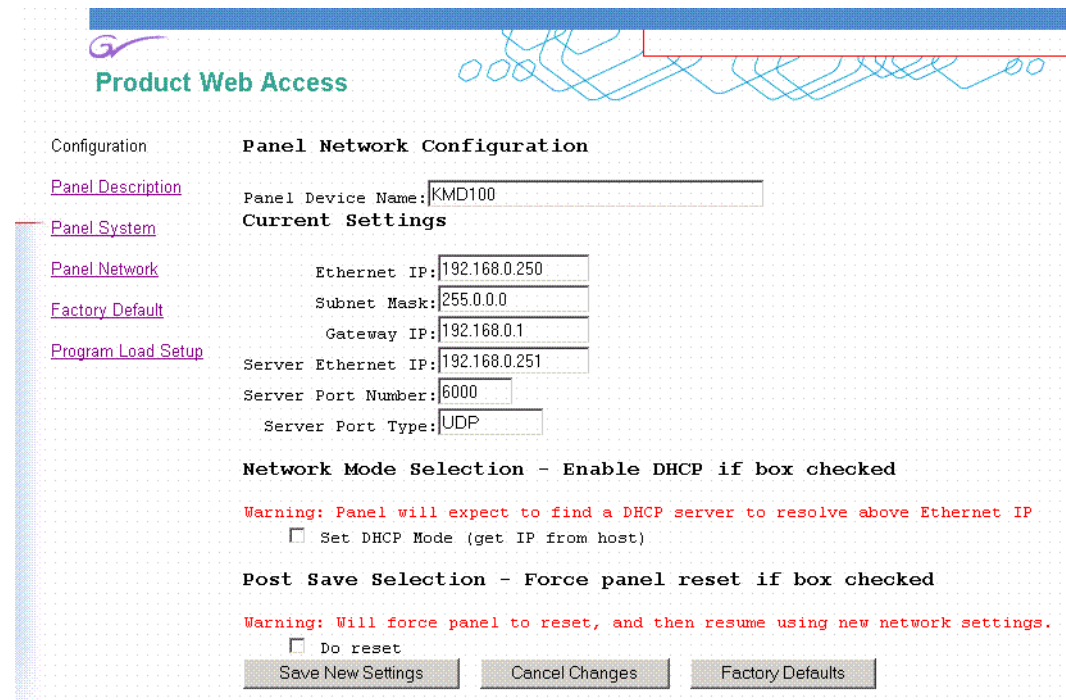
**Note** If the Remote Aux panel address is not found, you may need to reset the panel to its defaults (see [page 148](#)).

Figure 114. Panel Description Screen



3. Click on **Panel Network**. A Panel Network Configuration screen similar to Figure 115 will appear, displaying the factory default settings.

Figure 115. Panel Network Screen, Default Information



4. Enter the IP addresses and other information appropriate for your system.
  - The **Panel Device Name** is used to name the panel, for user convenience. This field does not affect the operation of the unit.
  - The **Server Ethernet IP** field is for the Kalypso Video Processor frame.

**Note** Do not change the Server Port Number or Server Port Type fields. These settings need to remain at their defaults.

5. Settings for the first Remote Aux panel of a Kalypso system using default IP addresses and not using a gateway is shown in [Figure 116](#). The settings you use may need to be different, depending on your network requirements.

Figure 116. Typical Kalypso System Default IP Address Settings

**Product Web Access**

Configuration **Panel Network Configuration**

[Panel Description](#) Panel Device Name:

[Panel System](#) **Current Settings**

[Panel Network](#) Ethernet IP:

[Factory Default](#) Subnet Mask:

[Program Load Setup](#) Gateway IP:

Server Ethernet IP:

Server Port Number:

Server Port Type:

**Network Mode Selection - Enable DHCP if box checked**

Warning: Panel will expect to find a DHCP server to resolve above Ethernet IP

Set DHCP Mode (get IP from host)

**Post Save Selection - Force panel reset if box checked**

Warning: Will force panel to reset, and then resume using new network settings.

Do reset

6. Check the **Do reset** box at the bottom of the screen, then click on **Save New Settings**. The new IP addresses will be saved and the Remote Aux panel will reset. You should label the panel with its IP address and keep a record of all IP addresses for future reference.
7. Disconnect the PC, and connect the Remote Aux panel to the Kalypso system network.
8. Repeat this procedure on all the 32-Crosspoint Remote Aux panels to be used with your Kalypso system, entering a unique IP address for each 32-Crosspoint Remote Aux panel.

See *Remote Aux Panel Configuration on page 166* regarding additional configuration steps required.

## Restoring the Default IP Address

You need to know the current IP address of the 32-Crosspoint Remote Aux panel in order to change it using the Web browser. If a panel's IP address has been changed and its new value not recorded, it will be impossible to change its IP address. You can restore the panel to its factory default address, if necessary, with the following procedure.

1. Disconnect the Ethernet cable and the AC power cable from the Remote Aux panel.
2. Reconnect only the AC power cable. The panel will enter a diagnostic mode.
3. Push down and hold any panel button. After three seconds panel buttons will light up sequentially, indicating different available diagnostics.
4. When three buttons illuminate, release the held button. This places the panel in IP Address reset mode, and one button will be flashing.
5. Press the flashing button. This resets the IP address to factory default (see [Table 12 on page 135](#)).

## Setting Network Addresses Manually

Every Kalypso system component (except the 32-Crosspoint Remote Aux panel) also has a serial RS-232 console port that can be used to set its IP address if problems arise. Connect a terminal to this port and restart the component to set the IP address using the diagnostics menus.

## Gateway IP Address

A gateway IP address can be entered to allow communication with devices not located on the local Kalypso system network. Communication outside the local network requires using a configured network gateway server, a description of which is beyond the scope of this document. See your network administrator for information about gateway server installation and configuration.

## Setting Gateway IP Addresses

### Video Processor Frame Gateway via Web Page

Use the procedure described earlier (*Network Web Browser Method on page 136*) using a web browser. A field is available for entering the Gateway IP address.

### Video Processor Frame Gateway via Serial Port

Use the procedure described earlier (*Serial Port and Terminal Method on page 137*); connecting and configuring a terminal to the serial port, setting the boot dial switch to 1, and then navigating through the diagnostics hierarchy. A field is available for entering the Gateway IP address.

### Main Panel, Local Aux Panel Gateways

Follow the normal IP set procedure, using the **Unshift, Shift, Near Side, Far Side** buttons. An additional Gate Way Adr prompt appears after Subnet Mask, at which you enter the IP address of the gateway server.

### 32-Crosspoint Remote Aux Panel Gateway

Follow the normal IP set procedure and enter the Gateway IP address in the field provided. See *Setting the IP Address on page 145* for information on setting Remote Aux panel IP addresses.

### Menu Panel Gateway

Follow the normal IP set procedure for your model Menu panel (*Enhanced Menu Panel on page 142* or *Original Menu Panel on page 143*) adding the Gateway address in the field provided.

## Engineering Setups

Kalypso inputs and outputs are connected to the rear of the Video Processor frame. These video signals need to be configured to your facility's requirements. Engineering Setups define Kalypso system components and describe how Kalypso is cabled into a facility. Engineering setups are intended to be used and maintained by technical staff. Engineering setups are designed to be set once and seldom changed, unless the facility changes in some way (new devices installed, signals rerouted, etc.). Engineering setups may be loaded and saved to disk. Security provisions are also available.

## Engineer Login and Security

Kalypso system security features can be used to control changes to the Eng Setups parameters. Though the ability to change these engineering settings can be restricted, the Daily Setups User and Suite Prefs settings regularly used by production personnel remain completely available. In particular, the Source Patch feature allows users to rename sources and even repatch existing sources without requiring permission from the Engineer In Charge (EIC). The Eng Setups menus also remain accessible for viewing the settings even when making changes to the settings has been restricted.

The EIC needs to decide whether or not engineering setup changes should be restricted, which may depend on the TD using the system. The EIC may choose to activate the restriction to prevent novice TDs from accidentally making engineering changes that negatively impact Kalypso system integration with the rest of the facility. The EIC may also choose to remove the restriction for more skilled TDs, especially during setup for a mobile event when the EIC is busy with other duties.

### Security Account Setup

Password mediated access can be setup using the Security Account Setup menu, accessed by touching **Eng Setups, System, Security** (Figure 117).

Figure 117. Security Account Setup Menu



**Note** Even if you do not wish to restrict Eng Setup changes, you should enter a password and store it in a safe place to prevent accidental lockout.

1. You must first login as the EIC before you can activate restricted access or change the password (see *EIC Login on page 151*).
2. Touch the **Set Password** data pad to open a popup keyboard and enter the password.
3. If you want to require entry of the password to make Eng Setup changes, touch the **Restrict Eng Setup Changes** button so the indicator illuminates to activate the security function.

**CAUTION** Once a password has been set and the security feature activated, password access remains in force indefinitely and can only be changed using that password. Resetting the Kalypso system, loading a new configuration file, and/or clearing NV Memory does not affect the security settings. Should the password be misplaced, forgotten, or changed by mistake, contact Grass Valley Customer Service for assistance.

## EIC Login

A login procedure is required before any changes to Eng Setups parameters can be made. Each login session has a pre-determined time-out, at which time the system reinstates the Eng Setups change restriction. No password is needed by default to login and make changes. A separate security feature can be activated that requires entry of a password before Eng Setups changes can be made. This restriction also applies to loading Eng Setup configuration files.

By default, changes cannot be made to any Eng Setup configuration settings. An **EIC not logged on - changes ignored** message appears in the notification area at the top of each Eng Setups menu if you are not logged in. You can still access all the menus and view the settings, but attempts to change them posts an **ACCESS DENIED** message. To make changes, you must login as the EIC. Login is accomplished using the EIC Login menu, accessed by touching **Daily Setups, EIC Login**. Different EIC Login menus appear,

depending on the system operating mode. Single Suite mode Kalypso systems use the menu in [Figure 118](#).

Figure 118. EIC Menu, Logged Out



An Identity pane appears on the EIC Login menu when Multi Suite mode is in operation ([Figure 119](#)). After a system has been configured for Multi Suite operation you will generally want to use the default Identity setting.



See *Login to Another Control Surface or Suite* on page 202 for more information about Multi Suite logins.

Figure 119. EIC Login Menu Logged On



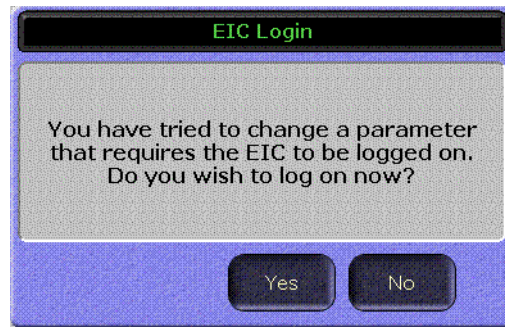
1. Use the soft knob or touch the Login Time data pad and enter a time duration for the EIC session. If no time is entered a default time of 60 minutes will be used.
2. Touch the **Login** button.
  - a. If password security has not been activated you are immediately logged in and can modify the Eng Setups parameters for the specified time.
  - b. If password security is active, a popup keypad appears into which you can enter the password. After the correct password is entered you will be logged in and can make changes for the specified time.

After logging in, an **EIC login active - changes allowed** message appears when you access an Eng Setup menu.

## EIC Login Shortcut

If while in an Engineering Setup menu you attempt to make a change when not logged in as the EIC, the EIC login popup appears (Figure 120), allowing you to login without having to navigate to the Daily Setups EIC login menu.

Figure 120. EIC Login Popup Screen



## Wait Time for NV Memory Update

Kalypso system NV memory is automatically updated on a regular basis, and NV memory is automatically loaded when the Video Processor frame is reset or rebooted.

**Note** After making any configuration changes, wait at least 3 minutes before rebooting the Video Processor frame. This time is needed to ensure NV memory is updated with the changed values.

When configuration changes are made (Engineering Setups, Suite Prefs, User Prefs) these changes immediately affect Kalypso system operation, but the settings are not immediately transferred to NV memory. The changes are sent at the next regular NV memory update. This causes a short time lag from when configuration changes are made in a menu and when they are available for use during a frame reset. Waiting three minutes before resetting the frame allows time for two updates, and helps ensure the data is sent to the frame that the menu is communicating with.

**Note** After changing between HD and SD operation or between Single and Multi Suite modes a Video Processor frame reset is required. For these two configuration changes you do not need to wait three minutes before resetting, provided the system has been in operation for at least three minutes after bootup to allow NV Memory saves to be enabled.

## Source Definition

The source definition tells the system which physical inputs or internal signals to use when a particular source is selected. The source definition, denoted by a source ID number, specifies how to process a signal, and what external devices, if any, are associated with that source. Each Kalypso Video Processor frame has one source definition set. Source definition defines what signals comprise each source. The default Source Select button defini-

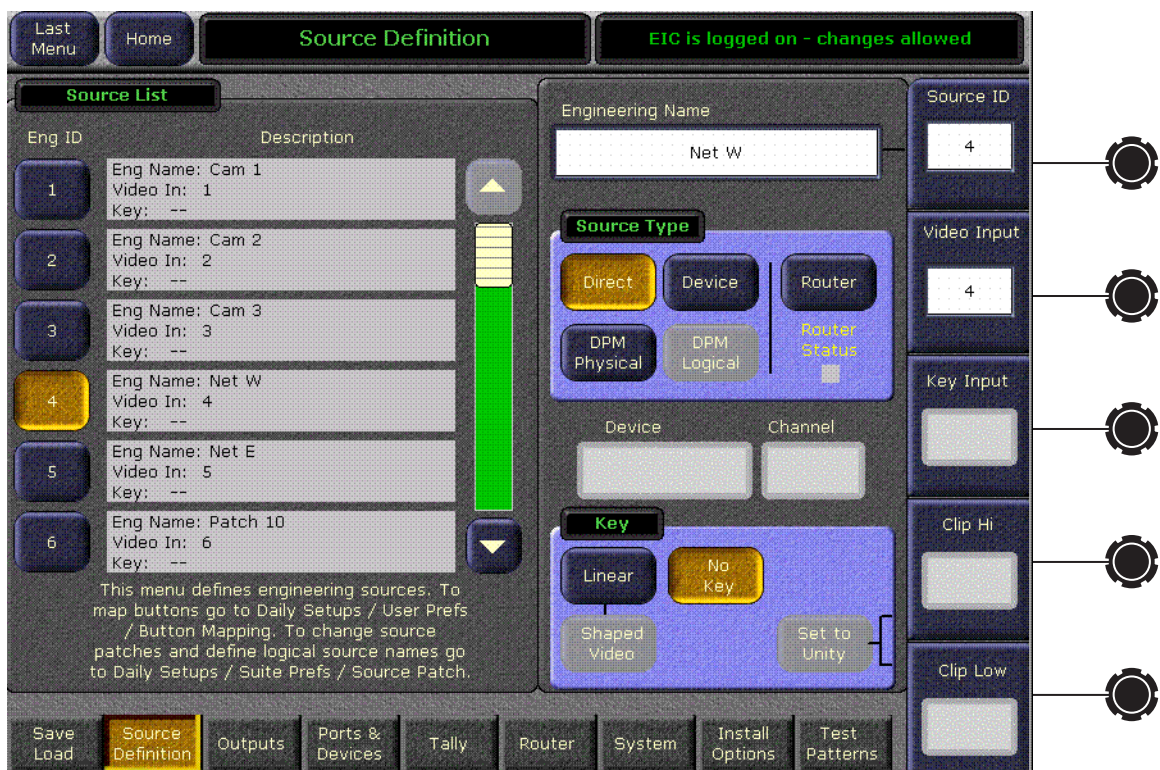
tions are listed in [Table 16](#). These defaults are configured as video only signals.

Table 16. Default Source Definitions

Source ID	Video Input	Key Input	Name	Type	Key
1-15	Inputs 1-15 (standard)	Inputs 1-15	(blank)	Direct	None
16-90	Inputs 16- 0 (optional groups of 15)	Inputs 16-90			
91-92	Input 1	Input 1			
93-116	Internal M/Es, PGM PST outputs (various)		(various)		
117	Internal Test		Test		
118	Internal Black		Blk		
119-120	Internal Bkgd 1, 2		Bg 1, Bg 2		
121-128	Internal Still Store		SS 1 ... SS 8		

The Eng Setup - Sources menu is used to change source definitions. Press the **Eng Setups** button, then touch the **Sources** button to display the menu ([Figure 121](#)).

Figure 121. Eng Setup - Sources Menu



## Direct Source Definition

### To Change Direct Source Definitions:

1. Touch the button of the desired Source ID located on left side of the screen (it is a vertical scrolling list).
2. Touch the **Engineering Name** data pad to name the source using the pop up alphanumeric keypad or standard keyboard (see *Naming Guidelines on page 157* for more information).
3. Touch the **Video Input** data pad to enter or scroll to the input number of the connector the source will use for video. The change is immediate and can be viewed on a connected monitor.
4. If the source includes a key signal, select **Linear** key with the lower touch buttons. Then touch the **Key Input** data pad and enter to the input number of the connector the source will use for the key.

**Note** For Chroma keys you can select either **Linear** or **No Key**. Chroma keys always use the video signal for keying, ignoring any separate key signal.

5. If desired, define Clip Hi and Clip Lo values (used when a fixed linear key is selected for that source) with the labeled soft knobs and data pads.
6. Exit the menu by touching the menu name located at the top of the screen.

## Source Names and Source Patching

Facility engineers need to know the exact routing of all the video signals connecting all the devices they are responsible for. These engineers need to be able to identify video signals in a way that will help them connect devices properly. Production personnel, on the other hand, are interested in the content they work with for their shows, and are generally not concerned about which individual device or routing path is used to make those signals available. They just need a way to identify the content and access it when they need it. To support these differing needs, two source naming mechanisms are available on Kalypso systems; Engineering and Logical.

Engineering names and Engineering IDs are intended to identify a source as it applies to a specific facility. In a truck, for example, cameras may be hard wired to the production switcher and might be given Engineering names 1, 2, and 3. Names like Patch 14 or Rtr 5 may be used for inputs that are patched or routed.

Logical names, Logical nicknames, and Logical IDs (set as a Suite Preference using the Source Patch menu) are intended to identify the use of a source for a particular show. For example, VTRs may be given Blue, Red, and Gold Logical names. DDR channels might be named A, B, and C.

Cameras might be identified by the camera number and each operator's name (which may change from program to program). To support this added level of variability, both Logical names and Logical nicknames can be used to label sources differently for varying conditions.

The Kalypso system provides a way to map Engineering source IDs to Logical source IDs, using the Source Patch feature. By default this mapping is one-to-one, but this feature can be used to quickly set up production elements for use in a different facility. For example, a show's effects, DDR clips, and taped material may have been built in one production truck with one set of devices, but the next show is scheduled for a different truck. Previously, to use effects in the other truck the Technical Director (TD) would need to edit the engineering source definitions in the new truck so they exactly matched the old truck. In some cases six settings would have to be changed, and tally outputs would also need to be repatched. With the Kalypso 7.6 release, by remapping the Engineering sources of the devices in the new truck to the Logical sources used to build the effects, all the effects can be used without having to edit them. Source Patch can also be used to quickly swap out a defective device during a show without having to reconfigure the Engineering sources. In this case Logical names seen by the production personnel would be identical for that content, even though the actual device playing the material changed.

### **Name Display Hierarchy**

Different source names may appear at different locations of the Kalypso system, depending on what names have been defined. The following rules are used to determine which name is displayed:

Only Engineering names or Engineering ID numbers appear in the Eng Setup menus. If an Engineering name has not been entered, the Engineering ID number is displayed on these menus.

Logical names and nicknames can appear on the Main panel, the Local and Remote Aux panels, and on the Menu panel. On M/E and Aux panel Source Name Displays, if a Logical nickname exists, that name for that source will be displayed. Otherwise, if a Logical name exists, that name will be displayed. Otherwise, if an Engineering name exists, that name will be displayed. Otherwise, the Logical ID number will be displayed. For other displays (M/E status and all menus) the above logic is also used, except if both a Logical name and a Logical nickname exists, the Logical name is shown on these displays, and the Logical nickname continues to appear on the Source Name Displays.

### **Naming Guidelines**

It is not necessary to define an Engineering name, Logical name, and Logical nickname for every Kalypso source. It is generally a good practice to create the least number of names possible. This ensures consistency in the various displays and reduces the time needed to enter and edit the names. If you can create short Engineering names that work for both the

production staff and engineering, complete naming consistency is assured. However, this level of simplicity is probably only feasible at a fixed installation where all the shows use the same source names.

The additional naming capabilities available on the Kalypso system can help make everyone's job easier. Operators often require program specific source names, but engineers may need technical names not of any value to the operators. Separate engineering and logical names solves this problem. Operators also may prefer to see short names on the Main panel. They know a particular group of buttons are the cameras, so a number is sufficient. But in other contexts, more descriptive names may be necessary. Separate names and nicknames solves this problem.

Defining Logical names that fit well on the Source Name Displays makes it unnecessary to enter a Logical nickname, simplifying the naming process. However, should you want different information on the Source Name Displays, you can do this by entering both a Logical name and Logical nickname. For example, you may give the cameras Logical names that include the operator (C1 Bob, C2 Phil, and C3 Bill), but remove the operator names to the nicknames so the Source Name Displays show C1, C2, and C3 in larger characters. When both Logical names and nicknames are used, they should be similar to make it easy to recognize they represent the same source.

The Source Name Displays on the Main panel and Aux panels size the text for the best fit. The display can show up to three lines, using large, medium, and small font sizes. A space in a name forces a line break. Single letters and two numbers use the largest font size. Names like Cam 1 or VT 3 split to two lines and use the medium font. In the case of cameras, using only numbers (1, 2, 12) provides the largest size text. Character number and size (capital letters are wider, and W is wider than I) affects the display. For example, CAM 1 and Blue use the smallest font, but C1 and Blu use the medium font. XXXXXX uses two lines, but xxxxxx and IIIIII use only one line. When the Source Name Displays are set to display both shifted and unshifted names, only one line of text is available for each name. If a name overfills its allotted space, the end of the name is truncated. Some experimentation with capitalization and abbreviations may be required for the best fit and readability of names. In general the shorter the name the better.

Source names displayed on Menu buttons will look different from the same names on the Source Name Displays. The menus use only one font size, cannot show three lines of text, and may not show nicknames. The ends of long names are truncated on the menus. Should you define long names with qualifiers at the ends, indistinguishable source names on the menu buttons can result. Check the names on both the Source Name Displays and the Menu buttons as you define them to ensure each one appears unique. While it is possible to define the same name for different sources, this is obviously not recommended as it will cause considerable confusion.

If logical names are limited to numbers, make them the same as the logical ID number and patch them to the appropriate engineering source. This minimizes confusion between the name and the ID number

## Source Patching

Source patching (a Suite Preference) affects which sources are available to an operator, and how these sources are identified on control panels and menus.

**Note** Source Patching is the bridge between engineering sources and logical sources. Both TD and EIC should make reference to this menu when resolving source issues. The mechanism is similar in concept to a physical patch panel. Effects and all source selections are based on logical sources. Tally and associations with external devices are based on engineering sources.

Refer to the separate *Kalypso Reference Manual* and *Kalypso User Manual* for information about source patching.

## External Device Source Definition

The **Router**, **DPM Physical**, **DPM Logical**, and **Device** buttons are used to setup a source as an external device, including GPI and Peripheral Bus II controlled devices. See *Appendix C-External Interfaces* for information on configuring external devices.

## Button Mapping

After sources have been defined they can be mapped to Kalypso system control panel buttons. The Button Mapping menu (accessed by touching **Daily Setups**, **User Prefs**, **Button Mapping**) is used to map the sources associated with each source selection button. Refer to the separate *Kalypso User Manual* for specific button mapping instructions.

Permanently mapped buttons can also be labeled, if desired, using film inserts (see *Button Labeling on page 264*).

## Output Assignments

All Kalypso outputs are programmable. During configuration you determine which signals will be dedicated outputs. All the remaining outputs can be used for Aux buses. Output assignments determine which Kalypso system outputs appear on the output connectors. The output connectors are paired and carry identical signals. Kalypso HD system outputs are associated with M/E modules. This means outputs 25-48 are inactive on 2-M/E systems lacking an M/E 2 and M/E 3. Note that if you move an M/E module from one slot to another, the output connectors of the emptied slot

are deactivated and the numbered output connectors of the newly filled M/E slot are activated.

Kalypso fixed system outputs are listed in [Table 17](#). Switched Preview and Aux bus outputs are also available. Aux buses are also available.

Table 17. Available Fixed Kalypso System Output Sources

Type		Output Source Name			
Pgm Pst and M/E Signals	Program Outputs	(PGM PST) PP A	(M/E 1) M1 A	(M/E 2) M2 A	(M/E 3) M3 A
		PP B	M1 B	M2 B	M3 B
		PP C	M1 C	M2 C	M3 C
		PP D	M1 D	M2 D	M3 D
	Preview of Output A	PP pA	M1 pA	M2 pA	M3 pA
	Preview other Outputs	PP p2	M1 p2	M2 p2	M3 p2
Other Internal Signals	Switched Preview	Sw Pvw			
	Test	Tst			
	Black	Blk			
	Bkgd 1	Bg 1			
	Bkgd 2	Bg 2			
	Still Store Outputs	SS 1 - SS 8			



## Default Output Assignments

The default output assignments of 4-M/E and 2-M/E Kalypso systems are identical and are listed in [Table 18](#). All Kalypso HD systems have PGM/PST and M/E-1 modules standard, and so will have a full compliment of outputs available on first startup. Note that output 24 is the commonly used Switched Preview by default. These default assignments can be changed if desired. Any Kalypso internal or external source can be configured to appear on any output connector.

Table 18. Default Output Assignments

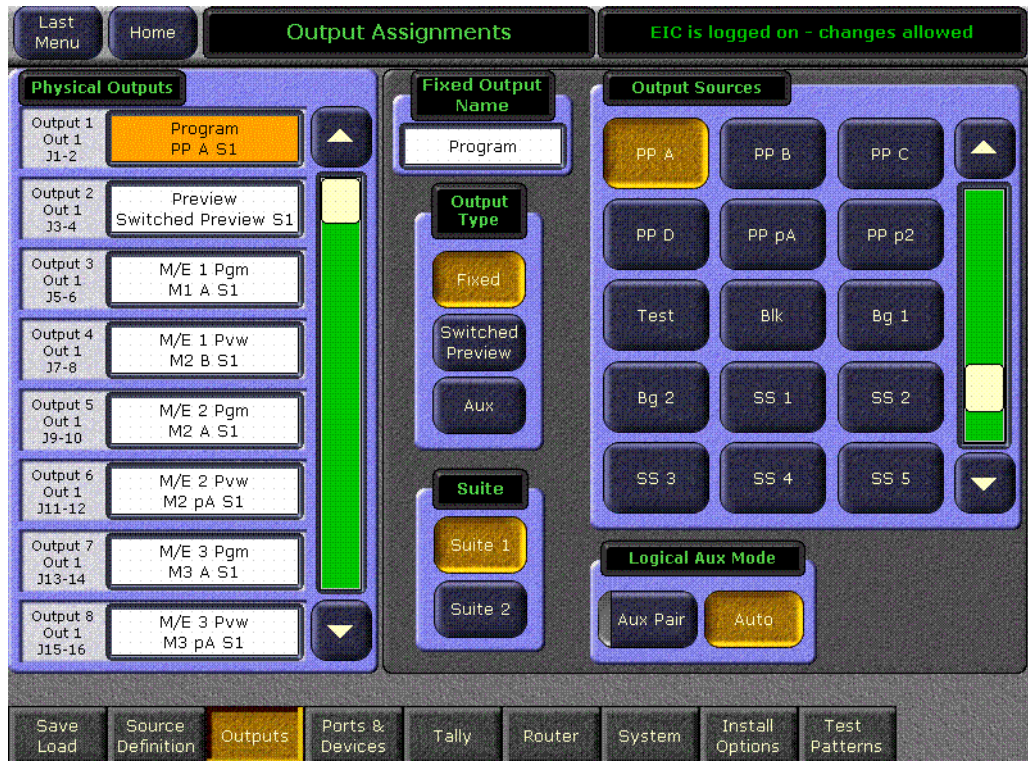
PGM PST		M/E 1		M/E 2 <sup>a</sup>		M/E 3 <sup>a</sup>	
Output #	Signal	Output #	Signal	Output #	Signal	Output #	Signal
1	PP A	13	M1 A	25	M2 A	37	M3 A
2	PP B	14	M1 B	26	M2 B	38	M3 B
3	PP C	15	M1 C	27	M2 C	38	M3 C
4	PP D	16	M1 D	28	M2 D	40	M3 D
5	PP pA	17	M1 pA	29	M2 pA	41	M3 pA
6	PP p2	18	M1 p2	30	M2 p2	42	M3 p2
7	Aux 1A	19	Aux 4A	31	Aux 8	43	Aux 14
8	Aux 1B	20	Aux 4B	32	Aux 9	44	Aux 15
9	Aux 2A	21	Aux 5	33	Aux 10	45	Aux 16
10	Aux 2B	22	Aux 6	34	Aux 11	46	Aux 17
11	Aux 3A	23	Aux 7	35	Aux 12	47	Aux 18
12	Aux 3B	24	Sw Pww	36	Aux 13	48	Aux 19

<sup>a</sup> Inactive on 2-M/E Kalypso HD systems.

## Output Assignments Menu

The Output Assignments menu is used to change the Kalypso system output assignments. The current output assignments can be viewed in this menu. Press **Eng Setups, Outputs** to access this menu (Figure 122).

Figure 122. Output Assignments Menu



The scrolling list of data pads along the left side of the screen shows the currently assigned output for each listed module connector pair. The scrolling list on the right side shows the available outputs.

### To Change Output Assignments:

1. Touch one of the output signal data pads from the left scrolling list to select it and display information for that output connector.
2. Select the Mode appropriate for the output being configured:
  - Select **Fixed** if the output is to be dedicated.
  - Select **Switched Preview** if the output will be used for switched preview. Switched preview can be assigned to multiple outputs.
  - Select **Aux** if the output will be an Aux bus (see *Aux Bus Configuration on page 163* for more information).

Different sources appear on the right side of the menu, depending on what mode has been selected.

3. The **Suite 1** and **Suite 2** buttons are used to assign the currently selected output to a suite. The default setting is Suite 1.

**Note** Outputs assigned to Suite 2 will go to black if a Kalypso system configured for Multi Suite operation is set back to Single Suite mode. For this and other reasons switching a Multi Suite Kalypso system back to Single Suite mode is not recommended.

4. Touch the button of the desired output for that connector from the scrolling list on the right. The change is immediate, and can be viewed on a connected monitor. (Switched Preview mode does not offer any output sources to select from).
5. If desired, touch the Name data pad to change the name of the output using the pop up alphanumeric keypad or standard keyboard. This name appears on the data pad of the scrolling list on the left.
6. Exit the menu by touching the menu name located at the top of the screen.

## Aux Bus Configuration

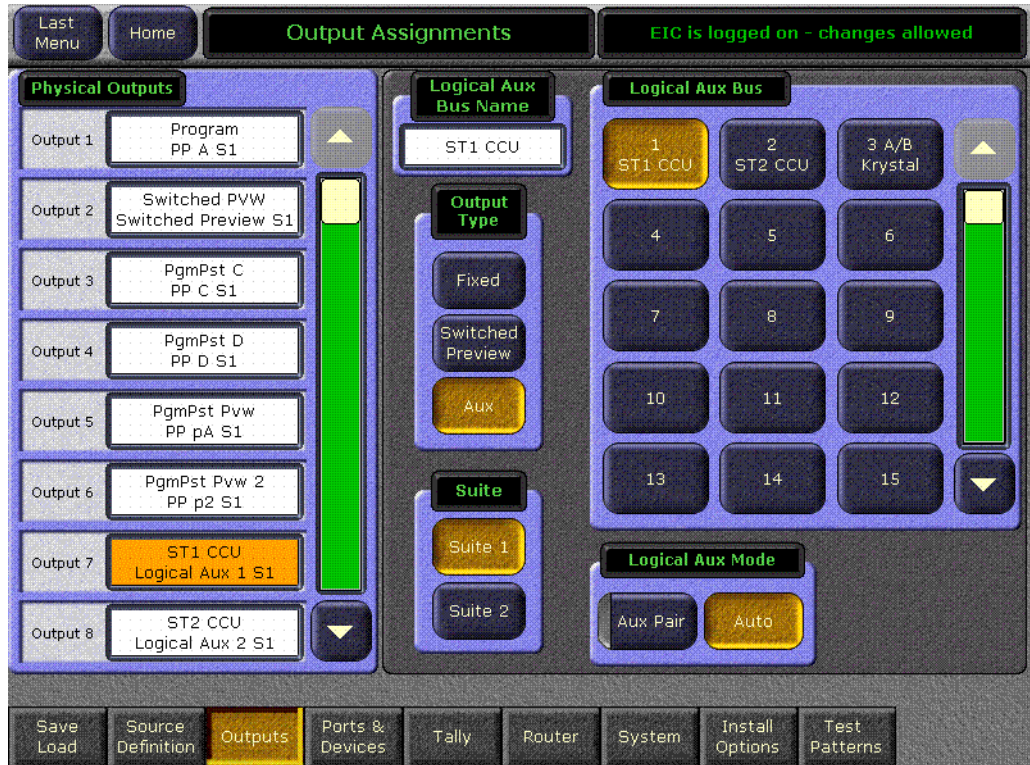
Aux buses can be used to send dynamically selected sources to an output. Aux bus sources are selected using the Local Aux panel, or using Remote Aux panels delegated to control that Aux bus. It is also possible to configure Aux buses to work with DPMs, which allows the DPM to switch Aux bus sources during the running of an effect (see *Appendix C-External Interfaces* for more information). Other Aux Bus attributes such as bus-to-panel delegation and Aux Pair configuration are covered in menus outside of Eng Setups and will be referred to in this section.

The number of aux buses on a Kalypso system varies, depending on how the physical outputs have been mapped. Any output that is not configured as Fixed or Switched Preview is available for use as an Aux bus.

### Video Only Aux Bus

When the Logical Aux Mode **Aux Pair** button is not selected, the Aux bus is configured as a single video-only output (Figure 123).

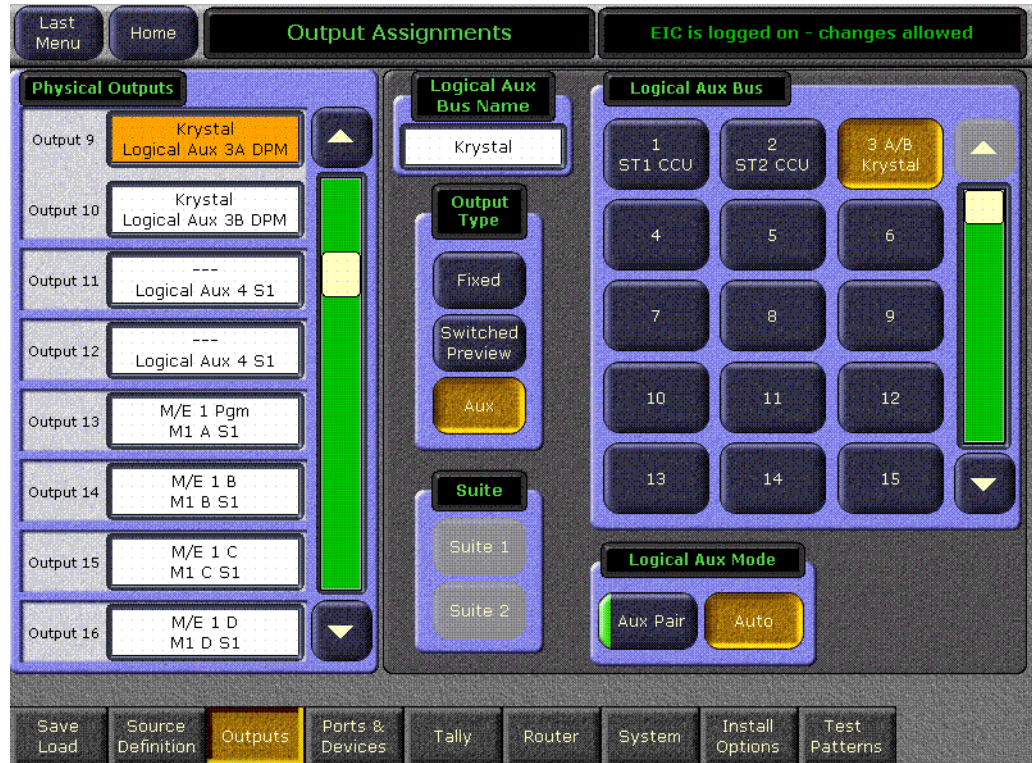
Figure 123. Output Assignments Menu, Video Only Aux Bus



## Aux Bus Pairs

Physical Aux Buses can be also configured as Aux Pairs in the Outputs menu, by selecting the **Aux Pair** button (Figure 124).

Figure 124. Output Assignments Menu, Aux Bus Pair



Aux Pairs are two physical Aux Buses that have been configured to send a video and associated key (or another video) signal to an external device, such as a DPM, usually for an effects send effect. Pairing of the video and key signal to be used on the Aux bus is defined in the Sources menu as explained earlier. Aux pairs are indicated on the menu by changing the gray area around the two buses to show they are grouped. The Aux Bus pairs are also identified with A and B letter indicators. The Aux A signal is always a video signal.

The Aux B signal can be defined as either video or key, which is done in the separate Aux Bus menu, outside of Eng Setup. To access this menu touch **Aux Bus** from the Home menu (Figure 125).

Figure 125. Aux Bus Menu



## Remote Aux Panel Configuration

After the optional Remote Aux panels are installed, powered up, and set to different addresses, they need to be configured to the Kalypso system.

The following steps are involved.

- For serial control Remote Aux panels, in Engineering Setup identify which serial port (7 or 8) the Remote Aux panels will use.
- Identify and name the Remote Aux panels in Engineering Setup,
- Map sources to Remote Aux panel buttons in Daily Setups, and on multiple destination 32-Crosspoint Remote Aux panels map the Aux buses to be controlled by the delegation buttons on each panel.
- Program joystick overrides, if appropriate.

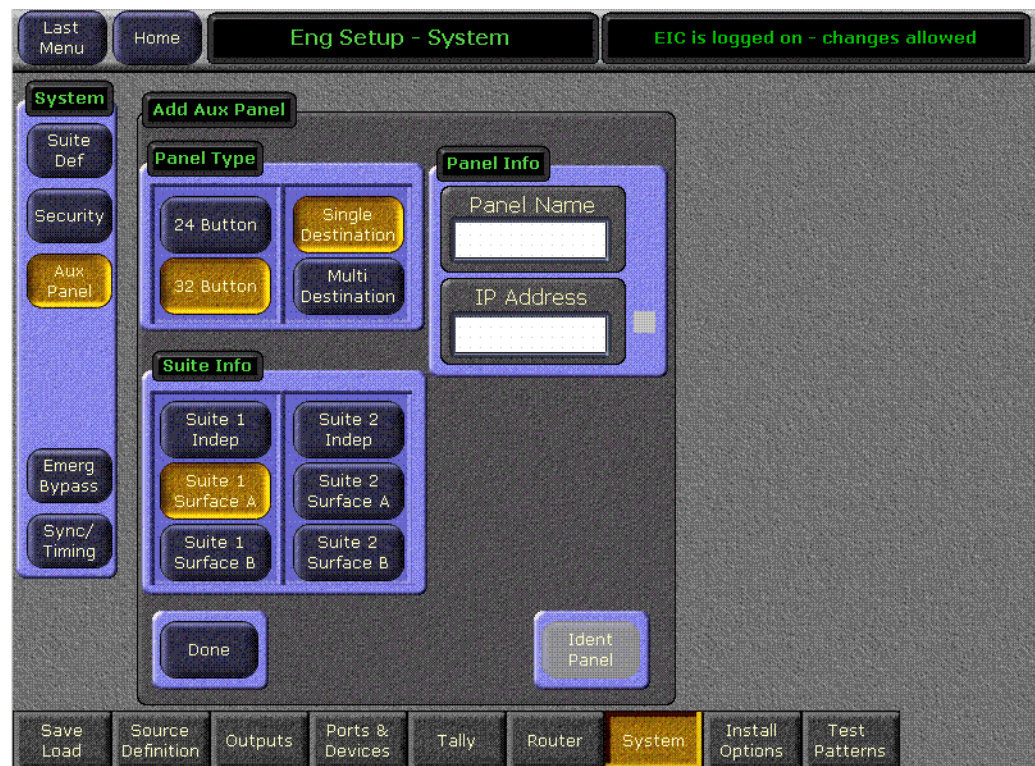
## Select Serial Port (Only Serial Remote Aux Panels)

1. Go to the Port and Device Definition menu (**Eng Setup, Port & Devices** and select **(Remote Aux Panel)** from the scrolling list.
2. Touch the Assigned Serial Port data pad. On the Physical Serial Port Assignment pane, select either **Port 7** or **Port 8**.
3. Touch the **Done** button.
4. Connect the serial communications cable to be used with the Remote Aux panels to this serial port on the Video Processor frame.

## Identify Remote Aux Panels

The Eng Setup System menu is used to identify the type of Remote Aux panel and its address. This menu is reached by pressing **Eng Setup, System, Aux Panel, Add Panel** (Figure 126).

Figure 126. Eng Setup - System Menu



1. Select the type of panel (24 or 32 Button, Single or Multi Destination).

2. Enter the address of the panel.
  - If a 24-Crosspoint panel, touch the **Panel ID** data pad enter the Panel ID number set with the DIP switches on the Remote Aux panel.
  - If a 32-Crosspoint panel, touch the **IP Address** data pad and enter the IP address of the Remote Aux panel being configured.
3. Touch the Panel Name data pad and give the panel an easily recognized name.
4. Identify the Remote Aux panel as a component of a control surface of a suite, or independent.
  - Remote Aux panels should be associated with a control surface if they operate in conjunction with other panels in that control surface. For example, if the TD uses Remote Aux panels as DPM input selectors, their User Pref will control the button mapping for these panels.
  - Remote Aux Panels should be Independent if they are used by a different operator. For example, Remote Aux panels used at the camera shading position should be configured Independent so that they are not affected by the TD's User Pref loads.
5. Touch the **Done** button.
6. Repeat this procedure with all the Remote Aux panels to be used with your Kalypso system.

## Remote Aux Panel Button Mapping

After a Remote Aux panel has been identified it will be available for button mapping.

- The Button Mapping menu (accessed by touching **Daily Setups, User Prefs, Button Mapping**) is used to map the sources associated with each source selection button. This menu is also used to program joystick override operation (see *Joystick Override on page 169*).
- For multi-destination panels, the Aux Deleg Mapping menu (accessed by touching **Daily Setups, User Prefs, Aux Deleg Mapping**) is used to map the aux buses to delegation buttons.

**Note** Remote Aux panel button and delegation mapping settings are made here, but the configuration data is saved with Eng Setups. This is different from Local Aux panel and Main panel button mapping settings, which are saved with Daily Setups.

Refer to the separate *Kalypso User Manual* for specific button mapping instructions. Mapped buttons can also be labeled, using film inserts (see *Button Labeling on page 264*.)



## Joystick Override

Camera joystick override allows the Aux bus to be momentarily switched to a camera for shading, then switched back to what ever source was previously selected, typically Program. Contact closures in the camera shading panels are wired to the joystick override connector on the Remote Aux panel Remote Aux panel joystick override is programmed using the Button Mapping menu. Joystick override selections are available at the bottom of the scrolling button mapping list (Figure 127).

Figure 127. Button Selection for Joystick Override



1. Select the Remote Aux panel to be programmed by touching the lower right **Remote Panel** button, touching the yellow data pad, and selecting the remote Aux panel from the list. After selection you are returned to the previous menu.

**Note** Remote Aux Panels need to be configured (Panel ID or IP Address set) before joystick override can be programmed.

2. In the center pane, scroll to the end of the list and touch the button for the joystick override contact pin to be programmed.
3. In the right Sources pane touch the button for the camera source associated with the camera shader wired to that contact pin.
4. Repeat for all the joystick override contacts to be programmed.

## Configuration Files and Remote Aux Panels

Beginning with Kalypso version 9.1.5, Independent Remote Aux panel configuration data is saved with Eng Setups, and button mapping data for Remote Aux panels assigned to a control surface is saved to User Prefs. Remote Aux Panel configuration files for earlier software versions may not follow this convention, so these files should be reloaded in the proper order.

**Note** When updating software on your Kalypso system, first reload the Eng Setup file and then load the Suite Prefs, and finally load the User Prefs file to ensure legacy Remote Aux panel configuration information is retained.

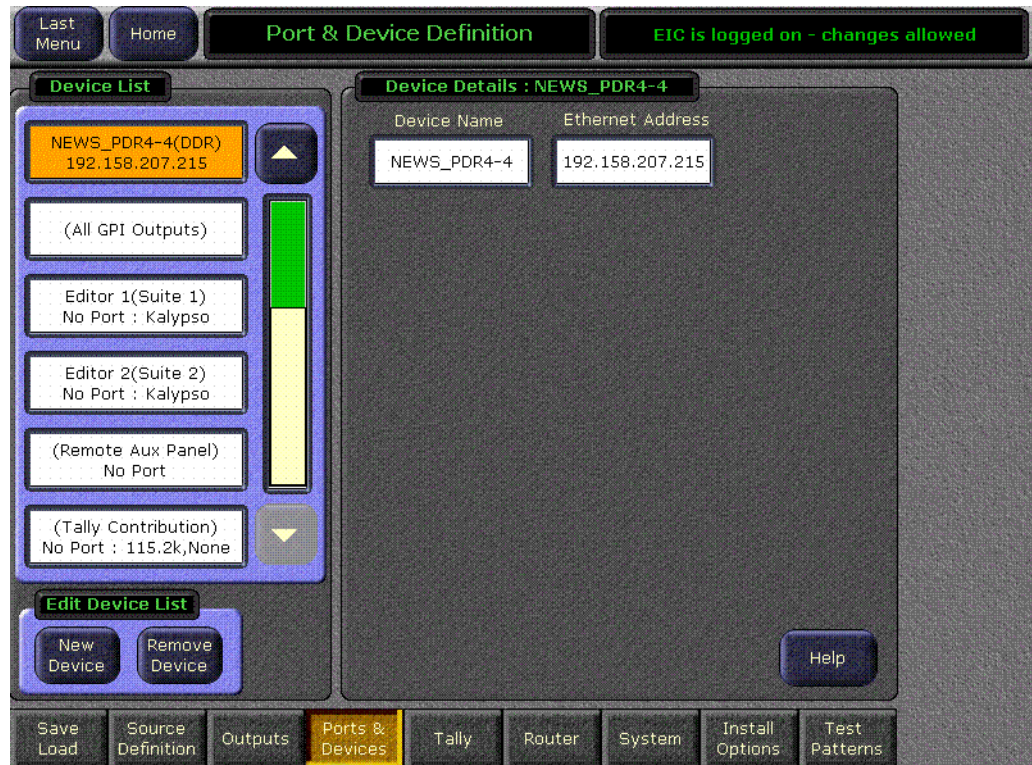
In general, if you are only making changes to an existing configuration on a system whose software version has not changed, you do not need to load all these file. However, you should be sure the Eng Setup is correct before you change a Suite Prefs file, and both the Eng Setup and Suite Prefs should be correct before you change a User Prefs file.

Remote Aux panels configured as Independent are only accessible for configuration when you are logged in as the EIC. Aux panels assigned to control surfaces can only be configured when the Menu panel is accessing that control surface.

## Port & Device Definition Menu

The Eng Setups Port & Device Definition menus is used to create and edit *Device Definitions*. Each Device Definition contains the settings required to use the unique features of that device. DDRs, VTRs, and DPMs are associated with sources, while GPI and PBus devices are not. A new logical device can be created, and existing devices can be edited and deleted via this menu. Serial ports are also assigned with this menu. The menu is accessed by touching **Eng Setup, Ports & Devices** (Figure 128).

Figure 128. Port & Device Definition Menu



See *Section C-External Interfaces* for specific configuration instructions.

## Tally Configuration

The Tally menus are used to configure the tally system. There are multiple tally calculators, three different tally calculation methods, and user assignment of tally relays. The results of the tally calculators are applied to the tally relays on the Tally modules in the Video Processor frame, and those relays control external tally lights. The menu set also allows the user to map Engineering sources to the tally relays. Sixty four tally relay outputs are built into the Kalypso HD system. Tally is recalculated and refreshed every field.

### About Tally Systems

In general, a tally system identifies which sources to the switcher contribute to the final picture at a selected point in the video chain. The identification is communicated by activating relays in the video frame. The method by which the sources are determined is called the tally calculation.

The tally calculation begins at a point in the video path and then traces the path of the signals upstream to their original video (and key) sources. The state of the switcher affects tally. For example, tally on a true clean feed only includes sources that contribute to the main output, but tally on a programmable clean feed can include sources that do not contribute to the main output.

When configuring a tally calculation, the user chooses the starting video path point (called a tributary) to trace back to its origin. The main On Air tally video output point is Pgm-Pst PGM A, but Pgm-Pst PGM B, Pgm-Pst C, and Pgm-Pst D are included in case these alternate programmable clean feed outputs have keys (or utility buses) that don't contribute to the PGM A output.

The On Air tally calculations are essential for switcher operation. (One calculator is reserved for On Air.) This tally calculation forms the basis for On Air indication (panel, camera tally lights, etc.), and other functions such as external device Auto Start, Off Air Advance, or router protections. On Air tally calculations normally start at the Pgm-Pst PGM A-D outputs.

User tally calculations can be used for purposes other than On Air tally. These tally calculations still trace the video path up stream from the specified points in the video path, but the starting point does not necessarily have to be a program output. For example, a Look Ahead tally begins at the Pgm-Pst Look Ahead Preview (LAP). When a transition is not in progress this virtual output is not on air.

The Output tally calculator indicates which sources contribute to designated outputs. For example, a M/E Iso tally is a user configured Output tally set up to begin at an M/E's PGM A, B, C and D. The tally would indicate what contributes to the M/E's program outputs but not anything down stream of it. The tally would be the same whether or not the M/E was On Air.

The Look Ahead tally calculator indicates which sources will be on air if a main transition is performed on the selected level. One way this can be used is for a second set of tally lamps on a camera to alert the camera operator that his camera is next to be taken on air. Many control room monitor walls also include a secondary tally indicator for Look Ahead. Look Ahead tributaries do not necessarily leave the switcher as video signals. For example, an M/E has four program outputs but only two physical preview outputs. The LAP information for all four program outputs may be included in a tally calculation.

However, if an M/E is placed down stream of Pgm-Pst the On Air tally calculation can be configured to start at that M/E's program outputs. If this situation is planned, it is recommended that aux buses be set up to provide the real program outputs for the switcher and the On Air calculation configured using those aux buses as the tributaries.

You can use more than one starting point for tally calculations. Programmable clean feed (FlexiKey) and DoubleTake options allow the exclusion of video signals from the M/E main output (PGM A) that appear on one of the other program outputs. Include the other program outputs with the M/E main output (PGM A) as calculation starting points to tally all the On Air sources.

Kalypso allows tally calculations to ignore some of the M/E outputs if they are never used as alternate program outputs.

The Bus Selection tally calculator indicates which sources are selected on a specified set of switcher buses. The tally calculator using this method does not trace tributaries upstream; it only tells what sources contribute to the specified bus(es), even if the source is an M/E. For example, a Bus Selection tally calculation could be set up to indicate which source is selected on the Pgm-Pst A bus, permitting audio-follow-video selections to be run by the tally system.

## Tally Calculation Definition Menu

The Tally Calculation Definition menu is used to select calculators, methods, and levels, name User calculators, assign outputs to Tributaries, and turn the User calculators on and off. Touch **Eng Setup, Tally, Tally Calcs**,

(the Tally Calcs button is in the Function pane) to access the menu (Figure 129).

Figure 129. Tally Calculation Definition Menu



The Kalypso tally calculator may use a method other than Output On Air to compose its list of tallied sources. There are 3 tally calculation Methods or types; Output, Look Ahead, and Bus Selection.

Kalypso has five independently running tally calculators. For example, the system can calculate On Air tally, Look Ahead tally, and M/E output tallies for three M/Es at the same time. The first of the five tally calculators is reserved for On Air tally calculation.

Up to four tributaries can be included as the basis for each tally calculation. For example, all four program outputs of the Pgm-Pst bank are typically included in the On Air tally calculation. The final tally source list is a union of the sources found on each of the four tributaries. If aux buses are actually used as the program outputs of the switcher (for example, to facilitate the use of M/E 1 as additional downstream keyers), up to four aux buses can be the basis of On Air tally calculations.

Tally calculations do not require actual outputs, for example, LAP tributaries are virtual and may never leave the M/E.

In the Tally Calculators pane, there are five available Tally Calculators. When one of the Tally Calculators is selected, then the pane to the right del-

egates to the selected calculator and shows the calculation Method, Level, and Tributaries.

The Calculation Name data box pops up the alphanumeric keyboard so that a User Button can be given a meaningful name. In this example, names have been entered for User 1, User 2 and User 3. The first tally calculator has a fixed name so the Calculation Name data box is grayed out, and the calculation name is automatically set to **On Air**. Since the On Air Calculator is restricted, the buttons for the other methods are disabled. Also, the On Air system tally is always on and can not be shut off.

A different setup is shown in [Figure 130](#). The calculator is User defined with a Look Ahead Method selected, the level is Pgm-Pst, and it uses two look-ahead preview buses as tributaries.

Figure 130. Tally Calculation Definition Menu, LAP



The Method pane has three button choices so you can select between **Output**, **Look Ahead**, and **Bus Selection**. **Calc Off** is a toggling button with a red LED. If **Calc Off** is activated, the tally calculator is shut off, and (Off), is printed under User # in the Tally Calculations pane, as shown under User 3 in this example. Calculations for On Air Tally can not be shut off. When the calculation method is on, the (Off) annunciator disappears.

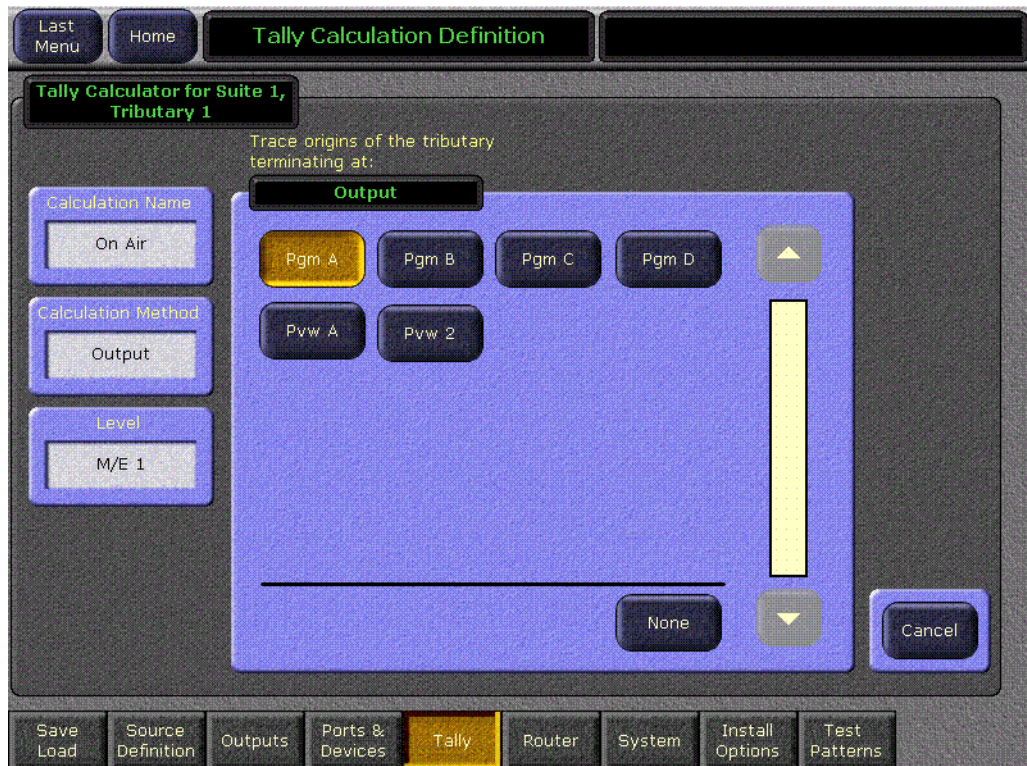
There are four Tributaries available for each tally calculator. There are plus (+) signs between each of the Tributaries to indicate they all sum (or logically OR) together to form a union of sources. Each tributary has a data box

showing the output through which the tributary is traced upstream to its source. If a tributary has not been defined or has been cleared the data box displays ---.

The Tributaries for a given Tally Calculator must all terminate in the same M/E or Aux system.

The Tributary data boxes, when touched, pop up a picker menu as shown in [Figure 131](#).

Figure 131. Tally Out Popup Menu



The title to the popup pane shows the calculator identifier and the Tributary number. For reference, the Calculation Name, Calculation Method, and Level are shown in non-editable data boxes.

The starting point for the tally calculation is selected in the picker pane. Which is titled Output when the switcher outputs are listed. This illustration shows six outputs on Kalypso for Program-Preset or an M/E.



If the Method is Bus Selection and the Level is Aux, the pane in [Figure 132](#) would appear.

Figure 132. Tally Aux Popup Menu



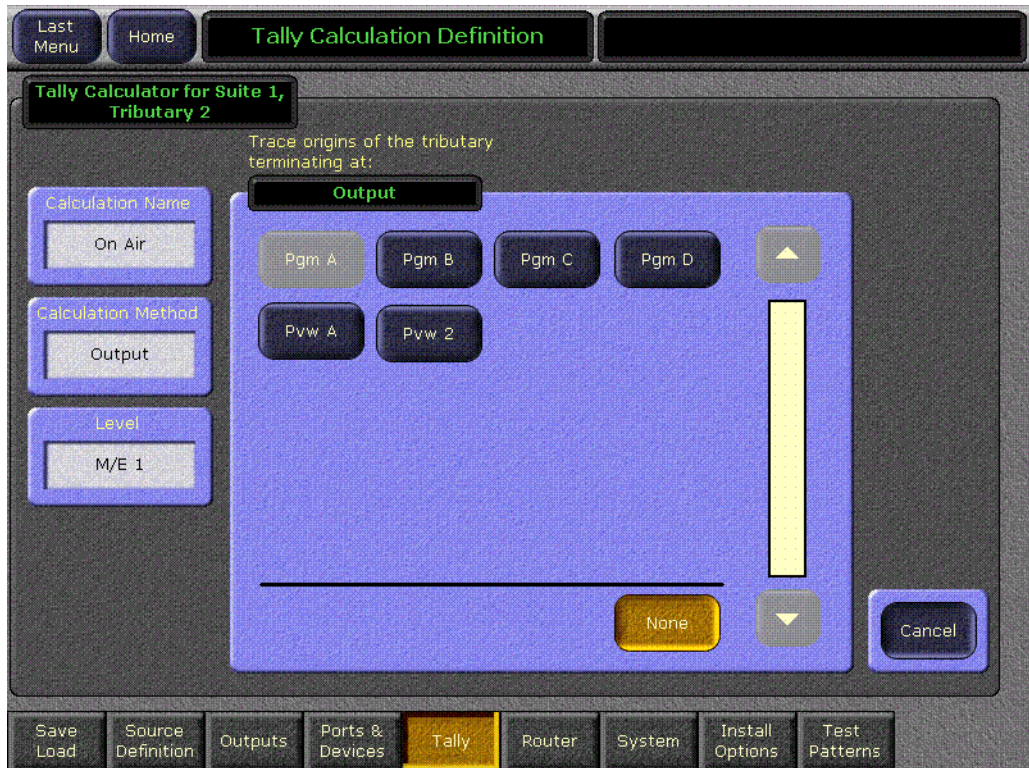
The scroll bar appears because there are more logical aux bus buttons than can fit on a single pane.

When the popup is entered for a tributary that has no assignment, the **None** button is shown lit. If the popup is entered where there is already a tributary assignment, the assigned output button is shown lit. Pressing any button in the picker selects that output and exits the popup. Pressing the **None** button in the source or aux picker clears the tributary, setting it to --- and exits the popup. Pressing the **Cancel** button exits the menu without changing the tributary assignment.

After a tributary choice has been assigned, subsequent popups gray out the already selected choice(s). This is shown in [Figure 133](#). In this example,

Tributary 1 was Pgm A, so in the popup for Tributary 2, Pgm A is grayed out.

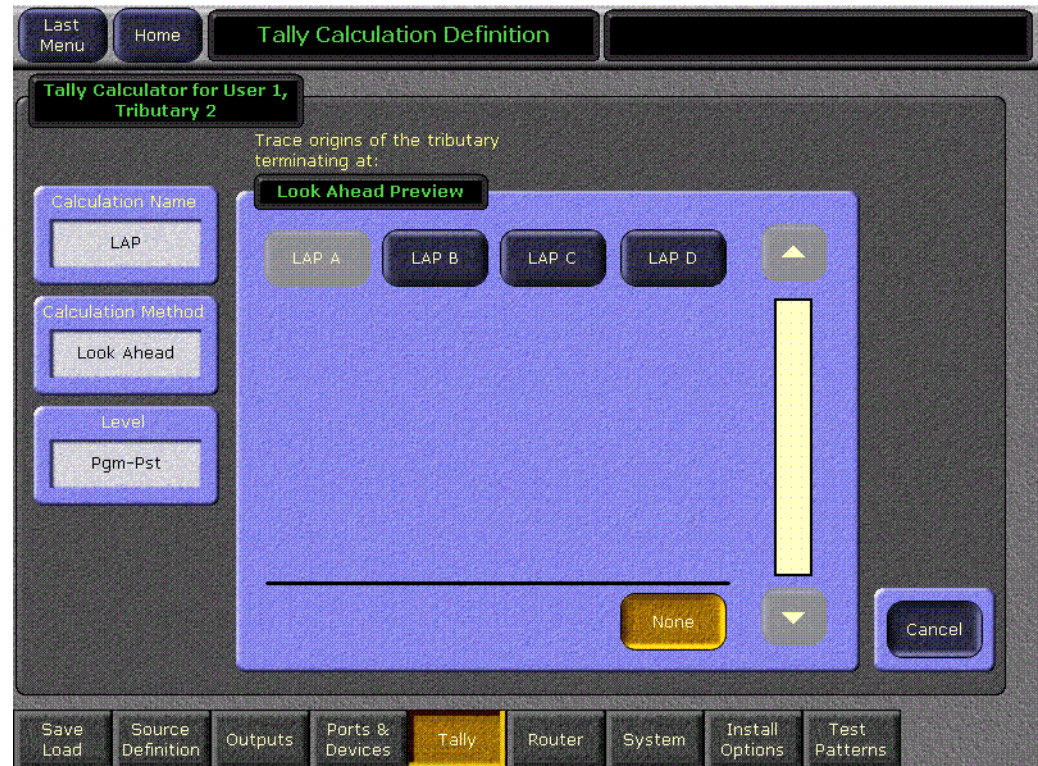
Figure 133. TallyPopupTrib2 Menu



If the Calculation Method is Look Ahead, Aux is grayed out in the Level pane, because there is no look ahead point on an aux bus. Then when a Tributary data box is touched, the following popup in Figure 134 appears. The available points in the video chain for look-ahead previews are called LAP

A, LAP B, LAP C, and LAP D. In the example shown, LAP A is grayed out because it has already been assigned to Tributary 1.

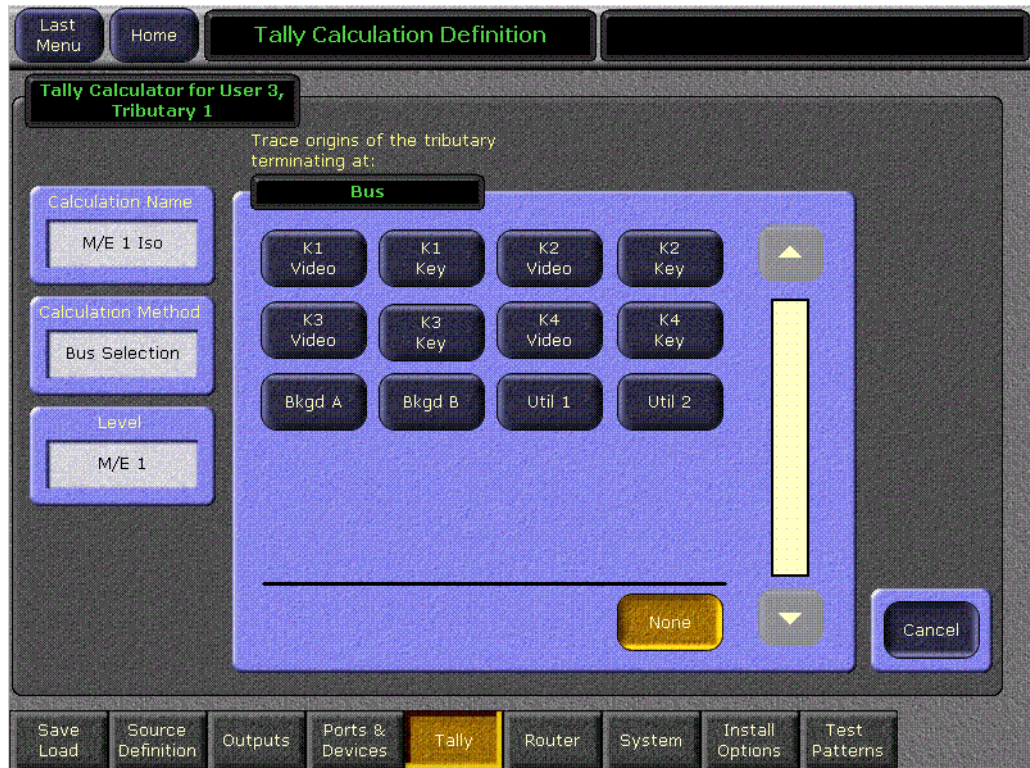
Figure 134. Tally LAP Popup Menu



If the Calculation Method is Bus Selection, and if the Level is M/E 1, M/E 2, M/E 3, or Pgm-Pst, and the user touches a Tributary data box, the following popup in [Figure 135](#) appears. All the input buses in the M/E are

shown, and the key buses are shown as separate Video (fill) and Key (cut) buses.

Figure 135. Tally Bus Popup Menu



## Tally Relays

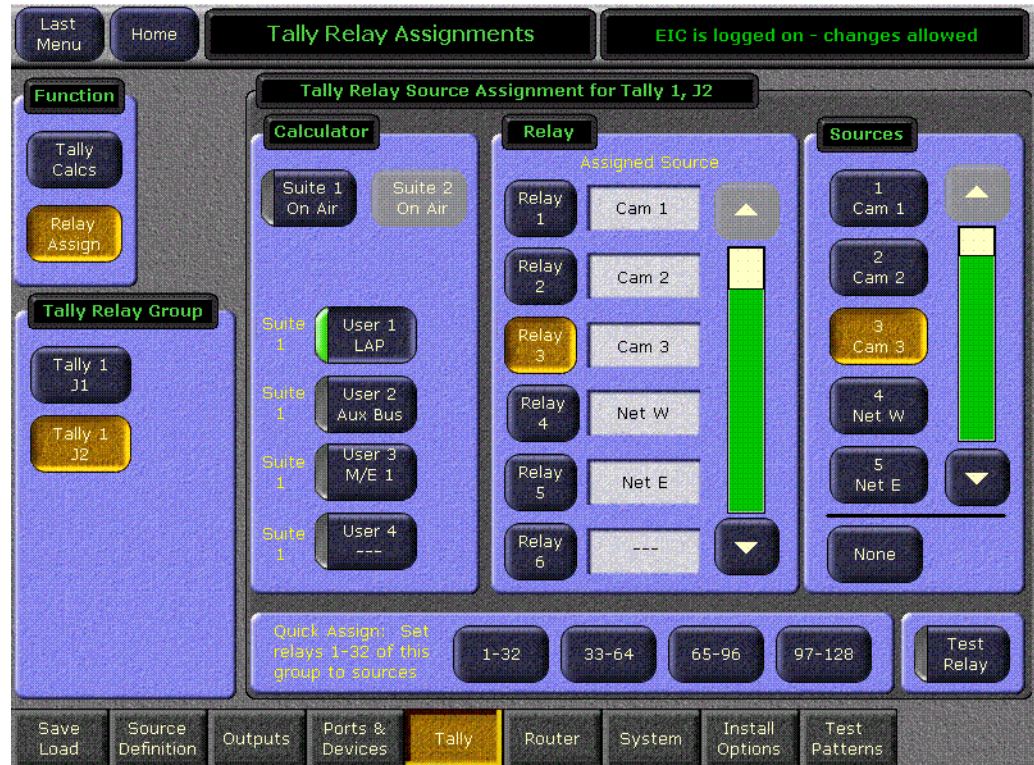
Tally relays are grouped in increments of 32 relays. Each group can be associated with any combination of the five tally calculations, and each relay in the group can be associated with a different source. For example, the first group of 32 relays could be configured for On Air tally with the first relay tallying source 14, the second tallying source 47, etc. The second group of relays could provide look ahead preview for the same (or different) sources.

Combining tally calculations when configuring tally relay groups can often minimize external wiring and conserve relays. For example, if an aux bus feeds the record input to a replay device, a user tally calculation can be set up for output tally of that aux bus and combined with the On Air tally calculation. This permits Auto Start, etc. to function normally, but the On Air relay closures will include the source feeding the replay recorder.

### Assignment of Tally Relays to Sources:

Touch **Eng Setup, Tally, Relay Assign** (the Relay Assign button is in the Function pane) to access the Tally Relay Assignments menu (Figure 136).

Figure 136. Tally Relay Assignments Menu



The default tally calculator is the On Air calculator, with the 64 relays tallying the first 64 sources (1-32 and 33-64).

There are two relay groups for Tally, each associated with the two tally connectors on the rear of the frame. Touching a button for a relay group delegates the Tally Relay Source Assignment pane to show details for the selected group.

In the Tally Relay Source Assignment menu is a selector for the Calculator, a Relay list, and a Sources list. In addition, there are Quick Assign buttons and a Test Relay control.

Touch the Tally Calculator to be assigned to the selected relay group. All buttons toggle on and off independently, so you can select more than one calculator to be applied in a logical OR to the delegated relay group. The text in the buttons is formatted such that the upper line shows the Calculator Identification and the bottom line shows the Calculator Name.

Touch a numbered Relay button from the list, and then assign a Source to that Relay from the list of Sources. The Source button displays the Engineering ID, and the user defined Engineering name (if an Engineering

name has been entered in the Source Definition menu). Tally relays map to Engineering Sources not Logical Sources, to ensure tally is consistent regardless of Source patching. The Source name will display in the non-editable data box next to the Relay. Relays already assigned will automatically show their assigned Source. If a relay is unassigned or the **None** button is selected for that Relay, --- is displayed.

The four **Quick Assign** buttons will assign the 32 relays in the group respectively to sources 1-32 or 33-64.

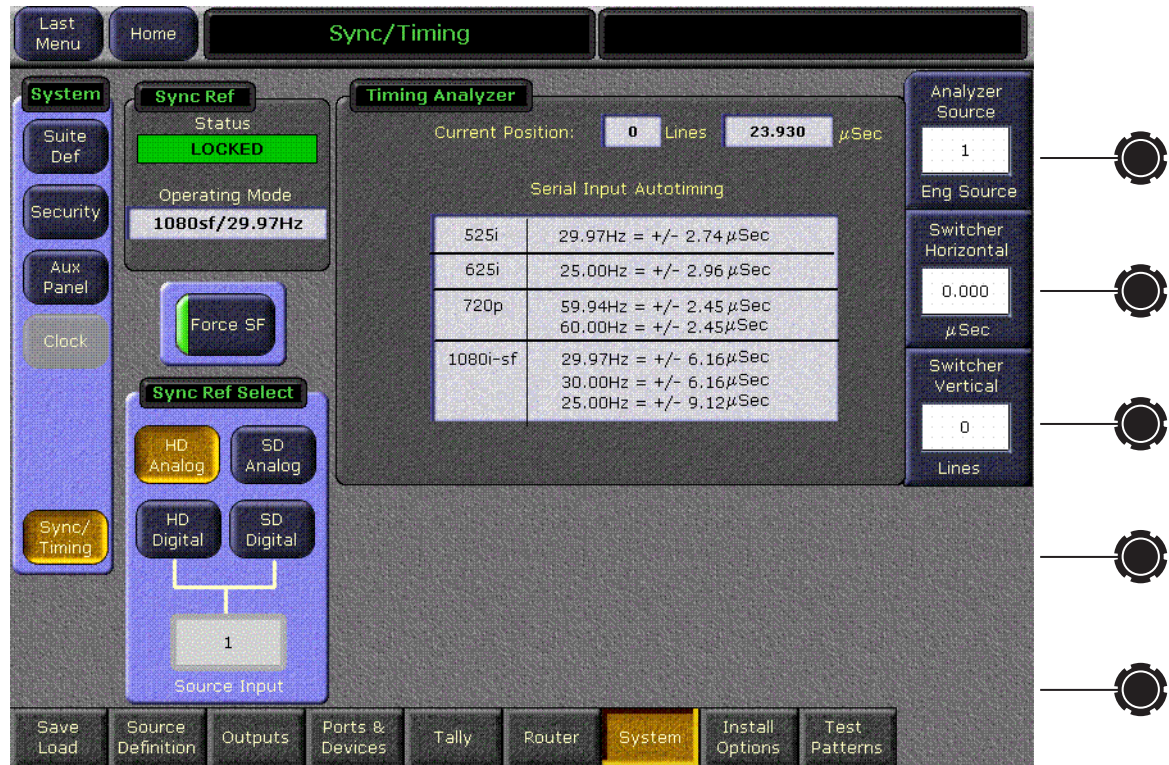
**CAUTION** When a Quick Assign button is pressed it will immediately assign the relays. To reassign the relays requires each button to be individually selected and reassigned one at a time.

The Test Relay button when toggled On causes the selected relay to flash on and off at a rate of 1 Hz as an aid in setup and troubleshooting. The test flash mode persists as long as the Test Relay is on and is automatically shut off when either a different relay is selected in the Relay pane, or when a different relay group is selected in the Tally Relay Group pane, or when the Tally menu is exited.

## Sync/Timing Menu

The Sync/Timing menu, accessed via **Eng Setup, System, Sync/Timing**, reports the status of the sync regenerator of the Kalypso system, and is used to switch between HD and SD operating modes and adjust input timing (Figure 137).

Figure 137. Sync/Timing Menu



### Sync Ref

The Kalypso sync regenerator locks to an incoming reference signal and reports the line standard it is regenerating in the Operating Mode field. That operating mode persists until a reference input different from the current line standard is detected and locked to. If the reference signal is temporarily lost, the Kalypso system will continue to free run in that line standard and a NO INPUT status will be reported.

### Timing Analyzer

The Timing Analyzer pane, available on Kalypso HD systems, can be helpful when timing the system. See *Kalypso Video Timing and Delay* on page 120 for more information.

## Sync Ref Select Pane

The Sync Ref Select pane has four buttons. The top two buttons select the reference input connector that will be used by the system, either HD or SD. Choosing a different reference and resetting the frame changes the Kalypso system operating mode. Only Kalypso HD systems, or Kalypso Duo systems equipped with a software authorization upgrade, can operate in HD mode.

The lower two buttons permit the selection of a different input connector for use as the system reference. When selected you can choose the input connector with the Source Input data pad immediately below.

Whatever reference input is selected, the signal feeding that connector must be of the proper format for the desired operating mode.

**Note** Though Kalypso Duo systems without the software authorization upgrade cannot operate in HD mode, the HD reference buttons remain available for selection. This makes it possible to back down to 9.1 software. Software earlier than 10.0 only supports HD operation and the Kalypso system must be in that operational mode before loading this earlier software.

## Force SF Button

The Kalypso HD system supports 1080sf (segmented frame) video formats at 24, 25 and 30 fps. Segmented frame video captures both fields at the same time, but displays them at an interlace rate. This can give a subtly different look to the resulting video playback. Interlaced and segmented frame video requires different internal system video processing techniques. These include changes to crosspoint cut points, wipe pattern geometry, and interpolation.

The Kalypso system automatically detects the line and frame rate of the incoming video reference signal and reports its Sync Reference status on the Sync/Timing Menu. However, the system cannot directly determine whether the incoming video is interlaced or segmented frame. Because 1080-24 fps video is only produced in segmented frame, the system always uses segmented frame processing whenever it operates with a 1080-24 fps sync signal. When operating at 1080-25 or 1080-30 the operator must set which type of video processing the system will use with **Force SF** button.

Autotiming values for each segmented frame format is the same as its interlaced counterpart. If you are using the 24 Hz segmented frame rate, 25 Hz interlaced timing values can safely be used.

## To Change the Kalypso System Operating Mode

1. If the Kalypso system is turned off, power it up. After the frame boots let it operate without a reset for at least three minutes. This allows time for NV Memory saves to be enabled, which helps ensure operating mode changes persist after reboot.



2. Login as the EIC.
3. Touch the button of the desired operating mode on the Sync/Timing menu.
4. If running Kalypso Release 10.1.0 software you must wait three minutes to allow the setting change to be saved to non-volatile memory. If the frame is reset without waiting the setting change may not be retained.

**Note** The Still Store Cache is completely cleared when the Video Processor frame or the Still Store module is reset.

5. Reset the Video Processor frame and allow time for it to return to operation.
6. If necessary, change the operating mode of the picture monitors being used by the Kalypso system to match the new operating mode.

Once the Kalypso system is running in the new operating mode the sources you select will need to be compatible. This includes not only the HD/SD format but also the correct 4:3 or 16:9 image ratio (set in Suite Preferences).

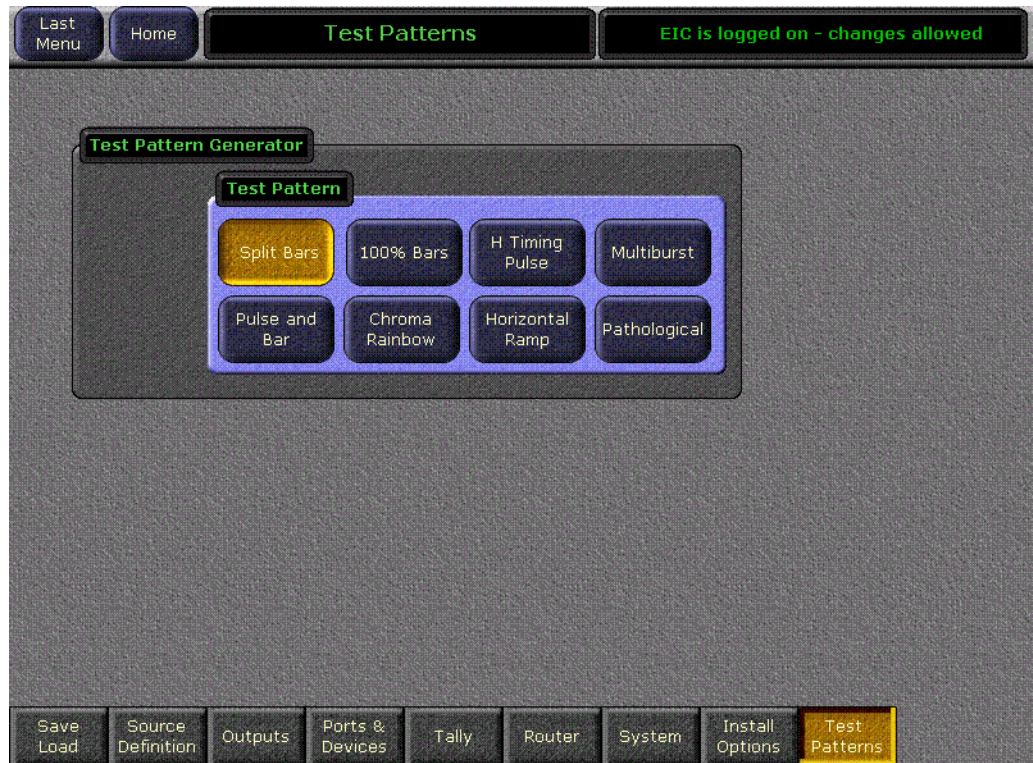
The following techniques can help make changing operating modes easy:

- Connect your facility's HD sources to one set of Kalypso Video Processor frame inputs, and connect the SD sources to a different set of inputs. Then create Engineering Setup, Suite Pref, and User Pref files appropriate for each format. After changing the operating mode, simply load the configuration files to complete the changeover.
- If your facility has too many SD and HD sources to connect them all at the same time, create facility router salvos for either HD or SD sources for the same router destinations connected to the Kalypso system. Fire the appropriate salvo after changing the Kalypso system operating mode. You will again probably need separate configuration files for each operating mode so the sources will be correctly set up.

## Test Patterns Menu

The Eng Setup-Test Patterns menu (Figure 138) allows the selection of different video test patterns. The chosen test pattern will be displayed when the Test source is selected.

Figure 138. Test Patterns Menu



## Other Engineering Setups

Other Engineering Setups menus are available for various purposes.

- Authorization codes for software enabled options can be entered in the Install Options menu (see *Authorization Procedure on page 273*).
- Configuration settings are available for an external routing system (see *Router Interface on page 330*).

## Save Engineering Setups

After defining the Engineering Setups, you can save them to disk using the Eng Setups Save-Load menu (Figure 139).

Figure 139. Eng Setup Save-Load Menu



We suggest you save your files to removable media to prevent accidental erasure. However, Engineering Setup files may be saved to any accessible drive using the file browser features of this menu.

### To Save Engineering Setups to Removable Media:

1. Insert a formatted Zip disk into the Kalypso Zip drive, or insert a formatted USB stick into an available USB port on the Menu panel.
2. Go to the Eng Setups Save-Load menu by touching **Eng Setups, Save Load**.
3. Navigate to the desired destination directory with the **Up**, **Top**, and **Open** buttons and/or create and name a new folder for the file with the **Create Folder** button.
4. Touch the **File Name** data pad and enter the name you wish the saved file to have (you may want to name it by system and date).
5. Touch the **Save** button.

6. Remove the media, label it, and store it in a safe place.

### To Load an Engineering Setup File from Removable Media:

1. Insert a formatted Zip disk into the Kalypso Zip drive, or insert a formatted USB stick into an available USB port on the Menu panel.
2. Go to the Eng Setups Save-Load menu by touching **Eng Setups, Save Load**.
3. Navigate to the directory containing the file you wish to load, using the file browser buttons in the upper right. You can use the **Top** button to display the Zip drive letter.
4. Touch the icon of the desired file so it is highlighted.
5. Touch the **Load** button.

**CAUTION** The Load button immediately replaces information the Kalypso system is currently using with the selected file information. When configuration files are loaded, significant changes to Kalypso system operation are possible.

# Daily Setups

Daily Setups are available to operators as well as facility engineers. These settings may need to be changed on a session by session basis. The Kalypso system supports Suite Preferences and User Preferences.

The engineer in charge of a Kalypso system should create and save at least one default set of Suite and User Preferences so the system can be set to a known state. This can be accomplished using the Daily Setups Save-Load menu. Save these settings to Zip disk for backup, and install them in the Profiles directory for easy access.

The following items in particular will help you restore the system to a known state for troubleshooting and testing.

## Suite Preferences (Suite Profile)

- E-MEM Prefs,
- Default Keyframe,
- Video Settings,
- Source Patch,
- GPI Input and Output Settings, and
- Source Memory (On/Off).

## User Preferences (User Profile)

- Button Mapping,
- Aux Deleg Mapping,
- Shift Prefs,
- Source Display, and
- Clip Hi-Lo Prefs

## Daily Setups Save-Load Menu

- Source Memory settings.

Refer to the separate *Kalypso User Manual* and *Kalypso Reference Manual* for information about Daily Setup configuration, saving, and loading.

# Resource Sharing

## Introduction

The Resource Sharing feature permits the allocation of Kalypso system resources between two suites. This allows independent system operation from multiple locations without conflict.

Logical resource assignments allow the reuse of E-MEM effects in either suite regardless of which specific hardware resources were allocated.

Security provisions can restrict unauthorized access to a suite from a Menu panel in the other suite, or from a PC connected to the Kalypso system network.

Each suite can be run with its own suite preference settings, and two different user preference settings can operate simultaneously in each suite. These preferences can be saved and loaded, permitting reliable Kalypso system changes to meet varying requirements.

The current suite/resource relationships are maintained in non-volatile (NV) memory. If the Kalypso system powers down or is reset, resource allocations for each suite are restored when the system returns to operation.

## Collaborative Resource Sharing

Collaborative resource sharing permits a group of operators to have simultaneous access to a resource. For example, a video operator may want access to an M/E so he can set up a chroma key, but the TD also wants control of that M/E so that he can put the chroma key on air. This type of sharing has always been available on Kalypso systems, simply by installing additional control panels, and does not require the Resource Sharing feature. However, prior to 8.0 software only one User Preference could be used on the entire Kalypso system at a time, which limited its usefulness (for example, source to button mapping had to be the same on all Main panels).

Corroborative system operation has inherent limitations. Since one operator can change the settings used by another operator, it is assumed the operators are in close communication with each other so they can avoid system control conflicts.

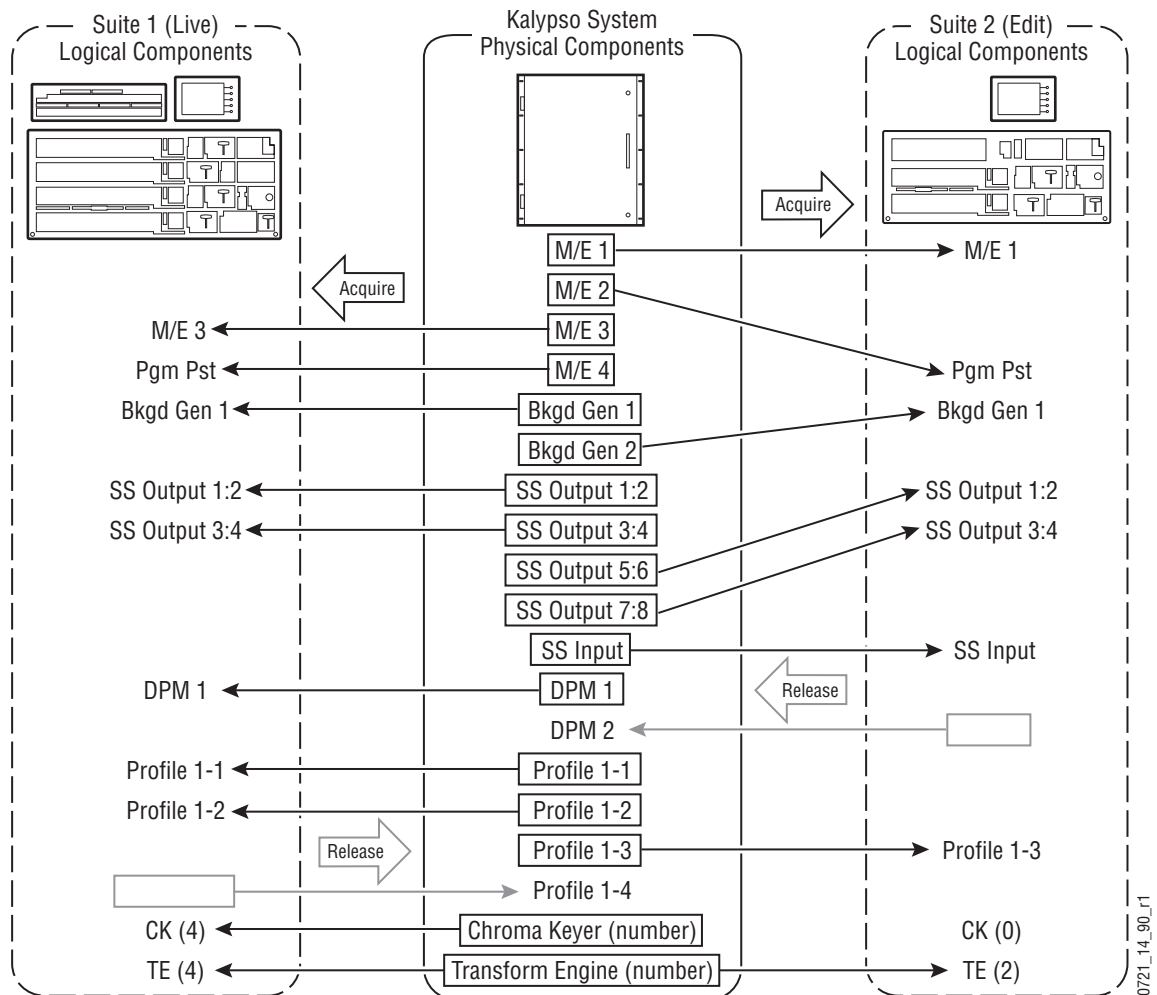
If two conflicting corroborative commands are sent, the Kalypso system ends in the state of the last command processed. For example, one operator could select a source on a bus of an M/E at nearly the same time another operator selects a different source on that same bus. The output of that M/E will momentarily display the first source and then switch to the last source selected, possibly causing an apparent flash on that output.

The Resource Sharing feature allows collaborative sharing of Kalypso system components with different User Preferences. For example, when a 1-M/E panel is used in a corroborative environment with a 4-M/E panel, the button mapping for the two panels must be different because of the different number of source buttons available.

## Independent Resource Sharing

Independent resource sharing isolates an operator or group of operators from other operators, by defining two separate suites. When one suite has acquired a resource, only the operator or group of operators in that suite will be able to control it. An example of independent sharing is splitting a 4-M/E Kalypso system into two independent 2-bank switchers (Figure 140). The Resource Sharing feature makes this possible.

Figure 140. Independent Resource Sharing Example



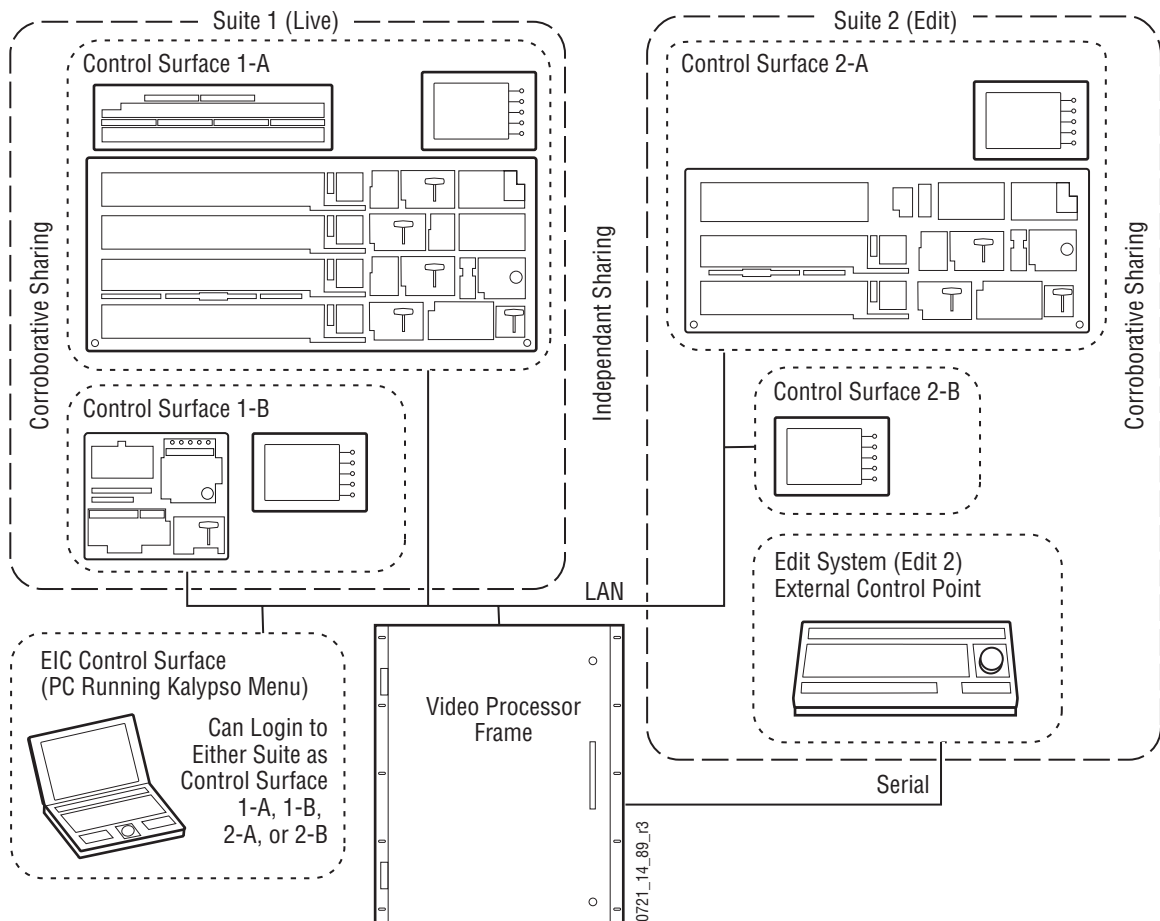
When a suite acquires a physical resource (like an M/E) it uses that resource logically. For example, the M/E 2 physical resource can be used as a logical PGM PST bank. Each of the two switchers created can therefore

have their own PGM PST bank, and this allows effects built in one suite to operate correctly when loaded and run in the other suite. Effects will also run correctly in the same suite when run at a later time even if different physical resources have been acquired. Resources can be released by a suite. Once released, these resources can be acquired by the other suite. This permits dynamic reconfiguration of the system resources to meet varying operational requirements.

## Suite

A suite is a grouping of one or more control surfaces (described below), and constitutes a coordinated working environment. Resources are attached to a suite rather than to individual control surfaces. All control surfaces in one suite have access to all resources assigned to that suite (collaborative sharing). Control surfaces in one suite are not able to control resources assigned to the other suite (independent sharing). Suites provide isolation from operators in the other suite. You will probably want to create separate suites for different control rooms, as indicated in [Figure 141](#). Otherwise, an operator in the edit suite could affect the on air output from the live suite.

Figure 141. Suites and Control Surfaces Example





## Control Surface

A control surface is generally a group of panels which interact and provide a single user a unified work surface. An example of this type of control surface is a Main panel, Menu panel, and Local Aux panel of a 4-M/E Kalypso system. These panels combine to form a Technical Director's (TD) control surface. Other panels like a shot box or additional menu can be added to a control surface.

A control surface may also consist of a single item. For example, a Menu panel (or a laptop computer running the Kalypso Menu application) can act as a separate control surface in a suite. This could be used by a Still Store operator to control the Kalypso's internal Still Store.

With Resource Sharing, up to two control surfaces can be created for each of the two suites. Each control surface can load its own User Prefs, so they can behave differently from one another. For example, different sources can be mapped to the source select buttons of the two control surfaces in the same suite, permitting quick access to different sources appropriate for each work location. If you need different User Prefs operating at the same time, separate control surfaces are indicated.

Control surfaces allow operators to collaborate on the same production while providing isolation between the operators themselves. For example, a small Main panel set up in the studio for rehearsals will need access to the same effects as the larger Main panel in the control room, but may need access to a specific set of sources. The smaller panel also requires a different button mapping. If a Menu panel is associated with each Main panel, the DPOP operations of one panel should affect its menu, not the other one.

Remote Aux panels are special in that they can be associated with a suite's control surface, or they can be associated with a suite but not with a control surface (independent). Independent Remote Aux panels have their own User Pref for button mapping and delegation mapping. This provides isolation of one user (a video operator for example) from the User Prefs of the TD.

Adding panels or menus to a control surface expands the capability of that control surface. Typical additions to a control surface would be Remote Aux panels or Kalypso Menu applications (typically on a laptop). When additional Menu applications are added to a control surface, only the primary menu interacts with the Main panel for DPOP operations.

## Desired Resources

The Kalypso Resource Sharing feature employs a desired resources mechanism. Desired resources are those that are needed for a particular show. These resources can be specified in advance and saved as part of a Suite Pref. Preparation for a specific show can then be accomplished by simply loading the preference file, and then acquiring the desired resources with

the touch of a single button. It is not necessary to know what all these specific resources are and acquire them manually.

For example, an evening newscast probably needs all the switcher's resources. However, a noon cut-in might be switched with only M/E 3, PGM-PST, one chroma keyer, and two TEs. The Suite Pref for the evening newscast marks all resources as desired; while the noon cut-in Suite Pref marks only M/E 3, Pgm-Pst, one chroma keyer and two TEs as desired. Acquiring the resources necessary for these programs is then accomplished by loading the Suite Pref and touching Acquire Desired in the Acquire menu. The resources not acquired for the noon cut-in remain available for use by operators in the other Kalypso suite.

## Logical Aux Buses

Each suite has its own set of numbered Logical Aux buses. This means effects built for one suite will run properly in the other as long as the physical connections for the same numbered logical Aux buses are similar. For example, if Aux bus 5 in one suite is used to feed that studio's monitor wall, using Aux bus 5 in the other suite to also feed that studio's monitor wall will make effects compatible between the suites. Note that these Aux buses have different internal paths and different physical connections, but share the same logical Aux bus number.

When Aux buses have been associated with an external device, like a DPM, when that external device is assigned to a suite the associated logical Aux bus assignments follow. Only one instance of each of these DPM assigned Aux bus numbers exist in the system, not two. Aux buses for DPMs are used either in suite 1 or suite 2 and are not logically assigned.

## Remote Aux Panels

Remote Aux panels are set up as part of a particular suite. They then become another control surface of that suite, with functionality limited to controlling only the Aux buses assigned to that suite.

## External Control Points

Some types of Kalypso system control originate from an external location, like an edit controller, or a GPI contact closure. The Resource Sharing feature accommodates these control points differently.

A separate editor port can be assigned to each suite. An edit controller connected to each port is considered part of only that suite, and controls only the resources currently acquired by that suite.

GPI inputs themselves are not assigned to individual suites. Each suite can be configured to respond to particular GPI commands, with the other suite ignoring these commands.

## Setting Up Resource Sharing

### Preparation

Kalypso Release 9.0 or higher software must be installed on all the Kalypso HD or Duo system components.

Your Kalypso system should first be fully operational. The configuration files loaded above will accomplish this on an existing Kalypso system. For new customers, an initial system configuration will be required. This basic setup will become the baseline for Suite 1 operation. This includes having the Engineering Setup configured with the sources defined, Suite 1 outputs assigned, Suite 1 tally contacts connected and serial tally defined (if used), and any external interfaces (DPM, DDR, etc.) should be installed and operational that will be used in Suite 1.

Default Suite Prefs should also be defined and saved under a file name identifying its use for Suite 1. A default User Prefs file should also be defined and saved identifying it as a default setting for Control Surface A of Suite 1. All these files will become the starting point from which changes will be made to make full use of Resource Sharing.

When the above is accomplished and basic system functionality is confirmed, you can then activate Multi Suite mode, set up Suite 2, and more easily troubleshoot any configuration issues that may arise.

If you will be adding new Kalypso system components for use with Resource Sharing, all these components must be installed and configured on the network, using valid IP addresses. All control surfaces participating in Resource Sharing will also need to be in communication with the same Kalypso Video Processor frame. After the primary Main panel has been installed and its connectivity verified, one new panel should be installed and its connectivity also verified before you install any additional panels. This will make it easier to troubleshoot any IP addressing problems that may occur.

### General Procedure

#### Prepare Worksheet

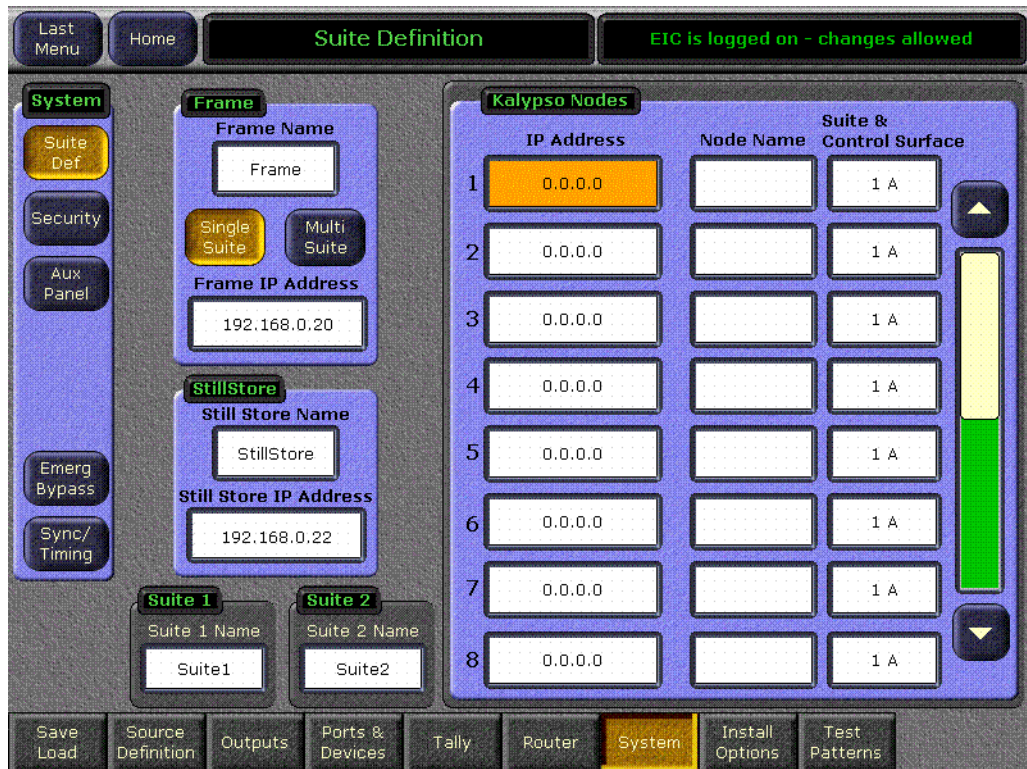
A worksheet is helpful for planning your multi-suite installation and configuration. The worksheet should list all panels and PCs running the Menu application, their IP addresses, and their Suite and Control Surface associations (if any). It should also list all Remote Aux panels, which Suite they belong to, and which Control Surface (if any) they should be associated with. Physical outputs should also be listed with their Suite association and which Fixed output or Aux bus they are associated with. This list should also list the destination of the output (main program out for the suite, Aux bus feeding the studio monitor wall, etc.).

## Configure Control Surfaces

Control Surface definitions are part of Engineering Setups, apply to the entire Kalypso system, and so affect both suites.

1. Logon as the EIC using the Menu panel associated with what will be Suite 1.
2. Touch **Eng Setup, System, Suite Def** to go to the Suite Definition menu (Figure 142).

Figure 142. Suite Definition Menu, Initial Display

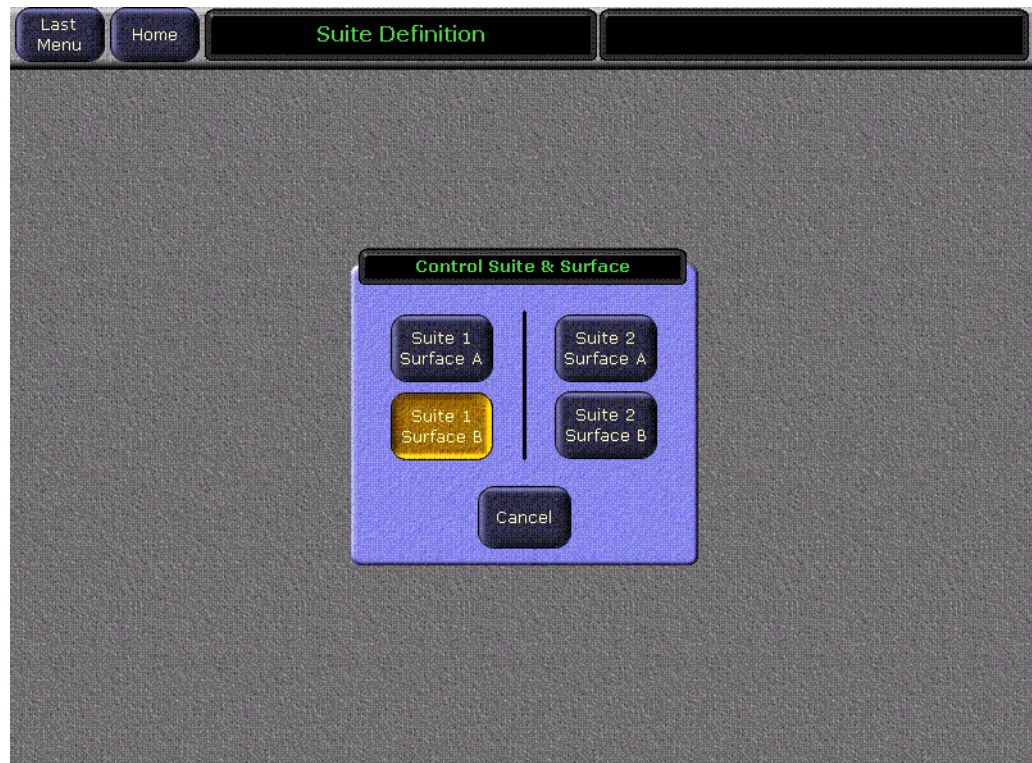


**CAUTION** When logged in as the EIC, changes made to the Kalypso Node scrolling list of IP Addresses are sent to the Video Processor frame as they are entered. The existing IP connections used by the frame are retained temporarily, but resetting that node's device or the frame imposes the new address and the previous connection will be lost.

3. Enter the IP addresses of all Kalypso system components to be used as nodes for Resource Sharing with the IP Address data pads in the scrolling list. It is essential this information (at least for the Menu panel used for configuration) is entered before the frame is rebooted in Multi Suite mode, to ensure access to the system from that Menu panel. In Multi Suite mode panels will not connect to the frame unless their IP addresses are in the Node list.

- Note** The IP address fields in the scrolling list determines which panels are allowed to connect to the Video Processor frame, and any changes take effect when the frame is reset. These IP address fields are different from those in the Frame and Still Store panes, which apply to the Menu panel and take effect when the Kalypso Menu application is reloaded or the Menu panel is reset.
4. Name both suites in the Suite data pads at the bottom of the menu, and name each node with the Node Name data pads in the scrolling list. While naming suites and nodes is optional, it can help clarity where components are located, helping both users and the EIC.
  5. Select the suite and control surface each node will be associated with by touching the labeled data pad in the scrolling list. Control Suite and Surface buttons will be displayed permitting this selection ([Figure 143](#)).

Figure 143. Control Suite and Control Surface Selection



6. Select **Multi Suite** mode (Figure 144).

Figure 144. Suite Definition Menu Example

The screenshot shows the 'Suite Definition' menu with the following configuration details:

- System:** Suite Def, Security, Aux Panel, Emerg Bypass, Sync/Timing
- Frame:**
  - Frame Name: Kal-Bay 1
  - Single Suite (unselected), Multi Suite (selected)
  - Frame IP Address: 192.168.0.20
- StillStore:**
  - Still Store Name: Bay 1 SS
  - Still Store IP Address: 192.168.0.22
- Suite 1:** Suite 1 Name: Suite1
- Suite 2:** Suite 2 Name: Suite2
- Kalypso Nodes Table:**

IP Address	Node Name	Suite & Control Surface
192.168.0.25	Live 4M/E Menu	1 A
192.168.0.26	Live 4M/E Pnl	1 A
192.168.0.27	Live 4M/E AUX	1 A
192.168.0.35	Edit 2M/E Menu	2 A
192.168.0.36	Edit 2M/E Pnl	2 A
192.168.0.37	Edit 2M/E AUX	2 A
192.168.0.45	Live 1M/E Menu	1 A
192.168.0.46	Live 1M/E Pnl	1 A
- Bottom Menu:** Save Load, Source Definition, Outputs, Ports & Devices, Tally, Router, System (highlighted), Install Options, Test Patterns

7. Reset the Video Processor frame. The Kalypso system will boot to Multi-Suite mode. On the first bootup with this new configuration all system resources will be assigned to Suite 1.
8. Configure the following Engineering settings for use with suites, following the normal procedures described in the Kalypso Installation and Service Manual. Some of these settings now require specifying Suite and Control Surface selections:
  - Outputs (assign fixed, switched preview, and any logical Aux bus outputs for each suite, being sure to connect the newly configured program and preview outputs to monitors in the new second suite),
  - Ports & Devices (assign GPI outputs and Editor ports for each suite, if used),
  - System, Aux Panel (assign Remote Aux panels a suite, and select a control surface or have that Aux panel be independent.), and
  - Tally (assign tally relays and tally calculations for each suite, if used).

9. If a Kalypso system is run in Multi-Suite mode, restricted access to Eng Setups changes is essential (menu accessed via **Eng Setup, System, Security**). Without restrictions, an operator at any control surface can load an Eng Setup file that could remove the other suite's node information and/or switch to single suite mode. This could seriously impact operations in the other suite.
10. Save this Eng Setup configuration to disk, naming the file to identify it as the new default multi- suite engineering configuration for the facility.

### Configure Defaults for Each Suite Preference

A Suite configuration applies to a suite, so you will configure each suite independently. The Suite Pref settings established here will be saved as defaults, so that each suite can be placed in a known state. Once in this state, modifications can be made for particular shows or projects.

1. On a Menu panel of Suite 1, go to the Acquire menu (**Daily Setups, Acquire**).

You will next select the devices desired for this suite's default. Which devices are selected for this new default depends on your individual facility. For example, if there are 4-M/E and a 2-M/E Main panels in separate rooms, you may want each suite to start with two M/Es, one a logical PGM PST and the other a logical M/E 3. Similarly, you could divide the remaining resources so that there are logical equivalents in each suite. For example, both suites could have a logical Bkgd 1 matte. This approach essentially creates two switchers, and effects built in one suite will run in the other suite. Alternatively, if you have 4-M/E and a 1-M/E Main panels, you may wish to start by giving three M/Es to the larger switcher and one M/E to the smaller. The EIC needs to discuss common needs with the TDs who will be using the Kalypso system and arrive at the exact settings for these defaults.

2. Select one of the logical devices in the scrolling list on the left (Pgm-Pst, for example), and then touch **Desired** to indicate you wish to use that device in the suite.

- Continue specifying only the desired logical devices, then touch **Release Undesired** to free unwanted resources, and touch **Acquire Desired** to acquire only those resources (Figure 145). The other resources will be available for use by the other suite.

Figure 145. Acquire Resources Menu Example



- A message will appear if all the desired resources could not be acquired. If this occurs, scroll through the list on the left to identify the missing resources. Desired devices that are not acquired are colored red. To resolve the problem, you can contact the other suite and ask to have those resources released, or if a resource isn't really needed you can mark it as undesired.
- Make any other necessary adjustments to the remaining Suite Prefs for Suite 1. No changes may be required, since these settings are the same as were set previously in single suite mode. However, this may not be the case. For example, you may want to set source patching to unity with no logical names or nicknames, so that all sources are initially named the same.
- Save this Suite Pref to disk, being sure to name the file so you can identify it is for Suite 1. Note that the desired resource list is saved. The actual current acquisitions are not saved as part of a configuration file, but are non-volatile and are restored after reset.



**Note** Suite Prefs files should be saved as profiles for fast access, by saving them to the Frame:C:\User\profiles\suite or Zip Drive:\profiles\suite default directories. The names of the files appear in the scrolling list in the Profiles menu, so naming them for easy recognition is important.

7. On a Menu panel of Suite 2 (either work on the actual panel, or Login as the EIC to access that suite), go to the Acquire menu, set the desired resources, and touch **Acquire Desired** to acquire those resources. Then scroll through the list to ensure all the desired devices have been acquired. If there are any resource conflicts, you can dynamically share a resource between the suites by acquiring it when needed and releasing it when done.
8. Make any necessary adjustments to the Suite Prefs for Suite 2.
9. Save this Suite Pref to disk, naming the file so you can identify it is for the defaults for Suite 2.

**Note** Suite Prefs files should be saved as profiles for fast access, by saving them to the Frame:C:\User\profiles\suite or Zip Drive:\profiles\suite default directories. The names of the files appear in the scrolling list in the Profiles menu, so naming them for easy recognition is important.

Later, when you build the Suite Preference for a particular show, you can add or remove desired resources to meet your individual requirements and save that Suite Pref named with the show title and suite name.

### Configure User Prefs for Use In A Control Surface

Up to two control surfaces can be defined for each suite. Each control surface operates with its own User Prefs. The same User Prefs file can be loaded onto any control surface, or different configurations can be defined and saved for each control surface. Which approach is used depends on your facility requirements and the individual operator's working style.

1. On a Menu panel of a control surface of Suite 1, go the various User Prefs menus (accessed via **Daily Setups, User Prefs**) and set them as desired. In particular, you may want to set different button mappings on the Main panel and Local Aux panel buses for that control surface.
2. Save this User Pref to disk, naming the file so you can identify it is was defined for that suite and control surface.

**Note** User Prefs files can be saved as profiles for rapid access, by saving them to the Frame:C:\User\profiles\user or Zip Drive:\profiles\user default directories. The names of the files appear in the scrolling list in the Profiles menu, so naming them for easy recognition is important.

3. If you wish to use different User Prefs for different control surfaces, either in the same suite or in different suites, use a Menu panel associated with each control surface to setup the User Prefs and save these file to disk, naming each so you can distinguish them from the others.

## Login to Another Control Surface or Suite

With an EIC login, a Menu panel of a control surface in one suite (or a PC running the Menu application) can be used to access the other suite or the other control surface in the same suite, if necessary. This makes it possible to, for example, modify the suite or user preferences for a control surface lacking a menu application, like a 1 M/E Main panel.

EIC login also permits the manual reallocation of resources from any location. For example, suppose one suite acquired resources for a session, finished work, and was abandoned without releasing those resources. The EIC can login to that suite using a panel located in the other suite and release the needed resources. After logging back into the original suite, he can then acquire and use those released resources.

Logging off and back on restores the menu to its normally specified control surface.

## Engineering Setup Recommendations

### Restrict Eng Setup Changes

Eng Setup Changes should be restricted, especially if you are running in Multi Suite mode, because of the changes to Kalypso system behavior that result when Eng Setups are changed or loaded. It is recommended the EIC impose this restriction if it has not already been done. This is accomplished in the Security Account Setup menu accessed via **Eng Setup, System, Security**.

### Do Not Change the Suite Operating Mode

If a Kalypso system is configured to use Resource Sharing, it should be set to Multi Suite mode and left in that state. There is no need to change modes, since even in Multi Suite mode the Kalypso system can operate with all resources assigned to a single suite, same as for earlier Kalypso software versions.

**CAUTION** While it is possible to switch between modes, hardware resets are required and Node configuration information will be lost. If a second suite has been configured, switching to Single Suite mode also takes all Suite 2 outputs to black, assigns all resources to Suite 1, and gives all control surfaces, including those in Suite 2, access to all the resources now residing in Suite 1. A button press in another room could then change the on-air output of the Kalypso system! Any additional control surfaces should be disconnected from the network if for some reason you must switch to Single Suite mode.

## **Eng Setups Only Load Into Same Suite Mode**

Eng Setup files can only be loaded into a Kalypso system running in the same Suites mode as that Eng Setup file. This prevents the operational problems described above. Attempts to load an Eng Setup file set to a different mode will abort and an **Attempt to change suite mode!** message will be displayed. Note that Eng Setup files created with versions before 8.0 are considered Single Suite configurations, so they cannot be loaded into a Kalypso system running in Multi Suite mode. If you must load a different Suite Mode Eng Setup file, select the same mode before loading the file.

## **Enhanced Network Security**

Even if your Kalypso system does not have multiple panels arranged in two suites, you may wish to operate your system in Multi Suite mode for enhanced network security.

In Single Suite mode, any PC on the Kalypso network running the Kalypso Menu application can connect to the Kalypso Video Processor frame and controls its operation remotely. Obviously this can compromise on-air operations.

In Multi Suite mode, only devices with IP addresses set in the Suite Definition menu are allowed to control its assigned part of the Kalypso system. By default all resources are assigned to Suite 1, so this suite should be specified for all Kalypso nodes.

# **Main Panel Adjustments**

System control panels are set at the factory for optimum performance, and generally do not require adjustment. The following procedures are provided should changes be required.

## 4-M/E and 2-M/E Main Panels

### Source Name Display Contrast Adjustment

Source name display LCD contrast can be adjusted and the hardware type installed can be set on each eight source segment on the Main panel.

1. Press and hold down the **Unshift**, **Shift**, **Near Side**, and **Far Side** buttons on M/E 1 for five seconds to bring up the Top Menu on the PGM PST source name display. The source buttons labeled **IP Config**, **Disply Adj**, **Calibrate**, and **EXIT** will illuminate.

**Note** Since contrast and viewing angle are interdependent, it is recommended that you stand or sit in front of the panel in a position that suits normal panel operation while adjusting LCD contrast.

2. Press **Disply Adj** to enter the source name display contrast adjustment mode. In this mode the **Key Split** button flashes, and the right two source buttons of each segment go high tally. These source buttons will be labeled **Up**, **Down**, and have a number readout on the left (assuming the contrast is already adjusted for readability).
3. Pressing the **Up** source button increases the opacity for that segment, and increments the number readout one step. Pressing the **Down** button does the opposite. Holding down a button does not scroll the settings. The system beeps when a control reaches its upper or lower limit (the display will not be readable at that time).

**Note** You must be running Kalypso 12.0.2 or newer software to select the Source Name Display hardware type. Earlier software versions lack this feature.

4. With the contrast adjusted for text readability, you can now select which type of source name display hardware is installed. Each display has one high tally button labeled either **Old** or **New**. If the text does not display properly, touch that button to select the other hardware setting.
5. After making contrast adjustments and hardware type selections on the panel, press the flashing **Key Split** button to return to the Top Menu.
6. Press **Exit** to exit the Top Menu. The Main panel automatically reboots and returns to normal operation.

### Lever Arm and Joystick Calibration

The Main panel lever arms and joystick can be calibrated from the Main panel.

1. If necessary, press and hold down the **Unshift**, **Shift**, **Near Side**, and **Far Side** buttons on M/E 1 for five seconds to bring up the Top Menu on the PGM PST source name display. The source buttons labeled **IP Config**, **Disply Adj**, **Calibrate**, and **EXIT** will illuminate.

2. Press **Calibrate** to enter calibration mode. Lighted PGM PST Source buttons are labeled with all the lever arms and the joystick.
3. To calibrate a lever arm, press the labeled button of the desired lever. Calibration values display and a button labeled **Calibrate** flashes.
4. Press the flashing **Calibrate** button. Directions for the procedure are displayed. Move the lever to its lower limit, press a lighted button labeled **Press**, then move the lever to its upper limit, again pressing the button labeled **Press**. The values of each limit are displayed.
5. To calibrate the joystick, press the **Joystick** button. Calibration values are displayed and a button labeled **Calibrate** flashes.
6. Press the flashing **Calibrate** button. Directions for the procedure are displayed. Move the joystick up, down, left, right, clockwise, and counterclockwise. After all the direction limits have been reached, press the labeled **Press** button. Release the joystick to allow it to find its neutral position and press the labeled **Press** button.
7. Press **Exit** to exit the Top Menu. The Main panel automatically reboots and then returns to normal operation.

## Speaker Volume Adjustment

The Kalypso system Main panel includes a small speaker that beeps when, for example, a knob hits a limit. The speaker is located inside the Main panel, on a module mounted to the underside of the lid. A large knob located next to the speaker is available for adjusting the volume.

## 1-M/E Main Panel

### Source Name Display Contrast Adjustment

1. Press and hold down the **Unshift**, **Shift**, **Near Side**, and **Far Side** Source Select Modifier buttons for about five seconds. The source name display will read **Top Menu** on the left, with lighted source buttons on the right labeled **IP Config**, **Dsply Adj**, **Calibrate**, and **Exit**.
2. Press the **Dsply Adj** button to place the panel in display adjust mode. In this mode you use three Menu soft knobs to adjust the backlight of both source name displays, and adjust the contrast of the individual left and right displays. Be sure your adjustments are made under the lighting conditions used during production.
3. Turn the labeled knob to adjust backlight and contrast. The adjustment range is limited and the location of this range varies for individual display hardware, so there are no recommended values. Knob response is slow and the illumination level of the displays also changes slowly. Allow time for the settings to take effect.

4. With the contrast adjusted for text readability, you can now select which type of source name display hardware is installed. Each display has one high tally button labeled either **Old** or **New**. If the text does not display properly, touch that button to select the other hardware setting.
5. After making contrast adjustments and hardware type selections on the panel, press the flashing **Key Split** button to return to the Top Menu.
6. Press **Exit** to exit the Top Menu. The Main panel automatically reboots (**PNL RST ING** is displayed), using the new settings if they were saved.

## Lever Arm and Joystick Calibration

The Lever Arm and Joystick are calibrated at the factory before shipment. If lever arm controlled transitions do not complete reliably, the lever arm may need to be calibrated.

1. Press and hold down the **Unshift**, **Shift**, **Near Side**, and **Far Side** Source Select Modifier buttons for about five seconds. The source name display will read **Top Menu** on the left, with lighted source buttons on the right labeled **IP Config**, **Dsply Adj**, **Calibrate**, and **Exit**.
2. Press the **Calibrate** button to place the Main panel in calibrate mode. In this mode you set the limits for the Lever Arm and Joystick. The last four source buttons light and are labeled **ME LEVER**, **JOYSTICK**, **SAVE EXIT**, and **EXIT ONLY**.

**Note** The Joystick is not operational in Release 7.6 and should not be calibrated. Attempts to do so may freeze the 1-M/E panel, which will then require a reset.

3. Press **ME LEVER** and follow the instructions displayed, moving the lever arm to its lower limit, pressing the flashing source button, then moving the arm to its upper limit and pressing the flashing source button again.
4. Press **SAVE EXIT** to save the settings and return to the Top Menu.
5. Press **Exit** to exit the Top Menu. The Main panel automatically reboots (**PNL RST ING** is displayed), using the new settings if they were saved.

## Local Aux Panel Adjustments

### Source Name Display Contrast Adjustment

For use on 4-M/E Stand Alone or 2-M/E integrated Local Aux panels.

1. Press and hold down the **Unshift**, **Shift**, **Near Side**, and **Far Side** buttons on the upper Local Aux panel bank for five seconds to bring up the Top Menu on the Local Aux panel.

**Note** The four button hold-down on the lower Local Aux panel bank does not activate the calibration mode. You must use the buttons on the upper bank.

2. The source buttons labeled **IP Config**, **Disply Adj**, **Calibrate**, and **EXIT** will illuminate on the Local Aux panel. Follow [Step 2](#) through [Step 6](#) of the 2 or 4-M/E calibration procedure on [page 204](#) to adjust the display contrast and select the hardware type.

## Menu Panel Display Calibration

System control panels are set at the factory for optimum performance, and generally do not require adjustment. The following procedures are provided should changes be required.

### Enhanced Menu Panel

#### Touchscreen Calibration

The Enhanced Menu panel display is aligned using a software tool provided by the display manufacturer using standard Windows XP/2000 procedures.

To calibrate the Menu panel display, press **My Computer\Control Panel\Pointer Devices**.

Press the **Calibration** tab and then press the **Calibrate** button. Follow the instructions displayed on the screen, and when done touch **OK**.

#### Display Settings

The Windows XP/2000 **Display** settings have been set to factory defaults as follows:

- **Screen Area:** 800 x 600 pixels
- **Colors:** High Color (16 bit)
- **Display Type:** Default Monitor

#### Refresh Frequency Adjustment

To adjust the refresh frequency:

1. Open **My Computer\Control Panel\Display**.
2. Press the **Settings** tab and then press the **Advanced** button.

3. Press the **Monitor** tab and adjust the frequency rate. Refresh frequency should be set at 60 Hz or 75 Hz.

## Original Menu Panel

### Touchscreen Calibration

The original Menu panel display is aligned using a software tool provided by the display manufacturer using standard Windows NT procedures. To calibrate the Menu panel display, press **My Computer\Control Panel\Pointer Devices**.

Press the **Calibration** tab and then press the **Calibrate** button. Follow the instructions displayed on the screen, and when done touch **OK**.

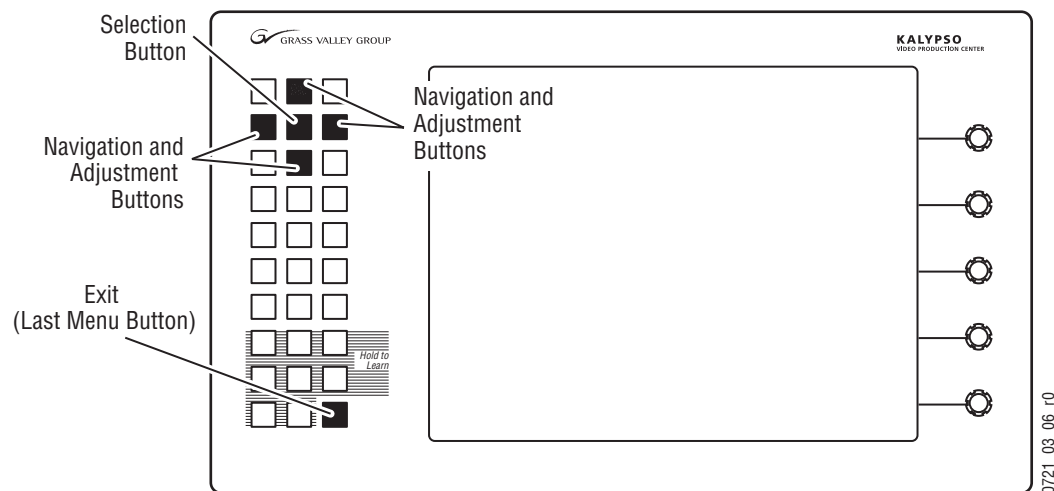
### Panel Display Adjustments

The original Menu panel permits control of several display settings, including contrast, brightness, and phase. These controls are not needed on an Enhanced Menu panel.

**Note** Frequency and Phase are critical adjustments set at the factory that should not need to be changed.

When the adjustment program is active, menus of various parameters are displayed on the Menu panel screen. Six buttons light on the Menu panel. Five buttons are arranged in a cross pattern (+) at the top. The four outer buttons are used for navigation and parameter adjustment. The center button of this group is used to select menu items. A single exit function button (**Last Menu**) is lighted on the lower right (Figure 146).

Figure 146. Original Menu Panel Screen Adjustment Control Buttons





### To Adjust the Menu Panel Display:

1. While in Windows, double click on the **Adjust Display** shortcut on the desktop. Six buttons illuminate on the Menu panel.
2. Press selection button to display the menu then press the navigation and selection button in turn to display and select the parameter(s) to adjust.
3. Adjust the settings up or down with the adjustment buttons.
4. When done making changes, exit the adjustment menu by selecting the **Exit** menu item, and then press the **Last Menu** exit function button on the Menu panel.
5. Restart the Menu panel to clear the illuminated buttons and restore normal operation.

### Adjusting Frequency and Phase

Frequency and phase adjustments are critical for legibility. The factory settings should provide satisfactory performance. The correct setting can only be made by displaying a test screen and knowing exactly what to look for.

#### Phase Adjustment Procedure

Phase adjustment can cause columns of the display to blur while others remain sharp. To see this clearly, a full screen of small text must be displayed and the phase carefully adjusted so that none of the columns blur. This should be close to the setting that fills the screen horizontally, but there is some variation in this correlation.

Phase should be set midway between the two extreme values that tear the display.

#### Frequency Adjustment Procedure

To adjust the refresh frequency, press **Start\Settings\Control Panel\Display**.

Press the **Settings** tab and adjust the frequency rate. Refresh frequency should be set at 56Hz or 60 Hz.

## Windows NT Accounts

The Kalypso system original Menu panel is pre-configured to automatically logon to NT as user "kalypso", with password "kalypso". Logging on with this account automatically starts the Kalypso Menu and OmniBus software. This default logon account should always be used for normal system operation and for software update procedures, since any configuration changes are saved to the current account.

Should there be a problem, it is possible to logon under a different account that does not automatically run Kalypso or OmniBus software. This should only be done for troubleshooting purposes. The other account (“administrator”) can be accessed by holding down the keyboard **Shift** key during automatic logon. The standard Windows logon prompt appears, allowing you to type user “administrator” and password “kalypso”.

**Note** If you use the administrator account, before resuming system operation or software loading you must log off, then log back on as user “kalypso”. Log off, hold down the **Shift** key during auto logon, and at the prompt logon as user “kalypso”, password “kalypso”.

Kalypso system Enhanced Menu panels run Windows XP/2000 and automatically logs on with all administrative privileges enabled.

# *Maintenance*

## **Introduction**

This section provides routine maintenance information for servicing the Kalypso Video Production Center, including the Video Processing frame, Control Surface components, the Video Processor Power Supply, and the Main panel Power Supply.

## **Servicing Precautions**

Before performing any type of maintenance or troubleshooting of the Kalypso Video Production Center, read the complete [Safety Summary](#) at the front of this manual. The Safety Summary describes all of the pertinent safety issues and recommended precautions for working with the Kalypso Video Production Center.

## **Tools Required**

Many of the system installation tools listed in *Required Tools* on [page 51](#) may be required for maintenance procedures. Most assemblies described in this section use Torx #10, #15 or #20 screwdrivers.

## **Troubleshooting and Diagnostics**

The Kalypso Video Production Center is designed for ease of service and includes a number of status indicators and diagnostic functions to allow fast and effective troubleshooting of the system. This information is for troubleshooting a Kalypso system that was installed and working properly prior to experiencing any failures. U

**Note** If a module or assembly needs to be replaced in the field, check *Appendix B-Field Replaceable Units* for replacement notes for that assembly. Some assemblies have special field installation instructions.

## Grass Valley Customer Service FAQ Database

Many answers to common questions can be found by searching the Grass Valley Customer Support Frequently Asked Questions (FAQ) database. Instructions for accessing the FAQ database can be found on the copyright page at the front of this manual.

## Grass Valley Web site

The URL for the Grass Valley web site can be found on the copyright page at the front of this manual. Visit the website for documentation, software, online support (including FAQs), spare parts information, and a link to the File Transfer Protocol (FTP) site.

## Web Browser Access to Kalypso Components

Web browser access is available for the Kalypso system. Using any web browser able to access the Kalypso network, type the Video Processor frame IP address in the browser's Address field to view the following:

- Software Versions now installed on the Kalypso system ([Figure 147](#)),
- Frame Status of all Video Processor frame components,
- Frame Message Log (intended for troubleshooting),
- Frame Network Addresses, including Still Store, which can be viewed and set,
- Frame Date and Time, which can be viewed and set,
- Still Store Message Log, Date and Time
- RT Panel Message Log, Network Addresses, and Date and Time, and
- Aux Panel Message Log, Network Addresses, and Date and Time.

Figure 147. Kalypso Software Versions

The screenshot shows the 'Kalypso Web Access' interface. On the left is a navigation menu with links: [Software Versions](#), [Frame Status](#), [Frame Message Log](#), [Frame Network Addresses](#), [Frame Date and Time](#), [Stillstore](#), [Aux Panel](#), and [RT Panel](#). The main content area is titled 'Current Software Versions' and contains a table with the following data:

Processor	Version	Date
Frame	V9.0.0	Jun 16 2003 11:41:26
RT Panel	V9.0.0	Jun 16 2003 04:35:56
Menu Panel	V9.0.0	Jun 16 2003 09:55:53
Aux Panel	V9.0.0	Jun 16 2003 03:37:48
Still Store	.	..

## Frame Software Diagnostics Tools

### Diagnostics Data File Transfer

A **Grab SW Diag Data** button has been added to the Status and Diagnostics menu. This button provides a convenient method to save the current configuration files (Eng Setup, User Prefs, Suite Prefs), E-MEM, Macro, and also any frame software diagnostics data files that may exist (see Diagnostic Data Collection below). If you need to contact Grass Valley for assistance about any software problems, the engineering team will need these files for efficient troubleshooting.

Figure 148. Status - Versions Menu



Pressing the **Grab SW Diag Data** button opens a file browser window. After selecting the destination for the files, pressing the **Save SW Diag Data** button on this browser menu initiates the file copy process. The time required to transfer the files varies depending on the amount of data being saved, and may take a couple minutes. The Kalypso Main and Aux panels can be operated during the file transfer process. However, it is recommended not to exit from the browser menu while the files are being copied. A SW Diag Data directory will be created for the files. If a directory of that name already exists at that destination, it will be overwritten. After the files have been copied, the entire contents of the directory should be compressed into a .zip archive. Grass Valley Customer Service can provide instructions on how to send this information to the Kalypso engineering team for analysis.

## Diagnostics Data Collection

Kalypso systems incorporate internal code that gathers information should software problems occur. If the Video Processor frame crashes, extensive data detailing the current state of the frame software is automatically logged onto the frame hard drive. This data can help the Kalypso engineering team quickly address the problem. The information is retained indefinitely, but is overwritten should another frame crash occur.

Kalypso systems running version 9.1.5 or later software have an additional internal diagnostic tool available that can force the logging of the state of

the frame software at any time. To accomplish this, the frame software must be halted and a frame reset will be required to resume system operation.

**CAUTION** The Diagnostics Data Collection tool should only be used under the guidance of Grass Valley Customer Service or the Kalypso engineering team.

The tool is activated by turning the Kalypso Video Processor frame COM Boot Dial switch to **6** (six) and leaving it there for more than one second. Do not reset the processor at this time. The processor will halt and the status LEDs on the module will count in binary as the diagnostic information is written to the frame hard drive. When all of the data is recorded (about 30 seconds), the counting stops and all the frame's CPU status LEDs will illuminate. The COM boot dial switch should then be set back to **0** (zero) and the frame reset. The Kalypso system will then return to normal operation.

## Video Processor Frame Maintenance

**CAUTION** Do not operate the Video Processor frame with its doors open for an extended period of time. Failure to observe this precaution may result in improper air flow and cause components to overheat.

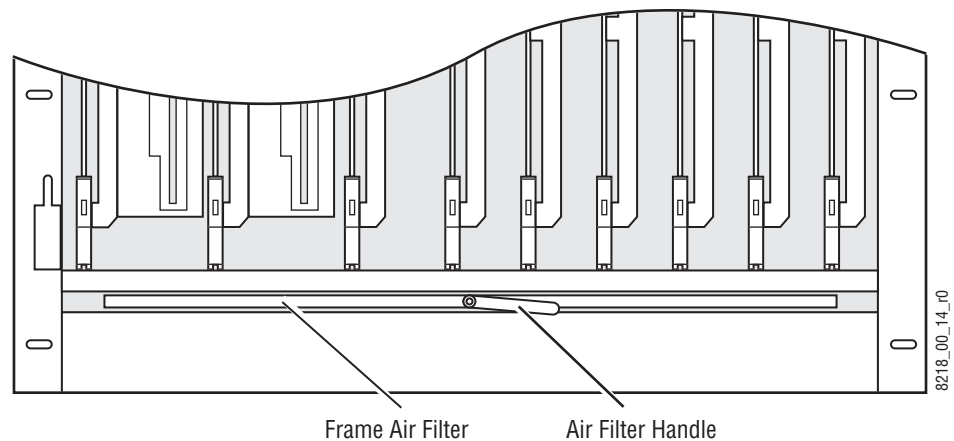
### Video Processor Frame Air Filter

The Video Processor frame contains a removable air filter that reduces the accumulation of dust on the circuit boards. The air filter should be removed and cleaned periodically.

To clean the frame air filter:

1. Open the front door of the Video Processor frame and locate the air filter located at the bottom of the frame (Figure 149).

Figure 149. Video Processor Frame Air Filter



2. Remove the filter by pulling the white plastic handle at the front center of the filter. Pull the filter out slowly, making sure the metal netting on the top of the filter does not catch on the frame.
3. Vacuum the filter and/or wash it in a warm water soap (not detergent) solution.
4. Rinse the filter thoroughly with fresh water, and air dry completely.
5. Squeeze the four inside metal edges of the filter between your fingers in several locations prior to inserting the filter in the frame. This will make the filter easier to remove and replace.
6. When the filter is completely dry (if washed), reinstall it into the frame with the metal netting on top. Close the front door of the frame.



## Removing and Replacing Frame Modules

Modules in the Kalypso Video Processor frame are not designed to be repaired in the field unless a repair is authorized by Customer Service, usually in the form of a *Field Modification Note*. Failed modules should be replaced.

A list of available Field Replaceable Units (FRUs) is provided in *Appendix B-Field Replaceable Units*. This list also provides important replacement notes and installation information for each type of assembly.

If you need to remove or replace a module in the Video Processor frame, refer to the module location illustrations in [Figure 43 on page 64](#) (frame front) and [Figure 44 on page 65](#) (frame rear), *Module Insertion on page 72* and *Module Removal on page 72* in *Section 2-Installation*. All frame modules can be removed and replaced without powering down the frame.

**CAUTION** All modules are subject to static damage when removed from the frame. Always use recommended anti-static precautions when handling modules.

## Field Upgrading of Frame Modules

Kalypso frame modules are designed with field programmable circuitry that allows firmware upgrades to be done in the field over the Facilities LAN during a software download. Any specific upgrade instructions will be included in the *Kalypso Release Notes* that accompany each software update.

## Frame Recovery Procedure

If you are having serious problems with your Kalypso HD Video Processor frame, you can use the following recovery procedure. Use this procedure only after all other troubleshooting procedures have been attempted.

**CAUTION** The frame recovery procedure reformats the Video Processor frame hard drive and removes all applications and files including User and Suite configuration files and saved E-MEMs. After running this procedure you will need to reinstall the Kalypso Video Processor frame software and reconfigure your system.

This procedure uses the Kalypso HD Frame Recovery Disk boot floppy provided with the Kalypso HD system.

### Save Files to Zip Disk

If you still have communication between the Menu panel and the Video Processor frame, save any configuration files and E-MEMs to Zip disk if you have not done so already.

### Reformat Frame Hard Drive

1. Open the front door to the Video Processor frame and set the Control module **COMM** Boot dial switch to position **1**.
2. Insert the Kalypso HD Frame Recovery Disk into the floppy drive on the Control module.
3. Press the Control module **Reset** button.

It will take approximately five minutes to reformat the hard drive. The green light on the floppy disk drive will go on and off three times. There is no other indication that the process has completed so be sure and wait at least five minutes before removing the disk.

4. When the process is complete, remove the floppy disk and, with the rotary Boot switch still set to position **1**, press the Control module **Reset** button. Allow 45 seconds for the Video Processor frame to fully restore communications.

### Reinstall Frame Software

1. Follow the software installation procedure described in the Kalypso Release Notes to reinstall only the Video Processor frame software using the Kalypso Software Release CD.
2. When prompted to reset the Video Processor frame, set the Control module **COMM** Boot switch back to position **0** before pressing the **Reset** button.

You should now be able to test basic Kalypso system operation (see below) and then complete system reconfiguration (ideally by simply loading in your saved configuration files).

### Verify Overall System Operation

Once network communication is established with all Kalypso system components, do the following to verify proper system operation:

1. To verify Video Processor frame to Main panel communication, change crosspoints and check that the video changes.
1. To verify Main panel to Menu panel communication DPOP some buttons (such as any of the **Wipe** buttons) on the Main panel to make sure the proper menus come up on the Menu panel.
2. To verify Menu LAN communication, make changes on a menu in the Menu panel, such as select a matte key in one of the M/E keyers, and make sure the corresponding **Matte** button lights on the Keyer subpanel on the Main panel.

## Reload Saved Files From Zip Disk

1. If you were able to save your configuration files to Zip disk, reload the configuration files.

If you previously saved your configuration files exclusively to the Video Processor frame hard drive (and not also to a Zip drive as recommended), the configuration files no longer exist. You will need to reconfigure your system as explained in *Section 3-Configuration*.

2. When the Kalypso system is properly configured, save the new system configuration files to both the Video Processor frame hard drive and a Zip disk and store the Zip disk in a safe place. If saving to a Zip disk that contains an older software version, do not overwrite the files in case you want to revert to a previous version.

**Note** It is recommended that you verify that your effects run properly. If there are differences, you will need to edit or rebuild the effect.

## Kalypso HD/Duo Still Store Recovery

If you are having serious problems with your Kalypso HD/Duo Still Store, you can use the following recovery procedure. Use this procedure only after all other troubleshooting procedures have been attempted.

This procedure uses the Kalypso HD/Duo Still Store Recovery floppy disks, provided with newly shipping Kalypso HD/Duo systems and available from the Thomson Grass Valley software downloads website.

The Still Store recovery procedure reformats the hard drive and removes all applications and files, including any still images and animations. After running this procedure you will need to reinstall the Kalypso Still Store software, and you will also need to replace all the image files. If the images have been saved to another drive they can be copied back to the Still Store hard drive over the network.

## Save Files to Menu Panel

If you still have communication between the Menu panel and the Still Store, save any important image files to the Menu panel hard drive if you have not done so already. This can be done using the File Operations menu, or directly using FTP. You cannot save Still Store images directly to the Menu panel hard drive using the Still Store menus. Be sure to also copy the metadata file for each still or animation. Because of the large amount of data involved, copying an animation can take a long time.

## Reformat Still Store Hard Drive

1. Open the front door to the Video Processor frame and set the COMM boot dial switch on the Still Store module to position one (1).

**Note** Do not confuse the Control Processor module located in slot 1 with the Still Store module located in slot 2. The Still Store Module is on the right and does not have an on/off switch.

2. Insert the first Still Store Recovery Disk into the floppy drive on the Still Store module.
3. Press the Still Store module **Reset** button.
4. Wait one(1) minute for the floppy disk to be read.
5. Remove the first disk and insert the second Still Store Recovery Disk.
6. Press the Still Store module **Reset** button again. The Still Store hard drive will begin the reformat process. This will take approximately 15 minutes, and the Still Store module must not be disturbed during that entire time. At the end of the process the green light on the floppy disk drive will go on and off.
7. Set the COMM Boot dial switch on the Still Store module back to position zero (0).
8. Press the Still Store module **Reset** button a third time. Allow 45 seconds for the Video Processor frame to fully restore communications.

## Reinstall Still Store Software

1. Follow the software installation procedure described in the Kalypso Release Notes to reinstall only the Still Store software using the Kalypso Software Release CD.
2. When prompted to reset the Still Store module, press its **Reset** button.
3. The Still Store should now appear listed on the Kalypso Status and Diagnostics menu with a valid software version.

You will now be able to test basic Kalypso Still Store operation (see below).

## Verify Overall System Operation

Once network communication is established with all Kalypso system components, do the following to verify proper Still Store operation:

1. Go to the Still Store Create/Edit menu, grab a still, and save it to the default Still Store directory.

2. Go to the Still Store Playback menu and load the still just grabbed to a different Still Store program output.

View that Still Store output on a monitor and confirm that it displays properly.

## Video Processor Power Supply Maintenance

For proper operation, the Kalypso Video Processor frame must have two power supplies installed and operating at all times. Frame power supply modules are not designed to be serviced in the field. If a power supply module fails, replace the entire module. The replacement power supply module can be installed while the system is powered up, in any Video Processor Power Supply Frame slot.

To install a replacement frame power supply:

1. Loosen the Power Supply Locking Screw with a phillips head screw driver(refer to [Figure 47](#)).
2. Pull out the defective supply and carefully slide the replacement supply into the slot.
3. Tighten the Power Supply Locking Screw with a phillips head screw driver.

## Original Video Processor Power Supply Maintenance

For proper operation, the Kalypso Video Processor frame must have two power supplies installed and operating at all times. Frame power supply modules are not designed to be serviced in the field. If a power supply module fails, replace the entire module. The replacement power supply module can be installed while the system is powered up.

To install a replacement frame power supply:

1. Loosen the left and right thumb screws holding the Module Locking Bracket in place ([Figure 107](#)) and slide the bracket up to allow removal of the defective power supply.
2. Pull out the defective supply and carefully slide the replacement supply into the slot.
3. Slide the Module Locking Bracket down into position and tighten the left and right thumb screws to secure the bracket.

## Main Panel Maintenance

The Main panel in the Kalypso Video Production Center requires no routine maintenance.

### Cleaning Control Panel Surfaces

If any of the control panel surfaces require cleaning, use a damp (not wet) cloth. Do not use cleaners or spray anything on any panel surfaces.

### Replacing Main Panel Modules

The electronic assemblies and circuit boards for the Main panels are installed inside the panel tub and panel lid. Refer to *Appendix B-Field Replaceable Units* for a list of replacement assemblies available for the Main panel.

If the assembly you are replacing is a Main panel option, such as the Source Display, refer to *Section 2-Installation* for a detailed procedure.

To remove and replace assemblies in the Main panels:

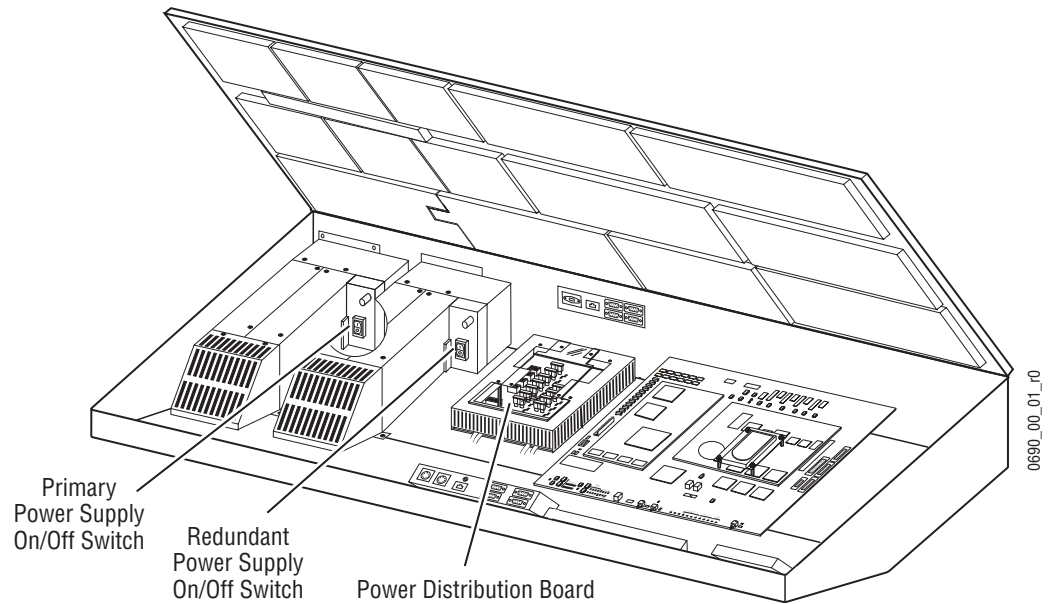
1. Turn off the AC power to the primary and redundant (if present) power supplies on the inside left of the Main panel tub.
2. Locate the assembly to be replaced and remove any control knobs and/or lever arm bars from the top of the panel that could interfere with removal of the assembly.
3. On the inside of the panel, disconnect any ribbon or power cables that are attached to the assembly to be removed. Retain these cables.
4. Using the proper tool, carefully remove any hardware holding the assembly in place and remove the assembly from the panel. Retain the hardware.
5. Install the replacement assembly by reversing the removal steps above.
6. Make sure you have not left any spare hardware or tools inside the panel and the replacement assembly is cabled correctly.
7. Turn power back on to the panel and test the new assembly for proper operation.

## Main Panel Fuse Replacement

**Note** It is not necessary to power down the system to replace a fuse.

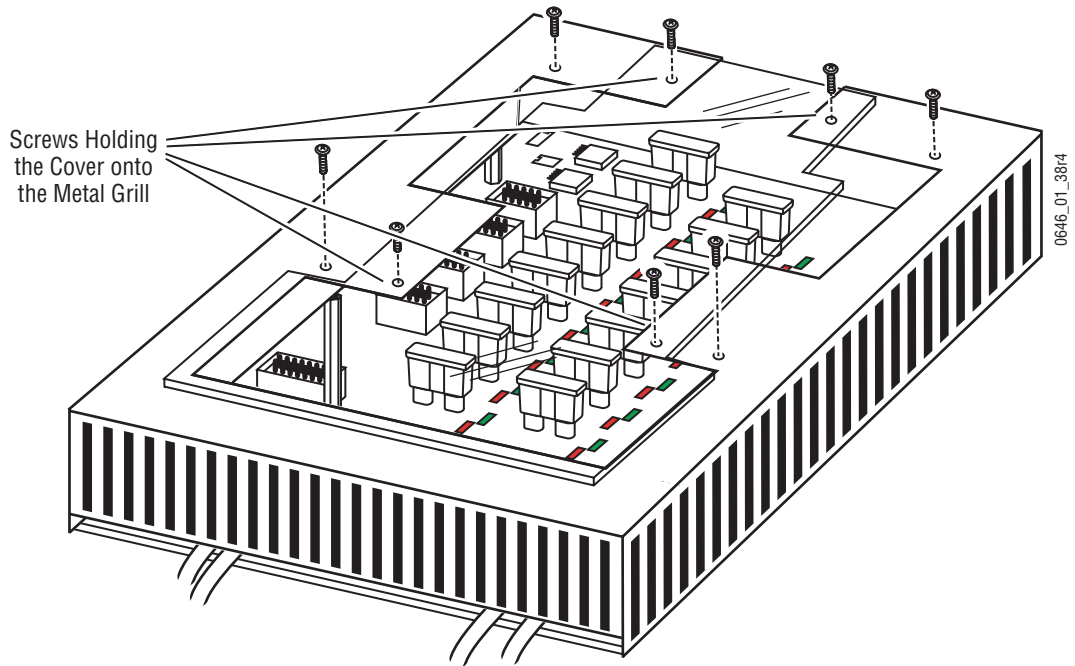
1. Inspect the fuses located on the Power Distribution board inside the Main panel (Figure 150). A red LED indicates that a fuse needs to be replaced.

Figure 150. Power Distribution Board and Power Supply Switches



2. To replace a fuse, use a #15 Torx screwdriver to remove the cover on top of the Power Distribution board by removing four screws (Figure 151).

Figure 151. Removing Cover and Metal Grill (Cabling Not Shown)



3. Remove and replace the fuse and then replace the cover.



## Main Panel Disk-On-Chip and Hard Drive Maintenance

### Drive Types

Different model Kalypso systems have different hardware configurations, and so require different maintenance procedures.

- The latest model Kalypso systems are equipped with a Disk-On-Chip solid state hard drive equivalent for use with the Real Time (RT) processor that drives the Main panel. The RT processor is mounted inside the Main panel. The Enhanced Menu panel used with these systems also has its own Windows OS processor and an IDE hard drive that is mounted inside the Menu panel. On these systems, only the RT processor Disk-On-Chip drive is user serviceable (see *Main Panel RT Processor Disk-On-Chip Replacement on page 225*).
- Earlier model Kalypso systems equipped with the original Menu panel have a Menu panel Windows NT processor with an IDE hard drive mounted on the processor board located inside the Main panel (not in the Menu panel). The separate Main panel RT processor on these systems may use either a Disk-On-Chip drive or an IDE hard drive mounted on that processor board. On these systems The Main panel RT processor drive and the Menu panel NT drive are user serviceable (see *Main Panel RT Hard Drive Replacement* and *Original Menu Panel Hard Drive Replacement on page 227*).
- Some very early model Kalypso systems were equipped with an RT processor IDE hard drive and a Menu panel IDE hard drive mounted separately on brackets inside the Main panel. Contact Grass Valley Customer Service if you have a system of this type that requires drive servicing.

### Main Panel RT Processor Disk-On-Chip Replacement

Later model Kalypso systems are equipped with a Disk-On-Chip solid state hard drive equivalent for use with the Real Time (RT) processor. Should this unit need replacement, use the following procedure. Disk-On-Chip replacement units provided from Grass Valley Customer Service will already have the foundation layer software and the Kalypso system operating software installed.

1. Ethernet address information is stored on the RT Processor drive. Confirm the IP addresses for all the components connected to the Main panel and record them for use later.
  - a. Simultaneously press the **Un-Shift**, **Shift**, **Near Side**, and **Far Side** buttons on M/E 1 and hold them down for five seconds.
  - b. Select the IP Address Menu.
  - c. Scroll through all the addresses (Main Panel, Aux Panel, Menu Panel, and Frame) and write them all down.

- d. Exit without saving.
2. On the Menu panel, exit the Kalypso program. Shutdown the OS by selecting the Start -> Shut Down menu and selecting Shut down the computer. After the OS has shutdown, open the lid of the Main panel and power it off.
3. Carefully remove the 2111 RT Processor assembly from the 671-4942-xx board. It will take a bit of force to get the 2111 off, but be sure to not bend any pins in the process.
4. Remove the Disk-On-Chip board from the 2111 RT Processor assembly and unplug the cable from the Disk-On-Chip.
5. Locate the 32-pin socket on the 2111 Processor labeled U102. Note the markings for orientation on the board. Insert the replacement Disk-On-Chip in the socket.
6. Re-attach the 2111 Processor to the 671-4942-xx board. Again, it will take some force to attach the 2111 Processor, but be careful to not bend any pins.
7. Power on the Main panel. After the processor boots, the Panel will indicate **No Communications With Frame**. This is due to the IP addresses being set to factory defaults. The addresses will be reset in [Step 9](#).
8. It will be necessary to re-calibrate the Main panel displays, lever arms and joystick since the factory defaults may not be correct for this Panel. See [Source Name Display Contrast Adjustment on page 204](#) and [Lever Arm and Joystick Calibration on page 204](#) for specific instructions.
9. Follow the procedure in [Step 1](#) above to view the IP addresses. Reset the IP addresses to the desired settings using the IP addresses recorded. After resetting all the addresses, Exit and save the new addresses.
10. Reset the RT Processor by pressing the Reset button on the 671-4942-xx board.
11. After the RT Processor boots, the Panel will indicate it is able to communicate with the Kalypso Frame.
12. The Panel is now able to function as a Kalypso Control Panel. If another version of Kalypso software needs to be downloaded, this can now be done.

## Main Panel RT Hard Drive Replacement

Should a Real Time (RT) Processor IDE drive fail, the entire Real Time Processor IF assembly can be replaced. This upgrades the system to the latest Disk-On-Chip technology. See [Real Time Processor Interface Assembly Replacement on page 228](#) for this procedure.

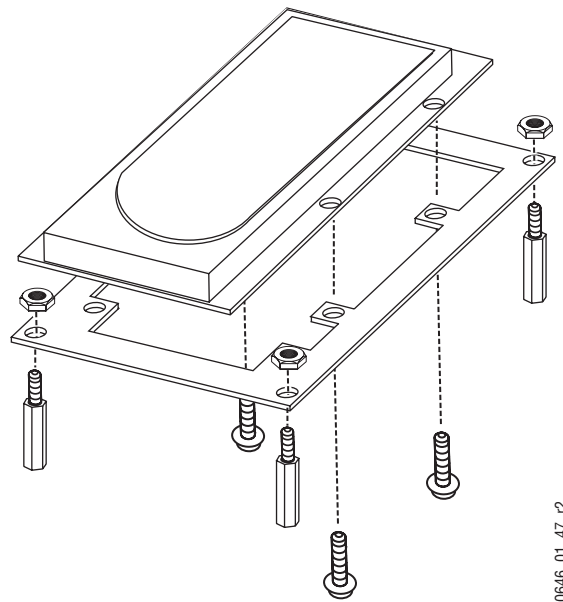
Alternatively, an IDE drive it can be replaced with just a Disk-On-Chip board.

1. Follow the [Main Panel RT Processor Disk-On-Chip Replacement](#) procedure on [page 225](#), with the following changes:
  - Remove the IDE hard drive (not a Disk-On-Chip) from the 2111 RT Processor assembly. Unplug the cable from the IDE drive. Remove the metal plate the IDE drive is mounted on.
  - Find the DIP switch labeled SW2 on the 2111 Processor. Switch bit 8 controls the drive type (Disk-On-Chip is enabled when OFF). Move bit 8 from ON to OFF. The switch should now be set to: 0111 1010.

## Original Menu Panel Hard Drive Replacement

To replace an original Menu panel hard drive mounted in the Main panel, follow the steps below and refer to [Figure 152](#). The hard drive is mounted on a metal bracket attached to four standoffs on the processor boards.

Figure 152. Replacing Board Mounted Hard Drives



1. Open the Main panel. On the Primary and (if present) Redundant Power Supplies, move the power switch to the Off position.
2. Carefully remove the ribbon cable connected to the front of the drive, noting pin 1 orientation stripe.
3. Use a 3/16 inch (4.8 mm) nutdriver to remove the four nuts and washers holding the hard drive metal bracket to the board standoffs. Retain the nuts and washers.

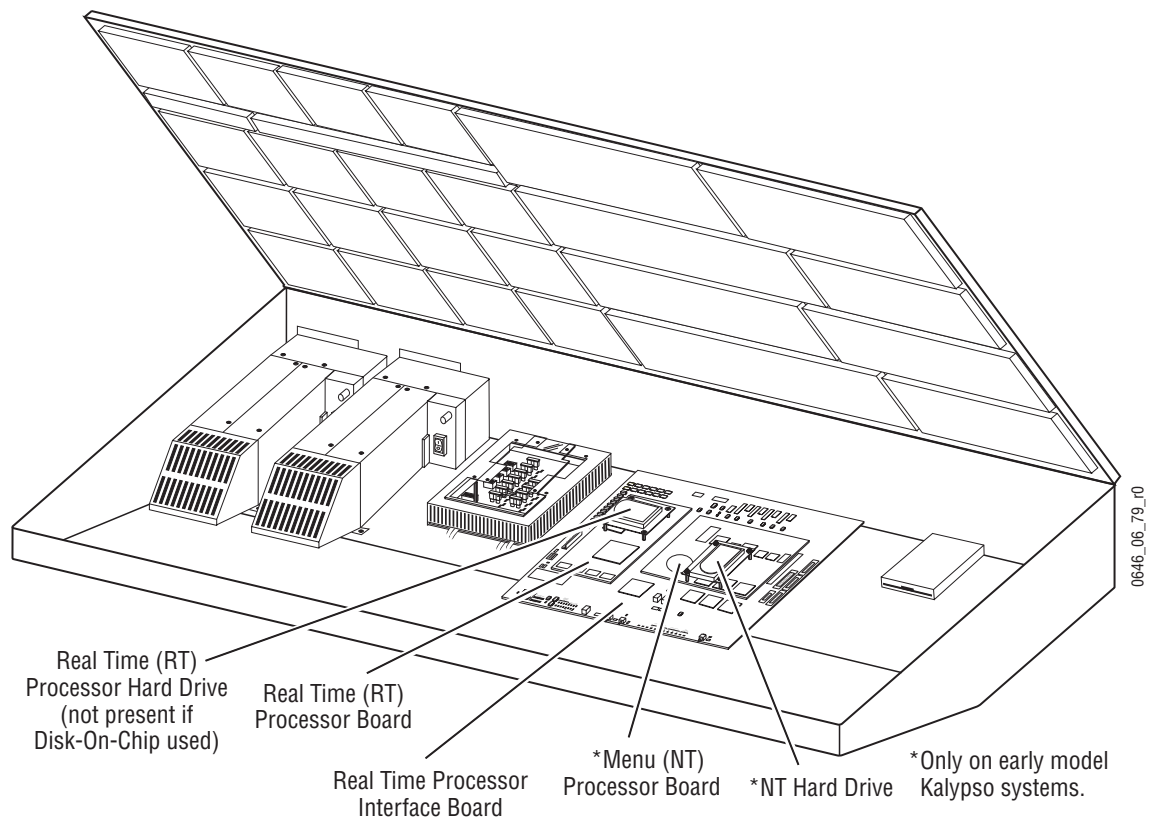
4. Remove the defective hard drive from the metal bracket by removing the four #10 Torx screws holding it to the bracket.
5. Install the replacement hard drive onto the metal bracket by lining up the holes in the circuit board side of the hard drive with the bracket holes. The label side of the hard drive should face away from the bracket. Use the screws removed earlier to secure it to the bracket.
6. Re-install the metal bracket to the standoffs on with the nuts and washers removed earlier.
7. Re-install the ribbon cable removed earlier, with the stripe denoting pin 1 of the cable lined up with pin 1 of the connector.

**CAUTION** The first two rows of pins on the top of the hard drive connector are not used. Connect the cable with its red strip up and the first two rows of connector pins exposed.

## Real Time Processor Interface Assembly Replacement

The Real Time Processor Interface Assembly includes the Real Time processor board (with Disk-On-Chip or IDE hard drive) and on early model Kalypso systems also includes the Menu panel processor and IDE hard drive ([Figure 153](#)). On late model Kalypso systems the Menu Processor board and drive is located inside the separate Enhanced Menu panel.

Figure 153. Real Time Processor Interface Assembly



1. Ethernet address information is stored on the RT Processor and Menu panel drives. Confirm the IP addresses for all the components connected to the Main panel and record them for use later.
  - a. Simultaneously press the **Un-Shift**, **Shift**, **Near Side**, and **Far Side** buttons on M/E 1 and hold them down for five seconds.
  - b. Select the IP Address Menu.
  - c. Scroll through all the addresses (Main Panel, Aux Panel, Menu Panel, and Frame) and write them all down.
  - d. Exit without saving.
2. On the Menu panel, exit the Kalypso program, shutdown the OS, then open the lid of the Main panel and power it off.
3. From the outside back of the Main panel, disconnect the Menu panel, Ethernet, and any other cables attached to the rear of the Real Time Processor Interface board. Menu and Local Aux DIN power cables and any Emergency Bypass option cabling can remain in place.

4. From inside of the Main panel tub, disconnect the ribbon and other cables attached to the Real Time Processor Interface board. These cables include Power Supply and Power Supply status cables on the left and a speaker cable and five ribbon cables at the top rear. Note the locations of these cables so they can be replaced correctly.
5. From inside the Main panel tub, use a #15 Torx screwdriver to remove the three screws attaching the Real Time Processor Interface board to the bottom of the tub, and remove the two screws attaching the connector plate to the rear of the tub.
6. Remove the old board and replace with the new Real Time Processor Interface board using the screws removed.
7. Reconnect all the cables inside the Main panel tub.
8. Reconnect the cables at the outside back of the Main panel, with the following important Ethernet cable exception, if appropriate.

**CAUTION** The Real Time Processor Interface Assembly ships with default IP addresses. If you have another Kalypso system on your network that use default IP addresses, do not reconnect the Ethernet cables on the system being serviced until its default IP addresses have been changed.

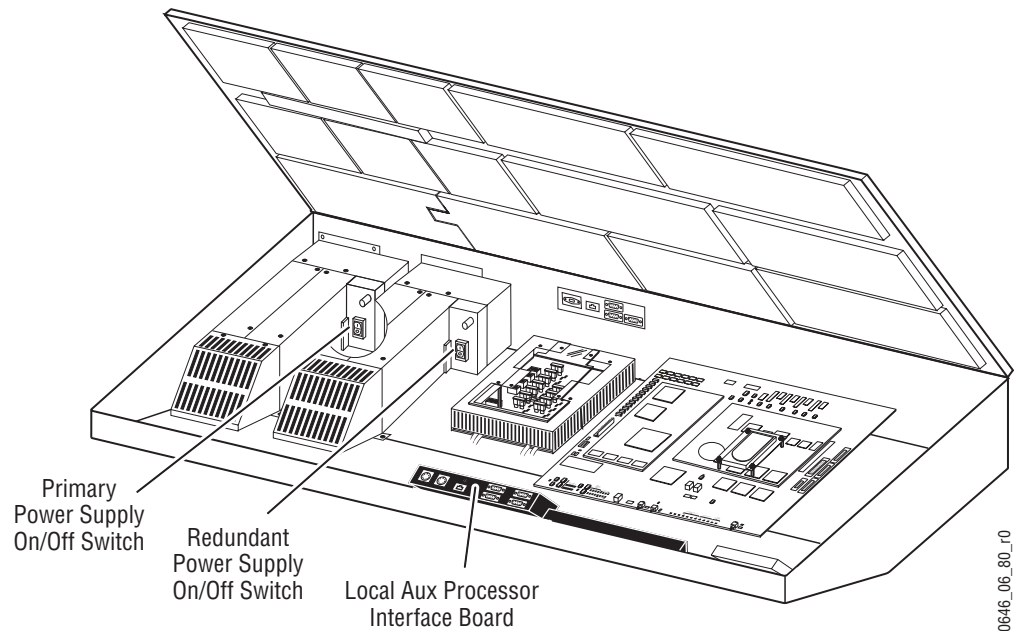
9. Power up the Main panel.
10. It will be necessary to re-calibrate the Main panel displays, lever arms and joystick since the factory defaults may not be correct for this panel. See *Source Name Display Contrast Adjustment* on page 204 and *Lever Arm and Joystick Calibration* on page 204 for specific instructions.
11. Follow the procedure in [Step 1](#) above to view the IP addresses. Set the Main panel IP addresses to the desired settings using the IP addresses recorded. If default addresses were used they should not need to be changed. When the addresses are correct, Exit and save the new addresses.
12. If you are servicing an early model Kalypso system equipped with an original Menu panel, set the IP address of the Menu panel, using standard Windows OS methods (see *Changing Menu Panel IP Address* on page 142). You will also need to set the IP addresses the Menu panel uses to communicate with other devices, by going to Home\Eng Setup\System\Config and entering IP addresses for the Frame, RT Panel, and (if the Still Store option is present) SStore IP address fields.
13. Reset the Main panel and Menu panel.
14. If not yet connected, attach the Ethernet cables to the rear of the Main panel.
15. After the RT Processor boots, the Panel will indicate it is able to communicate with the Kalypso Frame.

16. The Panel is now able to function as a Kalypso Control Panel. If another version of Kalypso software needs to be downloaded, this can now be done.

## 2-M/E Main Panel Local Aux Processor Interface Board Replacement

The Local Aux processor interface board is located inside the Main panel in 2-M/E systems (see [Figure 154](#)). The replacement Local Aux processor interface board ships with the default IP address setting and the latest version of Kalypso software installed.

Figure 154. Local Aux Processor Interface Board Location

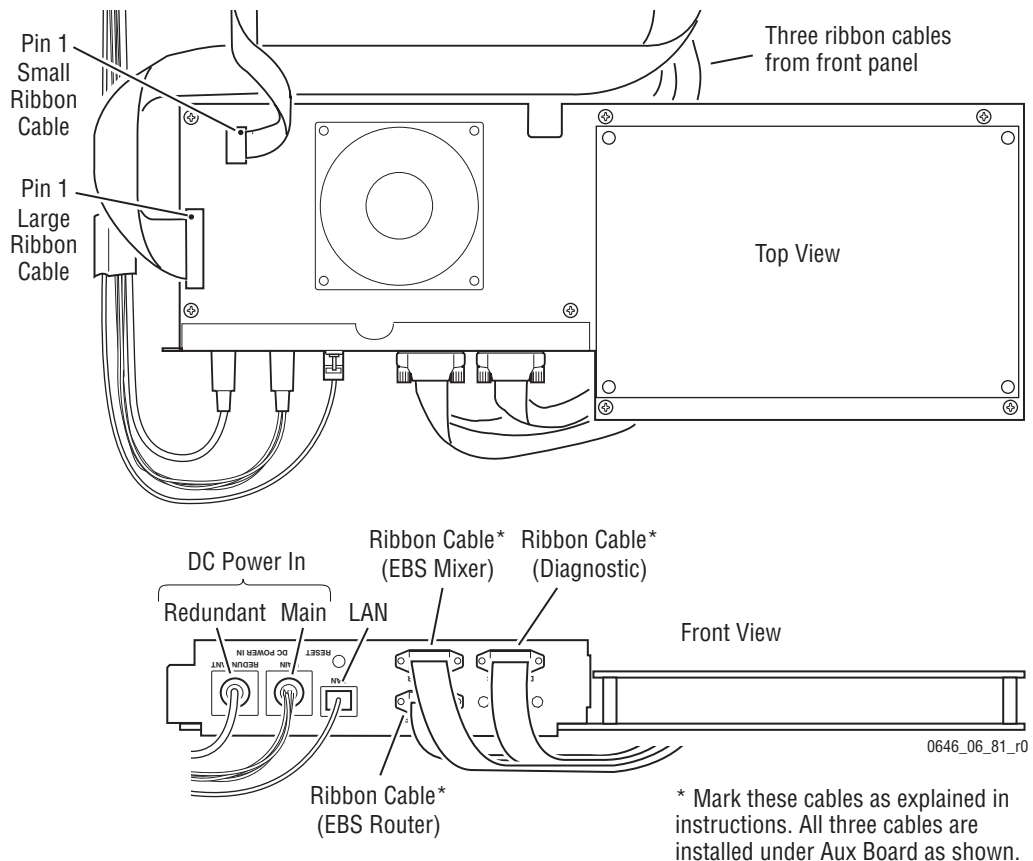


To replace the Local Aux processor interface board:

1. Confirm the IP addresses for the Local Aux subpanel and record it for use later.
  - a. Simultaneously press the **Un-Shift**, **Shift**, **Near Side**, and **Far Side** buttons on the Local Aux Subpanel Bus #1 and hold them down for five seconds.
  - b. Select the IP Address Menu.
  - c. Scroll through all the addresses (Main Panel, Aux Panel, Menu Panel, and Frame) and write down the IP address for the Aux Panel.
  - d. Exit without saving.
2. On the Menu panel, exit the Kalypso program. Shutdown the OS by selecting the Start -> Shut Down menu and selecting Shut down the computer.

3. Open the Main panel. Turn off AC power to the Main panel for both the primary and redundant (if present) power supplies (see [Figure 154](#)).
4. At the rear of the Main panel, disconnect the AC line cord from both primary and redundant (if present) power supplies.
5. Open the Main panel and locate the Local Aux processor interface board inside the Main panel tub (see [Figure 154](#)).
6. Locate the three ribbon cables connected to the 9-pin D connectors labelled EBS Mixer, EBS Router, and Diagnostic (see [Figure 155](#)). Mark these cables to ensure that once these cables are removed that they can be reconnected to an identically labelled 9-pin D connector. These three ribbon cables are physically identical. Path integrity (from the EBS Mixer connector on the Local Aux processor interface board to the EBS Mixer connector on the Main panel tub to the EBS Mixer connector on the external device, etc.) must be maintained throughout the entire system for the Emergency Bypass System to work.
7. Use a flathead screwdriver to loosen the screws securing the 9-pin D connectors to the board.

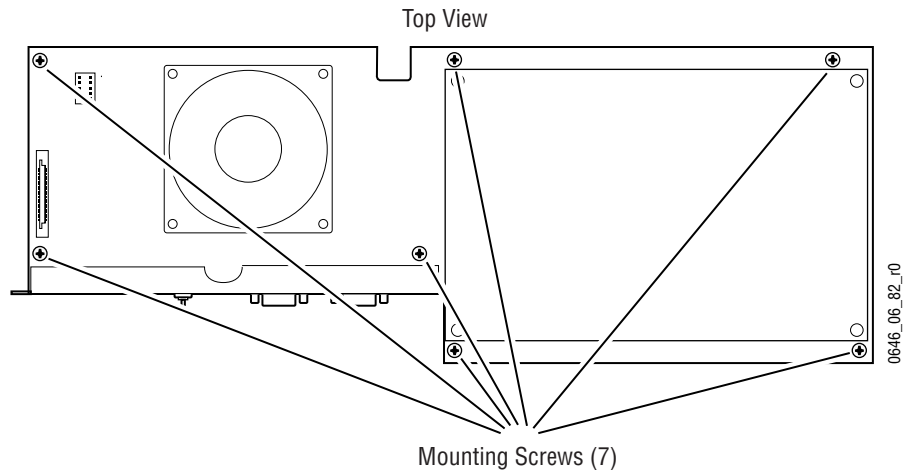
Figure 155. Local Aux Processor Interface Board Cabling





8. Disconnect all cables from the Local Aux processor interface board (see [Figure 155](#)).
9. From inside the Main panel tub, use a #15 Torx screwdriver to remove the seven screws attaching the Local Aux processor interface board to the bottom of the tub (see [Figure 156](#)).

Figure 156. Local Aux Processor Interface Board Screws



10. Carefully, lift the Local Aux processor interface board out of the Main panel tub. Try to minimize the movement of the disconnected cables.
11. Place the replacement Local Aux processor interface board into position inside the tub, with the three 9-pin D connector ribbon cables under the board, and reattach the board to the tub with the seven screws removed earlier.
12. Reconnect all cabling.
13. At the rear of the Main panel reconnect the AC line cord for each power supply present.
14. Turn on the Main panel Primary and, if present, Redundant power supply.
15. Follow the procedure in [Step 1](#) above to view the IP addresses. If the default IP address is used it does not need to be changed. If the IP address is not the default IP address then set the Aux Panel IP address to the desired setting. When the address is correct, Exit and save the new address.

16. Verify the version of software loaded into the Local Aux processor interface board using the Software Versions menu (see [Figure 110 on page 133](#)). If the version of Kalypso software loaded into the Local Aux processor interface board is different from the version of Kalypso software being used by the other Kalypso system components, the Local Aux processor interface board needs to have that version of software loaded. Use the Kalypso Software Update Tool to install the software. Refer to the *Release Notes* which ship with software updates for complete software installation instructions

## Main Panel Power Supply Replacement

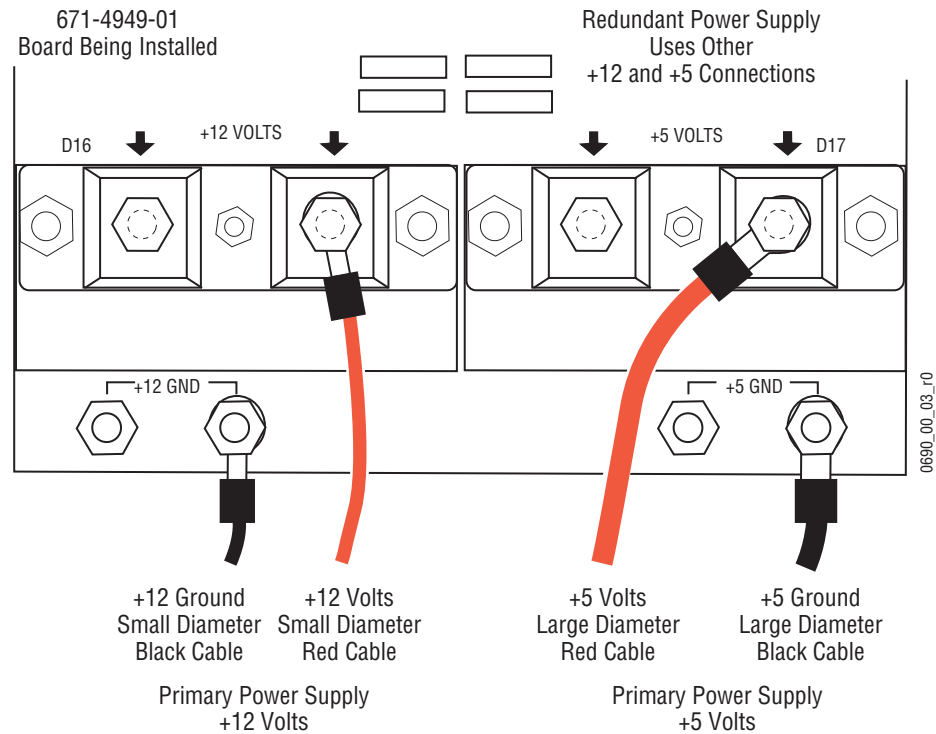
The Main panel has a primary power supply (left supply) and an identical optional redundant power supply (right supply), both located in the left side of the Main panel tub (see [Figure 150 on page 223](#)).

To replace either power supply in the Main panel:

1. Open the Main panel. Turn off AC power to the Main panel for both the primary and redundant (if present) power supplies (see [Figure 150 on page 223](#)).
2. At the rear of the Main panel, disconnect the AC line cord from both primary and redundant (if present) power supplies.
3. Disconnect the rear ground connection from the power supply needing replacement.
4. Open the Main panel and locate the Power Distribution board inside the Main panel tub ([Figure 160 on page 245](#) for 4-M/E and [Figure 161 on page 245](#) for 2-M/E).
5. Use a #15 Torx screwdriver to remove four screws that hold a clear cover onto a metal grill that covers the Power Distribution board (see [Figure 151 on page 224](#)). Retain the cover and screws.
6. Remove the cable connections listed below from the right side of the Power Distribution board. Do not remove the M/E cables on the left.
  - a. Real Time Processor (J10)
  - b. Menu Display (J9)
  - c. Real Time Processor Power (J8)
  - d. Drive (J23)
7. Use a #15 Torx screwdriver to remove the metal grill covering the Power Distribution board by removing the four outside screws holding it in place ([Figure 151 on page 224](#)). Maneuver the grill around the M/E cables still connected to the Power Distribution board through the back opening of the metal grill. Retain the metal grill and screws.

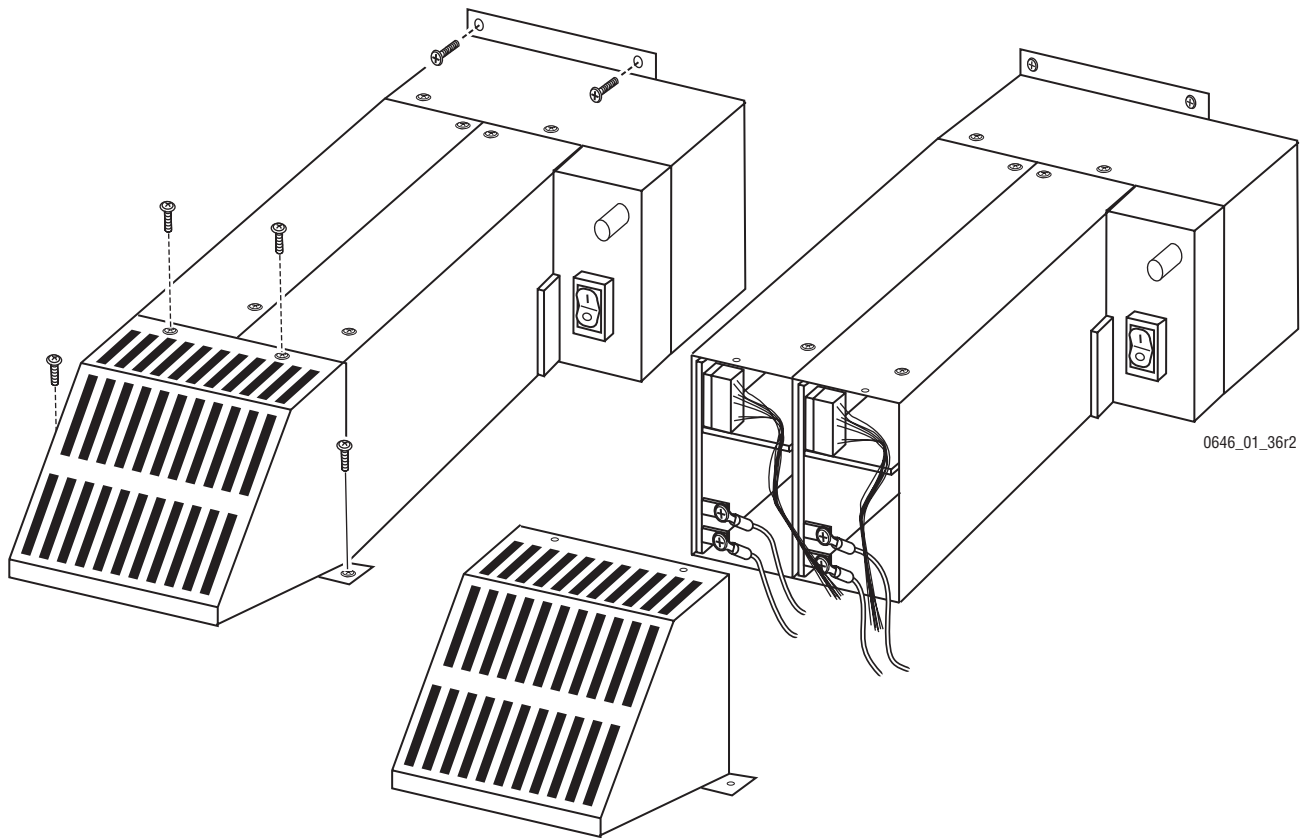
8. On the front of the Power Distribution board, disconnect the +12V and +5V cables from the positive voltage diode connections (Figure 157). Use a 7/16 inch (11 mm) nut driver to remove the bolts and washers. Retain the hardware for reuse.

Figure 157. +5V and +12V Power Distribution Board Connections



9. Disconnect the +12V and +5V cables from the Power Distribution board ground connections (Figure 157). Use a 7/16 inch (11 mm) nut driver to remove only the top nut and washer from each connection. Retain the hardware for reuse.
10. Unclamp any cable clamps holding the power supply cables to the bottom of the tub.
11. Remove the gray metal grill cover from the front of the defective power supply. The grill cover and the screws will be needed on the replacement supply (Figure 158).
  - a. Remove the two #15 Torx screws on top of the grill.
  - b. Remove the two #20 Torx screws holding it to the bottom of the panel tub.

Figure 158. Removing Main Panel Power Supplies



12. Remove the two power supply harness connectors labeled P5a and P12a (Primary Supply) or P5b and P12b (Redundant) from inside the front of the power supply +5V and +12V modules (Figure 158).
13. Release the entire power supply assembly from the tub by removing and retaining the two Torx screws holding the power supply to the rear of the panel tub.
14. Carefully lift the entire assembly out of the tub.
15. Place the replacement power supply assembly into position inside the tub and re-attach it to rear of the tub with the two Torx screws removed earlier.
16. Re-connect the power supply harness to the connectors inside the front of the power supply +5V and +12V modules. Connect P5a or P5b to the +5V module and P12a or P12b to the +12V module.
17. Reattach the red +12V and +5V cables to the diode connectors (D16, D17), (Figure 157 on page 235). Use a 7/16 inch (11 mm) nut driver to tighten the power cable lug and connection hardware:
  - The positive voltage connection hardware stack is lock washer, lug, lock washer, bolt.

18. Reattach the black +12V and +5V cables to the ground connectors on the new board:
  - The ground connection hardware stack is lug, lock washer, nut (on top of the already installed flat washer, lock washer, nut).
19. Note the labels silk-screened on the Power Distribution board and verify that the +5V and +12V cable connections from the replacement supply are connected correctly.
20. Attach the gray metal grill (removed in [Step 11](#)) to the front of the replacement supply using the two #15 Torx screws removed earlier ([Figure 158](#)).
21. Secure the grill to the tub with the two #20 Torx screws removed earlier.
22. Re-install the metal grill on the Power Distribution board using the four #15 Torx screws removed earlier.
23. Re-install the ribbon and power cables to the right of the Power Distribution board.
24. Re-install the clear plastic cover on the metal grill using the remaining four #15 Torx screws removed earlier.
25. Re-attach the ground connection to the rear of the power supply and plug in the AC line cords to both supplies.
26. Turn on the replacement power supply and check that the +5V and +12V indicators on the Power Distribution board are illuminated.
27. Turn on power to the other power supply (if present).

## Power Distribution Board Replacement

The Power Distribution board distributes power to all the internal components of the Main panel, and to the Menu panel and, if present, Local Aux panel.

1. Open the Main panel and turn off AC power to the Main panel for the Primary and (if present) Redundant power supply (see [Figure 150 on page 223](#)).
2. At the rear of the Main panel, disconnect the AC line cord from each power supply present.
3. At the rear of the Main panel, disconnect the DIN power cable(s) feeding the Menu panel and (on 4-M/E systems) the Local Aux panel.
4. Open the Main panel and locate the Power Distribution board inside the Main panel tub ([Figure 150 on page 223](#)).

5. Use a #15 Torx screwdriver to remove four screws that hold a clear cover onto a metal grill that covers the Power Distribution board ([Figure 151 on page 224](#)). Retain the cover and screws.
6. Disconnect the four M/E cable connections from the back left corner of the Power Distribution board:
  - ME 1 (J5)
  - ME 2 (J7)
  - ME 3 (J10)
  - ME 4 (J12)
7. Disconnect the cable connections listed below from the right side of the Power Distribution board:
  - Real Time Processor Power (J6)
  - Drive (J8)
  - Menu Processor (J9)
  - Real Time Processor Power (J11)
8. Use a #15 Torx screwdriver to remove the metal grill covering the Power Distribution board by removing the four outside screws holding it in place ([Figure 151 on page 224](#)). Retain the metal grill and screws.
9. Disconnect the two fan power cables at the left rear corner of the Power Distribution board (Primary power supply fan connector J1, Redundant power supply fan connector J4).
10. Disconnect the Power Supply Controls cable from the left side of the Power Distribution board (J13).
11. On the front of the Power Distribution board, disconnect the +12V and +5V cables from the positive voltage diode connections ([Figure 157 on page 235](#)). Use a 7/16 inch (11 mm) nut driver to remove the bolts and washers. Also remove the bolts and washers for each Redundant Power Supply connection, even if unused. Retain the hardware for reuse.
12. Disconnect the +12V and +5V cables from the Power Distribution board ground connections ([Figure 157](#)). Use a 7/16 inch (11 mm) nut driver to remove only the top nut and washer from each connection. Also remove the nut and washer for each Redundant Power Supply connection, even if unused. Retain the hardware for reuse. The lower nut, washer, and ground bolt will be removed later.
13. Remove the four standoffs at the corners of the Power Distribution board with the 3/16 inch nut driver and retain them for reuse.
14. Remove the Power Distribution board from the tub.

15. Remove the lower ground connection nut and washers from the front of the board, and then remove the ground bolt for all four ground connections from the rear of the board. Retain the hardware for reuse.
16. Install the four ground connections onto the new Power Distribution board. Insert the four bolts from the rear of the board, and install the hardware from the front:
  - The hardware stack is flat washer, lock washer, nut.
17. Install the new Power Distribution board in the tub with the four standoffs.
18. Reconnect the two fan power cables at the left rear corner of the new Power Distribution board (J1, J4).
19. Reattach the Power Supply Controls cable to the connector on the left side of the Power Distribution board (J13).
20. If you have an older 4-M/E Main panel with an internal top lid support bracket, before tightening the connections route the power cables so there is open space for the support bracket to rest on the floor of the tub.
21. Reattach the red +12V and +5V cables to the diode connectors (D16, D17) on the new board ([Figure 157 on page 235](#)). Use a 7/16 inch (11 mm) nut driver to tighten the power cable lug and connection hardware:
  - The positive voltage connection hardware stack is lock washer, lug, lock washer, bolt.
22. Reattach the black +12V and +5V cables to the ground connectors on the new board:
  - The ground connection hardware stack is lug, lock washer, nut (on top of the already installed flat washer, lock washer, nut).
23. With only the power supply cables listed above reattached, reconnect the AC power lines at the rear of the Main panel, then turn on the Main panel Primary and, if present, Redundant power supply switches.
24. Confirm that both power supply fans operate.
25. Using a voltmeter across each +12V and +5V power supply cable connector pair, verify the voltages are correct and have not been accidentally swapped.
26. Turn off the Primary and (if present) Redundant power supply and disconnect the AC power lines at the rear of the Main Panel.
27. Re-install the metal grill on the Power Distribution board using the four #15 Torx screws removed earlier.

28. Reconnect the ribbon and power cables to the right of the Power Distribution board (the J connector numbers are different on the new board):
29. Reconnect the four M/E cable connections to the back left corner of the Power Distribution board (the J connector numbers are different on the new board):
30. Re-install the clear plastic cover on the metal grill using the remaining four #15 Torx screws removed earlier.
31. At the rear of the Main panel reconnect the AC line cord for each power supply present. Also reconnect the DIN power cables for the Menu panel and, if present, Local Aux panel.
32. Turn on the Main panel Primary and, if present, Redundant power supply and confirm proper Kalypso system operation.

## Main Panel Troubleshooting

The Main panel pushbuttons and displays illuminate when the system is operating properly (there is no lamp saver or sleep mode). If you are experiencing problems with the Main panel, refer to the troubleshooting sections below.

### Basic Functionality Checks

Perform the steps below in the order presented to check basic functionality of the Main panel.

1. Reset all Control panel processors by cycling power.
  - a. Cycling Main panel power to perform an overall reset of the control surface system by turning off the primary and redundant (if present) power supplies inside the Main panel, and
  - b. Turning power back on to both supplies.
2. Check status indicators inside Main panel.
  - a. Inside the Main panel, locate the Real Time (RT) Interface and the Power Distribution boards ([Figure 160](#), 4-M/E panel and [Figure 161](#), 2-M/E panel).
  - b. Check the status indicators on the Power Distribution board.

The Power Distribution board distributes the +12V and +5V from the panel power supplies to the various control surfaces including the RT Interface board in the Main panel, the Menu panel, and the Local Aux panel.

Refer to [Table 22](#) and [Figure 162](#) for an overview of the status indicators and their meaning. The status indicators in [Table 22](#) are listed



as they appear on the board from top to bottom from the left side of the board to the right.

- c. Check the status indicators on the RT Interface board.

The RT Processor Interface board mounted on the bottom of the Main panel tub houses the Real Time Processor for controlling the Main panel circuitry and the NT Processor for controlling the Menu panel. In addition, it provides communication links throughout the entire control surface, including the Satellite panels.

Refer to [Table 19](#) and [Figure 159](#) for an overview of the status indicators and their meaning.

- d. Check the status indicators on the circuit boards mounted in the panel lid ([Figure 160](#) and [Figure 161](#)). Refer to [Table 21](#) for status indicator names and their meaning.
3. If the Main panel has suspected hardware display, lever arm, joystick, lamp or knob failure, use the Main panel diagnostics routine in the Main panel Diagnostics ([page 250](#)).
  4. Check the version of Kalypso software running on the Main panel (RT panel) by bringing up the Version screen on the Menu panel as described in the steps below. (This also provides a quick check of system communication status with other devices.)
    - a. Select the **Status/Diags** pushbutton on the Menu panel.
    - b. Touch the **Versions** data pad to bring up the software version screen.
 

The Version screen should report the Kalypso software version running on each device communicating in the Kalypso system (Video Processor frame, Main panel, Menu panel and Local Aux panel).
    - c. Check that all reported software versions are identical. If one of the software versions is different, reload the correct software version to that device using the Software Installation Procedure described in the current version of the Kalypso *Release Notes*.
  5. If the Main panel does not appear to be communicating properly (not switching crosspoints or video, for example), check the communication configuration at the Main panel to the other Kalypso devices.

If communication has been lost between the Main panel and the Video Processor frame, a message indicating such will appear in the M/E Status displays.

The Main panel must have the following IP addresses set locally for proper communication:

- Main panel IP address (default: 192.168.0.25) on the Control Panel LAN.
- Frame IP address (default: 192.168.0.20) on the Control Panel LAN.
- Menu panel IP address (default: 192.168.0.25) on the Facility LAN.
- SubNet mask (default: 255.255.255.0).

Refer to *Changing 4-M/E and 2-M/E Main Panel IP Address* on [page 140](#) for instructions on setting or checking these IP addresses.

6. Verify the LED at the ethernet switch connection to the Control Panel LAN is active and blinking. Refer to the *Local Area Network (LAN) Troubleshooting* section on [page 281](#) for more detailed information on network troubleshooting.

Verify the Main panel is communicating over the panel LAN by checking the RTP Control Panel LAN Activity XMT and RCV LEDs at

the front of the RT Processor Interface board inside the Main panel (Table 19 and Figure 160).

Figure 159. Real Time Processor Interface Board Status Indicators

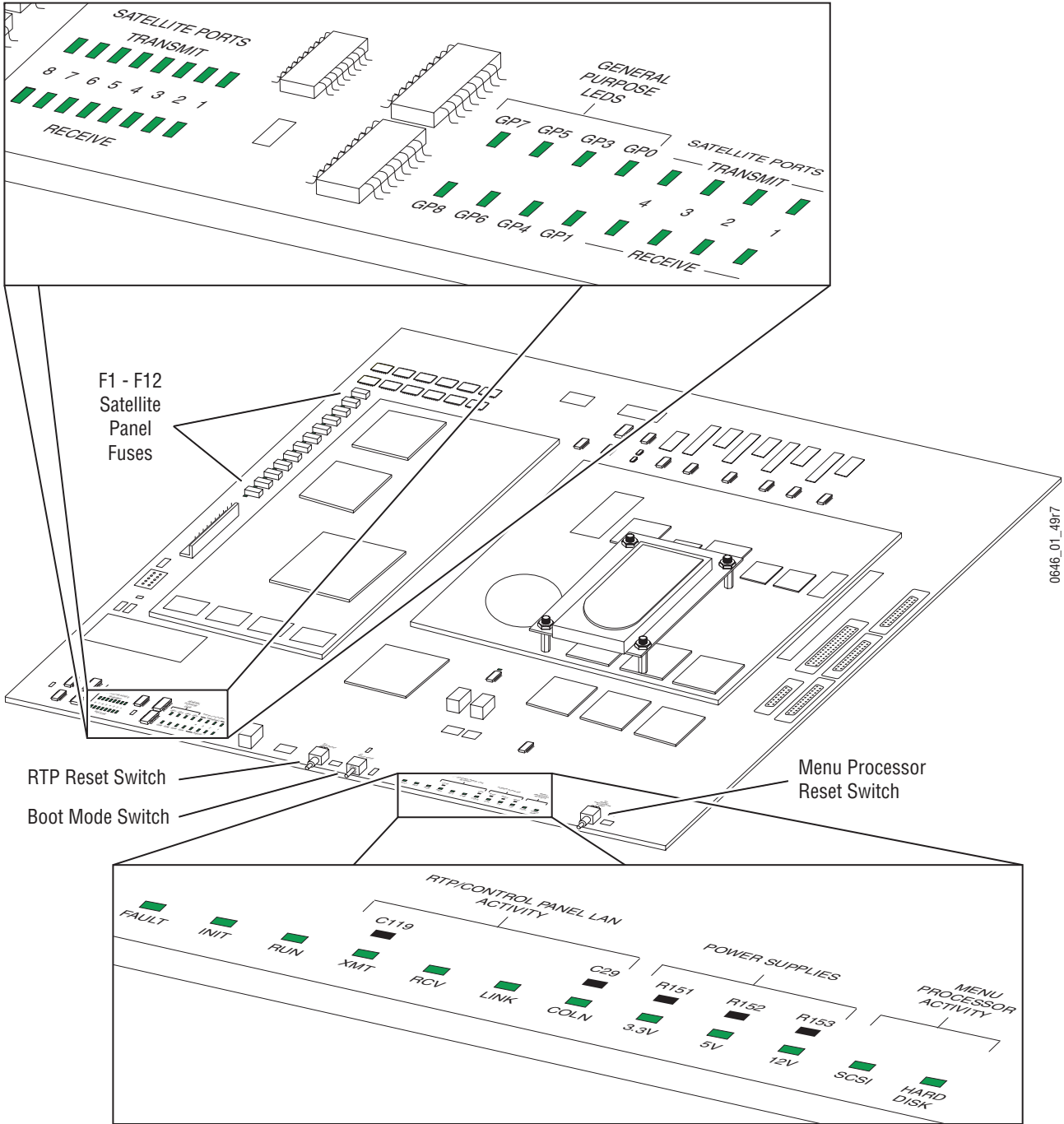


Table 19. Main Panel Real Time Processor Interface Board Status Indicators

Board Name	Indicator		LED State	Status Meaning/Action
	Group	Name		
Real Time Processor Interface	Satellite Panel Fuses	F1 - F12	Green LED on	Power present to Satellite panels (12 panels possible).
	Satellite Ports (1-12)	Transmit	Green LED on	Real Time Processor is writing data to the corresponding satellite port.
		Receive	Green LED on	Real Time Processor is reading data from the corresponding satellite port.
	General Purpose LEDs	GP0	Green LED on	Indicates PIC activity during field rate task.
		GP1	Green LED on	Bit 1 of Fault Status (Refer to <a href="#">Table 20</a> ).
		GP3	Green LED on	PIC information from joystick or lever arm will toggle LED state.
		GP4	Green LED on	Bit 2 of Fault Status (Refer to <a href="#">Table 20</a> ).
		GP5	Green LED on	PIC information from knob will toggle LED state.
		GP6	Green LED on	Bit 3 of Fault Status (Refer to <a href="#">Table 20</a> ).
		GP7	Green LED on	PIC information from button will toggle LED state.
		GP8	Green LED on	Bit 4 of Fault Status (Refer to <a href="#">Table 20</a> ).
		FAULT	Red LED on	Indicates fault in panel (Refer to <a href="#">Table 20</a> ).
		INIT	Red LED on	RT board has been reset and is loading FPGAs; off after FPGA code is loaded.
	RTP Control Panel LAN Activity	RUN	Green LED on	Indicates that the Real Time Processor is executing code.
		XMT	Green LED on	Indicates data is being sent to the Control panel LAN from the RT Processor.
		RCV	Green LED on	Indicates data is being received from the Control panel LAN.
		LINK	Green LED on	RT Processor Ethernet controller recognizes connection to Control Panel LAN.
	POWER SUPPLIES	COLN	Green LED on	Indicates two or more clients have sent packets that overlap and must be resent.
			+3.3V, +5V, +12V	Green LED on
	MENU PROCESSOR ACTIVITY	SCSI	Green LED on	Indicates activity on the SCSI bus of the Menu (NT) processor.
HARD DRIVE		Green LED on	Indicates that the hard drive for the Menu processor (NT) is being accessed.	
RT Processor (left)	N/A	D6	Red LED on	Indicates RT Processor is in Run mode.
NT Processor (right)	N/A	D6	Red LED on	Indicates NT Processor is in Run mode.

When the red FAULT LED on the Real Time Processor Interface board is on, General Purpose LEDs GP1, GP4, GP6 and GP8, can be read in binary code to determine the type of fault occurring ([Table 20](#)). Push the RTP Reset button (S3) first, then note the type of fault if it reoccurs.

Table 20. General Purpose LED Fault Description

Binary Code	Fault LED State	Fault Description
0000	All LEDs off	No fault
0001	GP1 on	Ethernet controller failed to initialize.
0010	GP4 on	One of the PIC microprocessors failed to synchronize.
0011	GP1, GP4 on	Invalid PIC board ID
0100	GP6 on	Invalid PIC processor number
0101	GP1, GP6 on	Invalid PIC board revision
0111	GP1, GP4, GP6 on	PIC board version information not received.

Figure 160. 4-M/E Main Panel Interior Circuit Boards

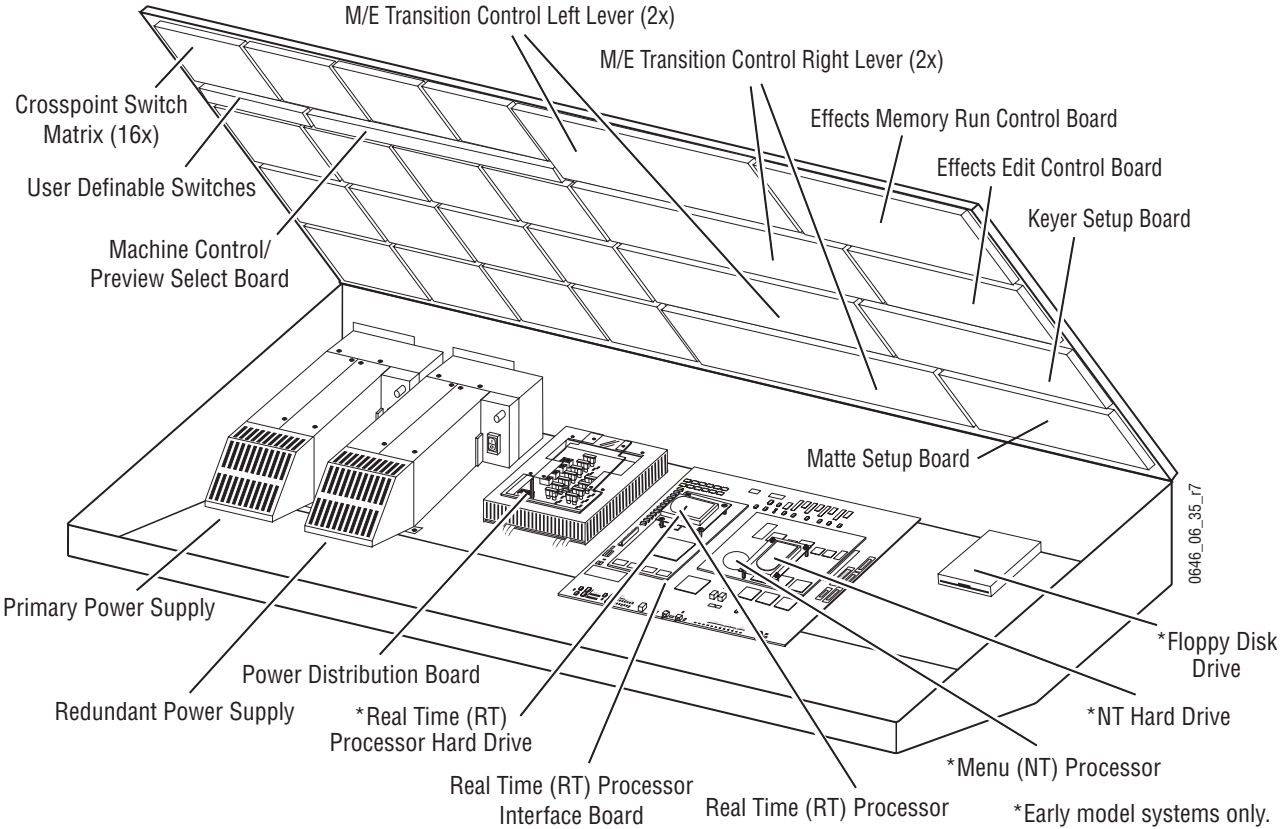


Figure 161. 2-M/E Main Panel Interior Circuit Boards

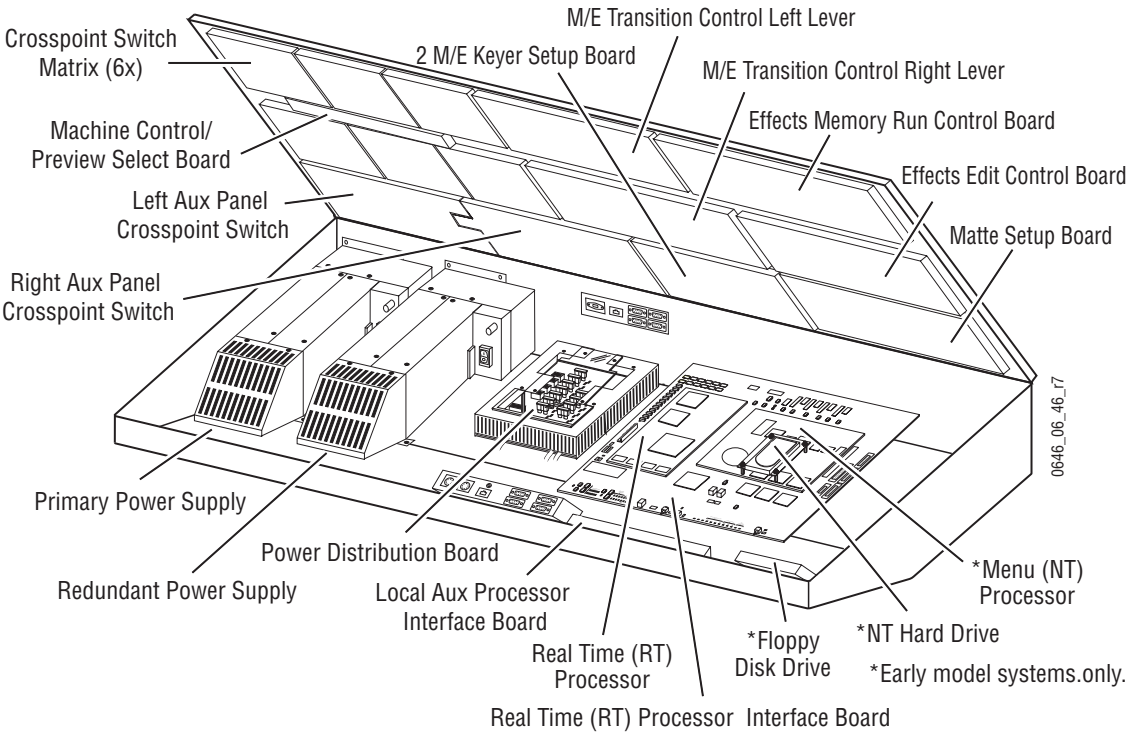


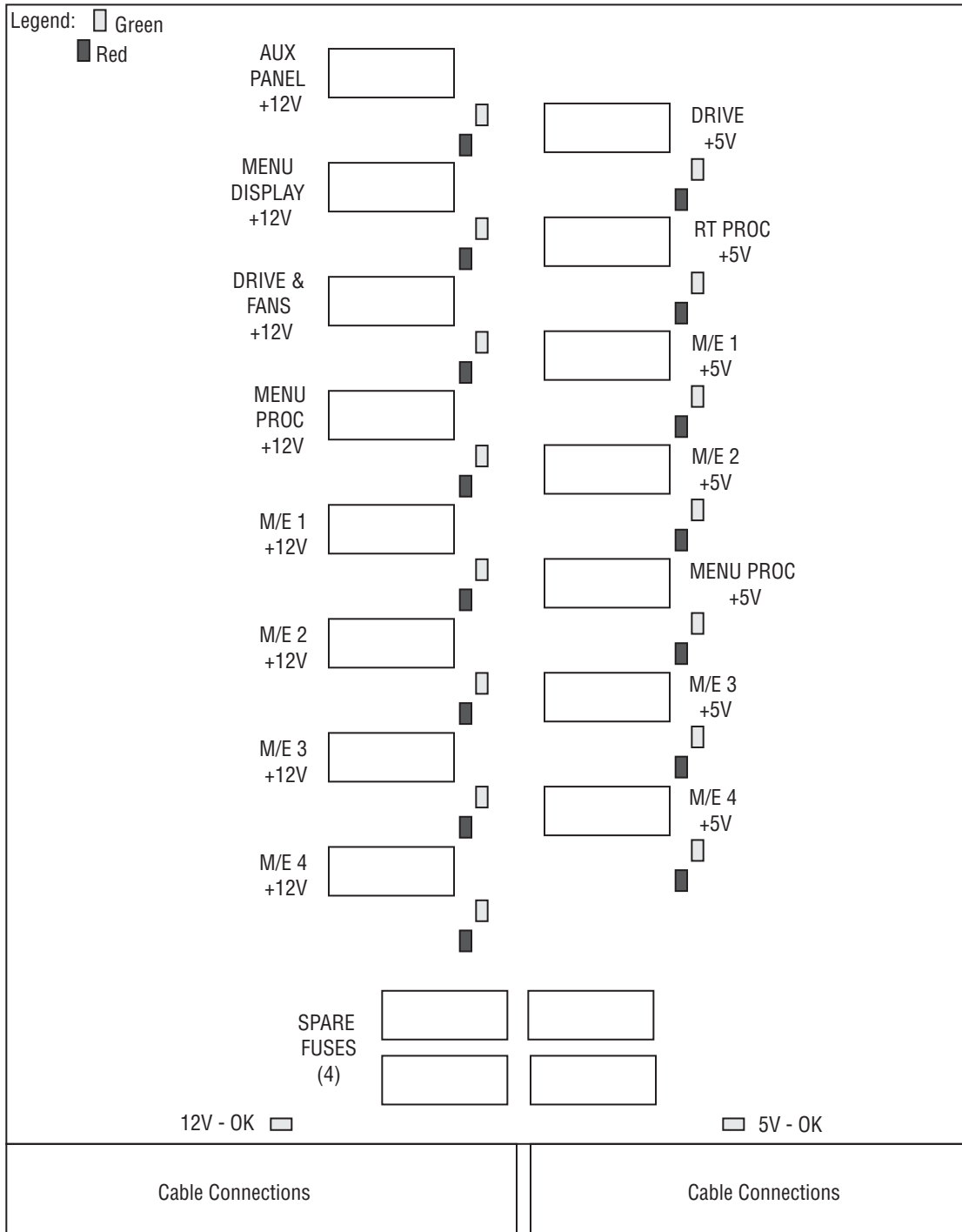
Table 21. Main Panel Circuit Board Status Indicators

Board Name	Indicator Name	LED State	Status Meaning/Action
Crosspoint Switch Matrix Board	+5V	Green LED on	+5V present from Power Distribution board.
	+12V	Green LED on	+12V present from Power Distribution board.
	Host	Green LED on	Indicates RT Processor is communicating with board.
	Activity	Green LED on	Onboard PIC microcontroller is executing code.
	Fault	Red LED on	Fault found on board by RT Processor.
M/E Transition Control Right Lever Board	+5V	Green LED on	+5V present from Power Distribution board.
	+12V	Green LED on	+12V present from Power Distribution board.
	Host	Green LED on	Indicates RT Processor is communicating with board.
	Activity (3)	Green LEDs on	Onboard PIC microcontrollers are executing code.
	Fault	Red LED on	Fault found on board by RT Processor.
M/E Transition Control Left Lever Board	+5V	Green LED on	+5V present from Power Distribution board.
	+12V	Green LED on	+12V present from Power Distribution board.
	Host	Green LED on	Indicates RT Processor is communicating with board.
	Activity (2)	Green LEDs on	Onboard PIC micro controllers are executing code.
	Fault	Red LED on	Fault found on board by RT Processor.
Matte Setup Board	+5V	Green LED on	+5V present from Power Distribution board.
	Host	Green LED on	Indicates RT Processor is communicating with board.
	Activity	Green LEDs on	Onboard PIC microcontroller is executing code.
	Fault	Red LED on	Fault found on board by RT Processor.
Keyer Setup Board 4-M/E	+5V	Green LED on	+5V present from Power Distribution board.
	Host	Green LED on	Indicates RT Processor is communicating with board.
	Activity (2)	Green LEDs on	Onboard PIC microcontrollers are executing code.
	Fault	Red LED on	Fault found on board by RT Processor.
Keyer Setup Board 2-M/E	+5V	Green LED on	+5V present from Power Distribution board.
	+12V	Green LED on	+12V present from Power Distribution board.
	Host	Green LED on	Indicates RT Processor is communicating with board.
	Activity (2)	Green LEDs on	Onboard PIC microcontrollers are executing code.
	Fault	Red LED on	Fault found on board by RT Processor.
Effect Edit Transform Control Board	+5V	Green LED on	+5V present from Power Distribution board.
	+12V	Green LED on	+12V present from Power Distribution board.
	Host	Green LED on	Indicates RT Processor is communicating with board.
	Activity (2)	Green LEDs on	Onboard PIC microcontrollers are executing code.
	Fault	Red LED on	Fault found on board by RT Processor.
Effect Memory Run Control Board	+5V	Green LED on	+5V present from Power Distribution board.
	+12V	Green LED on	+12V present from Power Distribution board.
	Host	Green LED on	Indicates RT Processor is communicating with board.
	Activity (2)	Green LEDs on	Onboard PIC microcontrollers are executing code.
	Fault	Red LED on	Fault found on board by RT Processor.

Table 21. Main Panel Circuit Board Status Indicators - (continued)

Board Name	Indicator Name	LED State	Status Meaning/Action
Machine Control/Preview Select Switch Board	+5V	Green LED on	+5V present from Power Distribution board.
	Host	Green LED on	Indicates RT Processor is communicating with board.
	Activity	Green LEDs on	Onboard PIC microcontroller is executing code.
	Fault	Red LED on	Fault found on board by RT Processor.
Local Aux Processor Interface Board (2-M/E panel)	+3.3V, +5V, +12V	Green LED on	Indicates that designated power is present
	VBL	Green LED on	Voltage for Source Name Display Backlights present.
	Run	Green LED on	PIC microcontroller is executing code.
	Init	Red LED on	Board has been reset and is loading FPGAs; off after FPGA code is loaded.
	Fault	Red LED on	Indicates fault in panel.
Machine Control/Preview Select Board	+5V	Green LED on	+5V present from Power Distribution board.
	+12V	Green LED on	+12V present from Power Distribution board.
	Host	Green LED on	Indicates RT Processor is communicating with board.
	Act(ivity)	Green LEDs on	Onboard PIC microcontroller is executing code.
	Fault	Red LED on	Fault found on board by RT Processor.
Power Distribution Board	Refer to <a href="#">Table 22 on page 249</a>		

Figure 162. Main Panel Power Distribution Board Fuse and Status Indicators



0646\_01\_50\_r2



Table 22. Main Panel Power Distribution Board Fuse Table

Power Designations	Board 671494900 Fuse # and Fuse Value		Board 671494901 Fuse # and Fuse Value		Indicator	Status Meaning
	Fuse #	Fuse Value	Fuse #	Fuse Value		
AUX PANEL +12V	F21	10A 32V Fast	F1	7.5A 32V Fast	D34 Green LED on	+12V to Aux panel present.
					DS21 Red LED on	+12V to Aux panel absent.
MENU DISPLAY +12V	F22	3A 32V Fast	F3	7.5A 32V Fast	D36 Green LED on	+12V to Menu Display present.
					DS22 Red LED on	+12V to Menu Display absent.
DRIVE & FANS +12V	F23	7.5A 32V Fast	F5	7.5A 32V Fast	D38 Green LED on	+12V to Main panel power supply fans and floppy disk present.
					DS23 Red LED on	+12V to Main panel power supply fans and floppy disk absent.
MENU PROC +12V	F24	3A 32V Fast	F7	3A 32V Fast	D40 Green LED on	+12V to 5811 Menu panel Processor on RT Processor Interface Board present.
					DS24 Red LED on	+12V to 5811 Menu panel Processor on RT Processor Interface Board absent.
M/E 1 +12V	F25	7.5A 32V Fast	F9	7.5A 32V Fast	D42 Green LED on	+12V to M/E 1 control panel boards present.
					DS25 Red LED on	+12V to M/E 1 control panel boards absent.
M/E 2 +12V	F26	7.5A 32V Fast	F11	7.5A 32V Fast	D44 Green LED on	+12V to M/E 2 control panel boards present.
					DS26 Red LED on	+12V to M/E 2 control panel boards absent.
M/E 3 +12V	F27	7.5A 32V Fast	F13	7.5A 32V Fast	D46 Green LED on	+12V to M/E 3 control panel boards present.
					DS27 Red LED on	+12V to M/E 3 control panel boards absent.
M/E 4 +12V	F28	7.5A 32V Fast	F15	7.5A 32V Fast	D48 Green LED on	+12V to M/E 4 control panel boards present.
					DS28 Red LED on	+12V to M/E 4 control panel boards absent.
DRIVE +5V	F11	3A 32V Fast	F2	3A 32V Fast	D35 Green LED on	+5V to Main panel floppy disk drive present.
					DS11 Red LED on	+5V to Main panel floppy disk drive absent.
RT PROC +5V	F12	25A 32V Fast	F4	25A 32V Fast	D37 Green LED on	+5V to 2111 Real Time Processor on RT Processor Interface present.
					DS12 Red LED on	+5V to 2111 Real Time Processor on RT Processor Interface absent.
M/E 1	F14	7.5A 32V Fast	F6	7.5A 32V Fast	D41 Green LED on	+5V to M/E 1 control panel boards present.
					DS14 Red LED on	+5V to M/E 1 control panel boards absent.
M/E 2 +5V	F15	7.5A 32V Fast	F8	7.5A 32V Fast	D43 Green LED on	+5V to M/E 2 control panel boards present.
					DS15 Red LED on	+5V to M/E 2 control panel boards absent.
MENU PROC +5V	F13	7.5A 32V Fast	F10	7.5A 32V Fast	D39 Green LED on	+5V to 5811 Menu processor on RT Processor Interface present.
					DS13 Red LED on	+5V to 5811 Menu processor on RT Processor Interface absent.
M/E 3 +5V	F16	7.5A 32V Fast	F12	7.5A 32V Fast	D45 Green LED on	+5V to M/E 3 control panel boards present.
					DS16 Red LED on	+5V to M/E 3 control panel boards absent.
M/E 4 +5V	F17	7.5A 32V Fast	F14	7.5A 32V Fast	D47 Green LED on	+5V to M/E 4 control panel boards present.
					DS17 Red LED on	+5V to M/E 4 control panel boards absent.

Table 22. Main Panel Power Distribution Board Fuse Table - (continued)

Power Designations	Board 671494900 Fuse # and Fuse Value		Board 671494901 Fuse # and Fuse Value		Indicator	Status Meaning
	Fuse #	Fuse Value	Fuse #	Fuse Value		
SPARE FUSES	F32	10A 32V Fast	F16	7.5A 32V Fast	N/A	N/A
	F31	3A 32V Fast	F18	3A 32V Fast	N/A	N/A
	F33	7.5A 32V Fast	F17	7.5A 32V Fast	N/A	N/A
	F34	25A 32V Fast	F19	25A 32V Fast	N/A	N/A
12V - OK	Primary or Redundant	Main AC 3AG10A Spare Supplied	Primary or Redundant	Main AC 3AG10A Spare Supplied	DS2 Green LED on	+12V from main power supplies present.
5V - OK	Primary or Redundant	Main AC 3AG10A Spare Supplied	Primary or Redundant	Main AC 3AG10A Spare Supplied	DS1 Green LED on	+5V from main power supplies present.

## Main Panel Diagnostics

The Main panel diagnostic routine tests the Main panel knobs, lamps (function and tally states), switches, displays, and lever arm and joystick functionality and calibration. The diagnostic routine is accessed using a serial connection from a PC or dumb terminal to the Panel Diagnostic port on the rear of the Main panel. The diagnostic routine is then run with a terminal emulation program (HyperTerminal).

Refer to [Table 23](#) for an overview of each diagnostic test available, the function of each test and how the test is run. Diagnostic tests are provided for testing by row — First Row (M/E 1), Second Row (M/E 2), Third Row (M/E 3), Fourth Row (M/E 4) and Machine Control and Preview Board — or by individual pushbutton.

Each diagnostic routine gives step-by-step instructions and results as the tests are run. Follow the prompts on the screen to guide you through each test.

Table 23. Main Panel Diagnostics Overview

Test Name	Test Function	Test Procedure
Button Diagnostic	Tests groups of pushbuttons for functionality by circuit board in selected M/E.	Lights and latches a group of pushbuttons to test associated switch. Select each pushbutton to turn it off.
Calibration	Provides individual calibration routines for joystick and individual lever arms.	Move joystick to each axis (X, Y and Z) and press button on top of joystick to calibrate. Move each lever arm to one limit and press Auto Trans pushbutton. Repeat for other limit.
Intermittent Button Test	Checks low/high/off tally status of any individual pushbutton.	Push any pushbutton anywhere on panel to light in low tally, push again to test high tally and again to turn off.
Joystick Test	Tests joystick functionality in M/E Effects Edit/Transform Control circuitry.	Move joystick in all three directions (X, Y and Z axis). Test will report levels and pass/fail status.
Knob Test	Tests functionality of knobs in selected M/E.	Move each knob slowly through complete rotation. Test will report pass/fail status.

Table 23. Main Panel Diagnostics Overview

Test Name	Test Function	Test Procedure
Lamp Test	Test groups of pushbuttons for high and low tally functionality in selected M/E.	Lights and latches a group of pushbuttons in high tally. Push space bar to change all to low tally. Push space bar to turn all off.
LED Test	Tests each LED readout in selected M/E.	Observe scrolling numerals on display.
Lever Arm Test	Tests lever arm functionality in selected M/E.	Move lever arm to both limits, test will report levels and pass/fail status.
Pushbutton Test	Test lamp status of any individual pushbutton.	Push any pushbutton to test light function (will not latch).
Source Name Display Test	Tests all functions on each Source Display installed in selected M/E.	Runs routine to test Source Display. Observe display and after each test segment, press space bar/enter to move to next segment.

## Connecting to the Main Panel Diagnostics Port

To connect to the Main panel Diagnostic port:

1. Connect a serial port from a PC or dumb terminal to the Panel Diagnostic port (Male DB-9 connector) with a null modem cable (pins 2 and 3 crossed). The pinouts of a typical null modem cable are listed in [Table 24](#). Not Used in the Function column means the pins are not physically being used and don't need to be connected.

Table 24. Typical 9-Pin Null Modem Cable Pinout

DB-9	Signal Name	Function
1	DCD	Not Used
2	TXD	Transmit
3	RXD	Receive
4	DTR	Not Used
5	GND	Ground
6	DSR	Not Used
7	RTS	Not Used
8	CTS	Not Used

2. On the PC, in the **Start** menu, select **Programs/Accessories/HyperTerminal**. In HyperTerminal, select **Properties** under the **File** pull-down. Set the PC communication port you wish to use under **Connect using**, then select **Configure** to bring up the communication settings screen. Set the communication values to those listed in [Table 25](#).

Table 25. Panel Diagnostic Port Settings

Baud Rate	38.4 kbps
Data Bits	8
Parity	None
Stop Bits	1
Flow Control	None

3. Select the ASCII Setup box in **Settings**, and under **ASCII Setup**, check the box for Echo typed characters locally (**Local Echo - ON**). This enables the letters you type to display on the screen.
4. Select **VT100 Emulation** from the pull-down menu under **Settings**.
5. Open the Main panel lid and verify that the **BOOT** (S1) switch ([Figure 159](#)) on the Real Time (RT) Processor Interface board is set to position 0 (zero) for a 4-M/E or position 8 for a 2-M/E and press the RTP Reset button (S3) ([Figure 159](#)) to initialize the diagnostics routine.

### Running Main Panel Diagnostics

1. The Diagnostics User Interface menu will appear on the HyperTerminal screen after the RT Processor Interface board is reset in the panel with the following selections:

**B** Begin Diagnostics

**M** Menu Display Control

**Q** Quit Diagnostics

2. Press **B** and **Enter** on your keyboard to begin the diagnostics. Select the letter or number of the test to run and press **Enter**.

Within the routines, press the Space Bar and press **Enter** to continue. Press the **Esc** key and then press **Enter** to exit a diagnostic. Use the **X** key to move up in the menu structure in any of the routines.

[Table 26](#) gives the top level diagnostic menu structure for the Main panel tests.

3. When finished with the diagnostic tests, press **Q** to quit.
4. If the **BOOT** switch (S1) ([Figure 159](#)) on the Real Time (RT) Processor Interface board was set to 8 for a 2-M/E, set it back to position 0 (zero).

5. Remove the null modem cable from the diagnostic port and press the Main panel Reset button (S3) on the RT Processor Interface board to resume operation.

Table 26. Main Panel Diagnostics Menus

Select Control Panel Row for Testing	Select Boards/Device to Test	Select Device Menu
F First Row (M/E 1)	C All Crosspoint boards on ME Row 1	T Button Diagnostic L Lamp Test S Source Name Display Test X Up one menu level
	T Transition Control board on ME Row 1	T Button Diagnostic L Lamp Test E LED Test R Lever Arm Test X Up One Menu Level
	E Matte Setup Sub Panel Board	T Button Diagnostic L Lamp Test K Knob Test X Up One Menu Level
S Second Row (M/E 2)	C All Crosspoint boards on ME Row 2	T Button Diagnostic L Lamp Test S Source Name Display Test X Up one menu level
	T Transition Control Bd on ME Row 2	T Button Diagnostic L Lamp Test E LED Test R Lever Arm Test X Up One Menu Level
	E Keyer Setup Sub Panel Board	T Button Diagnostic L Lamp Test K Knob Test X Up One Menu Level
T Third Row (M/E 3)	C All Crosspoint boards on ME Row 3	T Button Diagnostic L Lamp Test S Source Name Display Test X Up one menu level
	T Transition Control Board on ME Row 3	T Button Diagnostic L Lamp Test E LED Test R Lever Arm Test X Up One Menu Level
	E Effects Edit/Transform Control Board	T Button Diagnostic L Lamp Test J Joystick Test X Up One Menu Level
O Fourth Row (M/E 4)	C All Crosspoint boards on ME Row 4	T Button Diagnostic L Lamp Test S Source Name Display Test X Up one menu level
	T Transition Control Board on ME Row 4	T Button Diagnostic L Lamp Test E LED Test R Lever Arm Test X Up One Menu Level
	E Effects Memory/Run Control Board	T Button Diagnostic L Lamp Test E LED Test R Lever Arm Test X Up One Menu Level
M Machine Control & Preview Board		T Button Diagnostic L Lamp Test E LED Test X Up One Menu Level

Table 26. Main Panel Diagnostics Menus - (continued)

Select Control Panel Row for Testing	Select Boards/Device to Test	Select Device Menu
I Intermittent Button Test	Test any individual pushbutton.	Press Q to quit.
P Pushbutton Test	Test any individual pushbutton.	Press Q to quit.
C Communications Port Tests	RT Panel Com port tests	C Com 1 D Com 2
L Calibration	L Lever Arm Calibration	1 ME 1 Transition Control lever arm 2 ME 2 Transition Control lever arm 3 ME 3 Transition control lever arm 4 ME 4 Transition control lever arm 5 Effects Run lever arm
	J Joystick Calibration	Move joystick to all extremes, then press joystick button. Test reports joystick calibration values.
	D Display Calibration Data	Displays all calibration values.
	X Up one menu level	Press x to move up one menu level.
U Usage of calibration levels for Lever arm/ Joystick tests.	Allows calibration levels for lever arm and joystick to be used for test.	Reports whether currently using calibration/default levels for lever arm/joystick tests. Do you want to use calibration levels? (Y/N).
X Up One Menu Level		Press x to move up one menu level.

## Local Aux Panel Maintenance

The Local Aux panel requires no routine maintenance. Refer to the Field Replaceable Units list in *Appendix B-Field Replaceable Units* for replacement parts available for the Local Aux panel.

The Local Aux subpanel is incorporated into the 2-M/E Main panel. See [page 231](#) for the replacement procedure for the Local Aux processor interface board.

### Local Aux Panel

The Local Aux panel pushbuttons and displays always illuminate when operating properly (no lamp saver or sleep mode). There are no local status indicators. Check the following steps if experiencing problems.

#### Basic Functionality Checks

1. Reset all Control panel surfaces by cycling power.
  - a. Cycle Main panel power to perform an overall reset of the control surface system by turning off the primary and redundant (if present) power supplies inside the Main panel.
  - b. Turn power back on to both supplies.

2. Check DC power status to the Local Aux panel on the Power Distribution board inside the Main panel at the fuse location identified in [Table 22](#). (A separate UPS DC power input to the Local Aux panel may be utilized in Emergency Bypass mode.)

If the Local Aux panel has suspected hardware source display or lamp failure, run the Local Aux panel diagnostics routine provided in the *Local Aux Panel Diagnostics* section ([page 255](#)).

3. Check the version of Kalypso software running on the Local Aux panel by bringing up the Version screen on the Menu panel as described in the steps below. (This also provides a quick check of system communication status with other devices.)
  - a. Select the **Status/Diags** pushbutton on the Menu panel.
  - b. Touch the **Versions** data pad to bring up the software version screen. The Version screen should report the software version running on each device in the Kalypso system (Frame, RT panel, Menu panel and Aux panel).
  - c. Check that the Local Aux panel software is present and the version matches the other Kalypso devices. If not, reload the correct software version to the Local Aux panel using the Software Installation Procedure in the current Kalypso system *Release Notes*.
4. If the Local Aux panel is not switching crosspoints or video or does not appear to be communicating with other Kalypso devices, check the communications configuration at the Local Aux panel. The Local Aux panel must have the following IP addresses set locally for proper communication:
  - Local Aux panel IP address (default: 192.168.0.27) on the Facility LAN.
  - Frame IP address (default: 192.168.0.20) on the Facility LAN.
  - Menu panel IP address (default: 192.168.0.25) on the Facility LAN.

Refer to *Changing 4-M/E and 2-M/E Main Panel IP Address* on [page 140](#) for instructions on setting or checking these IP addresses.

5. Verify the LED at the ethernet switch connection to the Facility LAN is active and blinking. Refer to the Local Area Network (LAN) Troubleshooting section on [page 281](#) for more detailed information on network troubleshooting.

## Local Aux Panel Diagnostics

The Local Aux panel diagnostic routine tests the lamps (function and tally states), switches, and source name displays on the panel. The diagnostic routine is accessed using a serial connection from a PC or dumb terminal to the Local Aux panel Diagnostic port on the rear of the panel. The diagnostic

routine is then run with a terminal emulation program (e.g, HyperTerminal).

Refer to [Table 27](#) for an overview of each diagnostic test available, the function of each test and how the test is run. Diagnostic tests are provided for testing by circuit board or by individual pushbutton.

Each diagnostic routine gives step-by-step instructions and results as the tests are run. Follow the prompts on screen to guide you through each test.

Table 27. Local Aux Panel Diagnostics Overview

Diagnostic Test Name	Test Function	Test Procedure
Button Diagnostic	Tests groups of pushbuttons for functionality by circuit board (Aux panel Crosspoint Switch Board Right and Left).	Lights and latches a group of pushbuttons to test associated switch. Select each pushbutton to turn it off.
Intermittent Button Test	Checks low/high/off tally status of any individual pushbutton.	Push any pushbutton anywhere on panel to light in low tally, push again to test high tally and again to turn off.
Lamp Test	Test groups of pushbuttons for high and low tally functionality by circuit board.	Lights and latches a group of pushbuttons in high tally. Push space bar to change all to low tally. Push space bar to turn all off.
Source Name Display Test	Tests all functions on each Source Display installed by circuit board.	Runs routine to test Source Display. Observe display and after each test segment, press space bar/enter to move to next segment.

### Connecting to the Local Aux Panel Diagnostic Port

To connect to the Local Aux panel Diagnostic port:

1. Connect a serial port from the PC or dumb terminal to the Diagnostic port (Female DB-9 connector) with a null modem cable (pins 2 and 3 crossed). The pinouts of a typical null modem cable are listed in [Table 24](#).
2. On the PC, in the **Start** menu, select **Programs/Accessories/HyperTerminal**. In HyperTerminal, select **Properties** under the **File** pull-down. Set the PC communication port you wish to use under **Connect using**, then select **Configure** to bring up the communication settings screen. Set the communication values to those listed in [Table 25](#).
3. Select the ASCII Setup box in **Settings**, and under **ASCII Setup**, check the box for Echo typed characters locally (**Local Echo - ON**).
4. Select **VT100 Emulation** from the pull-down menu under **Settings**.
5. On the rear of the Local Aux panel, near the Diagnostic connector, locate and press the Reset button to start the diagnostic routine.

### Running Local Aux Panel Diagnostics

1. The Diagnostics User Interface menu will appear on the HyperTerminal screen after the Local Aux panel processor is reset with the following selections:

#### **B Begin Diagnostics**



**M Menu Display Control****Q Quit Diagnostics**

2. Press **B** and **Enter** on your keyboard to begin diagnostics. Select the letter or number of the test you want to run and press **Enter**.

Within the routines, press the **esc** key then **Enter** to exit a diagnostic. Use the **X** key to move up in the menu structure in any of the routines.

[Table 28](#) provides the top level diagnostic menu structure for the Local Aux panel tests.

3. When finished with the diagnostic tests, press **Q** to quit.
4. Remove the null modem cable from the diagnostic port and press the Local Aux panel Reset button near the Diagnostic connector to resume operation.

Table 28. Local Aux Panel Diagnostic Menu

Select Control Panel Row for Testing	Select Boards/Device to Test
I Intermittent Button Test	Test any individual pushbutton.
P PCI Test Menu	N/A
D Display Test Menu	N/A
R Right Aux panel Crosspoint Switch Board	T Button Diagnostic L Lamp Test S Source Name Display Test X Up one menu level
B Left Aux panel Crosspoint Switch Board	T Button Diagnostic L Lamp Test S Source Name Display Test X Up one menu level
C Communication port tests	R Router emergency by pass port test D Com 2 Test E Ethernet Test F Control Frame emergency by pass test x Up one menu level

## 24-Crosspoint Remote Aux Panel

### Diagnostic Tests

A series of built in diagnostic tests are built into the Remote Aux panel. There are two ways to enter a diagnostic test:

- Setting the rear panel TEST MODE switches to something other than 0 (zero) (see [Table 29](#), column 2).
- Pressing a combination of front panel switches (see [Table 29](#)).

**CAUTION** Attempting to access test modes not listed in [Table 29](#) may cause the system to malfunction.

### Using the Test Mode Switches

The four TEST MODE switches can be set to any of 16 different settings. Not all of these switch settings address user-accessible tests, and some of the settings may cause system malfunction. For normal operation or to activate a test using the front panel buttons, the TEST MODE switches must all be in the OFF position (zero).

[Table 29](#) lists the test numbers and switch positions for the built-in diagnostic tests. The test number is the sum of the numbers of the TEST MODE switches that are ON.

### Tests Using the Front Panel Switches

**Note** For the front panel push-button tests to function, the rear panel TEST MODE switches must all be set to OFF (zero).

Activating a test from the front panel requires simultaneously pressing the M/E 1, M/E 2, M/E 3, PGM, and another push-button, as defined in Column 3 (Fifth Panel Button) of [Table 29](#). The test will be activated for as long as all the buttons are held down.

Table 29. Test Modes

Test Number	Test Mode 1 2 4 8	5th Panel Button	Test
0	0 0 0 0	--	Normal Operation
1	1 0 0 0	SHIFT	Button Lamp — Press button to light lamp
2	0 1 0 0	24	Lamp Walk — Each lamp lights in sequence; Both high and low tally are displayed
3	1 1 0 0	23	Display Controlled/Enabled Buses — Single bus panels: Displays on source buttons (1A on left, then 1B etc.); 3 RU panel: Lights the delegate button for each bus that is enabled
4	0 0 1 0	22	Display Panel Address on Source Button Lamps — Number is binary; LSB on left
5	1 0 1 0	21	Display Panel Type on Source Button Lamps — 1 = 2 RU panel, 2 = 3 RU panel, 3 = 1 RU panel; Number is binary; LSB on left
6	0 1 1 0	20	Display Panel Software Version on Source Button Lamps — Number is binary; LSB on left
7	1 1 1 0	18	Display Joystick Override Input Port on Source Button Lights; Pin 1 on source button 1 ... pin 8 on source button 8
12	0 0 1 1	N/A	Not used with Kalypso system
13	1 0 1 1	N/A	Panel selects only Near side
14	0 1 1 1	N/A	Panel selects only Far side

## Menu Panel Maintenance

Kalypso Menu panels require no routine maintenance. Refer to the Field Replaceable Units list in *Appendix B-Field Replaceable Units* for replacement parts available for the Menu panel.

### Basic Functionality Checks

The Menu panel has no local status indicators. Proper operation can be noted by the presence of the Windows OS screen or any of the Kalypso menu screens appearing on the Menu panel touch screen display. Check the following steps if experiencing problems.

1. Reset all Control panel surfaces by cycling power.
  - a. Cycle Main panel power to perform an overall reset of the control surface system by turning off the primary and redundant (if present) power supplies inside the Main panel.
  - b. Turn power back on to both supplies.

**Note** The Windows OS Processor controlling the Menu panel takes a minute or two to fully boot up.

2. Check the status of DC power to the Menu panel on the Power Distribution board inside the Main panel at the fuse location identified in [Table 22](#).

3. Check the version of Kalypso software running on the Menu panel by bringing up the Version screen on the Menu panel as described in the steps below. (This also provides a quick check of system communication status with other devices.)
  - a. Go to the Home menu and select **Status & Diags**. The Version screen reports the software version running on each device in the Kalypso system (Frame, RT panel, Menu panel, Aux panel, Still Store). This also verifies that the Menu panel is communicating with all Kalypso devices.
  - b. Check that all reported software versions are identical. If one of the software versions is different, reload the correct software version to that device using the Software Installation Procedure in the current version of Kalypso system *Release Notes*.
4. If the Menu panel does not appear to be communicating with other Kalypso devices, check communication as follows:
  - a. Verify the Menu panel IP address on the Facility LAN by exiting the menu display and entering the NT screen.
  - b. Go to **Settings/Control panel/Network** and select the Protocols tab.
  - c. Select **TCP/IP** and then **Properties**.
  - d. Verify the IP address assigned is correct for a device on the Facility LAN and verify the Subnet mask IP address. Exit this function.
  - e. Run the Kalypso Control panel application on the Menu panel.
  - f. Touch the **Eng Setup** pad and select **Misc**.
  - g. Under the Frame selection, make sure the frame Facility LAN IP address is entered correctly.
5. Verify the LED at the ethernet switch connection to the Facility LAN is active and blinking. Refer to *Local Area Network Troubleshooting on page 281* for more detailed information on network troubleshooting.
6. Make sure no unnecessary software applications have been loaded on the Menu panel NT Processor. Running other applications slows the system down and may interfere with operation.

## Menu Panel Touch Screen Calibration

The Menu panel touch screen calibration procedure is described in detail on *Menu Panel Display Calibration on page 207*.

## Original Menu Panel Diagnostics

**Note** No diagnostics are currently available for the Enhanced Menu panel.

Self-diagnostics are available to test the knobs and pushbuttons on the Original Menu panel. A procedure is also provided to calibrate the touch screen response.

A self-diagnostic for the pushbutton lamps and knobs on the Menu panel can be run on the NT software platform.

To access this diagnostic:

1. On the Menu panel touchscreen, touch the right hand bar at the top of the screen to close the Kalypso program and bring up the NT window.
2. From the NT window, select **My Computer/C:/Program Files/diagnostics**.
3. Open the **diagnostics** folder and find the Diagnostics.exe file.
4. Execute the Diagnostic.exe file to launch the test.
5. Press the **BUTTON TEST** selection to run the pushbutton test on the Menu panel. Press and turn off each illuminated pushbutton until the pop-up menu confirms that all tests have passed.
6. Press **OK** to move to the next test.
7. Press the **KNOB TEST** selection and follow the instructions given on-screen to rotate each knob on the Menu panel. When all of the knobs have been tested and the test is verified as passed, press **EXIT** to close the test dialog window.

## Button Lamp Replacement

Kalypso system panel buttons illuminate, using LEDs or lamps. Different procedures are used for replacement.

**Note** Use care when removing keycaps from a Kalypso panel. Small parts are inside that can fall out and possibly drop into inaccessible areas.

**Note** To prevent scratching keycap parts, wrap pliers jaws with tape before use.

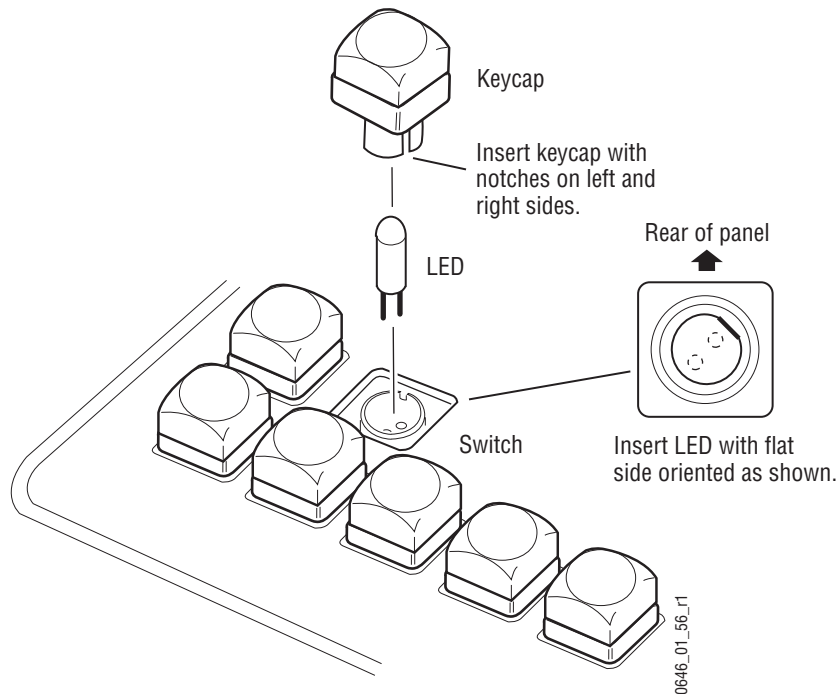
## Main and Local Aux Panel Procedure

The buttons on the Main and Local Aux panels use long-life Light Emitting Diodes (LEDs) which make lamp failure unlikely. If an LED fails to illuminate, it should be investigated and replaced if necessary. For detailed infor-

mation see *Main Panel Diagnostics on page 250* and *Local Aux Panel Diagnostics on page 255*.

1. Pull the keycap up and out of the panel using adjustable jaw pliers (Figure 163). If the entire keycap is not removed, carefully extract the pieces from the switch using pliers and reassemble the keycap (see Figure 166).

Figure 163. LED Replacement



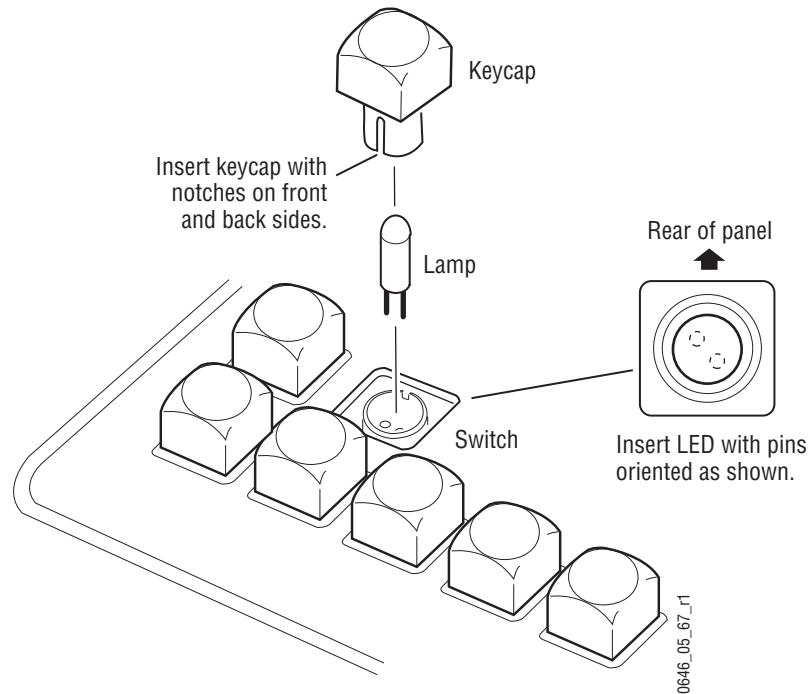
2. Pull the LED out of the switch using needle nose pliers.
3. Replace with a new LED, making sure the polarity is correct as shown in Figure 163 (flat side of LED to rear of switch). The pins must be straight to align with the holes in the switch.
4. Re-insert the keycap so the large notches are on the left and right sides of the switch.

## 24-Crosspoint Remote Aux Panel Procedure

The Kalypso 24-Crosspoint Remote Aux panels use incandescent lamps, and so may occasionally need to be replaced over the lifetime of the panel.

1. Pull the keycap up and out of the panel using your fingers or adjustable jaw pliers (Figure 164).

Figure 164. Lamp Replacement



2. Pull the lamp out of the switch using needle nose pliers.
3. Carefully replace with a new lamp. No special orientation is required, but the pins must be straight to align with the holes in the switch.
4. Re-insert the keycap so the large notches are on the front and back sides of the switch.

## 32-Crosspoint Remote Aux Panel

The LEDs in the 32-Crosspoint Remote Aux panel are soldered to the switch and cannot be replaced in the field. In the unlikely event a failure occurs, contact Grass Valley Customer Service. Contact numbers can be found on the copyright page at the front of this manual.

# Button Labeling

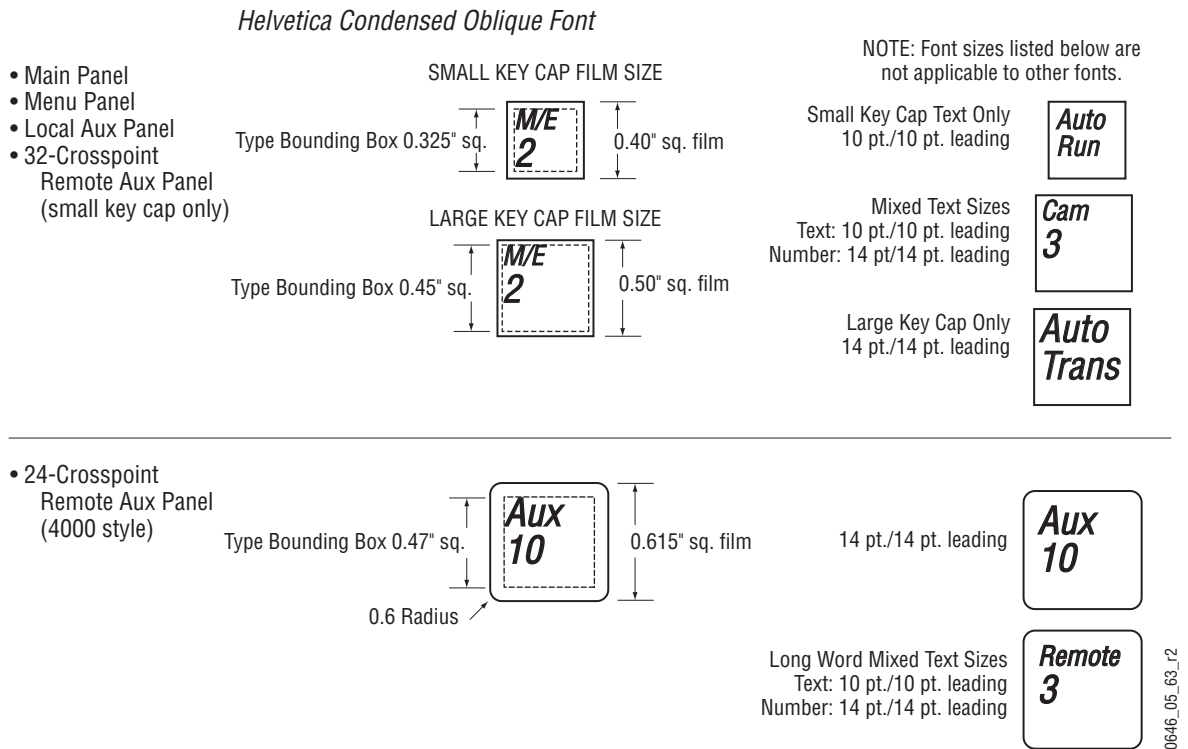
Many buttons on Kalypso system panels can be labeled by inserting film with printed legends under their keycap lenses. 24-Crosspoint Remote Aux panels are shipped with a set of pre-printed labels to be installed by the user. Other Kalypso panels are shipped with blank source selection buttons (source name displays are generally used to identify sources). The remaining Kalypso panel buttons have standard button legends. Custom legends can be printed onto transparency film using a laser printer, then cut to size.

You may want to custom label the Source selection buttons on Remote Aux panels, since these panels do not have Source Name displays. Custom labeling may also be appropriate for the Local Aux panel and Remote Aux panel delegation buttons. The Kalypso system ships with the Local Aux delegation buttons labeled **Aux 1** through **Aux 13**. A system can be configured with more than 13 Aux buses, however, and these higher numbered Aux buses can be mapped to the Local Aux delegation buttons. These delegation buttons can be re-labeled for clarity.

## Specifications

The following specifications (Figure 165) can be used to size the film labels and match the look of the standard Kalypso system buttons.

Figure 165. Kalypso System Keycap Film Specifications





Buttons with legends that do not change (fixed functions) may be internally laser etched, and so do not have film inserts. If you wish to relabel one of these buttons with film you must replace the existing labeled lens with a clear one. Buttons without fixed functions (source select buttons) ship with blank keycaps, suitable for film legends if you decide to always map these buttons to the same sources.

## **Button Label Replacement**

Different button designs are used on various Kalypso control surface panels. The following buttons have a design which provides for label replacement:

- Large Kalypso button (used on Main Panel, Menu Panel, Local Aux panel),
- Small Kalypso button (used on Main Panel, Menu Panel, Local Aux panel. Two types of this button exist; an older style with a 2 part base, and the newer style with a 1 part base),
- 32-Crosspoint Aux button, and
- 24-Crosspoint Aux button (4000 model design).

A working button consists of a switch, an LED or lamp, and a removable keycap. A keycap, in turn, can consist of a base, diffuser, film label, and lens. The various button designs are similar, but their differences affect the procedures used when changing button labels.

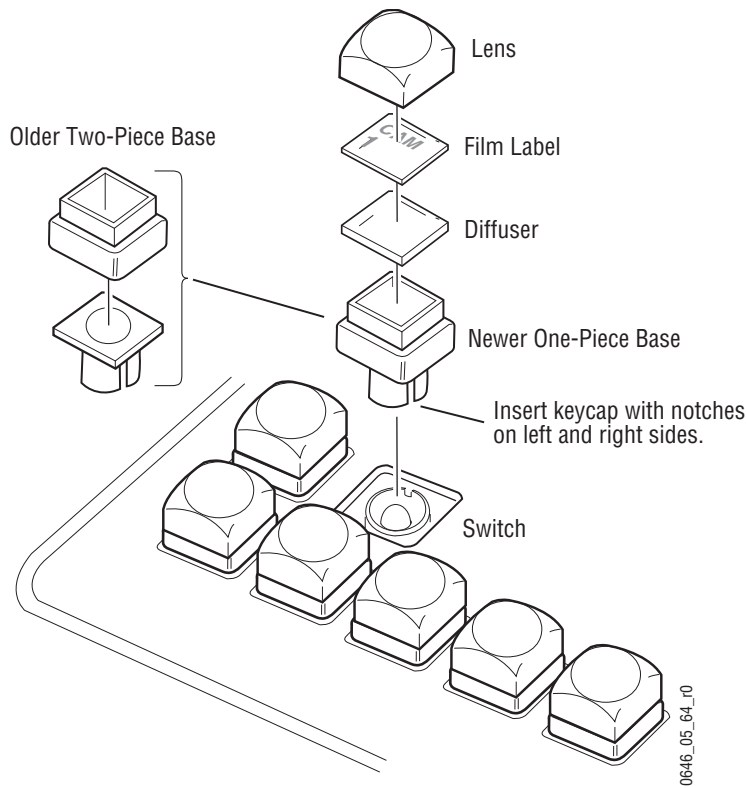
**Note** Use care when removing keycaps from a Kalypso panel. The keycaps have small parts inside that can fall out and possibly drop into inaccessible areas.

**Note** To prevent scratching button parts, wrap plier jaws with tape before use.

## Large and Small Kalypso Button Procedure

1. Pull the keycap out of the panel using adjustable jaw pliers. You may remove the entire keycap, the lens may separate from the base, or on older small keycaps only part of the base may come out.
  - If only the lens separates, make sure you retain all the parts inside (diffuser and film label).
  - If the lens comes out with part or all of the base attached, pry the lens off the base using a small straight blade screwdriver inserted into the small slots on the sides.

Figure 166. Kalypso Buttons

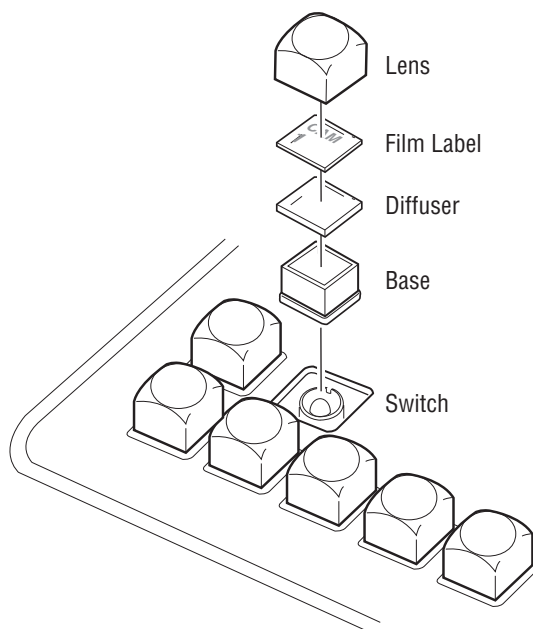


2. Extract the diffuser and existing film from inside of the lens. If the parts are wedged inside, use sticky tape to remove them. Avoid using sharp tools that can scratch the lens material.
3. Insert the new film label and diffuser into the lens, label first, and replace the lens on the base. Orient the label so the slots in the base are located on the sides.
4. Re-insert the keycap so its slots are on the left and right sides of the switch.

## 32-Crosspoint Aux Panel Button Procedure

1. Pull the keycap out of the panel, using your fingers or adjustable jaw pliers.

Figure 167. 32-Crosspoint Aux Panel Button



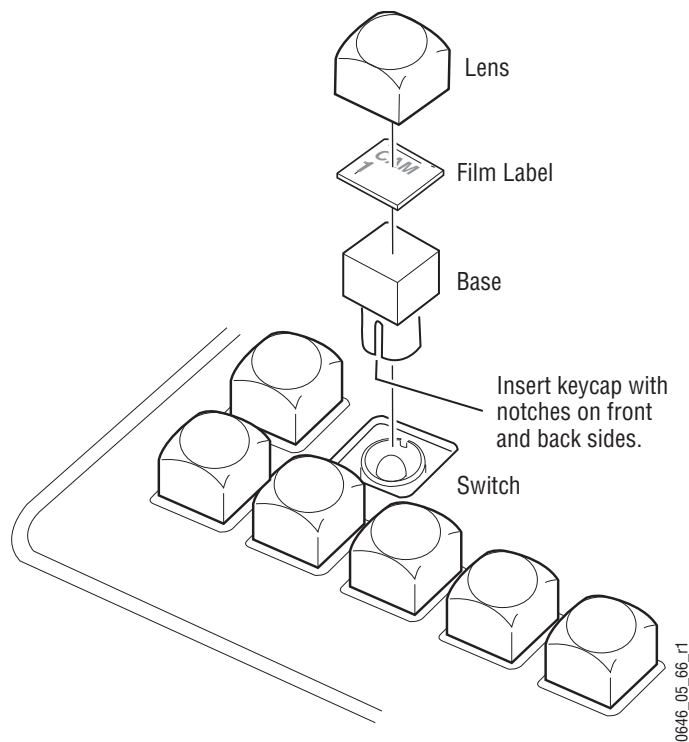
0646\_05\_65\_r1

2. Extract the diffuser and any existing film from inside of the lens. If the parts are wedged inside, you can use sticky tape to remove them. Avoid using sharp tools that can scratch the lens material.
3. Insert the new film label and diffuser into the lens, label first, and replace the lens on the base.
4. Re-insert the keycap into the switch. The keycap fits into the switch in any orientation.

## 24-Crosspoint Aux Panel Button Procedure

1. Pull the keycap out of the panel, using your fingers or adjustable jaw pliers.

Figure 168. 24-Crosspoint Aux Panel Button



2. Using needle nose pliers, pull the keycap base out of the lens.
3. Extract the diffuser and any existing film from inside of the lens. If the parts are wedged inside, use sticky tape to remove them. Avoid using sharp tools that can scratch the lens material.
4. Insert the new film label and diffuser into the lens, label first, and replace the lens on the base. Orient the label so the slots in the base are located on the front and back.
5. Re-insert the keycap so the button slots are on the front and back sides of the switch.

## Software Installation

Kalypso systems are shipped with the current software version. Updates to Kalypso system software are supplied on CD-ROM, which includes an Update Tool. The Kalypso Software Update Tool installs various software components for the Menu panel, Video Processor frame, Main panel, and

Local Aux panel. If your system is running an older version of software, update to the latest version before configuring your system. Refer to the *Release Notes* which ship with software updates for complete software installation instructions.

**CAUTION** Do not recycle power on the Main or Menu panel to reset them during a software installation. Recycling power results in an incomplete software install and produces error messages. Recycling power during a software installation necessitates a software reload, followed by a proper system reset using the Reset buttons.

## Boot Dial Switch

The Boot dial switch position **1** (one) of all Kalypso system processors is designed for loading boot software in the event the Kalypso software crashes during installation. It boots the processor with only the operating system and an FTP server. The normal position of the Boot dial switch is position **0** (zero) for operating mode.

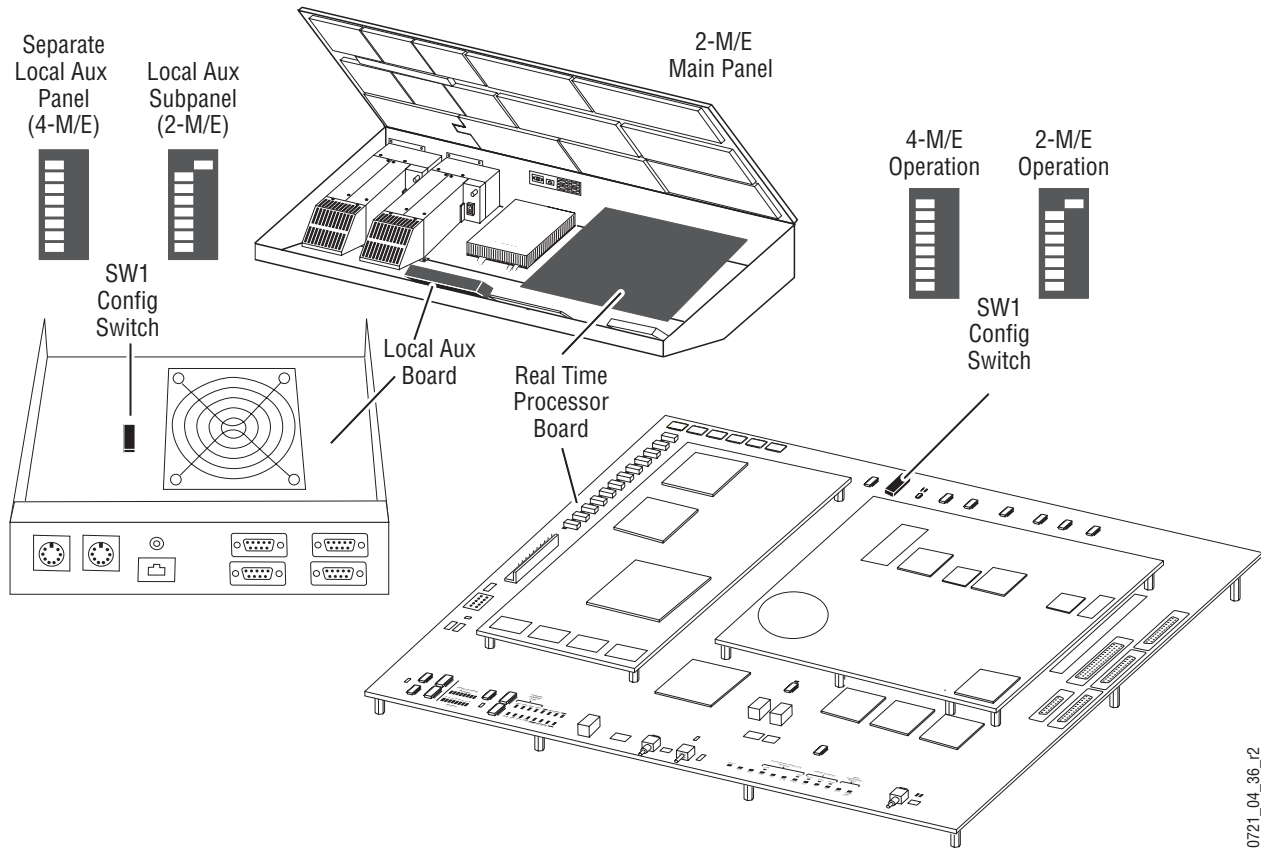
**Note** The Kalypso HD/Duo Still Store cannot have its software updated in frame boot position 1 or 2. If a Kalypso HD/Duo frame software update is required in either of these boot positions, uncheck the Still Store box, update the frame software, reboot the frame in position 0, run the installer, check only the Still Store box, and then install its software (the “install current” option can be used to save time). This does not apply to Kalypso Classic systems.

## Main Panel Configuration Switches

A configuration DIP switch on the RT Processor board in the tub of the Main panel is used to set the panel for 4-M/E or 2-M/E operation ([Figure 169](#)). This switch is set at the factory for the correct panel type and should not need to be changed. If the switch is in the wrong position (a replacement board may have been installed) incorrect software will load during an update and the panel will not operate. If this occurs, set the switch correctly and reinstall the panel software. The uppermost switch 1 (nearest the panel hinge) is set to the left (off) for 4-M/E operation, and to the right (on) for 2-M/E operation. All other switches should be off.

A configuration DIP switch located on the Aux panel board inside the 2-M/E Main panel ([Figure 169](#)) also controls software loading during an update. On 2-M/E systems this switch is set at the factory for Local Aux subpanel operation, rather than for the separate Local Aux panel used by 4-M/E systems. The uppermost switch 1 (farthest into the tub) is set to the right (on) for 2-M/E operation. All other switches should be off. The same switch resides inside the separate Local Aux panel used by 4-M/E systems, but it is not accessible to the user. This switch is set at the factory to the left (off) for 4-M/E operation.

Figure 169. Configuration Settings



0721\_04\_36\_r2

## Clear NV Memory Procedure

Kalypso system non-volatile memory (NV Memory) contains Engineering, Suite, and User configuration data, and also has data for all the effects registers. This data is stored as files on the Video Processor frame hard disk, and is loaded on bootup. Errors in this data could cause Kalypso system problems, which may be overcome, perhaps only temporarily, by clearing the NV Memory.

**Note** You should have backup copies of your configuration and E-MEM files compatible with your current software version so they can be restored after the NV Memory is cleared.

### To Clear Kalypso NV Memory:

1. Reset the Video Processor Frame using the engineering boot dial setting.
  - a. Turn the Video Processor frame Control module **COMM Boot** dial switch to position **1**. Position 1 boots the control processor operating system without launching the Kalypso application, to permit software update if the application hangs repeatedly.

**CAUTION** If you leave the switch in position 0 (zero), the files cleared will be rewritten within 10-30 seconds and may become corrupted. Set position 1 (one) to suspend all normal processes, clear the files, and prevent the files from being rewritten automatically.

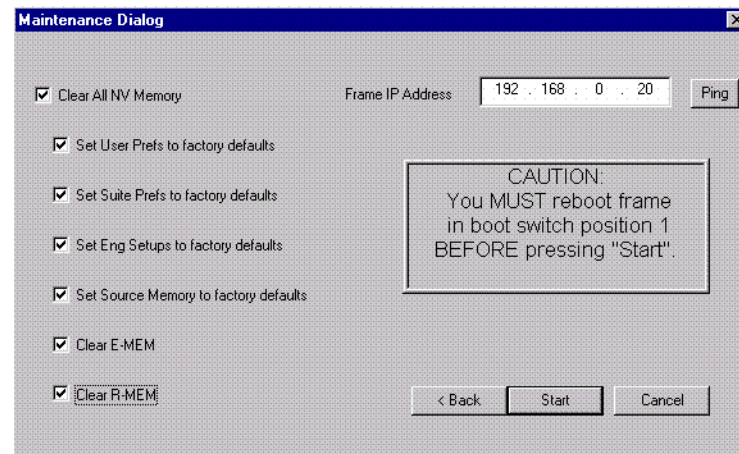
- b. Press the **Reset** button and allow at least 30 seconds for the system to reboot. The frame must be reset after changing the boot switch position. Simply moving the switch does not affect a running system.

**CAUTION** If you do not wait at least 30 seconds for the frame to reboot, data may become corrupted.

## 2. Clear NV Memory.

- a. Run the Kalypso Install program from the desktop (if it has been installed) or from the Kalypso Software CD.
- b. Select the **Clear NV Memory** box, then touch **Next**. The following screen will appear (Figure 170).

Figure 170. Clear NV Memory Categories Menu



- c. Ensure the IP address is correct and **Ping** to confirm the connection.
  - d. Check the boxes of the items you wish to clear. The **Clear All NV Memory** box toggles all the check boxes on or off.
  - e. Touch **Start** and confirm the dialog box by touching **OK**.
  - f. A progress bar will be displayed. When done, touch **OK**.
- ## 3. Reset the Video Processor frame again, using the zero boot dial setting.
- a. Turn the Video Processor frame **COMM Boot** dial switch to position **0**.
  - b. Press the **Reset** button and allow at least 30 seconds for the system to reboot.

4. Restore your backup files in the following order:
  - a. Reload your backup Engineering Setup file and make sure it is correct by, for example, checking that the proper source names appear in the Eng Setups Sources menu.
  - b. Load a Suite Profile, and check that the Suite Preferences settings are correct.
  - c. Load a User Profile and check that the User Preferences settings (Button Mapping for example) are correct.
  - d. Load some E-MEMs and run them to check that they operate correctly.
5. If there are any problems with any of the restored files, they may have become corrupted and need to be deleted and rebuilt. If a problem file locks the system, you may need to drain NV Memory again to restore system operation, but you will know what file is responsible. Contact Grass Valley Customer Service if you need troubleshooting assistance.

## Software Option Authorization

### Introduction

Some Kalypso system options have software components that can be enabled via an authorization process, using authorization codes. Authorization codes are also used for tracking maintenance contracts.

New Kalypso systems ship with the appropriate authorization codes installed, enabling all purchased options. When new optional features become available, Grass Valley sends new authorization codes to the customers.

### Authorization Codes

The authorization process involves receiving an authorization code from Grass Valley and entering it in a menu on the Kalypso system. The authorization code is associated with a particular Kalypso Video Processor frame, identified by a System ID#, and is not transferable to different hardware. If you have multiple Kalypso systems at your facility, you will need to enter an authorization code onto each system.

Standard authorization codes (Permanent) apply to purchased options and maintenance contracts. Other authorization codes (Temporary) may also be available that can enable selected options for a limited time. Temporary authorizations can be used for trial demonstrations and other special pur-



poses. Temporary authorizations add to any permanently enabled options, but these additional options are disabled after the allotted time elapses.

## Expiration Dates

Maintenance contract and temporary authorizations have expiration dates. Messages will be posted on the Kalypso Menu when an expiration date approaches. Expirations occur at midnight, but do not immediately go into effect. Instead, any expired options continue to operate until the system is power cycled or reset, at which time the options are disabled. This is intended to prevent loss of functionality during on-air operations. Expiration of the maintenance portion of an authorization will not disable any options.

## Authorization Procedure

### Acquire Authorization Code

Grass Valley will be sending authorization codes to all Kalypso system customers. If you have received your codes and the Kalypso system IDs are correct, proceed to *Enter Permanent Authorization Code* on [page 274](#). If you do not have valid authorization codes you will need to acquire them from the Grass Valley.

1. Kalypso Release 12.0 needs to be installed on the system whose options you wish to authorize.
2. With version 12.0 software installed, go to the Eng Setup - Install Options menu (**Eng Setup/Install Options**) ([Figure 171](#)).

Figure 171. Install Options Menu



3. Write down the System ID # displayed on the lower left portion of the menu.
4. If you have more than one Kalypso system, repeat the above steps on every system that will have options enabled.
5. Contact Grass Valley Customer Service and request a code for each Kalypso System ID#. If options have not already been purchased, you can order the options directly from the service representative.

### Enter Permanent Authorization Code

1. With version 12.0 software installed, go to the Eng Setup - Install Options menu (**Eng Setup / Install Options**) on the Menu Panel of the system whose options you are enabling (Figure 171 on page 274). Confirm that the System ID # on the menu matches the System ID# of the authorization code.
2. Touch the **Perm** button in the Option Group pane.
3. Touch the New Auth Code for Perm data pad and enter the code on the pop-up keypad.

**Note** System ID# and Authorization Codes are alphanumeric and need to be entered exactly. Authorization codes do not use the letters “o” or “l” to avoid confusion with the numbers “0” and “1”. The dashes in authorization codes are required for use.

4. Touch the button labeled either **Replace** or **Install** next to the new authorization code. The codes will be added and the expiration date of any maintenance contract will be indicated. If you do not believe the option statuses reported are correct, contact Grass Valley Customer Service to resolve the issue.
5. If options were removed, reset the Video Processor frame.

**Note** When an option is removed, it remains operational until the Video Processor frame is reset or power cycled. When an option is added, it becomes operational immediately without requiring a frame reset.

6. Write down the authorization codes, specifying which system they apply to, and store this information in a safe place, should you need to re-enter the codes at some time in the future.

### Temporary Authorizations

For demonstration or rental, optional features can be authorized temporarily. Once you have obtained the temporary authorization code, enter it on the Kalypso system using the procedure described above, except you first select one of the **Temp** buttons. Temporary authorization information is displayed on the right portion of the menu. Up to four temporary authorizations are allowed at a time. Temporary authorization features that are removed remains active until the Video Processor frame is reset.

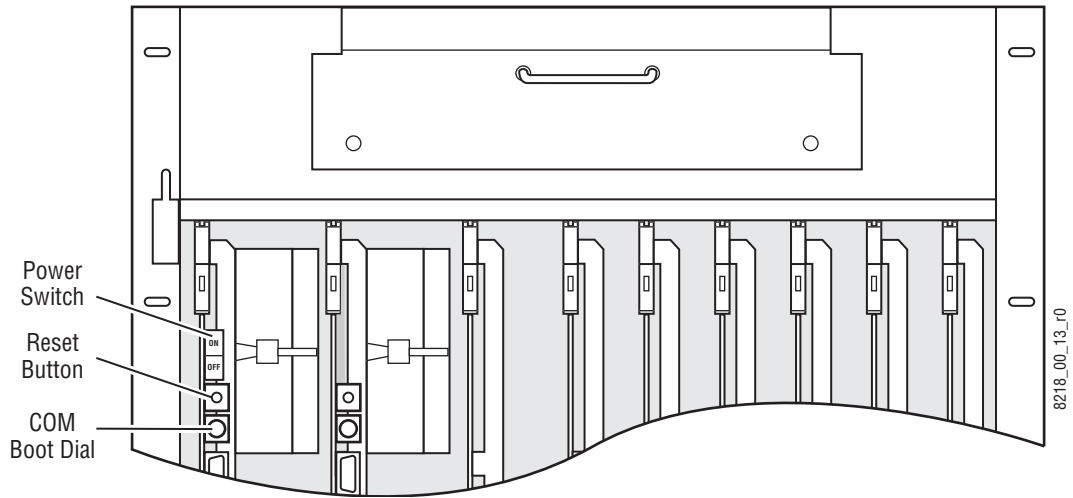
## Hardware Reset Procedures

Devices need to be reset after software has been installed. Resetting devices may also be necessary for service or troubleshooting purposes.

### Video Processor Frame Reset

The reset button for the Video Processor frame is located inside the front door, on the upper part of the Control module in Slot 1 ([Figure 172](#)).

Figure 172. Control Module Reset Button

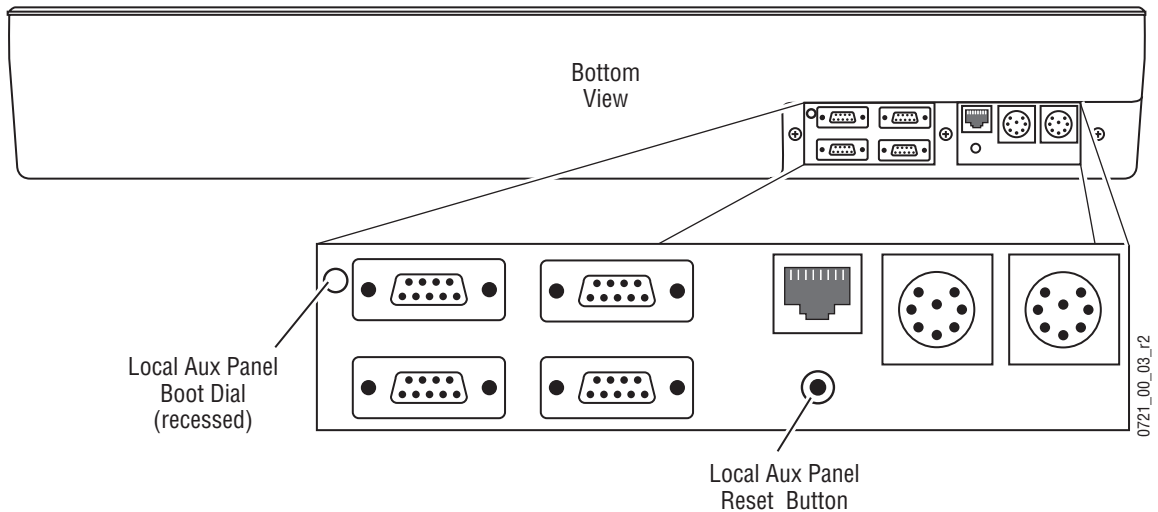


The COM Boot dial must be set to 0 (zero) for normal software updates. This is the default setting. Setting this dial switch to 1 (one) allows for loading boot software, including IP address setting. If the application crashes during initialization, using the 1 setting makes the processor boot with only the operating system and an FTP server, and does not launch the Kalypso application.

## Local Aux Panel Reset

The Reset button for the Local Aux panel supplied with a 4-M/E Kalypso system is located on the bottom connector plate (Figure 173). The Reset button for the built-in Local Aux subpanel of the 2-M/E Kalypso system is located inside the Main panel tub (see Figure 175 and Figure 178).

Figure 173. Local Aux Panel Reset Button



## Late Model Main Panel Reset

The reset button for a late model Main panel is located inside the Main panel tub (Figure 174 and Figure 175), and are accessed by opening the top lid.

The Boot dial switch next to the Main panel Reset button has a 0 (zero) default setting, which is used for normal software updates and system operation. Setting the Boot dial switch to position 1 (one) allows for loading boot software in the event the application crashes during installation. It boots the processor with only the operating system and an FTP server, and does not launch the Kalypso application.

Figure 174. Late Model 4-M/E Kalypso Main Panel Reset Switches

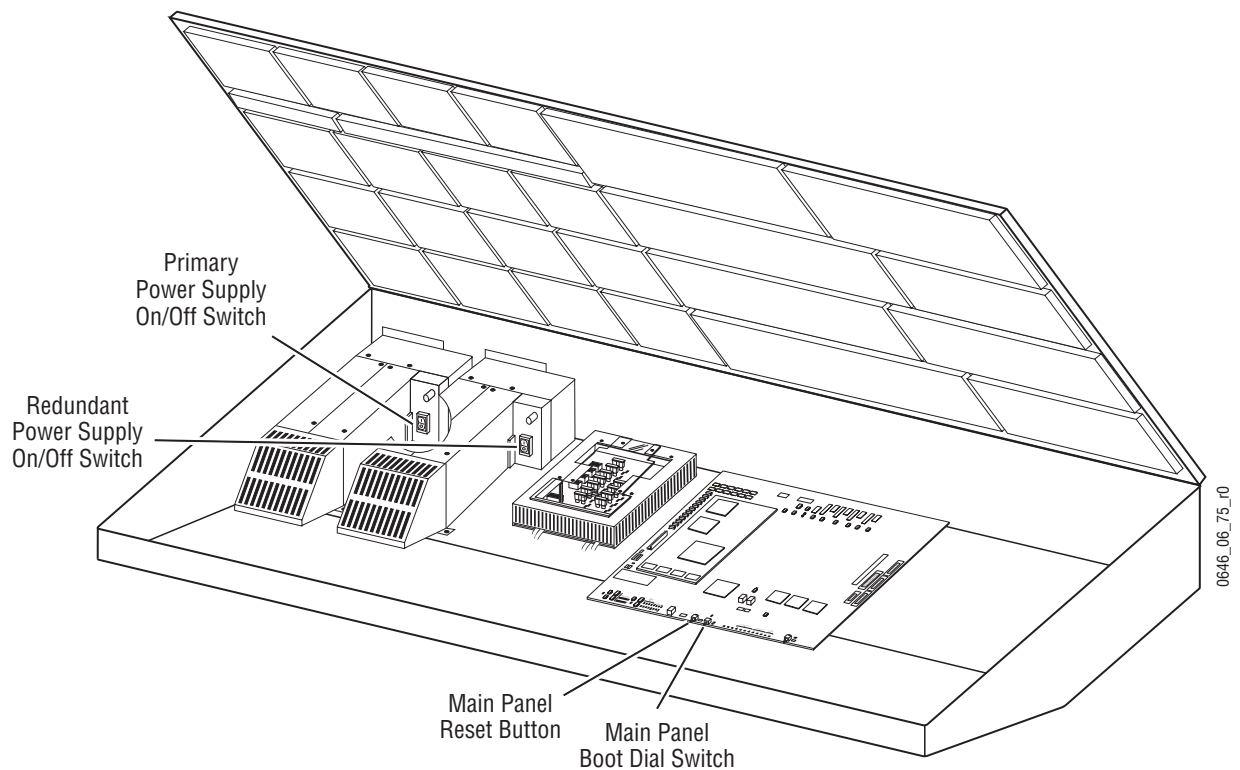
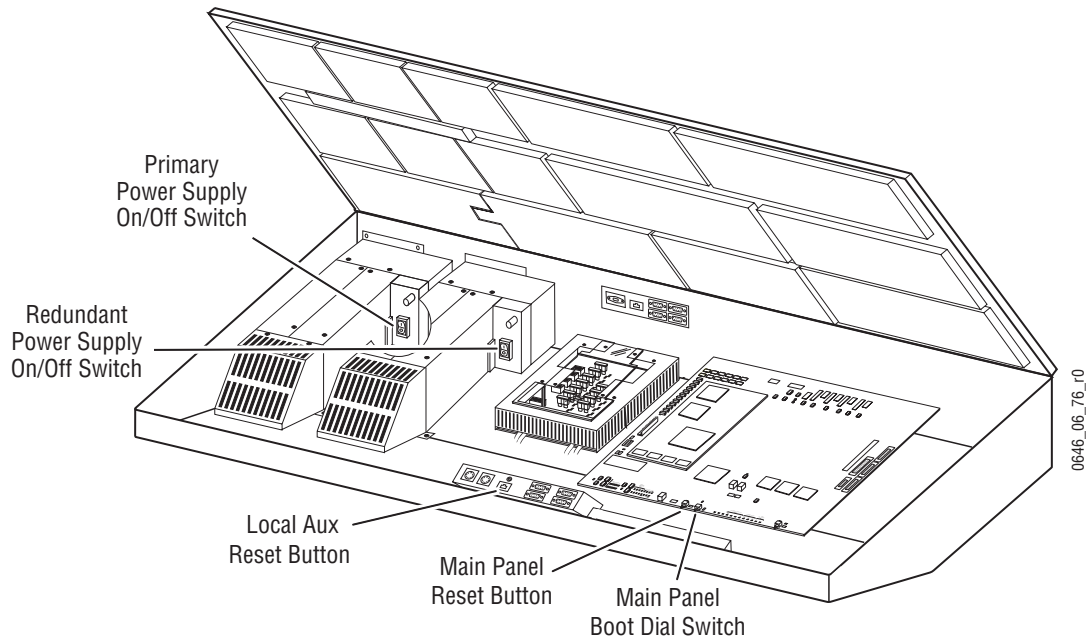


Figure 175. Late Model 2-M/E Kalypso Main Panel Reset Switches

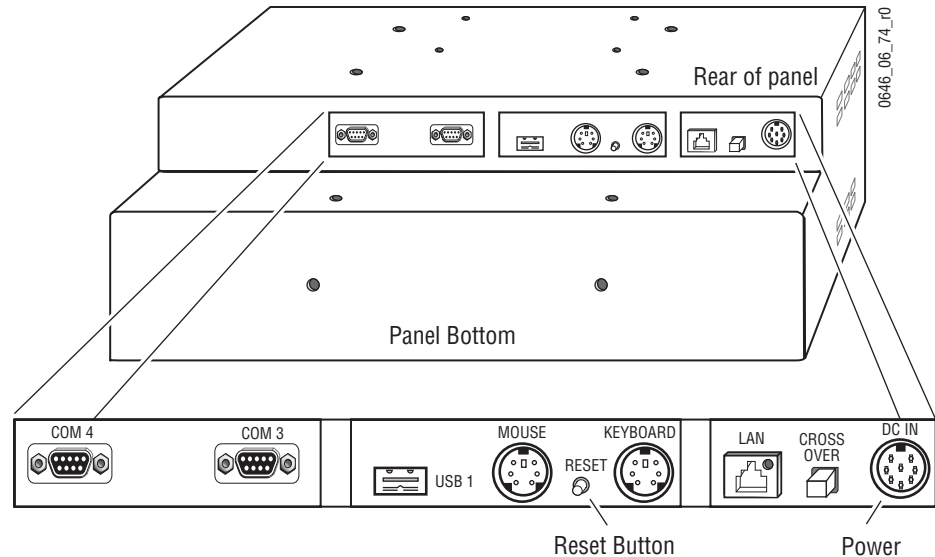


## Enhanced Menu Panel Reset

**CAUTION** The recommended method to use to reset the Menu panel is to go to the Home menu, touch the **Shutdown OS** button, and choose either the Shut down or Restart the Computer options. This ensures the operating system does an orderly shutdown before the hardware is reset. Data corruption is possible if the operating system is interrupted when performing some operations.

The Enhanced Menu panel has a hardware reset button located on the bottom of the panel (Figure 176).

Figure 176. Enhanced Menu Panel Reset Button Location



This button can be used if there is a problem with the Menu panel preventing use of the method described above. Interrupting and restoring power to the Menu panel will also cause a reset.

## Early Model Main Panel and Original Menu Panel Reset

The reset buttons for the Main panel and Menu panel are located inside the Main panel tub (Figure 177 and Figure 178 on page 280), and are accessed by opening the top lid. The Main panel Reset switch is located on the left and the Menu panel Reset button is located on the right.

**CAUTION** The recommended method to use to reset the Menu panel is to go to the Home menu, touch the **Shutdown OS** button, and choose either the **Shut down** or **Restart** options. This ensures the operating system does an orderly shutdown before the hardware is reset. Data corruption is possible if the operating system is interrupted when performing some operations.

The Boot dial switch next to the Main panel Reset button has a 0 (zero) default setting, which is used for normal software updates and system operation. Setting the Boot dial switch to position 1 (one) allows for loading boot software in the event the application crashes during installation. It boots the processor with only the operating system and an FTP server, and does not launch the Kalypso application.

Figure 177. Early Model 4-M/E Kalypso Main Panel Reset Switches

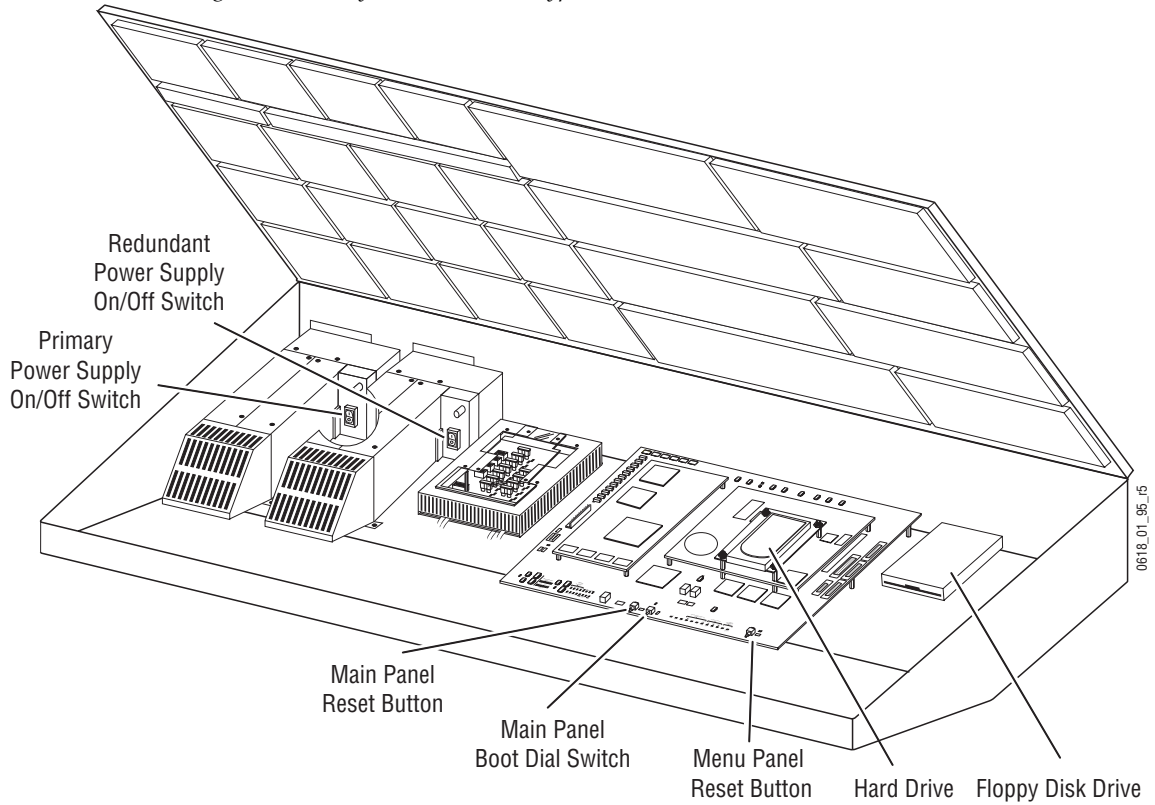
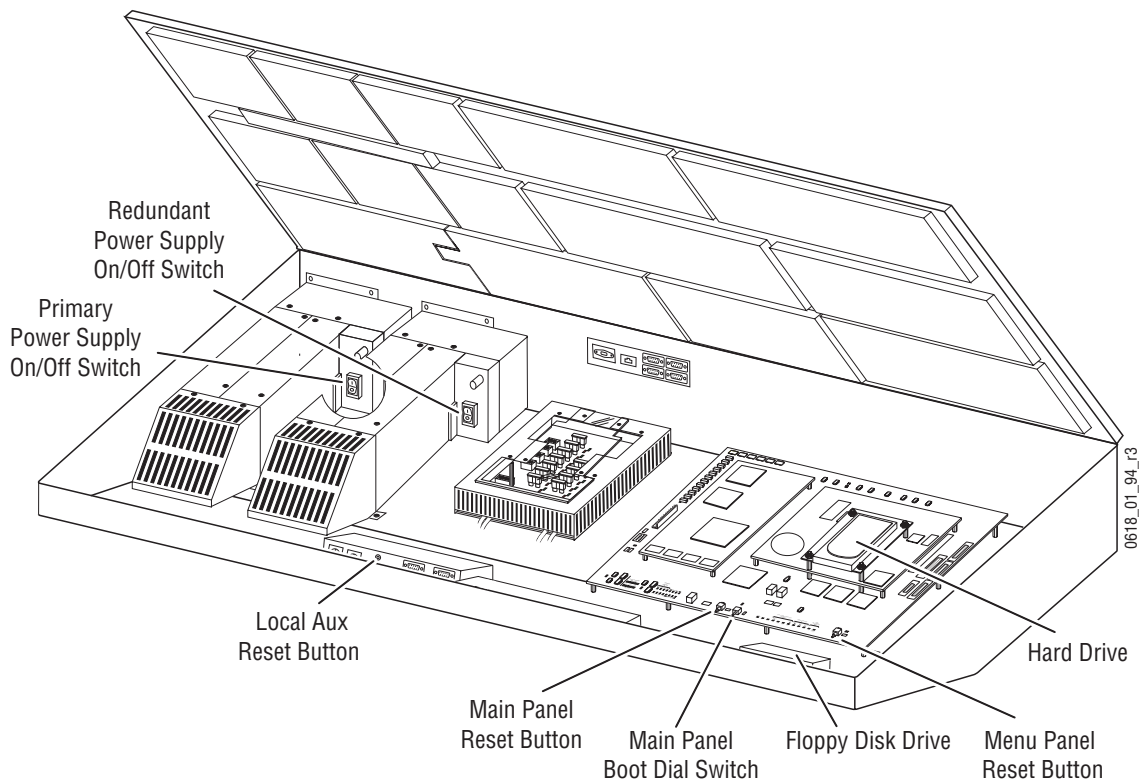


Figure 178. Early Model 2-M/E Main Panel Reset Switches





# Local Area Network Troubleshooting

The Kalypso Video Production Center is designed to utilize networking to communicate with other devices. For a detailed overview of the Control panel and Facility LAN requirements, refer to *LAN Requirements on page 116*.

The following procedure assumes that the system has been up and running after installation. Follow the basic guidelines below for troubleshooting networking problems.

## Verify Physical Layer

Verify the physical layer (basic electrical and mechanical) is functioning properly.

- Trace the network cables to the source if possible and check functionality.
- Check that run lights at all network switch locations are on and blinking.
- Check cabling for loose connections.

Verify that any changes made to the physical LAN since installation — such as re-wiring — have been done properly.

## Verify IP Addressing

Refer to *IP Addresses on page 134* for a detailed description of the IP addressing requirements of the system. Note that all Kalypso devices requiring an IP address also have requirements for knowing the other device's IP addresses that they communicate with. This is a key factor in troubleshooting a system.

The IP address for a device must be configured at the device. There are several different methods of setting the IP addresses.

Verify IP addressing for other devices that have may been added to the network, and any changes in the network itself (merged with a larger network for example).

## Ping Network Devices

Use the **ping** command to ping the device itself for verification then the other remote network devices. Pinging a remote device checks communication to that device but does not verify that an application is running on the remote device.

To issue the **ping** command:

1. If the Kalypso application is currently running on the Menu panel, exit the application by touching the upper right message area of the Kalypso menu.
2. When the NT desktop appears, select **Start/Run**, then type:

```
ping [IP address]
```

and press the **Enter** key.

If the device doesn't respond, simultaneously press the **ESC** and **C** keys to exit the ping test.

## NetCentral Support

The NetCentral system is a suite of software modules, residing on one or more centrally located computers. These modules work together to monitor and report the operational status of devices (broadcast equipment such as a Kalypso system or a modular frame, etc.), using Simple Network Management Protocol (SNMP).

The Kalypso NetCentral option provides support for NetCentral (via a NetCentral agent) but does not include the actual NetCentral product, which is available separately. Once the Kalypso NetCentral agent is installed and configured, the Kalypso system can be monitored by NetCentral, or by any SNMP manager.

## NetCentral Capabilities

When the NetCentral option is installed and configured, the Kalypso system automatically sends trap messages to the NetCentral Monitoring Station, reporting Kalypso system status. The NetCentral system can be configured to listen to and respond to these trap messages. Each trap message is assigned a severity status and a response. The responses can range from log the status to sound an alarm, or send E-mail, or call someone on the phone or pager.

Kalypso trap messages are related to the condition of the Video Processing Frame, the Main Control Panel, and the software. The physical condition of the Power Supplies, the Fans, the Modules, and the overall temperature are reported. Software is monitored for version match/mismatch status, option status, license status, and operating status. A list of all the SNMP trap messages possible from a Kalypso can be generated and printed at the Monitoring Station.

## Kalypso NetCentral Option Installation

### Install Agent on Kalypso System

SNMP must be installed on the Kalypso Menu panel before the NetCentral Agent software can be installed. The SNMP is available on the official Microsoft Windows OS CD provided with your system. Use the CD to install SNMP.

**Note** SNMP messages originating from Grass Valley equipment conform to the SNMPv1 protocol (IETF RFC 1157). These messages can also be trapped by other SNMP management stations.

With SNMP installed, insert the Kalypso 7.5 Software CD into the Kalypso CD drive and select the **NetCentral Agent Configuration Tool** option. The Agent software package installed includes a utility used to configure the installed agent.

### Net Central Monitoring Station Configuration

Refer to the separate *NetCentral User Guide* for specific instructions on how to install, configure, and use NetCentral with the Kalypso system.



# Specifications

Table 30. Kalypso HD/Duo Mechanical Specifications

Component	Depth	Width	Height	Weight <sup>1</sup>	Rack Units
<b>Standard</b>					
Video Processor Frame - HD/Duo	523 mm / 20.56 in. <sup>2</sup>	483 mm / 19 in.	578 mm / 22.75 in.	46 kg / 100 lb	13
4-M/E Main Control Panel	624 mm / 24.58 in. <sup>3, 4</sup>	1410 mm / 55.5 in. <sup>4</sup>	189 mm / 7.44 in. <sup>5</sup>	86 kg / 189 lb	N/A
2-M/E Main Control Panel	483 mm / 19.0 in. <sup>3, 4</sup>	1252 mm / 49.31 in. <sup>4</sup>	207 mm / 8.3 in. <sup>5</sup>	63 kg / 138 lb	N/A
1-M/E Main Control Panel	400 mm / 15.73 in. <sup>6</sup>	458 mm / 18.02 in. <sup>7</sup>	101 mm / 3.99 in. <sup>8</sup>	11.34 kg / 25 lb	9
Local Aux Panel	99 mm / 3.9 in.	668 mm / 26.3 in.	183 mm / 7.2 in.	15.88 kg / 35 lb	N/A
Menu Panel	109 mm / 4.30 in.	375 mm / 14.75 in. <sup>9</sup>	257 mm / 10.1 in.	7.7 kg / 17 lb	7 <sup>10</sup>
Video Processor Power Supply Frame	406 mm / 16.0 in.	483 mm / 19.0 in.	89 mm / 3.5 in. <sup>11</sup>	15 kg / 33 lb <sup>12</sup>	2 <sup>11</sup>
<b>Options</b>					
KAL-24AUX1 Remote Aux Panel	51 mm / 2.0 in.	483 mm / 19.0 in.	45 mm / 1.75 in.	1.02 kg / 2.25 lb	1
KAL-24AUX2 Remote Aux Panel	64 mm / 2.5 in.	483 mm / 19.0 in.	89 mm / 3.5 in.	2.04 kg / 4.5 lb	2
KAL-24AUX3 Remote Aux Panel	64 mm / 2.5 in.	483 mm / 19.0 in.	133 mm / 5.25 in.	3.06 kg / 6.75 lb	3
KAL-32AUX1 Remote Aux Panel	133 mm / 5.25 in.	483 mm / 19.0 in.	44 mm / 1.75 in.	0.93 kg / 2.06 lb	1
KAL-32AUX2 Remote Aux Panel	108 mm / 4.25 in.	483 mm / 19.0 in.	89 mm / 3.5 in.	1.02 kg / 2.25 lb	2
Shot Box	172 mm / 6.75 in.	216 mm / 8.5 in.	51 mm / 2 in.	1.22 kg / 2.7 lb	N/A

<sup>1</sup> All weights approximate.

<sup>2</sup> Allow an extra 102 mm (4 in.) for cable.

<sup>3</sup> Allow a minimum of 152 mm (6 in.) of clear space at the rear of the Main panel below the mounting surface for proper cable clearance and air flow. Allow an extra 203 mm (8 in.) to 254 mm (10 in.) of mounting surface behind the Main panel for peripheral components (e.g., Local Aux panel).

<sup>4</sup> Indicated measurement is for lid. Refer to installation detail for tub measurements.

<sup>5</sup> Add 13 mm (0.5 in.) for rubber feet on bottom of tub if required. Indicated measurement is from bottom surface of tub to top surface of lid.

<sup>6</sup> Indicated measurement is for top surface of panel. Refer to installation detail for tub measurements.

<sup>7</sup> Indicated measurement is for top surface of panel. Add 27 mm (1.06 in.) for mounting brackets.

<sup>8</sup> Indicated measurement is from bottom surface of tub to top surface of panel.

<sup>9</sup> Allow an extra 147 mm (5.8 in.) clearance for the CD-ROM and fan exhaust.

<sup>10</sup> Optional Flush Mount kit.

<sup>11</sup> Allow for additional height of 133 mm (5.25 in.), in the event that a 3 RU replacement Video Processor Power Supply frame is required.

<sup>12</sup> Includes optional redundant power supply module.

Table 31. Kalypso HD and Duo General Specifications

Power
-------

Table 31. Kalypso HD and Duo General Specifications - (continued)

Video Processor Frame Power Supply	Power Consumption	100-125 VAC or 200-250 VAC autorange, 50-60 Hz power factor corrected 900 W (typical), 1200 W (maximum)
Main Panel Power Supply	Power Consumption	100-125 VAC or 200-250 VAC autorange 50-60 Hz power factor corrected 4-M/E: 600 W (typical), 800 W (maximum) 2-M/E: 600 W (maximum)
Local Aux Panel Power Supply	Power Consumption	100-125 VAC or 200-250 VAC Usually powered through Main Panel, 50 W if powered externally.
<b>Environmental</b>		
Temperature Range	Frame, Local Aux Panel, Menu Panel	Ambient temperature for specifications: 20° to 30° C (68° to 86° F) Ambient temperature for operation: 0° to 40° C (32° to 104° F)
	Main Control Panel	Specification: 20° to 30° C (68° to 86° F) Operational: 0° to 35° C (32° to 95° F)
Relative Humidity		Up to 95% (non-condensing)
Vibration		ASTM D 4728 Fig X1.1, table X1.1, Truck Profile

Table 32. Kalypso HD and Duo System Video Specifications

<b>Video Standards</b>			
HD Mode		SD Mode	
1080i 29.97/30	SMPTE 274M Table 1-4, 5	525i 59.94	SMPTE RP-259M
1080i 25	SMPTE 274M Table 1-6	625i 50	SMPTE RP-259M
1080p 24/23.976	SMPTE 274M Table 1-10, 11		
1080sF 24/23.976	SMPTE RP211 Table 1-15, 16		
720p 60/59.94	SMPTE 296 Table 1-1, 2		
<b>Video Inputs and Outputs</b>			
Number of Inputs		90 non-looping (15 standard, up to 90 total in 15 input option increments)	
Number of Outputs		24 for 2-M/E, 48 for 4-M/E	
Type of Connectors		75 ohm BNC	
Number of Bits		10	
<b>Serial Digital Video Input</b>			
Nominal Amplitude		800 mV peak-to-peak terminated	
Return Loss		> 15 dB, 5 MHz to 1.5 GHz	
Ancillary Data	User Selectable	Blanked or Passed	
	Aux Buses	Always passes ancillary data	
	PGM A-D	Blank or pass ancillary data from any input (Background source and blank/pass independent for all four)	
	Preview A-B	No ancillary data	
Input Impedance		75 ohm	
Maximum Cable Length Equalized (Belden 1694 type)		100 m (328 ft)	

Table 32. Kalypso HD and Duo System Video Specifications - (continued)

<b>HD Serial Digital Video Output</b>		
Nominal Amplitude	800 mV peak-to-peak across 75 ohm	
Return Loss	> 15 dB, 5 MHz to 1.5 GHz	
Rise and Fall Times (between 20% and 80% amplitude points)	≤ 270 picosecond	
Timing Jitter	≤ 1 UI	
Output Impedance	75 ohm	
<b>Analog Reference Input</b>		
Signal Type	HD Mode	Tri-level sync
	SD Mode	Color Black (NTSC 525/60 Hz or PAL 625/50 Hz)
Return Loss	> 40 dB, up to 5 MHz	
Connectors	2 BNC loop-through	
Impedance	75 ohm external	

Table 33. Kalypso HD and Duo System Timing

<b>System Timing</b>	<b>HD Mode</b>			<b>SD Mode</b>	
	<b>720p/59.94/60</b>	<b>1080i/29.97/30</b>	<b>1080i/25</b>	<b>525i/60</b>	<b>625i/50</b>
Nominal Switcher Delay	19.79 μs	23.50 μs	26.46 μs	59.81 μs	60.04 μs
Serial Input Autotiming	+/- 2.45 μs	+/- 6.16 μs	+/- 9.12 μs	+/- 2.74 μs	+/- 2.96 μs
Minimum Switcher Delay	17.34 μs	17.34 μs	17.34 μs	57.07 μs	57.08 μs
Maximum Switcher Delay	22.24 μs	29.66 μs	35.58 μs	62.55 μs	63.00 μs





# Field Replaceable Units

This appendix provides lists of the Field Replaceable Units (FRU) and Critical Spares for the Kalypso Video Production Center.

**Note** The lists given here are for general guidelines only and are subject to change at any time. They do not reflect current pricing or availability information.

The modules and assemblies in the Kalypso Video Processor frame and Control Panel surfaces that can be replaced in the field and ordered from Grass Valley Customer Service are listed in [Table 34](#).

Table 34. FRU List and Replacement Notes and References

Name	Part Number	Replacement Notes and References
<b>HD Video Processor Frame</b>		
Frame Chassis Fan Slide Assembly	610-0992-00	
Sync Generator mezzanine	671-6479-XX	
Backplane/Motherboard	671-6480-XX	
Control Proc Sync Gen	671-6481-XX	
Still Store module	671-6482-XX	If RAM Expansion is installed, use 660-0066-00.
Input Crosspoint module	671-6483-XX	
Mix/Effects module	671-6484-XX	
Transform Engine module	671-6485-XX	
<b>HD Video Processor Power Supply Frame</b>		
Newer 1RU Power Supply Frame	630-4354-00	
Newer 1RU Frame Power Supply module	620-0095-00	Uses phillips head locking screw to seat power supply in slot. Modules are not interchangeable with earlier power supply frames.
Original 2RU Frame Power Supply module	119-6239-XX	Do not force or slam power module into slot.

Table 34. FRU List and Replacement Notes and References - (continued)

Name	Part Number	Replacement Notes and References
<b>Main Panel</b>		
Source Name Display	119-6258-XX	Refer to <i>Source Name Display Installation on page 85</i> for replacement instructions (If Source Name Display board is a version 01, 12.0.2.2 or later software is required).
M/E Status Display	119-6257-XX	
Crosspoint Switch Matrix	671-4932-XX	
M/E Transition Control, Right	671-4933-XX	
M/E Transition Control, Left	671-4934-XX	
Matte Setup	671-4936-XX	
Keyer Setup	671-4937-XX	
Effect/Edit Transform	671-4938-XX	
Effects Memory/Run	671-4939-XX	
Machine Control Switch	671-4940-XX	
Real Time Processor Interface	660-0001-02	Includes Main Panel RT processor board and Disk-On-Chip for late model Main panel. Main panel IP addresses must be reset after installation if default addresses are not used.
Power Distribution	671-4949-01	Refer to FMN 075069000 for upgrade instructions from 671-4949-00.
User Definable Switch Subpanel	671-4995-XX	
Main Panel Power Supply	610-0871-00	Main power supply. Refer to <i>Main Panel Power Supply Replacement on page 234</i> for replacement instructions.
	610-0883-00	Redundant power supply. Refer to <i>Main Panel Power Supply Replacement on page 234</i> for replacement instructions.
<b>2-M/E Main Panel Only</b>		
Local Aux Crosspoint	671-4943-XX	For built-in Local Aux panel.
Local Aux Crosspoint	671-4944-XX	
<b>Menu Panel</b>		
Enhanced Menu Panel (new version)	660-0032-05	This version of the Enhanced Menu Panel is compatible with Windows XP. IP addresses will need to be reset after installation if default addresses are not used.
Enhanced Menu Panel (older version)	660-0032-04	This version of the Enhanced Menu Panel is compatible with Windows 2000. IP addresses will need to be reset after installation if default addresses are not used.
Enhanced Menu Panel Recovery CD (older version)	063808700	Used to restore Menu hard drive. For Windows 2000 systems on Original Menu Panel.
Menu Panel Power Cable	174-4447-10	Same as Local Aux panel cable (8 pin DIN).
<b>Local Aux Panel</b>		
Local Aux Panel Assembly	614-0983-00	Early version. Either version can be used.
	610-0935-XX	Set correct IP addresses for replacement Local Aux panel (see <i>Changing Local Aux Panel IP Address on page 144</i> ). From Menu Panel, install current Kalypso software to replacement Local Aux Panel only (see the current Release Notes for installation procedures).
Local Aux Processor I/F Assembly	660-0003-00	Used in 2-M/E Main Panel. IP address information above also applies.
Local Aux Panel Power Cable	174-4447-10	Same as Menu panel cable (8 pin DIN).
<b>Optional Panels</b>		
24-Crosspoint Remote Aux Panel (1RU)	660-0024-01	KAL24AUX1
24-Crosspoint Remote Aux Panel (2RU)	660-0025-01	KAL24AUX2
24-Crosspoint Remote Aux Panel (3RU)	660-0023-01	KAL24AUX3
32-Crosspoint Remote Aux Panel (1RU)	660-0018-01	KAL32AUX1 (IP address default 192.168.1.2)
32-Crosspoint Remote Aux Panel (2RU)	660-0019-01	KAL32AUX2 (IP address default 192.168.1.2)

Table 34. FRU List and Replacement Notes and References - (continued)

Name	Part Number	Replacement Notes and References
<b>Drives</b>		
Zip Drive (USB)	119-8029-XX	For use with Enhanced Menu panel.
CD Drive (USB, external)	119-8073-00	For use with Enhanced Menu panel (optional).
<b>Software</b>		
Software CD	0633303XX	
<b>Manuals</b>		
Documentation CD	0718057XX	
Release Notes	0710721XX	
Release Notes Addendum	0710722XX	
User Manual	0710618XX	
Reference Manual	0718176XX	
HD Installation & Service Manual	0718218XX	
Installation Planning Guide	0710619XX	
Machine Control I/F Install Instructions	0718056XX	
Protocols Manual	0718063XX	



# *External Interfaces*

## Introduction

This Appendix provides specialized information for interfacing specific external devices to the Kalypso system.

### General External Device Interfacing

In general, interfacing an external device to the Kalypso system involves the following elements:

- Control cabling and configuration,
- Video cabling,
- Device parameters that have variable settings (particularly those used for communications) must be set identically on both the Kalypso system and the external device being interfaced,
- Device Definition,
- Assigning a Device Definition (for DDR, VTR, and digital effects systems) to a source, and
- Mapping that source to a panel button.

**Note** To make any Eng Setup changes you must login as the EIC. See *EIC Login on page 151* for specific instructions.

## Device Definition

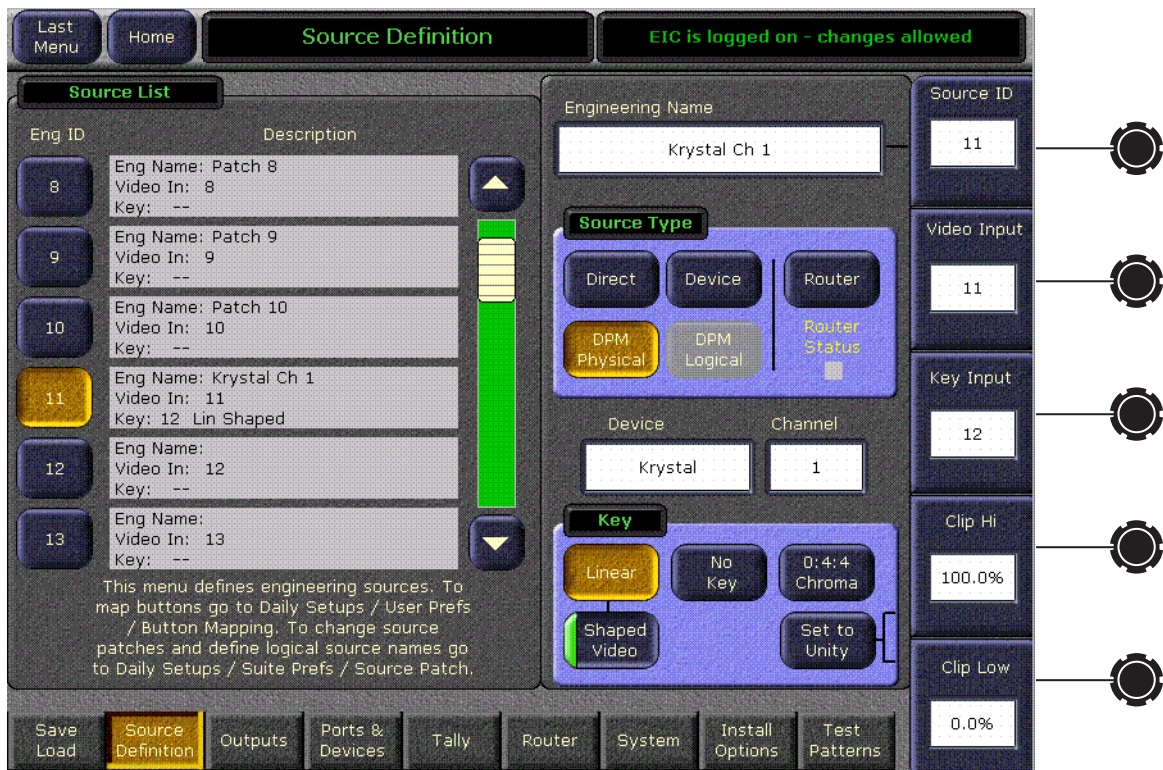
The Kalypso system uses a software Device Definition object to define the capabilities of each device interfaced with the system. The following Device Definition types are available:

- **Direct** (standard video and key inputs, not for external interfaces),
- **Device** (DDR, VTR, GPI, Peripheral Bus II).
- **Router** (external routing system), and
- **DPM Physical** (hard wired external digital effects system).

External Device Definitions contain the information required for that external device, (e.g., IP Address). Each Device Definition is given a unique name. Once a Device Definition has been created for an external digital effects system, DDR, or VTR, it can be assigned to a Kalypso source. That source then supports the specific capabilities of that external device. GPI and Peripheral Bus II Device Definitions are not associated with a particular source.

The Eng Setup - Source Definition menu shows the available Device Definition types in the Source Type pane. [Figure 179](#) shows **DPM Physical** selected. Device definition objects are assigned to sources with this menu during the source definition process.

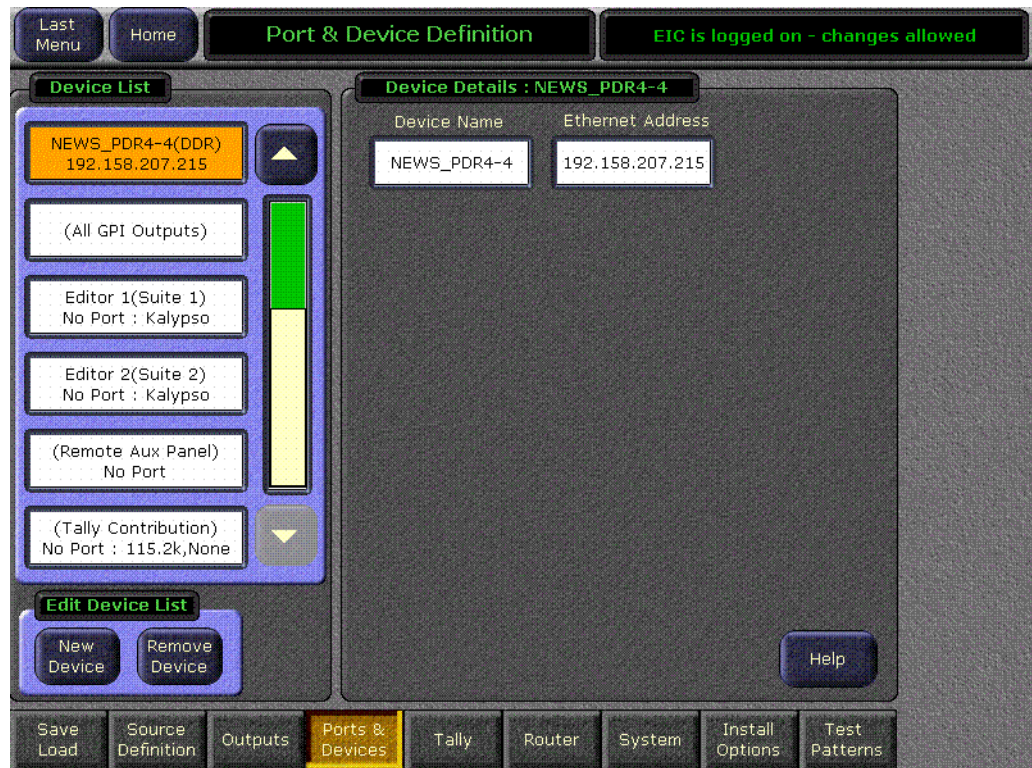
Figure 179. Eng Setup - Devices Menu, Device Definition Types



## Port & Device Definition Menus

Device definition objects are created as using the Port & Devices Definition menu, which is accessed by touching **Eng Setup, Ports & Devices** (Figure 180).

Figure 180. Port & Device Definition Menu



The currently configured device definition objects are displayed in a scrolling list on the left. Touching a device on this list delegates the rest of the menu to that object.

### Standard Device Definition Objects

The following device definition objects are available on all Kalypso systems.

- (All GPI Outputs)
- Editor 1
- Editor 2, only active for multi-suite operation
- (Remote Aux Panel), used with ports 7 and 8 only
- (Tally Contribution)

Most device definition objects can be named by touching the Device Name data pad, which can bring up a popup keypad. The items listed in parentheses above have fixed names that cannot be changed.

Standard device definition objects cannot be removed (the **Remove Device** button is grayed out when a standard device is selected).

## GPI Out Device Configuration Menu

Selecting (All GPI Outputs) displays the following menu (Figure 181).

Figure 181. Ports & Device – (All GPI Outputs) Selected



The buttons in the scrolling list represent the 16 physical GPI output relays available on the Kalypso system (1-16). The functions performed by these relays depend on how they have been connected to the device being controlled.

You can name a function by touching a button, touching the **GPI Name** data pad, and entering the name in the popup keypad. These names appear on the separate PBus & GPI Menu, to help the operator identify each function.

The duration of the contact closure can be changed with the soft knob on the right.

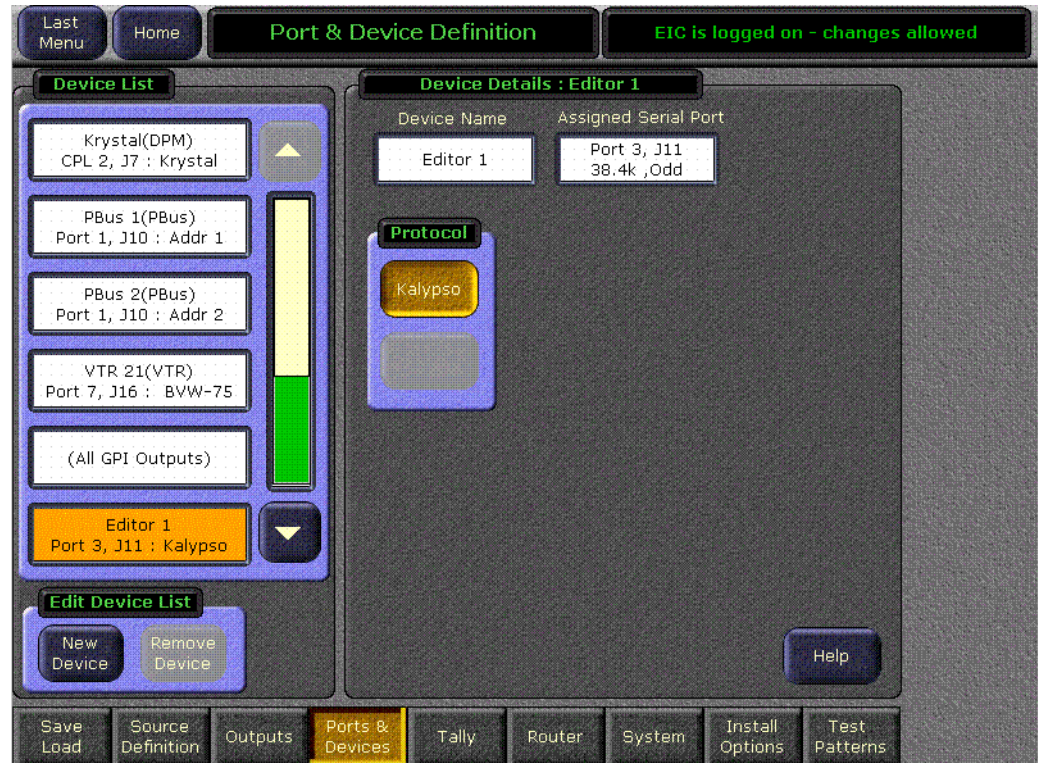
Kalypso version 10.1 adds a one field delay for GPI Out triggers to improve the deterministic behavior of E-MEM effects containing these triggers.



## Editor Device Configuration Menu

Selecting an Editor device displays the following menu, which permits naming the device and assigning a Serial Port (Figure 182).

Figure 182. Port & Device – Editor Selected



## Other Standard Device Configuration Menus

The device configuration menus for Remote Aux Panels and Tally Contribution (not implemented) are similar to the Editor menu, permitting entry of a device name and selection of a serial port.

## Port Configuration Menu

Device definition objects using serial communications can be assigned to one of the available Kalypso system serial ports. Touch the Assigned Serial Port data pad to bring up the Port Configuration menu (Figure 183).

Figure 183. Ports & Devices – Port Configuration Menu



Ports 1-8 can be assigned to all devices except DPMs. CPL 1 and CPL 2 are HDLC ports and can only be used for DPM devices.

On ports 1-8 the Baud Rate and Parity buttons permit communications protocol configuration for devices whose protocol settings are adjustable. Touching the **Set Defaults** buttons returns the Baud and Parity settings to the Kalypso system factory defaults. The HDLC and the Remote Aux Panel port configuration settings are fixed.

In earlier software versions the serial port assignments were fixed. For reference, Table 35 lists these assignments. These are the default assignments for Release 7.5 and later software versions.

Table 35. Kalypso 7.2 and Earlier Software Fixed Serial Port Assignments

Function	J#	Port
DPM Device #2	7	422-CPL
DPM Device #1	8	422-CPL
Unassigned	9	2

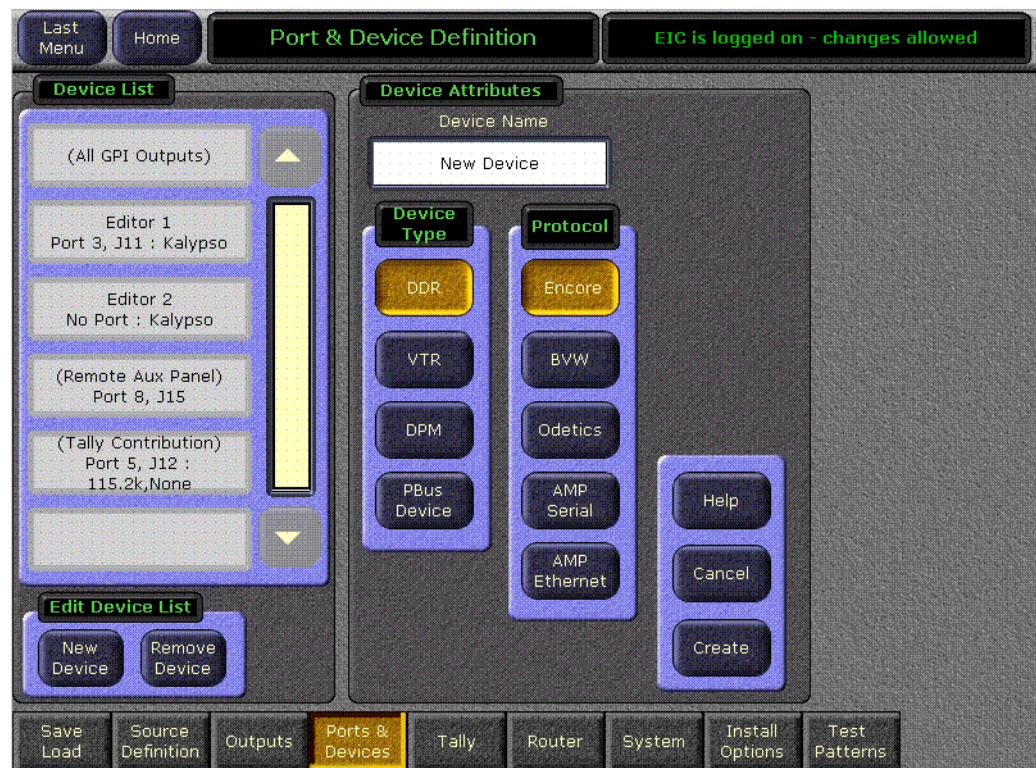
Table 35. Kalypso 7.2 and Earlier Software Fixed Serial Port Assignments

Function	J#	Port
Peripheral Bus II	10	1
Editor Interface	11	3
Tally Contribution	12	5
Unassigned	13	4
Unassigned	14	6
Remote Aux Panel	15	8
Unassigned	16	7

## New Device Definition Objects

New device definition objects can be created to support external devices available in your facility. Touching the **New Device** button brings up a Device Attributes menu (Figure 184).

Figure 184. Port &amp; Device – Device Attributes Menu



The following types of device definition objects can be created:

- DDR
- VTR
- DPM
- PBus Device

### Creating a New Device Definition Object

1. Logon as the EIC.
2. Go to the Port & Device Definition menu by touching **Eng Setup, Ports & Devices**.
3. Touch the **New Device** button.
4. Touch one of the Device Type buttons, enter a Device Name, choose from whatever additional settings may be available for that device, and then touch **Create**.

Once created, different configuration settings are available for the different object types. These controls appear when the created object is selected on the scrolling list.

### Removing and Editing a Device Definition Object

To remove an existing Device Type or Protocol, select the item in the scrolling list and touch **Remove Device**.

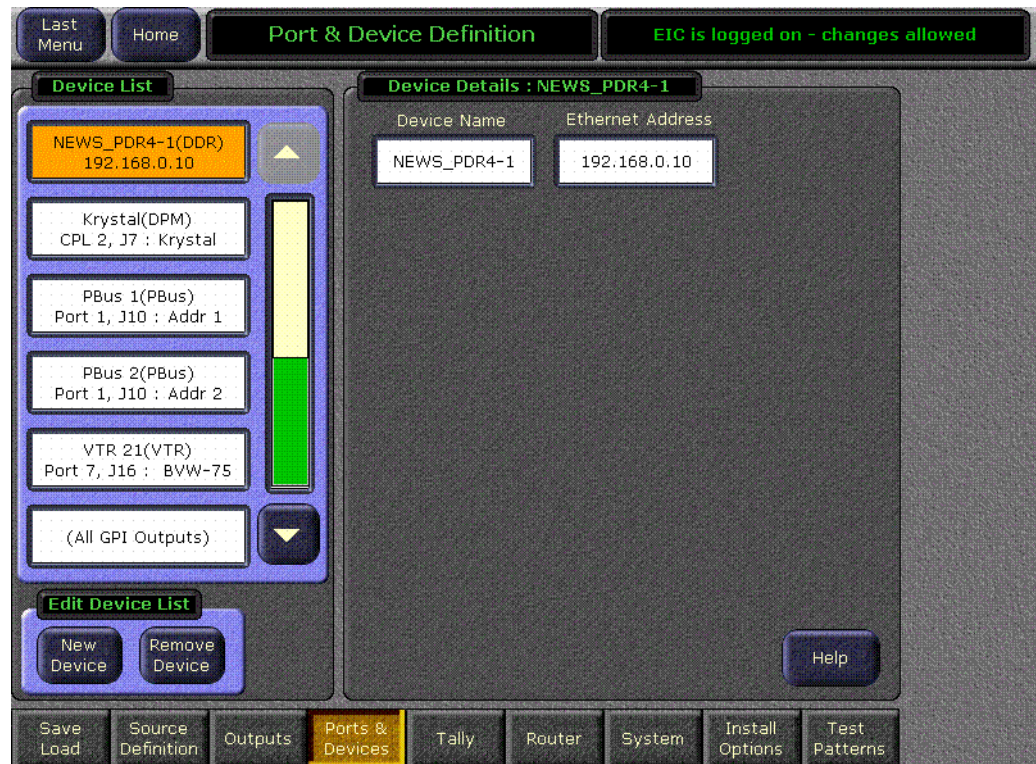
To edit an existing Device Type or Protocol you must remove the device and then create a new one.

### DDR Device Definition Menu

Selecting a DDR device displays a menu similar to the following (Figure 185), from which you can name the device and enter its Ethernet

address. The name and address entered must exactly match those specified in the Encore system configuration of this external device.

Figure 185. Port & Device – DDR Selected

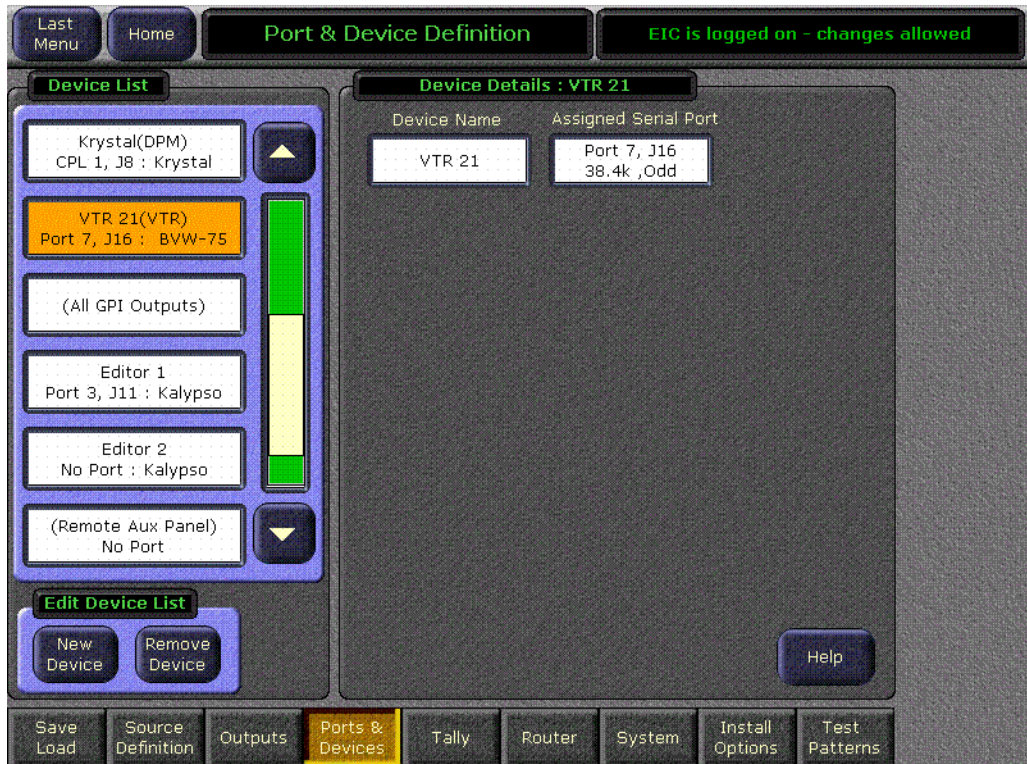


## VTR Device Definition Menu

The VTR Device Definition menu is similar to the DDR menu, except a serial port can be selected instead of an Ethernet address, and any name can be used for the serially controlled VTR (Figure 186). It is possible to con-

figure a DDR using a VTR Device definition, but only the currently loaded clip will be able to be controlled from the Kalypso system.

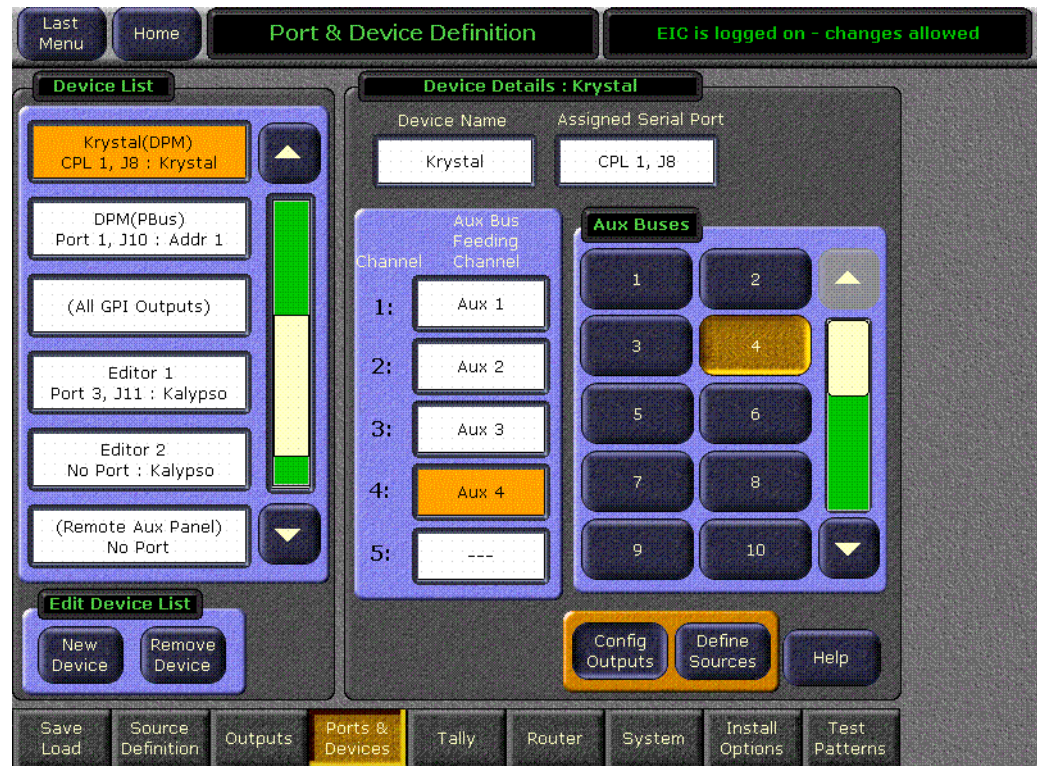
Figure 186. Port & Device – VTR Selected



## DPM Device Definition Menu

Selecting DPM displays a menu similar to [Figure 187](#).

Figure 187. Ports & Devices – DPM Selected



Like the other Device Definition menus, the DPM device can be named and its serial port can be assigned with the data pads at the top.

Kalypso system Aux buses are assigned for use with the external DPM device's channels by touching the data pad of the channel on the left, then touching the Aux Bus number in the scrolling list on the right.

**Note** Once an Aux bus has been assigned, it can be reassigned but cannot be removed. If an extra Aux bus is assigned by mistake, you will need to touch **Remove Device** and completely redefine the device object.

The **Config Outputs** and **Define Sources** buttons provide access to other menus used to configure external DPM operation.

## PBus Device Definition Menu

Selecting PBus Device brings up a menu similar to [Figure 188](#).

Figure 188. Port & Device – PBus Selected



The buttons in the scrolling list correspond to the 16 PBus triggers available (0-15). What each trigger does is defined by the external device. Names can be entered by touching the data pad for a trigger, which brings up a popup keypad.

The PBus device can be named, and the serial port assigned, using the data pads at the top of the menu. The PBus address used to communicate with the device is selected with the soft knob on the right.

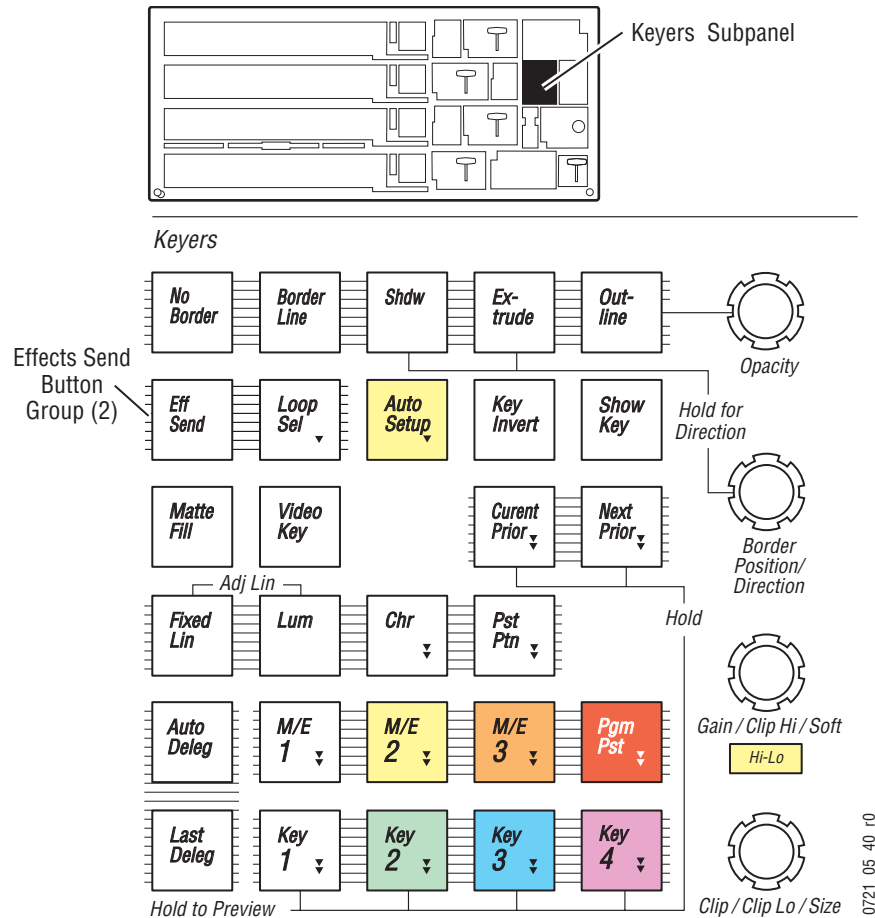
Kalypso version 10.1 adds a one field delay for PBus triggers to improve the deterministic behavior of E-MEM effects containing these triggers.



## Effects Send Main Panel Controls

Effects Send controls reside on the Kalypso Main panel Keyers subpanel (Figure 189).

Figure 189. Keyers Subpanel



- The **Eff Send** button toggles internal Effects Send on or off for the delegated keyer.
- The **Loop Sel** button is an SPOP that delegates the Menu panel to the Effects Send menu (Figure 190, where additional controls are available). The Effects Send menu can also be accessed by touching **M/E**, **Effects Send**.

Figure 190. Effects Send Menu



## Effects Send Delegation

The matrix of 16 buttons on the upper left delegates an individual keyer for Effects Send menu control. The delegated keyer will be yellow. With a keyer delegated, touching one of the Internal Transform Engines buttons (TE 1 - TE 6) at the lower part of the screen activates Effects Send for that keyer using that Transform Engine channel. Since all Transform Engines operate identically, it does not matter which one is used each time. In Figure 190 two Transform Engines are installed.

Touching the **Efx Send Active** button will toggle Effects Send on or off for the delegated keyer. When toggled off, the Transform Engine path channel becomes available for assignment to another keyer.

Touching the **Lock** button locks the assignment of that Transform Engine to that keyer, and it will not be released when Effects Send is toggled off. Locked keyer touch buttons display a red indicator.

Two status indicators can appear above each delegation button. When Effects Send is on, **Send** appears. **On Air** appears when that keyer is being output by PGM PST. The PGM PST A bus is always considered on air.

# Krystal DPM

A Krystal DPM offers the highest performance when configured to a Kalypso system via Combined Program Language (CPL). Peripheral Bus II and GPI interfaces are also available. This section covers CPL control.

Refer to the Grass Valley *Krystal DPM* documentation set for additional information.

## CPL Interface

The following CPL interface functions are supported:

- Krystal effect recall via E-MEM,
- CPL effect run control, and
- Krystal control of Kalypso Aux buses for source selection (keyframable).

## Krystal Combiner Requirements

If the Kalypso system feeds a background video input to an optional Krystal Combiner, a serial digital delay device is needed to time the background video to the video passing through the Krystal DPM.

## Control Interface Cabling

An RS422 cable connects the **422/CPL J7** port on the Kalypso Video Processor frame Control I/O module (or other assigned port) to the Krystal Effect Manager I/O module **Switcher J4** port. On multiple-user systems with multiple switchers, each switcher is generally dedicated to a separate Krystal Effect Manager. Otherwise, arrangements must be made for signal control routing external to the Krystal and switcher control systems.

## Video Cabling

### Krystal DPM Inputs

Each Krystal Video Processor frame has two pairs of serial digital video inputs (Video A, Key A, Video B, Key/Mask B). How you connect these inputs to the Kalypso system depends on whether you use the External Source Selection, Internal Switching, or A/B Input Routing features available on the Krystal DPM. These configurations provide different operational capabilities. See the *Krystal 4300 Installation and Service Manual* for more information.

## Krystal DPM Outputs

Each Krystal Video Processor frame has three video outputs: Key/Depth, Preview, and Program. How you connect these outputs to the Kalypso system depends on the Krystal options available (Combiners, Graphics, etc.) and your specific facility configuration. See the *Krystal 4300 Installation and Service Manual* for more information.

## Kalypso Required Settings

The Kalypso system Inputs, Outputs, and External Interfaces must be properly configured for successful integrated DPM operation. Some of the specific settings involved are listed in [Table C-1](#).

Table 36. Kalypso Configuration Settings for Krystal

Menu	Pane/Category	Setting
Eng Setups - Sources (for each Krystal source)	Name	Enter descriptive name of source
	NickName	Enter short name for source
	Type	<b>DPM Physical</b>
	DPM Physical	Device: (Select defined Krystal device, see below) Channel: (Select Krystal Output)
Eng Setups - Device/Ports (define the device, then use for each source above)	Show	<b>DPM</b>
	Edit Device	Device Name: (Enter descriptive name of Kalypso system)
		Device Type: <b>DPM Krystal</b>
		To DPM: (Identify Aux Buses used by each Krystal channel) Channels: (Specify number of Krystal Channels) See <a href="#">Figure C-4 on page C-7</a> .
Eng Setups - Outputs (for each Kalypso output going to Krystal)	Mode	<b>Aux Pair</b>
	Aux Bus Pairs	(Select Aux Bus for each output)
Aux Bus (for each Aux Bus used by Krystal)	B Bus	<b>Key</b>

[Figure 179 on page 294](#) shows a Kalypso source with **DPM Physical** selected, and typical names for that source and its Krystal Device Definition. Touch the **Channel** data pad to access a menu for selecting the Krystal system output for that Kalypso source ([Figure 191](#)).

Figure 191. Channel Assignment Selection Pane



Other Kalypso settings may also need to be set that are unique for your facility.

## E-MEM Level Groups

Krystal CPL control is associated with the **DPM E-MEM** level group on the Kalypso Main panel by default. This can be changed in the Suite Prefs - E-MEM Prefs menu. See the *Kalypso User Manual* for details.

## Source Number Mapping

The mapping of Kalypso sources to DPM sources are shown in [Table 37](#).

Table 37. Kalypso Source ID to DPM Source Mapping

DPM Source Number	Kalypso Source Name	Kalypso Source ID Number
0	Black	118
1 through 57	1 through 57	1 through 57
58	StillStore 1	121
59	StillStore 2	122
60	M/E 1 pgA	93
61	M/E 2 pgA	99
62	M/E 3 pgA	105
63	PgPst pgA	111

## Krystal Required Settings

Table 38. *Krystal Configuration Settings for Kalypso*

Menu	Setting
External Control Prefs	Switcher Port: Enable
Src Select Device	External Switcher Device Installed
Src Select Config	[V, K] or [V, K, M] inputs assigned, depending on cabling
Port Config	Switcher CPL protocol

### Other Settings

- Coordinate video shaping on the Switcher, Krystal Channel, and Combiner as required, and
- Set timing of channel and combiner inputs and outputs as required.

## Interface Operation Test

After completing the cabling and configuration, you should be able to:

- Learn a Kalypso system E-MEM specifying a Krystal effect,
- Recall that E-MEM register with the Krystal effect,
- Run the E-MEM and see the Krystal effect track, and
- Jog the Krystal effect forward and backward with **Next KF** and **Prev KF**.

# GVeous Digital Effects System

A GVeous system offers the highest performance when configured to a Kalypso system via CPL. This section covers CPL control. Peripheral Bus II and GPI interfaces are also available. See *Peripheral Bus II on page 321* for information.

Also refer to the GVeous documentation set for additional information.

## Interface

The following interface functions are supported:

- GVeous effect recall via E-MEM,
- CPL effect run control, and
- GVeous control of Kalypso Aux buses for source selection (keyframable).

**Note** The GVeous system supports Kalypso sources 1 through 69. Because Kalypso StillStore output sources are numbered 121 through 128, GVeous cannot directly change StillStore sources. Use the Kalypso E-MEM system to change StillStore sources during a GVeous effect.

## GVeous Requirements

The GVeous system must be equipped with the CPL Protocol Converter module.

## Control Interface Cabling

Connect serial port **422/CPL J8** (default) on the Kalypso Video Processor frame Control I/O module (located in slot B1) to the **HDLC** port on the GVeous frame using a standard 9-pin RS-422 machine control cable. Also connect the GVeous CPL module to the GVeous **Aux** or **Editor** port, using a custom serial cable provided with GVeous. This cable is similar to an RS-422 cable except that pins two and seven are cross-wired and one connector is 25-pin. HDLC may need to be reset.

## Video Cabling

On GVeous, when Aux Bus control is selected each GVeous channel corresponds to one external input. Each channel is dedicated to an odd-num-

bered GVeous input, so Kalypso Aux bus pairs 1, 2, 3, 4 should therefore be connected to GVeous inputs 1, 3, 5, and 7 (Table 39).

Table 39. Kalypso Aux Buses and GVeous Channels

Kalypso Aux Bus Pairs	GVeous Input	GVeous Channel
Aux 1A	1 Video	1A
Aux 1B	2 Key if in V/K mode	1B
Aux 2A	3 Video	2A
Aux 2B	4 Key if in V/K mode	2B
Aux 3A	5 Video	3A
Aux 3B	6 Key if in V/K mode	3B
Aux 4A	7 Video	4A
Aux 4B	8 Key if in V/K mode	4B

## Source Number Mapping

Two device types for Kalypso source number mapping exist for GVeous, to match different versions of GVeous software. Earlier GVeous software supported only 64 sources using CPL. Kalypso Release 5.0 changed its mapping to accommodate that restriction. Updated GVeous software (version 6.2) supports 128 sources. Use the device type that matches your GVeous software version.

- **GVeous 128** supports the new mapping of all available sources (Table 192).

Figure 192. GVeous 128 Kalypso Source ID to DPM Source Mapping

DPM Source Number	Kalypso Source Name	Kalypso Source ID number
0	Still Store 8	128
1 through 127	(various)	1 through 127

- **GVeous 64** supports the previous mapping established in Kalypso Release 5.0 (Table 193).

Figure 193. GVeous 64 Kalypso Source ID to DPM Source Mapping

DPM Source Number	Kalypso Source Name	Kalypso Source ID Number
0	Black	118
1 through 57	1 through 57	1 through 57
58	Still Store 1	121
59	Still Store 2	122
60	M/E 1 pgA	93
61	M/E 2 pgA	99
62	M/E 3 pgA	105
63	PgPst pgA	111



Note that the **Krystal** DPM device type has not changed and continues to support up to 64 sources.

## Kalypso Required Settings

Table 40. Kalypso Configuration Settings for GVeous

Menu	Pane/Category	Setting
Eng Setups - Sources (for each Krystal source)	Name	Enter descriptive name of source
	NickName	Enter short name for source
	Type	<b>DPM Physical</b>
	DPM Physical	Device: (Select defined GVeous device, see below) Channel: (Select Output from GVeous)
Eng Setups - Device/Ports (define the device, then use for each source above)	Show	<b>DPM</b>
	Edit Device	Device Name: (Enter descriptive name of GVeous system)
		Device Type: <b>GVeous DVeous</b>
		To DPM: (Identify Aux Buses used by each GVeous channel) Channels: (Specify the GVeous Channels). See <a href="#">Figure 191 on page 309</a> .
End Setups - Outputs (for each GVeous output going to Krystal)	Mode	<b>Aux Pair</b>
	Aux Bus Pairs	(Select Aux Bus for each output)
Aux Bus (for each Aux Bus used by GVeous)	B Bus	<b>Key</b>

## E-MEM Level Groups

Krystal CPL control is associated with the **DPM** E-MEM level group on the Kalypso Main panel by default. This can be changed in the Suite Prefs - E-MEM Prefs menu. See the *Kalypso User Manual* for details.

## GVeous Required Settings

Table 41. GVeous Settings

Menu	Setting
Remote Enable	Aux or Editor port - ON
	LINC - OFF
	Protocol - CPL
	Baud-38.4kb
	Parity - even
	Aux Channels - 1, 3, 5, 7
Input Menu	Select AUX control
	Select crosspoints on KF by KF basis

## Profile VDR

Three mechanisms are available for Profile VDR control by Kalypso systems.

- Direct serial control (BVW-75, Odetics, or optional AMP Serial protocol),
- Network control using the AMP Ethernet protocol, and
- Encore control (network control using the KAL-IF-PROFILE Machine Control option).

### Direct Serial Control

Direct serial control of Profile VDRs using the BVW-75 and Odetics protocols is standard on Kalypso systems. The AMP Serial Machine Control feature is a software enabled option.

None of these protocols support negative timecode. Each controlled Profile VDR uses a Kalypso system serial port.

### BVW-75 Protocol

The BVW-75 protocol treats the device like a VTR, and so does not support clips. The BVW protocol specifies a 6 frame latency for start commands (to accommodate mechanical VTRs). This delay applies to the external device, not the Kalypso system. A Profile operating using the BVW protocol follows the specification and will delay the execution of commands by this amount, which is probably not desired.

### Odetics Protocol

The Odetics protocol supports only the default folder and DOS style eight character plus extension file names. When a Profile is set to use the Odetics protocol it will not impose a delay, and latency essentially disappears. This is the preferred setting for quick real time response with Profile VDRs. Note that DDRs from other manufacturers may or may not impose delays when operating with either protocol. Refer to the documentation provided with your DDR for specific instructions.

### AMP Serial Protocol

The AMP protocol supports multiple clip directories and clip file names of up to 80 characters. Only specific Profile models support this protocol. The AMP protocol can operate with either Serial or Ethernet interfaces. Serial device control is configured the same as other serial devices (see *Serial Device Control Configuration* on page 315).

See *AMP Ethernet Control* on page 315 for more information.

## Serial Device Control Configuration

Direct Profile VDR control is configured by creating a device definition object (Figure 186 on page 302), associating a serial port to that device definition, and then selecting that device definition for that source in the Source Definition menu.

Once configured, Profile VDR control is available via the Machine Control subpanel on the Main panel, and on the External Device menus.

## AMP Ethernet Control

AMP protocol machine control is available for some model DDRs. This protocol supports multiple clip directories and clip file names of up to 80 characters. The BVW protocol does not support clips, and the Odetics protocol supports only the default folder and DOS style eight character plus extension file names. AMP protocol is a software enabled option. AMP Serial support was introduced in Kalypso 11.0. AMP Ethernet protocol support is available in Kalypso 12.0. The AMP protocol can also operate using a Serial interface, as described above.

## Profile Model Support

Profile XP PVS 1000, 2000 and 3000 series devices, M series devices, Turbo devices, and K2 devices support control via the AMP protocol. Older PDR series Profile models do not support AMP protocol.

## Profile Amp Ethernet Configuration

Some configuration may be required on your Profile DDR to make Amp Ethernet control from the Kalypso system operate.

- For Profile XP PVS models, you will need to start AMP Ethernet Server manually, which is an executable called AMPEthernetServer.exe.
- For Turbo, M-Series, K2 models, the AMP Ethernet Server is a service and will start automatically on reboot. To verify, go to **Start > Settings > Control Panel** and select **Administrative Tools > Services** and confirm that a Grass Valley AMP TCP Service exists.
- For all models, the switcher IP address must be listed as an authorized client to establish communication. The client protocol must also be set to Remote AMP for remote access.

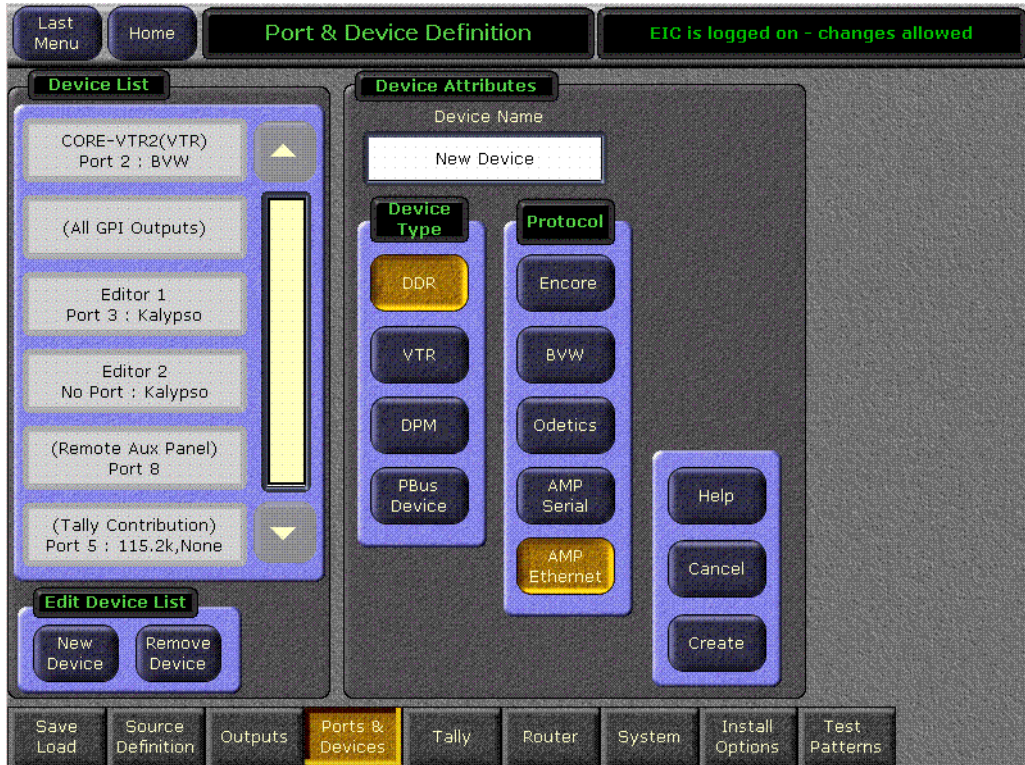
Refer to the separate *Profile System Guide* and/or *Profile User Manual* of the Profile model you will be controlling for more detailed device specific configuration instructions.

## Kalypso AMP Ethernet Configuration

On the Kalypso system you use the **AMP Ethernet** button on the Port & Devices menu to create this type of Kalypso external device (Figure 194).

**Note** For AMP Ethernet: If the Profile is reset after the Frame has booted up, the connection to the Frame is not automatically re-established. To establish the connection go to the **Extern Devices: Enable** menu, disable the device, and then re-enable it to establish communication.

Figure 194. Eng Setup Port & Device Menu, Amp Ethernet



Touching the **Create** button brings up a menu where you enter the name of the external device and its IP address.

## AMP Protocol (Ethernet or Serial) Control Capabilities

Once configured with the AMP protocol, touching a **Preset Clip** or **Program Clip** data pad on the External Device Control menu brings up a menu from which you can select the desired folder and then choose a clip in that folder to load for playback. A similar menu is used with the Clip Browser on the External Device Event List menu, and for loading clips in the Timeline Events menu.

The Kalypso Machine Control subpanel always shows the clip list of the last selected folder. If you change a clip locally on the Profile DDR, that clip name will not be updated on the Kalypso External Device menus. If the

folder list or clip list are incomplete, re-enabling the device will fetch the entire folder and clip list.

### **AMP Protocol Restrictions**

- A maximum of 20 directories can be created on the DDR.
- Each directory can contain a maximum of 200 clips.
- Directory names on the DDR cannot be longer than 10 characters.
- Do not create file names that have the pound character ( # ) along with either the dash ( - ) or underscore ( \_ ) character. This can inhibit clip access. For example, use “DeadEnd” not “Dead End”.

## **Encore Control of Profile VDRs**

Encore (OmniBus) software can be used to interface Profile VDRs to the Kalypso system. The interface option consists of:

- Sharer application, responsible for overseeing the entire OmniBus network (included on the Kalypso Software CD),
- System Manager application, used to configure users and their access to the network (included on the Kalypso Software CD),
- OmniBus User Interface (OUI) application (included on the Kalypso Software CD), and
- Video Disk Recorder Control System (VDRCS) application (installed on each Profile).

The Sharer and System Manager applications must be present somewhere in your facility, but only one instance of each should be installed on the same network. If you already have OmniBus running at your facility, you should not install these applications again onto your Kalypso system. If you are not already using OmniBus, you can install the software onto the Kalypso system using the Kalypso Install program.

The VDRCS software is available as an option (KAL-IF-PROFILE) from Grass Valley. This software is installed onto each Profile VDR, not the Kalypso system.

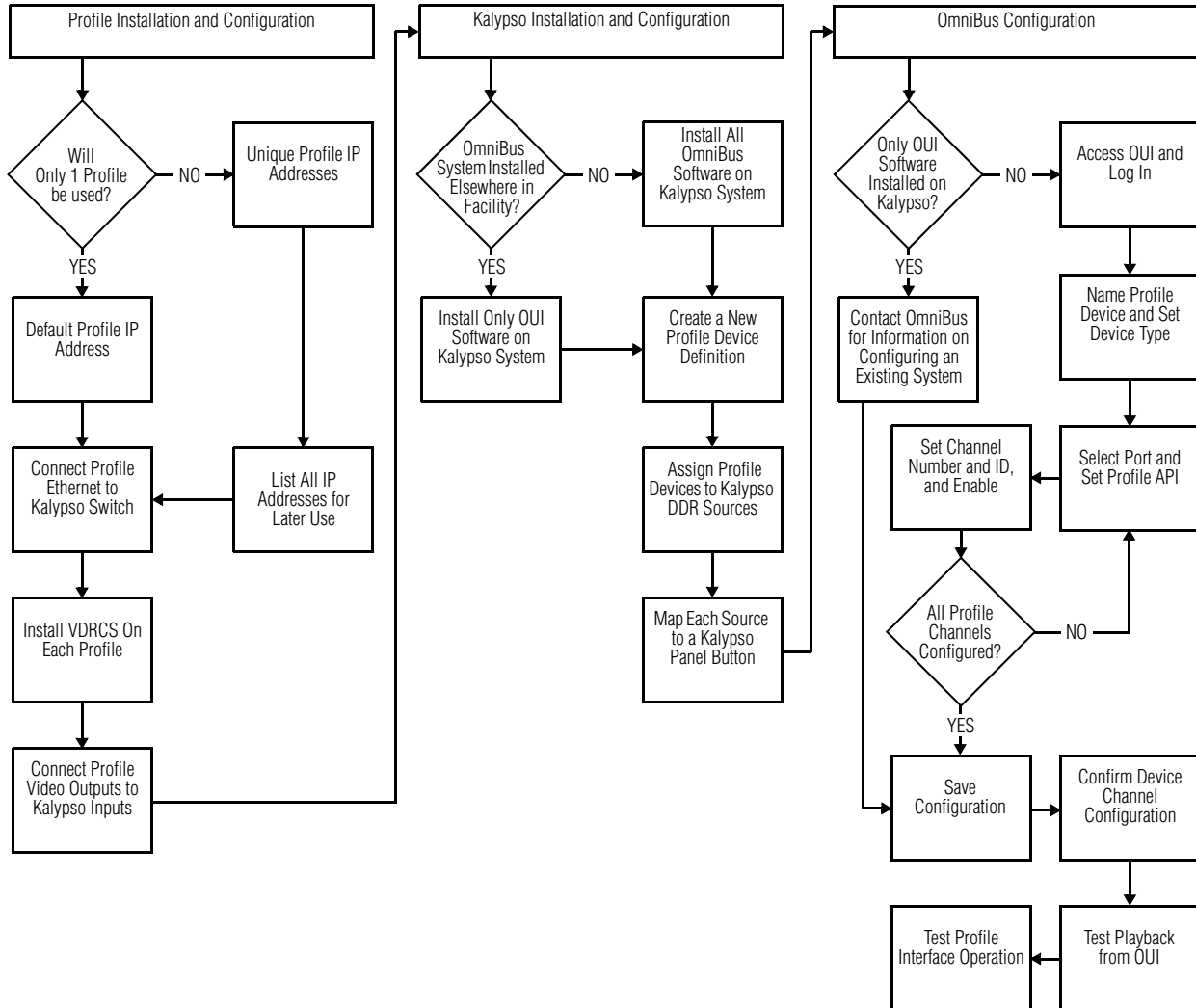
## **Interface**

The following interface functions are supported:

- Clip load from Profile,
- Clip name display on Kalypso Machine Control panel readout, and
- Clip Play, Stop, FF, RW, Cue.

Interfacing a Profile VDR with the Kalypso system involves configuring the Profile VDR, the OmniBus software used for system integration, and the Kalypso system (Figure 195). All three procedures must be completed in the order displayed in the flow diagram.

Figure 195. Profile Interface Flow Diagram



Installation and configuration procedures are subject to change. The latest procedures are covered in detail in the separate *Machine Control Interfaces Installation Instruction Manual*, included on the Kalypso.

# VTR Control

Two mechanisms are available for VTR control by Kalypso systems.

- Direct serial control (BVW-75 protocol), and
- Encore control (network control using the KAL-IF-SERIAL and KAL-IF-VTR Machine Control options).

## Direct Serial Control

Direct serial control of VTRs is standard on Kalypso systems. Each controlled VTR uses a Kalypso system serial port.

Direct VTR control is configured by creating a device definition object for the VTR specifying BVW-75 protocol ([Figure 186 on page 302](#)), associating a serial port to that device definition, and then selecting that device definition for that source in the Source Definition menu.

Once configured, VTR control is available via the Machine Control sub-panel on the Main panel, and on the External Device menus.

## Encore Control of VTRs

### Introduction

Encore (OmniBus) software and serial engine hardware is used to interface VTRs to the Kalypso system via Ethernet. The interface options consist of:

- Serial Engine frame (the hardware VTR Interface),
- Sharer application, responsible for overseeing the entire OmniBus network (included on the Kalypso Software CD),
- System Manager application, used to configure users and their access to the network (included on the Kalypso Software CD),
- OUI application (included on the Kalypso Software CD), and
- VSVC application (Serial Engine software).

The Sharer and System Manager applications must be present somewhere in your facility, but only one instance of each should be installed on the same network. If OmniBus is already running at your facility, do not install these applications again onto your Kalypso system. If OmniBus is not already running at your facility, install the software onto the Kalypso system using the Kalypso Install program.

The Serial Engine and VSVC software is available as an option (KAL-IF-VTR).

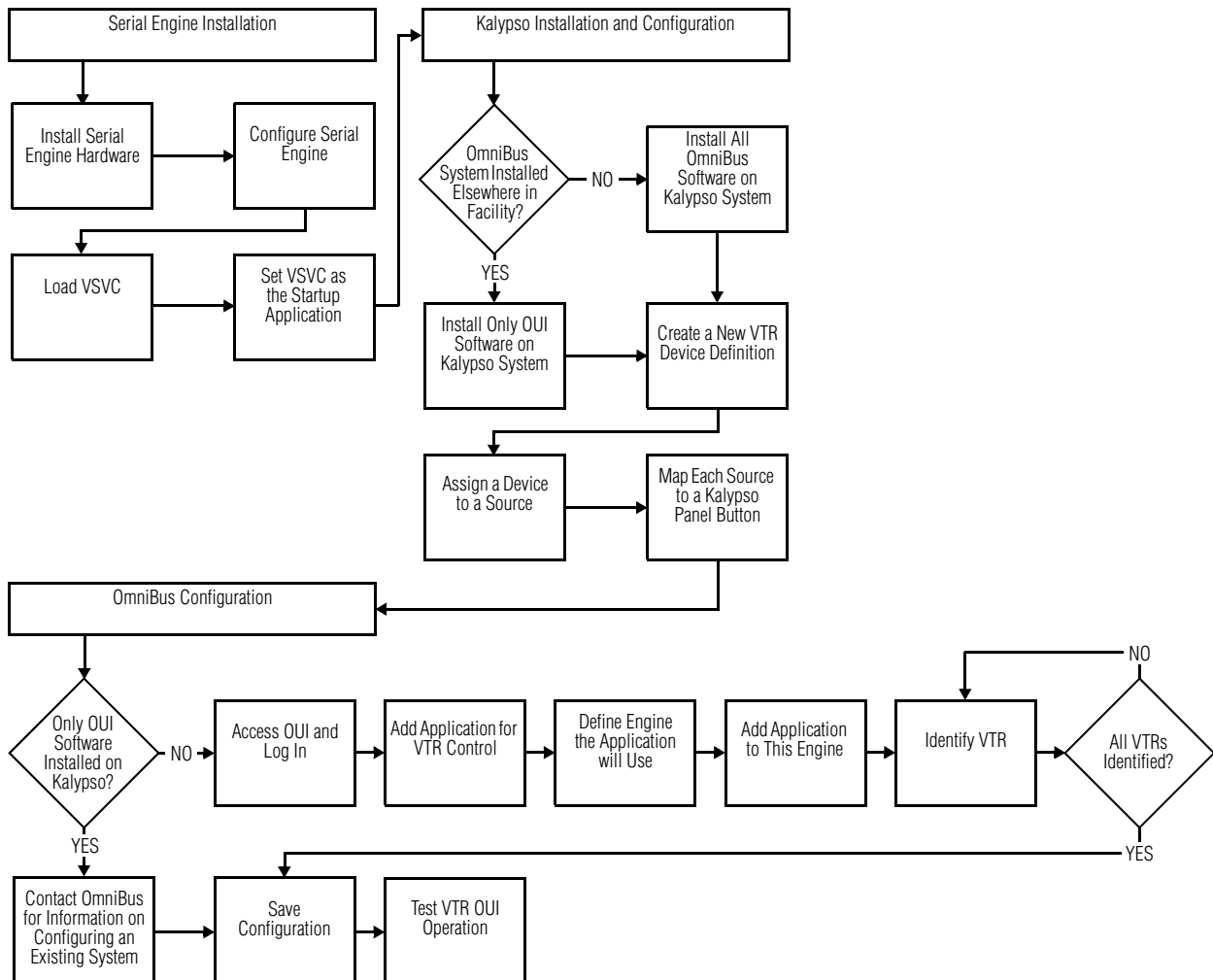
## Interface

The following interface functions are supported:

- Clip load from Profile,
- Clip name display on Kalypso Machine Control panel readout, and
- Clip Play, Stop, FF, RW, Cue.

Interfacing a VTR with the Kalypso system involves configuring the Serial Engine hardware, the Kalypso system, and the Encore software used for system integration (Figure 196).

Figure 196. VTR Interface Flow Diagram



Installation and configuration procedures are subject to change. The latest procedures are covered in detail in the separate *Machine Control Interfaces Installation Instruction Manual*, included on the Kalypso.



# Peripheral Bus II

## Introduction

The Peripheral Bus II interface protocol accommodates up to 24 peripheral devices on the same serial bus. The Kalypso system acts as the master controller on the bus. Each peripheral device needs a unique Peripheral Bus II address (0 through 23), which is generally set in software on the peripheral device itself. The Kalypso system uses these addresses to send commands to the correct peripheral device.

Peripheral Bus II commands generally are triggers sent from the Kalypso system that initiate an action on the peripheral device. Each peripheral device supporting the Peripheral Bus II protocol will have its own set of trigger commands. Refer to the documentation provided with the peripheral device for specific information about its capabilities.

Kalypso version 10.1 adds a one field delay for PBus triggers to improve the deterministic behavior of E-MEM effects containing these triggers.

## Kalypso System Peripheral Bus II Configuration and Operation

### Kalypso Control Interface Cabling

Connect the Kalypso Video Processor frame serial port assigned to PBus II to the serial port on the device to be controlled, using a standard 9-pin RS-422 cable.

### Kalypso Communication Settings

The Kalypso system uses the following serial bus settings for Peripheral Bus II control:

Table 42. Serial Port Settings

Baud Rate	38.4 kbps
Parity	Even
Stop Bits	1
Data Bits	8

### E-MEM Level Groups

In Release 7.6, Peripheral Bus II control is associated with the **Misc 6** E-MEM level group on the Kalypso Main panel by default. This can be changed in the Suite Prefs - E-MEM Prefs menu. See the Kalypso *User Manual* for details.

## Peripheral Bus II Triggers

Different devices support different Peripheral Bus II trigger functions. On the Kalypso system, you can enter a descriptive name of each logical device, and its triggers. In Eng Setups, press the **Ports & Devices** category selection button, touch the **PBus 2** button, then touch either the **New Device** or **Edit Device** buttons to access the menu (Figure 188 on page 304). The **PBus Address** number on this menu must match the external device being controlled.

These names will then appear on the PBus 2 GPI menu, accessed by pressing the **PBus GPI** button on the Menu panel (Figure 197). Touching the buttons on this menu activates that trigger, and this can be saved to E-MEM.

Figure 197. PBus 2 Menu



Peripheral Bus II devices and triggers can be enabled and disabled with the PBus2 Enable menu, accessed by touching the **Enables** category button at the bottom of the screen (Figure 198). The left side of the menu is used for

Peripheral Bus II control. GPI Out control resides on the right side of the menu.

Figure 198. PBus2 Enable Menu



## Krystal and GVeous Peripheral Bus II Control

### Configuration

Specific settings are required on Krystal and GVeous systems for Peripheral Bus II control ([Table 43](#))

Table 43. GVeous and Krystal Settings

Menu	Setting
(Krystal) External Control Preference (GVeous) Remote Enable	Editor port - ON.
	Protocol - Peripheral
	Baud-38.4kb
	Parity - even
	Address - (same as Kalypso Device)

## Peripheral Bus II Triggers

Table 44. *Krystal and GVeous Triggers*

Number	Trigger
1	Run Fwd
2	Run Rev
3	Pause
4	Freeze
5	Unfreeze

When Peripheral Bus II is enabled on the Krystal system, Learn and Recall commands are automatic. See the following section for GVeous system limitations.

### GVeous Limitations

The following limitations reside in the GVeous system. The commands issued by the Kalypso system are formatted correctly. These limitations do not apply for Krystal.

- Under Peripheral Bus II control, GVeous correctly recognizes Kalypso registers 0 through 39. Higher Kalypso registers are not processed correctly by GVeous, even though the Kalypso system sends the correct register number out Peripheral Bus II.
- Under Peripheral Bus II control, GVeous correctly handles Peripheral Bus II Learns only when the GVeous current register is 0 through 62.

## Kaleidoscope Peripheral Bus II Control

The Kalypso system can control a Kaleidoscope DPM system using Peripheral Bus II control. This has been available since Release 2.0, but was not specifically documented.

### Capabilities

The Kalypso interface with Kaleidoscope supports Learn and Recall operations. When a register is learned on Kalypso, the current Kaleidoscope effect number can be learned. Recalling that Kalypso register will then Recall and Run the Kaleidoscope effect.

## Kaleidoscope Peripheral Bus II Control

### Requirements

The Kaleidoscope system must be equipped with the Serial I/O option.

## Control Cabling

Connect serial port J10 (port 1) on the Kalypso Video Processor frame Control I/O module (located in Slot B1) to the Kaleidoscope System Controller Editor Port using a standard 9-pin RS-422 cable.

## Kaleidoscope Configuration

Specific settings are required on the Kaleidoscope system for Peripheral Bus II control ([Table 45](#))

Table 45. Kaleidoscope Settings

Menu	Setting
Resource\User Pref\Extern Cntrl\	Enable Serial
System Config\More\Serial Setup	Protocol - Periph II
	Baud - 38.4kb
	Parity - Even
	Periph Addr (same as Kalypso Device)

## Limitations

No triggers are supported, and Recall always runs the Kaleidoscope effect.

# Lance Design TDC-100 Controller Peripheral Bus II Control

## Capabilities

The Kalypso interface with the Lance Design TDC-100 controller supports Learn, Recall, and various Trigger operations.

The first 100 registers of the Lance Design controller correspond to the 100 registers on the Kalypso system. These registers on both systems are numbered 0-99. Learning a register on the Kalypso system stores the corresponding register on the TDC-100 controller with the current cue point and device enable information. Recalling that register on the Kalypso system will recall the TCD-100 register and cue the enabled devices. Trigger commands from the Kalypso system can then be issued to control the devices.

## Control Cabling

Connect serial port J10 (port 1) on the Kalypso Video Processor frame Control I/O module (located in Slot B1) to the P-BUS IN port on the TDC-100 frame using a standard 9-pin RS-422 cable.

## TDC-100 Configuration

Table 46. Menu Settings

Menu Number	Menu Name	Setting
01	DEVICE NUM FOR A = (or B, C, D)	Same as Kalypso Device
21	SWITCHER TYPE	GVG
22	P-BUS PARITY	EVEN

## Peripheral Bus II Triggers

Table 47. TDC-100 Triggers

Number	Trigger
0	Normal Play
1	Recue
2	Variable Play (using displayed speed which can be learned and recalled)
3	Reverse Play at 100%
4	Stop
5	Loop Play
6	Record
7 and above	Normal Play

# GPI Outputs

## Introduction

GPI Output contact closures are used by the Kalypso system for simple trigger control of external devices. See *GPI Outputs* on page 70 for pinout and voltage specifications.

**Note** Separate GPI Inputs can be used by an external device to trigger an action on the Kalypso system. See the following section.

## Configuration

On the Kalypso system, GPI outputs are configured as a device using the Eng Setup Device menu. In Eng Setups, press the **Ports & Devices** category selection button, touch the **GPI** button, then touch the **New Device** button to access the menu ([Figure 181 on page 296](#)).

Kalypso version 10.1 adds a one field delay for GPI Out triggers to improve the deterministic behavior of E-MEM effects containing these triggers.

## E-MEM Level Groups

In Release 7.6, GPI Output control is associated with **MISC 5** E-MEM level group on the Kalypso Main panel by default. This can be changed in the Suite Prefs - E-MEM Prefs menu. See the Kalypso *User Manual* for details.

# GPI Inputs

## Introduction

GPI Inputs can be used by an external device to trigger an action on the Kalypso system. See *GPI Inputs on page 69* for pinout specifications.

## Suite Prefs - GPI In Menu

The GPI In menu (Figure 199) allows programming of the 16 Kalypso system GPI inputs. Various actions can be performed when a GPI contact closes, including selecting a source on a bus, recalling an E-MEM, and triggering a transition. The GPI In menu is reached via **Daily Setups, Suite Prefs,** and touching the **GPI In Settings** button.

Figure 199. GPI In Menu



To program a GPI, select the GPI input to program from the scrolling list in the central pane. Then select the action and appropriate qualifiers on the remainder of the menu. In the example above, GPI 1 has been programmed to transition Key 1 on the PGM PST A bus. See the *Kalypso User Manual* for more information.



# Editor Interface

## Introduction

Basic editor control of the Kalypso system is supported. Capabilities include:

- Source select for A, B, U1, U2, Key 1 - 4, and Aux buses,
- Split Key selection,
- Wipe selection,
- Preview,
- Timeline control (Jog/Go to Time, Run, Rewind),
- Transition Mode, Rate, and Triggers,
- All Stop,
- E-MEM Recall and Run trigger,
- E-MEM learn, and
- E-MEM data transfer.

## Installation and Configuration

To install and configure the editor interface:

1. Connect the editor with a standard RS-422 9-pin serial cable to the Kalypso Video Processor frame serial port assigned to the editor.
2. Set the editor to use GVG 4000 Protocol.
3. Set the editor to use the following serial communications settings:

Table 48. Kalypso Editor Control

Serial Settings	
Baud Rate	38.4 kbps
Parity	Odd
Stop Bits	1
Data Bits	8

**Note** You must use the 38.4 baud rate (which is the default setting on the Kalypso system) for proper operation with an editor. Changing the baud rate to different values can cause Kalypso frame communications failures with the editor.

The Kalypso system does not respond with the same timing as a Grass Valley Model 4000 switcher. Edit controller adjustments need to be made to make Kalypso changes line up with other commands issued by the edit controller. See your edit controller manual for adjustment procedures.

## Editor Protocol Changes

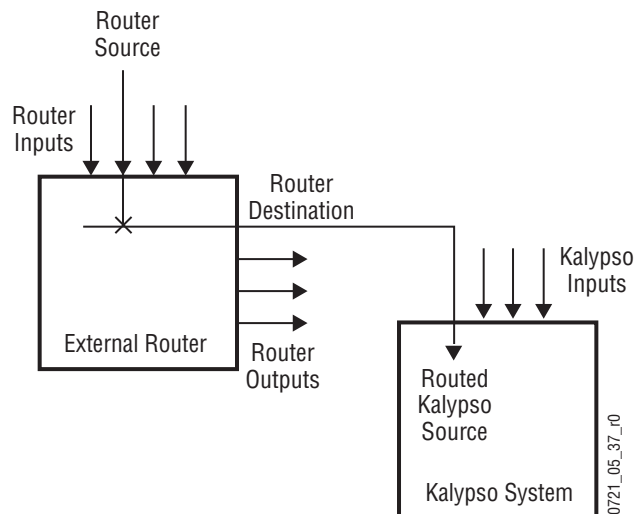
In Kalypso software earlier than version 7.6 editor commands sent to either M/E 0 or M/E 4 would control Pgm Pst. In later software commands sent to M/E 0 control the primary partition of Pgm Pst, and those sent to M/E 4 control the secondary partition. This change occurred in software version 7.6 to support DoubleTake.

# Router Interface

## Introduction

The Kalypso system can interface with an external routing system. A routing system connects a router source (router input) to a router destination (router output). Changing the router source sends a different signal to the destination (called a take). A router destination can in turn be connected to a Kalypso input and be configured as a routed Kalypso source (called switcher source in this discussion and in the Kalypso menus). The router acts as a pre-selector for the switcher source, and so increases the number of inputs available to a button on a Kalypso system bus (Figure 200).

Figure 200. Router Source, Router Destination, and Routed Kalypso Source



An external router can be configured into levels, to allow the switching of multiple signals simultaneously. For example, video signals can be organized on one level, and key signals on another. By specifying both levels when giving a router take command, both the video and key signals of a source will be routed to their destinations.

**Note** Kalypso system router take commands are only applied to all router levels. The external routing system's destinations must be configured with all router levels selected.

Router control panels can also protect router destinations from being changed by other control panels. A protected router destination cannot be changed by a different control panel, but may be changed by the panel that set the protection. Protections help prevent inappropriate router source changes. The Kalypso system can be considered a type of router control panel, and so the Kalypso system can protect router destinations. Kalypso system router protect commands are applied to all router levels.

The names of router sources appear on the Kalypso system source name displays. These names originate from the router system, and their text cannot be changed from the Kalypso system. If a routed Kalypso source has no connection to the router, an **X** appears in place of the router source name. If the router connection exists, but no source has yet been selected for that destination (which can occur during bootup), **No Src** appears.

## Features

- Interfaces to the Grass Valley SMS 7000 routing system.
- Kalypso system configuration of routed Kalypso sources.
- Names of router sources are shown on Kalypso panel source name displays.
- Router source selection control via the Kalypso Local Aux panel (or Local Aux subpanel on 2-M/E systems), Main panel, and Menu panel.
- Protection types (None, Protect, and On Air).

## Router Interface Installation

### Control Interface Cabling

Connect an Ethernet cable from the Kalypso system Ethernet switch to the SMS 7000 network. The Kalypso system can communicate with devices on different networks via a gateway router (see *Gateway IP Address on page 148*). If a gateway router is not used, the SMS 7000 router must be on the same subnet at the Kalypso system.

## Video Interface Cabling

Connect each SMS 7000 destination to an available input connector on the Kalypso Video Processor frame. You will need to know the module and J number of each input connector used for each destination when you configure the Kalypso source (see *External Router Configuration* on page 332).

## External Router Configuration

This procedure assumes the SMS 7000 has already been configured for basic use in your facility, and only needs to be re-configured to interface with the Kalypso system. If the SMS 7000 router is not already configured, you will need to define the node controller, physical matrix, virtual matrix, levels, sources, and destinations (see the *SMS 7000 Configuration Manual*).

1. Open your existing Router configuration using the SMS 7000 GUI.
2. Go to **Setup/Cfgd Np Internet** and edit **NPI1** so all the levels are selected. Only all level takes are supported.
3. If necessary, go to **Configuration/Destination** and add any new destinations that will be used for the Kalypso system. You will need to specify the proper levels if a destination is a video/key pair and note the names and connector numbers.
4. Send this configuration to SMS 7000 system.
5. Make sure the destinations to be used by Kalypso do not have any protects set on the SMS 7000 system. Protects set on the router cannot be overridden by the Kalypso system.

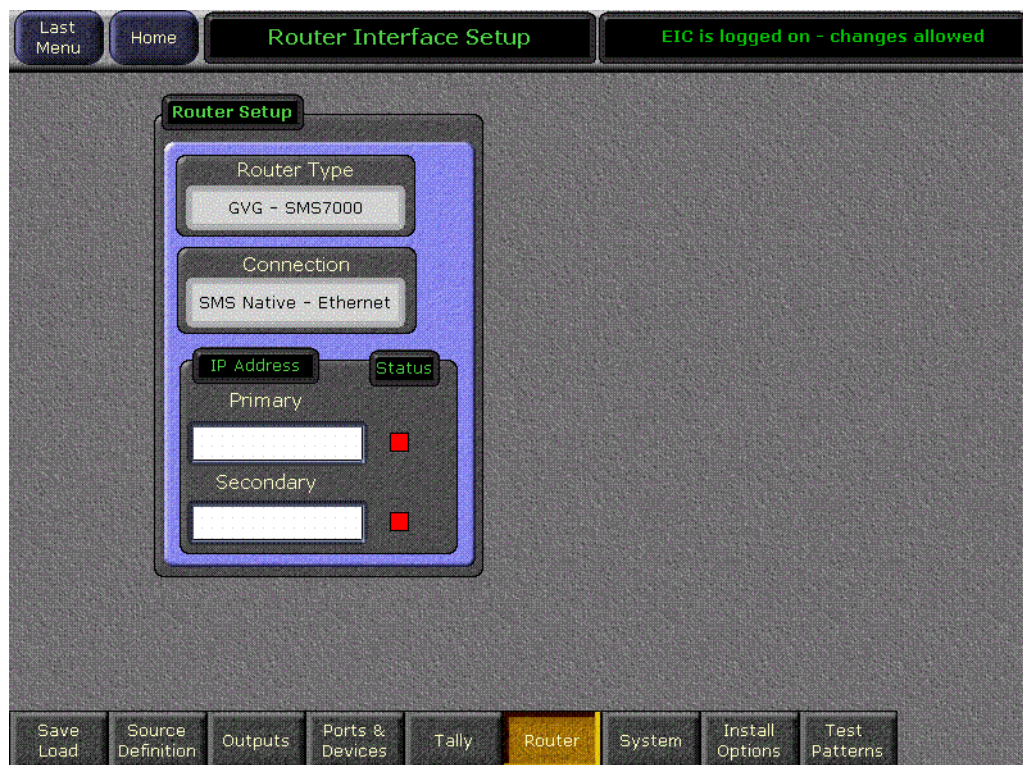
## Kalypso Router Configuration Menus

### Eng Setup Router Device Setup Menu

The Router Device Setup menu is used to set the IP Address(es) the Kalypso system will use to communicate to the external router. The SMS 7000 system can have an optional redundant, or secondary, controller which takes over should the primary fail. Both router control systems will require their own IP address settings.

Press the **Eng Setup** Menu panel button (or the touch button on the top level menu), then touch the **Router** category selection button to go to this menu (Figure 201).

Figure 201. Eng Setup Router Device Setup Menu



The Connection Status indicator is red when communication is not detected, and goes green when communication is established.

### To Set the IP Addresses:

1. Touch the **Primary** IP Address data pad and enter the primary address of the router with the pop-up keypad.
2. Touch the **Secondary** IP Address data pad and enter the secondary IP address of the router, if appropriate. If the router has only one control system, leave this address set to the blank default.

**Note** If the Kalypso system has been configured with a router IP address but a connection to the router has not been established, changing the IP address in this menu will not make the Kalypso system immediately try to connect to the new router address. The Kalypso system will automatically try to connect after about 30 seconds using the entered router IP addresses.

## Primary and Secondary Router Communications

The Kalypso system will initially use the primary router IP address for communications. If the primary control system fails to respond, the Kalypso system will attempt to use the secondary IP address for router communications, and if successful will continue using it in the future. If communications then is lost to the secondary control system, the Kalypso system will attempt to reestablish communications with the primary router control system.

## Eng Setup Source Menu

The Eng Setup Source menu is used to define routed Kalypso sources, which includes specifying which router destination will be associated with each switcher source. Press the **Eng Setup** Menu panel button, then touch the **Sources** category selection button, to go to this menu (Figure 202).

Figure 202. Eng Setup Router Select Menu



1. Select the Kalypso source to be configured with the router on the left scrolling list.
2. Touch the Video Input data pad and enter the number of the Kalypso input that will be used with the router video destination.

- If the routed source will have an associated key signal, touch the appropriate Key Input button, then touch the Key Input data pad and enter the number of the Kalypso input that will be used with the router key signal destination.

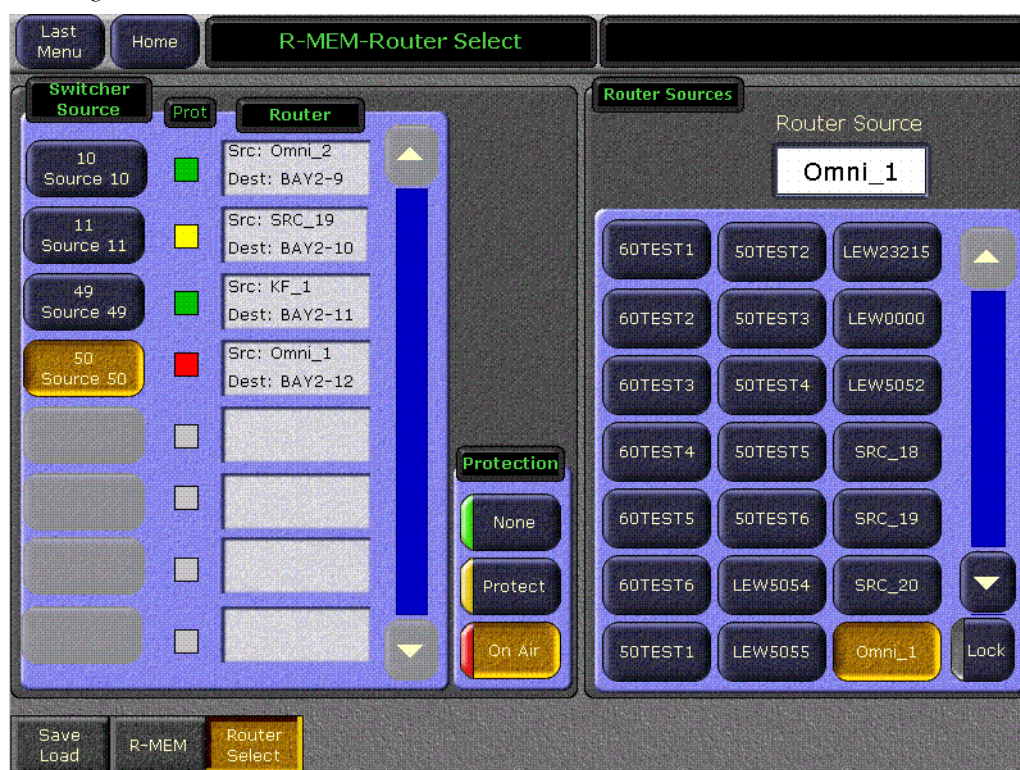
**Note** If you assign a key input, the router system needs to be configured to switch that key destination along with the video destination. Router levels can be used to accomplish this.

- Touch the **Router** type button to identify it as a routed Kalypso source.

**Note** The adjacent status indicator is green when a router is detected, and red when there is no response. If red, you should check the Kalypso or router system configuration or the physical Ethernet connections.

- Touch the **Destination** data pad to open the Router Destinations menu. The Kalypso Video Processor frame receives a list of destination from the router and displays them on this menu.

Figure 203. Router Destination Selection Menu



- Touch the button for the desired destination to assign it to the previously selected Kalypso router source. Alternatively, you can touch the Router Destination data pad on this menu and enter the exact name of the router destination. After the selection you return to the previous menu.

7. Complete the source definition by entering a name, nickname, etc. using the standard source definition procedure.

## Button Mapping

Once the sources are defined, they can be mapped to source buttons using the standard button mapping procedure, using the Button Mapping menu accessed via **Daily Setups, User Prefs, Button Mapping**. See the separate *Kalypso User Manual* for specific button mapping procedures.

To test operation, select the Local Aux panel in the menu and map some router sources on a bus on that panel.

## Test Operation

Once configured, Local Aux panel buttons mapped to router sources will display their router source names. You should be able to change these sources using the Local Aux panel.

Router source selection is a two step process. You first select the switcher source you wish to change, and then select the new router source for that destination. Prompting in the lower left area of the panel indicates which step should be performed next.

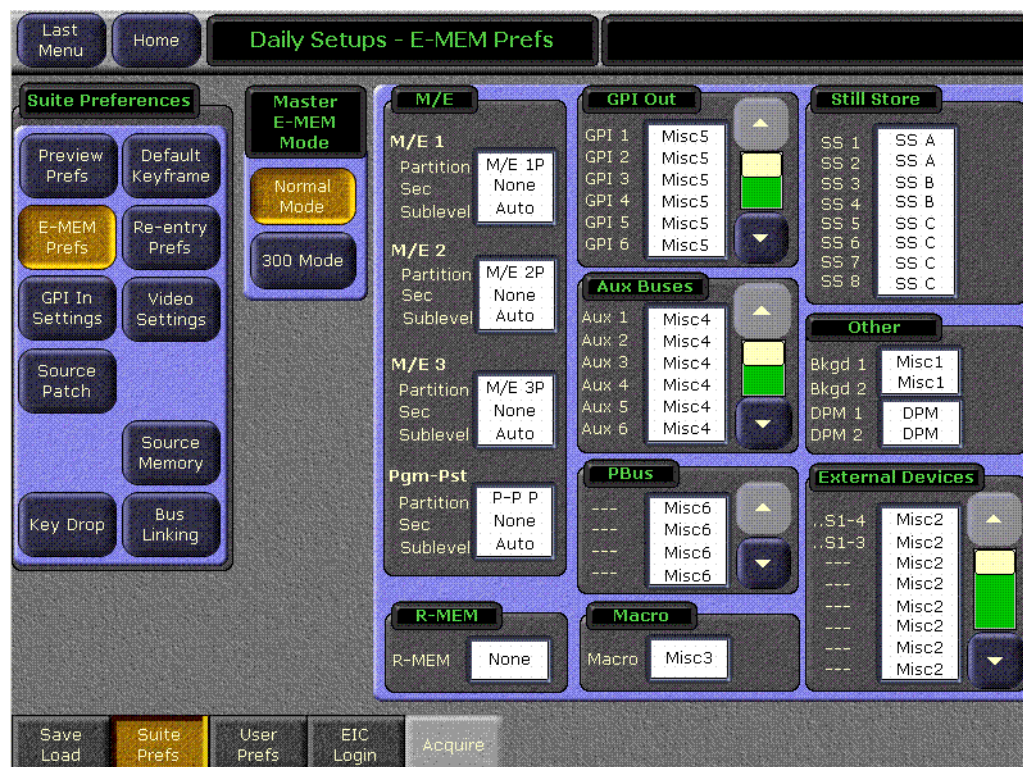
1. Select one of the router sources on the PGM or PST bus so it is displayed on a monitor.
2. Press the **Router Assign** button on the Local Aux panel to enter Router Assign Mode (the button blinks while in this mode). The source name displays will change to show only the routed Kalypso sources, with their current router source name. All other buttons and displays go dark.
3. Choose a switcher source by pressing its source select button. The **Shift** and **Unshift** buttons can be used to access additional switcher sources. After selection, the source name displays will change to show the names of the available router sources. The currently selected router source will be backlit in red.
4. Select a router source for the chosen switcher source by pressing the source select button displaying the name of the desired source. The video on the monitor will change to the new source. After selecting a router source, the system returns to [Step 2](#) and you can select another switcher source to change.
5. When finished, press the **Router Assign** button on the Local Aux panel to return it to normal operation.



## E-MEM Control of R-MEM

You can assign R-MEM to an E-MEM enable group, to permit E-MEM control. Go to the E-MEM prefs menu by touching the **Daily Setups** Menu panel button, then touching **Suite Prefs, E-MEM Prefs** (Figure 204).

Figure 204. E-MEM Prefs Menu



By default R-MEM is not assigned to any enable group. To assign, touch the R-MEM data pad and then choose the enable group you wish to use from those displayed.

**CAUTION** Make sure the R-MEM enable group you choose is only enabled when you actually need to use it during effect recalls. Confusing source selection button changes can occur otherwise. Using E-MEM Auto Recall can help control when groups are enabled.

## Device Control for Routed Sources

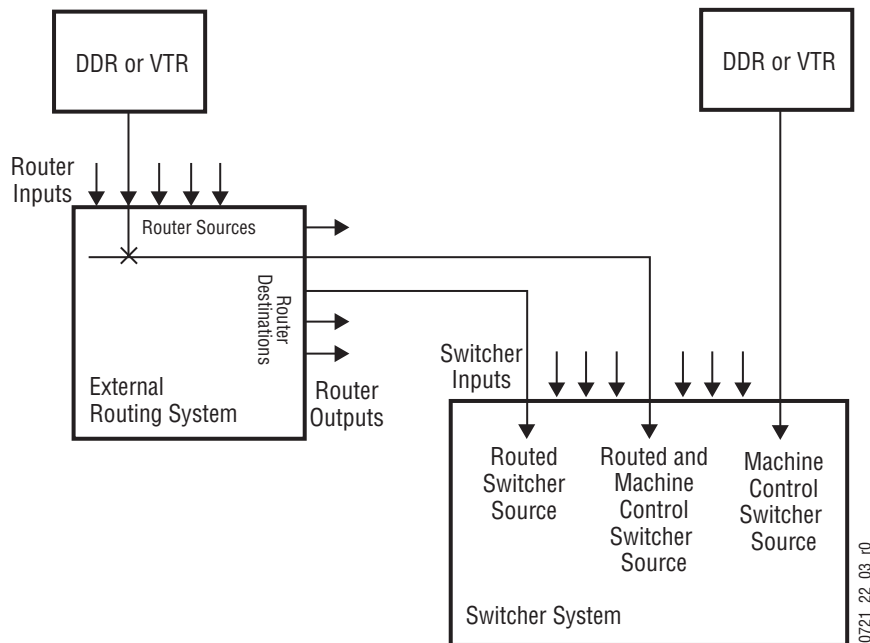
### Introduction

The Kalypso system has machine control capabilities that permit, for example, cueing and playing DDRs and VTRs. The Kalypso system can also be configured with an external routing system. By connecting router destinations (router output signals) to Kalypso source inputs (called routed

switcher sources), different router sources (router inputs) can be directed to these Kalypso inputs. The Kalypso operator can send take commands to the router from the Kalypso user interface to switch router sources that feed the Kalypso source inputs. The Kalypso system also receives the names of router sources and destinations from the external routing system for display on the Kalypso user interface.

Kalypso machine control and external routing capabilities can now be combined to permit Kalypso control of external devices that feed routed Kalypso sources. When a router source associated with an external device feeds a Kalypso routed source, that device can be controlled directly from the Kalypso system. Existing machine control and router control Kalypso system capabilities also remain available separately (Figure 205).

Figure 205. Combined Machine Control and Router Control



The combination of these features has one limitation. The Kalypso system can perform ganged or linked operations on external devices connected as routed sources, but it is important to understand that the ganging is based on *devices* rather than sources. When a router source linked to an external device is changed, the ganging for that source no longer works. If you change the router source, the rules for ganging no longer apply, and the ganging no longer works.

## Configuration Overview

To make these features work together, in addition to the configuration required for their independent operation, the external devices configured for control by the Kalypso system must be mapped to the router sources

they are connected to. This information is stored in mapping table that is saved and loaded with the Engineering Setup files.

Kalypso system machine control and external router configuration procedures are explained in the separate *Kalypso Installation and Service Manual*, and for Encore control the *Machine Control Interfaces Installation Instruction Manual*. Refer to these manuals for detailed instructions.

In summary, the entire configuration process involves the following steps:

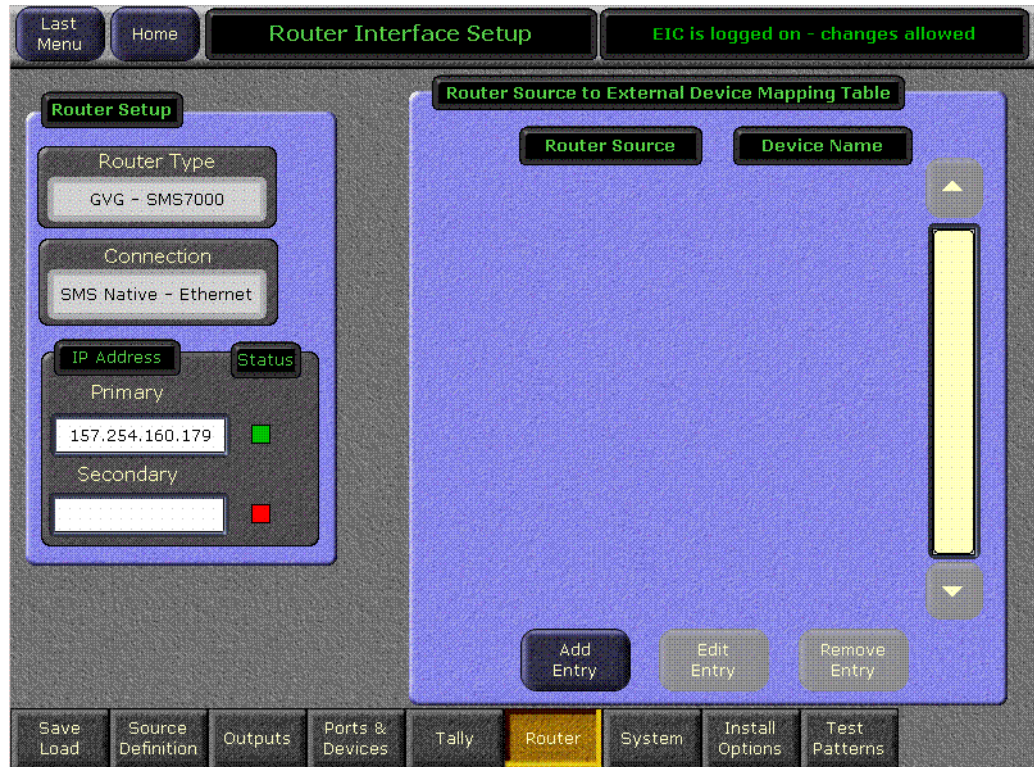
1. Configure machine control by creating, naming, and setting up devices via the Kalypso Eng Setup, Ports & Devices menu.
2. Establish communications between the Kalypso system and the external router, via the Eng Setup, Router menu, and by configuring the router itself to allow external control of it by the Kalypso system.
3. Identify the routed Kalypso sources by selecting **Router** for each of these source inputs in the Eng Setup, Source Definition menu.
4. Map each Router Source to each Device. This new step ties the two features together. The menu used for this is described below, and can be accessed from the Router Interface Setup screen in the Eng Setup, Router menu.
5. You will now be able to change router sources using the Kalypso R-MEM menus and control a device that is mapped to that router source.

As you can see, several different menus are used to combine router and machine control. Each sets up a specific link in the chain. Should one link not be configured correctly combined capabilities will not be realized, but portions of the chain that are configured correctly will continue to operate.

## Router Source to External Device Mapping

Router sources are mapped to external devices with the Router Interface Setup menu, accessed via **Eng Setup, Router** (Figure 206).

Figure 206. Router Interface Setup Menu



The IP address of the router is entered in the pane on the lower left. When communications is established the status indicator will be green.

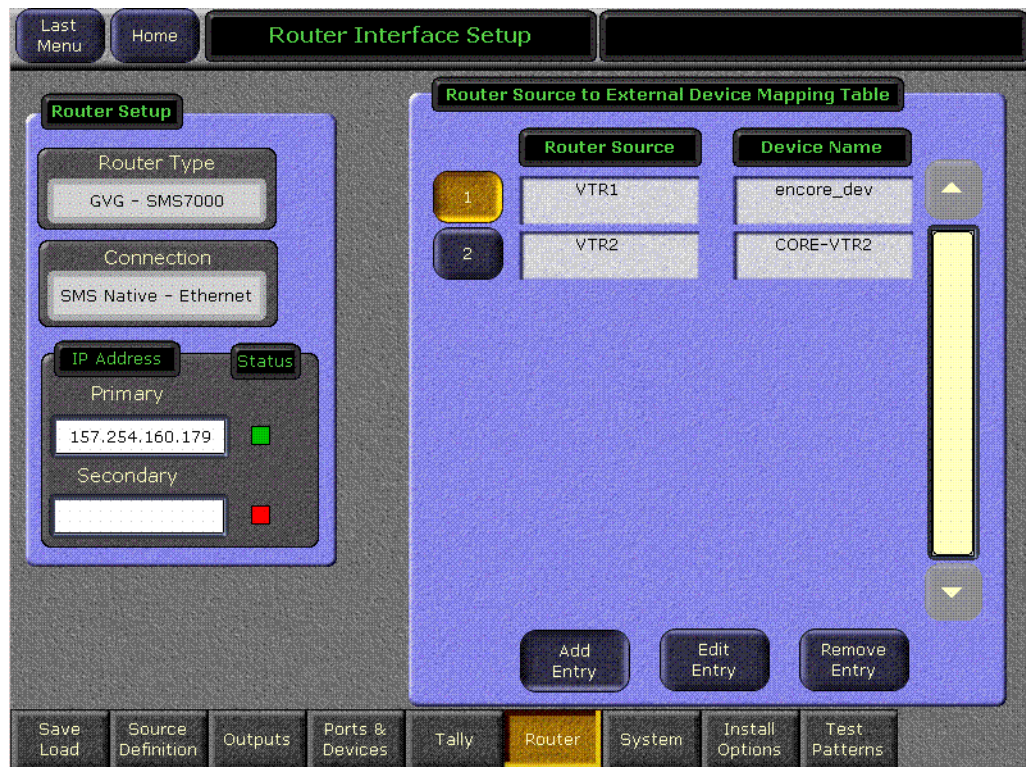
Touching the **Add Entry** button opens a menu with two selection panes. The left pane displays the names of router sources if the router is connected and properly configured to operate with the Kalypso system. Currently configured external devices are displayed in the pane on the right (Figure 207).

Figure 207. Router Source and External Device Mapping Menu



Select a router source from the scrolling list on the left and a device in the list on the right and touch **Add** to map them together. You can select additional router source/external device pairs and map each of them by pressing the **Add** button. When finished with the mapping, touch the **Done** button. You are returned to the previous menu and the current mappings will be displayed (Figure 208).

Figure 208. Router Interface Setup Menu



Entries can be edited by selecting the numbered button and touching the **Edit Entry** button. You can then remap that relationship.

Touching the **Remove Entry** button removes the selected mapped pair from the mapping table.

With the mappings established, you will now be able to change router sources with the Kalypso R-MEM menus, and if that router source is an external device (a correctly configured DDR, for example), you will be able to cue and play that device from the Kalypso Machine Control menu and subpanel.

# Index

## Numerics

- 1-M/E Main panel
  - adjustments [205](#)
  - cabling [84](#)
  - installation [82](#)
  - reset button [36, 37](#)
- 1-M/E panel
  - source name display adjustments [205](#)
- 24-Crosspoint Aux panel
  - button labeling [268](#)
- 24-Crosspoint Remote Aux panel [39](#)
  - communications bus [93](#)
  - connections [90](#)
  - diagnostics [258](#)
  - force high tally switch [92](#)
  - installation [90](#)
  - joystick override connector [92](#)
  - panel address switch [91](#)
  - power supply [94](#)
  - switch settings [91](#)
  - test mode switches [92](#)
- 2-M/E Kalypso system
  - options [25](#)
  - standard features [25](#)
- 2-M/E Main panel
  - adjustments [204](#)
  - reset button [35](#)
- 32-Crosspoint Aux panel
  - button labeling [267](#)
- 32-Crosspoint Remote Aux panel [38](#)
  - AC Power [89](#)
  - connections [88](#)
  - installation [88](#)
  - joystick override connector [89](#)
  - LAN [88](#)
  - restoring default IP address [148](#)
  - setting IP address [145](#)
- 4-M/E Kalypso system
  - cabling [114](#)
  - control [48](#)
  - options [24](#)
  - standard features [23](#)

- 4-M/E Main panel
  - adjustments [204](#)
  - reset button [30](#)

## A

- accessing Main panel components [30, 35](#)
- adaptable mounting bracket [99](#)
- adjustable freestanding console bracket [101](#)
- air filter [216](#)
- air filter maintenance
  - Video Processor [63](#)
- AMP Ethernet protocol
  - capabilities [316](#)
  - configuration [315, 316](#)
  - control of Profile VDR [315](#)
- AMP protocol
  - Profile VDR models supported [315](#)
  - restrictions [317](#)
  - software enabled option [314](#)
- AMP Serial protocol
  - control of Profile VDR [314](#)
- authorizing software options [272](#)
- autotiming [120](#)
- autotiming window
  - and time zones [122](#)
- Aux bus
  - configuration [163](#)
- Aux bus pairs configuration [165](#)

## B

- bench test [53](#)
  - Ethernet configuration [61](#)
- board
  - Local Aux processor interface (2-M/E) [231](#)
- bracket
  - Menu panel type [99](#)
- button
  - lamp replacement [261](#)
  - laser etched legend [265](#)

- LED replacement 261
- Local Aux panel reset 276
  - see also* touch button
- Video Processor reset 275
- button label replacement
  - 24-Crosspoint Aux panel 268
  - 32-Crosspoint Aux panel 267
  - Kalypso panels 266
- button label specifications 264
- button labeling
  - laser etched lens 265
- button mapping 159
  - joystick override 169
  - Remote Aux panel 168
  - Router interface 336
- BVW-75 protocol
  - control of Profile VDR 314
  - control of VTR 319

**C**

- cable
  - USB 106
- cables provided 115
- cabling
  - 1-M/E Main panel 84
  - 4-M/E Kalypso system 114
  - control surface 114
  - Kalypso system 114
  - supplied 115
- calibration
  - joystick 204, 206
  - lever arm 204, 206
  - Menu panel display 207
  - source name display 204, 205, 206
- Canadian EMC notice of compliance 17
- CD-ROM drive 33
  - Menu panel 31
  - termination 127
- certifications and compliances 17
- clear NV Memory 270
- collaborative resource sharing 190
- COM Boot dial switch 138
- communications bus
  - 24-Crosspoint Remote Aux panel 93
- component access
  - Main panel 30, 35

- configuration
  - Aux bus 163
  - basic steps 131
  - Main panel configuration switch 269
  - Remote Aux panel 166
- connections
  - Local Aux panel 33
  - Main panel 29
  - Menu panel 31
- contrast
  - adjustment on source name display 204, 205, 206
- control panel
  - 1-M/E Main 36
  - 2-M/E Main 34
  - 4-M/E Main 29
  - cleaning 222
  - LAN 116
  - Local Aux 32
  - Menu 30
  - options 38
  - see also* control surface
- control surface
  - cabling 114
  - cleaning 222
  - definition 27
  - for resource sharing 193
- cooling
  - Video Processor 41, 132
- creating a new device definition 300
- crossover button
  - Menu panel 105

**D**

- daily setups 189
- DC power
  - input, Remote Aux panel 90
- DDR
  - Port & Device Definition menu 301
- default output assignments 161
- delay
  - video 120
- desired resources
  - resource sharing 193
- device attributes
  - Port & Device Definition menu 299



- device definition
  - creating 300
  - editing 300
  - external interfaces 294
  - removing 300
- device definition object
  - standard 295
- diagnostics
  - 24-Crosspoint Remote Aux panel 258
  - Local Aux panel 255
  - Main panel 250
  - Menu panel 260
  - NetCentral 282
- diagnostics tools
  - Video Processor frame software 213
- Disk-On-Chip replacement 225
- documentation
  - Kalypso system 15
- documentation online 4
- DPM
  - Port & Device Definition menu 303
- drain NV Memory 270
- drive
  - removable media 33
  - types and replacement 225

## E

- editing a device definition 300
- editor
  - external interfaces 329
  - Port & Device Definition menu 297
- Effects Memory
  - see also* E-MEM
- Effects Send
  - delegation 306
  - main panel controls 305
- Effects Send menu 306
- EIC login 151
  - to another control surface 202
- E-MEM
  - control of R-MEM 337
- Emergency Bypass Option 113
- EN55103-1/2 Class A warning 18
- Encore
  - control of Profile VDR 317
  - control of VTR 319

- Eng Setup-Router Device Setup menu 333
- Eng Setup-Router Select menu 334
- Eng Setups file
  - and Remote Aux panels 170
- engineering ID 156
- engineering setups 149
  - loading 188
  - save procedure 187
- Enhanced Menu panel
  - reset button 31
- enhanced network security
  - resource sharing 203
- Ethernet 116
- Ethernet communication
  - re-configure 61
- example of studio configuration 45
- extension kit
  - for Satellite Panel 97
- external control point
  - resource sharing 194
- external interfaces 293
  - device definition 294
  - editor 329
  - GPI Inputs 328
  - GPI Outputs 327
  - GVEous 311
  - interfaces supported 26
  - Krystal DPM 307
  - Peripheral Bus II 321
  - Profile VDR 314
  - Router 330
  - serial port assignments 68
  - VTR 319

## F

- facility configuration example 45
- FAQ database 4, 212
- FCC emission control 17
- field replaceable units 289
- filter 216
- fixed outputs 160
- flow of video signal 46
- flush mount kit
  - Menu panel 102
- Force High Tally switch

- 24-Crosspoint Remote Aux panel 92
- frequently asked questions 4
- FRU
  - see also* field replaceable unit
- fuse replacement 223

## G

- gateway IP address 148
- general external device interfacing 293
- GPI
  - Outputs 70
- GPI In menu 328
- GPI Inputs
  - external interfaces 328
- GPI output
  - Port & Device Definition menu 296
- GPI Outputs
  - external interfaces 327
- Grab SW Diag Data button 214
- Grass Valley web site 4, 212
- GVeous
  - external interfaces 311
  - Peripheral Bus II 323
  - source number mapping 312

## H

- hard drive
  - reformatting drive in frame 217
  - reformatting drive in Still Store 219
- hard drive replacement 225
- HD mode
  - changing to SD 184
- hot swapping modules 42

## I

- independent resource sharing 191
- initialization 131
  - indicators 132
- inputs
  - video 119
- installation
  - 1-M/E Main panel 82
  - 24-Crosspoint Remote Aux panel 90

- 32-Crosspoint Remote Aux panel 88
- KlipCache option 73
- Local Aux panel 33, 112
- Main panel 32
- Menu panel 32
- overview 52
- Shot Box 94
- Video Processor 62
- Zip drive 106
- interfaces supported
  - external interfaces 26
- IP address 134
  - changing Video Processor with terminal 137
  - changing Video Processor with web browser 136
  - connect to existing network 134
  - default 134
  - gateway 148
  - Local Aux panel 144
  - Main panel 140, 141
  - Menu panel 142
  - Remote Aux panel 145
  - Router interface 333
  - set Video Processor to temporary default 139
  - setting manually 148
  - Still Store 138, 144
  - Subnet mask 141, 142
  - Video Processor 136

## J

- joystick
  - calibration 204, 206
- joystick override
  - button mapping 169
- joystick override connector
  - 24-Crosspoint Remote Aux panel 92
  - 32-Crosspoint Remote Aux panel 89

## K

- Kaleidoscope
  - Peripheral Bus II 324
- Kalypso Classic system 23
- Kalypso Duo
  - optional features 25
  - standard features 25
- Kalypso HD system 23

- Kalypso panel
  - button labeling [266](#)
- Kalypso system
  - cabling [114](#)
  - control by PC [108](#)
  - documentation [15](#)
  - general description [23](#)
- Kalypso system types
  - Classic and HD [23](#)
- KlipCache option
  - installation [73](#)
- Krystal DPM
  - external interfaces [307](#)
  - Peripheral Bus II [323](#)

**L**

- LAN [116](#)
  - control panel [116](#)
  - troubleshooting [281](#)
- Lance Design controller
  - Peripheral Bus II [325](#)
- lever arm
  - calibration [204, 206](#)
- load engineering setups procedure [188](#)
- Local Aux panel
  - adjustments [206](#)
  - cabling [114](#)
  - connections [33](#)
  - described and illustrated [32](#)
  - diagnostics [255](#)
  - general description [111](#)
  - installation [33, 112](#)
  - maintenance [254](#)
  - power [30, 33](#)
  - rear connections [111](#)
  - reset button [33, 276](#)
  - setting IP address [144](#)
  - source name display adjustments [206](#)
  - troubleshooting [254](#)
- Local Aux processor interface board (2-M/E)
  - replacement [231](#)
- logical Aux bus
  - resource sharing [194](#)
- logical ID [156](#)
- logical name [156](#)
- logical nickname [156](#)

- login
  - to another control surface [202](#)

## M

- Machine Control
  - configuration with router [338](#)
  - limitation with router interface [338](#)
  - mapping router sources [340](#)
  - used with router [337](#)
- Machine Control option
  - database [136](#)
- Main panel
  - 1-M/E cabling [84](#)
  - 1-M/E described and illustrated [36](#)
  - 2-M/E described and illustrated [34](#)
  - 4-M/E described and illustrated [29](#)
  - Boot dial switch [269](#)
  - cabling [114](#)
  - component access [30, 35](#)
  - configuration switches [269](#)
  - connections [29](#)
  - diagnostics [250](#)
  - installation [32](#)
  - IP address [140, 141](#)
  - maintenance [222](#)
  - power supply replacement [234](#)
  - redundant power supply [87](#)
  - replacing modules [222](#)
  - reset button
    - early model [279](#)
    - reset button
      - Main panel [277](#)
  - software [269](#)
  - speaker volume adjustment [205](#)
  - troubleshooting [240](#)
- Main panel adjustments
  - 1-M/E [205](#)
  - 2-M/E [204](#)
  - 4-M/E [204](#)
- maintenance [211](#)
  - Local Aux panel [254](#)
  - Main panel [222](#)
  - Menu panel [259](#)
  - Video Processor [216](#)
- memory
  - installing extra KlipCache [73](#)
- menu

- Effects Send 306
- Eng Setup-Router Device Setup 333
- Eng Setup-Router Select 334
- GPI In 328
- Port & Device Definition 171, 295
- Source Definition 294
- Sync/Timing 183
- Tally Calculation Definition 174
- Tally Relay Assignments 181
- Test Patterns 186
- Menu on PC 108
  - knobs 110
  - large fonts 109
- Menu panel
  - additional 106
  - cabling 114
  - CD-ROM drive 31
  - connections 31
  - crossover button 105
  - described and illustrated 30
  - diagnostics 260
  - display calibration 207
  - flush mount kit 102
  - installation 97
    - original panel 124
  - installation and orientation 32
  - IP address 142
  - maintenance 259
  - mounting bracket types 99
  - pinouts 105
  - power 30
  - power supply 32
  - recommended mounting location 98
  - reset button
    - enhanced panel 278
    - original panel 279
  - touchscreen calibration
    - enhanced panel 207
    - original panel 208
  - ventilation 98
- Menu panel touch screen 48
- module
  - field upgrade 217
  - hot swapping 42
  - installation 72
  - replacing 217
- monitor 48
- mounting bracket
  - Menu panel types 99

## N

- NetCentral 282
  - agent 283
  - SNMP required 283
- nickname 156
- NV Memory
  - clearing 270
- NV memory
  - update time 154

## O

- Odetics protocol
  - control of Profile VDR 314
- OmniBus
  - and Windows NT accounts 209
  - database 136
  - Profile DDR interface 318
- online documentation 4
- operating mode
  - changing 184
- option authorization codes 272
- optional features
  - Kalypso Duo 25
- options
  - 2-M/E system 25
  - 4-M/E system 24
  - control panel 38
- output assignments 159, 162
  - changing 162
- outputs
  - Aux bus 163
  - default assignments 161
  - fixed 160
  - video 119
- overview 38

## P

- panel
  - 1-M/E Main 36
  - 2-M/E Main 34
  - 4-M/E Main 29
  - Local Aux 32
  - Menu 30
- Panel Address switch

- 24-Crosspoint Remote Aux panel 91
- panel options 38
- PBus
  - Port & Device Definition menu 304
  - see also* Peripheral Bus II
- PC
  - control of Kalypso System 108
- PC requirements
  - for Kalypso control 108
- Peripheral Bus II
  - external interfaces 321
- pinouts
  - Main panel diagnostics serial port 85
  - Menu panel 105
  - RS-232 port 66, 76, 130
  - Video Processor 66
  - Video Processor Power Supply 76
    - original power supply 130
- Port & Device Definition menu 171, 295
  - DDR 301
  - device attributes 299
  - DPM 303
  - editor 297
  - GPI output 296
  - PBus 304
  - port configuration 298
  - VTR 302
- port configuration
  - Port & Device Definition menu 298
- power
  - Local Aux panel 30, 33
  - Main panel 30, 35
  - Menu panel 30
  - Remote Aux panel, DC 90
- Power Distribution board
  - fuse replacement 223
  - replacement 237
- power indications 132
- power supply
  - Main panel redundant 87
  - Main panel, replacing 234
  - maintenance 221
  - Menu panel 32
  - redundant, Video Processor 75
    - original power supply 129
  - Remote Aux panel 40
  - Video Processor 43, 74, 221
    - original power supply 128

- power up 131
- Profile VDR
  - capabilities with AMP Ethernet 316
  - configuration with AMP Ethernet 315, 316
  - control with AMP Ethernet 315
  - control with AMP Serial 314
  - control with BVW-75 314
  - control with Encore 317
  - control with Odetics 314
  - external interfaces 314
  - models supporting AMP 315
  - serial control 314
- provided cables 115

## R

- Real Time Processor Interface Assembly
  - replacement 228
- reference connections location 42
- regulatory notices 17
- Remote Aux Panel
  - configuration files 170
- Remote Aux panel 38
  - button mapping 168
  - configuration 166
  - connections 38, 88
  - DC power 90
  - types of 87
- Remote Aux panel (24-Crosspoint) 39
- Remote Aux panel (32-Crosspoint) 38
- removable media drive 33
  - original Menu panel 126
- removing a device definition 300
- reset button
  - 1-M/E Main panel 36, 37
  - 2-M/E Main panel 35
  - 4-M/E Main panel 30
  - early Main panel 279
  - Enhanced Menu panel 31, 278
  - Local Aux panel 33
  - original Menu panel 279
  - Video Processor 41
- resource sharing
  - collaborative 190
  - control surface 193
  - desired resources 193
  - EIC login to another control surface 202

- engineering recommendations 202
  - enhanced network security 203
  - external control point 194
  - general description 190
  - independent 191
  - logical Aux bus 194
  - setting up 195
  - suite 192
  - Suite Prefs settings default 199
  - User Prefs 201
  - resource sharing diagram 191
  - RJ-45 cable 97
  - R-MEM
    - control by E-MEM 337
  - Router configuration 332
  - Router interface 330
    - button mapping 336
    - features 331
    - installation 331
    - Primary IP address 334
    - Secondary IP address 334
    - setting IP address 333
    - test operation 336
  - router interface
    - configuration for Machine Control 338
    - limitation with Machine Control 338
    - mapping sources to external devices 340
    - used with Machine Control 337
  - router levels
    - definition 331
  - RS-232 port pinouts 66, 76, 130
- S**
- Safety Requirements 52
  - safety summary 19
  - save engineering setups procedure 187
  - Save SW Diag Data button 214
  - SCSI
    - ID/address 127
    - termination 127
  - SD mode
    - change to HD 184
  - security
    - account setup 150
    - EIC login 151
  - serial control
    - of Profile VDR 314
    - of VTR 319
  - serial port
    - assignments 68
  - serial port assignments 298
  - Shot Box
    - description 94
    - installation 94
  - Shot Box Option
    - description 40
  - signal flow
    - video 46
  - SNMP
    - required for NetCentral 283
  - software
    - installation 210
    - Main panel Boot dial switch 269
    - Main panel configuration switches 269
    - version 133
  - software diagnostics tools
    - Video Processor frame 213
  - software download from web 4
  - software option authorization 272
  - source
    - nickname 156
  - source definition 154
  - Source Definition menu 294
  - source name display
    - contrast adjustment 204, 205, 206
    - hardware type 204, 205, 206
  - source name display hierarchy 157
  - source name displays
    - installation 85
  - source names 156
  - source naming guidelines 157
  - source patching 156, 159
  - speaker volume adjustment on Main panel 205
  - specifications 285
  - standard features
    - 2-M/E system 25
    - 4-M/E system 23
    - Kalypso Duo 25
  - Still Store
    - hard drive reformatting 219
    - memory installation 73
    - recovery procedure 219

- setting IP address [144](#)
- studio configuration example [45](#)
- Subnet mask
  - changing IP address [141](#), [142](#)
- subnet mask [134](#)
- suite
  - for resource sharing [192](#)
- Suite Prefs
  - default settings for resource sharing [199](#)
  - overview [189](#)
- SVGA monitor [48](#)
- swapping modules
  - with power on [42](#)
- switch
  - Force High Tally [92](#)
  - Main panel Boot dial [269](#)
  - Main panel configuration [269](#)
  - Panel Address [91](#)
  - Test Mode [92](#)
  - Video Processor COM Boot Dial [138](#)
- switcher delay
  - maximum [120](#)
- Sync Ref [183](#)
- Sync Ref selection [184](#)
- Sync/Timing menu [183](#)
- system control
  - connection location [42](#)
  - overview [48](#)
- system operating mode
  - changing [184](#)
- system timing
  - timing analyzer [121](#)

## T

- tally
  - calculation [172](#)
- Tally Calculation Definition menu [174](#)
- tally configuration [172](#)
- tally relay
  - description [180](#)
- Tally Relay Assignments menu [181](#)
- tally system description [172](#)
- termination
  - SCSI [127](#)
- test mode switches

- 24-Crosspoint Remote Aux panel [92](#)
- Test Patterns menu [186](#)
- time zones
  - and autotiming window [122](#)
- timing [120](#)
- timing analyzer [121](#)
- Touch Screen Display
  - option [106](#)
- touchscreen calibration
  - Enhanced menu panel [207](#)
  - original Menu panel [208](#)
- troubleshooting
  - LAN [281](#)
  - Local Aux panel [254](#)
  - Main panel [240](#)

## U

- USB
  - cable [106](#)
- USB 250 MB Zip drive [33](#)
- USB Memory Stick [106](#)
- User Prefs
  - and Remote Aux panels [170](#)
  - for resource sharing [201](#)
  - overview [189](#)

## V

- ventilation
  - Menu panel [98](#)
- video
  - inputs [119](#)
  - outputs [119](#)
- video delay [120](#)
- Video Processor
  - air filter maintenance [63](#)
  - COM Boot dial switch [138](#)
  - cooling [41](#)
  - described and illustrated [41](#)
  - front bay [64](#)
  - hard drive reformat [217](#)
  - installation [62](#)
  - IP address,changing [136](#)
  - maintenance [216](#)
  - options [72](#)
  - pinouts [66](#)

## Index

- power supply [74, 128](#)
- power supply maintenance [221](#)
  - original power supply [221](#)
- rear bay [65](#)
- recovery procedure [217](#)
- reset button [41, 275](#)
- Still Store hard drive reformat [219](#)
- Video Processor frame
  - 4-M/E [41](#)
  - module field upgrade [217](#)
  - module replacement [217](#)
  - software diagnostics tools [213](#)
- Video Processor Power Supply [43](#)
  - pinouts [76, 130](#)
- Video Processor temporary default IP address [139](#)
- video signal flow [46](#)
- VTR
  - control with BVW-75 [319](#)
  - Encore control [319](#)
  - external interfaces [319](#)
  - Port & Device Definition menu [302](#)
  - serial control [319](#)

## W

- web browser
  - changing Video Processor IP address [136](#)
- web browser access [212](#)
- web site
  - Grass Valley [212](#)
- web site documentation [4](#)
- web site FAQ database [4](#)
- web site Grass Valley [4](#)
- web site software download [4](#)
- Windows accounts [209](#)

## Y

- Y-cable for Shot Box [97](#)

## Z

- Zip drive
  - installation [106](#)
  - USB cable [106](#)