

DENSITÉ 3+ XIP-3901-FS

Dual-channel 12G/Quad Link 3G/3G/HD-SDI Frame Synchronizer and Gearbox with HDR Application for XIP-3911 and XIP-3901



XIP-3901-FS application for the reprogrammable software-defined platforms Densité 3+ XIP-3911 and XIP-3901.

The XIP-3901-FS application from Grass Valley is a dual-channel 12G/quad link 3G/3G/HD-SDI frame synchronizer with gearbox functionality, which is designed to synchronize and convert color space between ITU-R BT.2020 and ITU-R BT.709 in 4K UHD, 1080p and HD broadcast productions. The XIP-3901-FS application will delay 12G/3G/HD embedded audio and metadata to maintain synchronization with video.

The optional HDR processor, XIP-3901-UDC-HDR, allows conversion between SDR and HDR formats and wide color gamut BT.709 and BT.2020, supporting HLG (ITU-R BT.2100), PQ (ITU-R BT.2100), and S-Log3/S-Gamut3 formats. In addition to the Grass Valley LUTs, you can select BBC LUTs v1.4 or you

can choose your own custom LUTs compliant to Adobe cube file v1.0 for fully flexible HDR processing. The HDR processor operates in full 10-bit video signals with the ability to pass sub-blacks and super-whites in SMPTE Narrow video signals and the support of SMPTE Full in PQ and S-Log3 signals.

The XIP-3911 and XIP-3901 agile processing platforms come with all the 12G/quad link 3G/3G/HD-SDI connectivity to support two 4K UHD processing paths. The XIP-3911 and XIP-3901 are installed in the established Densité modular frame. Due to advanced processing capabilities and power requirements, the XIP-3911 and XIP-3901 are supported by the Densité 3+ FR1 and FR4 frames.

Based on the proven Densité modular framework of over 100 cards, the flexible, space-efficient XIP-3911 agile processing platform can accommodate a gradual adoption of different production elements into 1080p and 4K UHD broadcasting workflows – and enables dual HDR/SDR production – all while protecting your investment in installed equipment. With flexibility to configure up to 12 XIP-3911 dual-channel processing applications per Densité 3+ FR4 frame, the Densité platform scales to a market-leading density of 24 4K UHD processors with HDR conversions in a 4 RU frame. This means space and cost-efficient scaling today and tomorrow. The XIP-3901-FS is configured, controlled and monitored by GV Orbit from Grass Valley.

Densité 3+ FR4



12 XIP-3911 = 24 4K UHD Channels

Densité 3+ FR1



2 XIP-3911 = 4 4K UHD Channels

Key Features

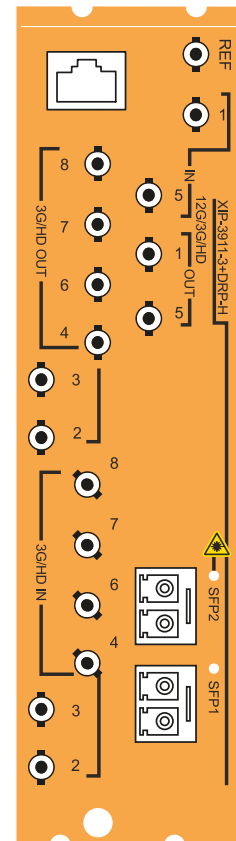
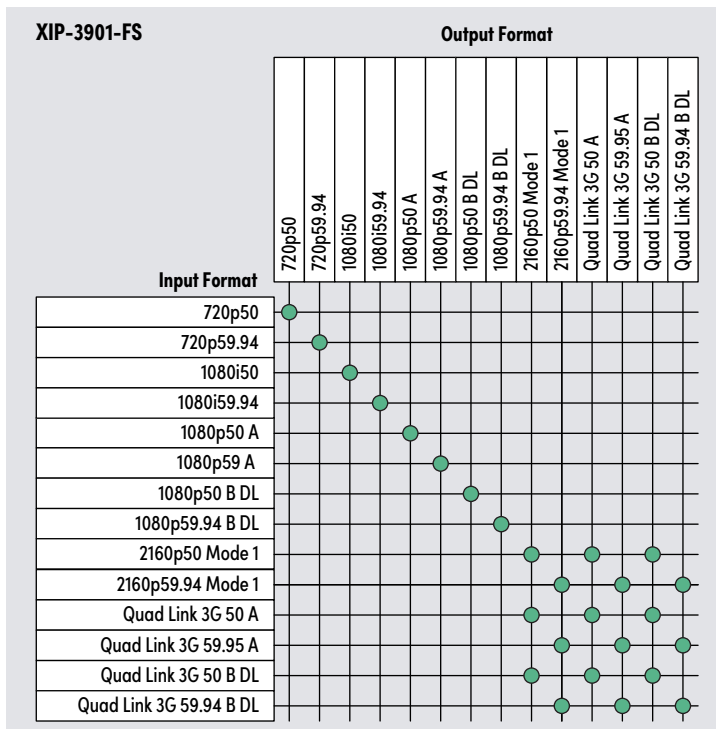
- Independent dual processing channels
- HD 720p/1080i, 3G 1080p, quad link 3G and 12G 2160p inputs and outputs
- 12G-SDI Mode 1 and Type 1
- Quad link 3G in 2SI and square division
- 3G level A & level B dual link
- 12G-SDI to/from quad link 3G in 2SI/square division
- Integrated frame synchronizer (freeze to last valid frame on error)
- Minimum processing delay mode available when input and output formats are the same
- Audio/video deglitcher to handle video hot switch at the input
- XIP-3901-UDC-HDR option provides HDR conversion supporting both Wide Color Gamut BT.709/ BT.2020 and High Dynamic Range: HLG, PQ and S-Log3:
 - All processing operates in full 10-bit video signals with ability to pass sub-blacks and super-whites in SMPTE narrow video
 - Choice between Grass Valley conversions algorithms, BBC HLG LUT v1.4 and user defined 3D-LUT support
 - ITU R BT 2111 HLG/PQ color bar test patterns
- External reference or URS frame reference
- Embedded audio and metadata delay and synchronization
- GV Orbit for configuration, control and monitoring
- Individual XIP-3911 and XIP-3901 applications licensed, purchased as needed
- Rapid switching between applications

XIP-3901-UDC-HDR processing option supported conversions:

GV LUT Conversions	BBC LUTs v1.4	Up to 8 User-defined LUTs
BT.709 ↔ BT.2020	BT.709 ↔ HLG BT.2100 Scene-referred	Adobe cube file v1.0 – 33 cube
BT.709 ↔ HLG BT.2100	BT.709 ↔ HLG BT.2100 Display-referred	BT.709 ↔ BT.2020
BT.709 ↔ PQ ST.2100	HLG BT.2100 ↔ PQ BT.2100	Narrow ↔ Full range
S-Log3/S-Gamut3 → BT.709	S-Log3 BT.2020 → HLG BT.2100	
S-Log3/S-Gamut3 → HLG BT.2100		
S-Log3/S-Gamut3 → PQ BT.2100		

And new ITU R BT.2111 HLG/PQ Color bar test patterns

Supported input/output video formats:



XIP-3911-3+DRP-H

Specifications

SDI (Inputs/Outputs)

Physical: 16 HD-BNC connectors: 8 in, 8 out

SDI Standard:

- SMPTE ST 292 (1.485, 1.485/1.001 Gb/s)
- SMPTE ST 424 (2.970, 2.970/1.001 Gb/s)
- SMPTE ST 2082-1:2015 (in 1 & 5, out 1 & 5)

Supported Input/Output Formats:

- HD: SMPTE ST 274: 1080i59.94, 1080i50
- HD: SMPTE ST 296: 720p59.94, 720p50
- 3G: SMPTE ST 425 level A (mapping 1), level B dual link: 1080p59.94, 1080p50
- 4K UHD: Quad Link 3 Gb/s SMPTE ST 425-5: 1080p59.94, 1080p50
- 12G: SMPTE ST 2082-10: 2160p59.94, 2160p50

Cable Length (Belden 1694A):

- HD: 250m (820 ft.) at 1.485 Gb/s
- 3G: 150m (492 ft.) at 2.970 Gb/s
- 12G: 55m (180 ft.) at 11.88 Gb/s

Jitter:

- HD/SD: <0.2 UI (alignment jitter)
- 3G: <0.3 UI (alignment jitter)
- 12G: <0.3 UI (alignment jitter)

Reference Input

Physical: SMPTE ST 170/SMPTE ST 318/ITU 624-4 blackburst

Ethernet Port for Media

Not used by this application

Ethernet Port for Control

Physical: One electrical RJ45 port

Standard: IEEE 802.3 1000 Mb/s

Video Processing Performance

Signal path: 10 bits minimum

Electrical

Power: 60W maximum

Ordering

Application Software

XIP-3901-FS

12G/3G/HD SDI Dual Frame Sync and Gearbox application

Application Option

XIP-3901-UDC-HDR

HDR processing option

Densité 3+ Frame

XIP-3911

Agile SDI/IP processing platform

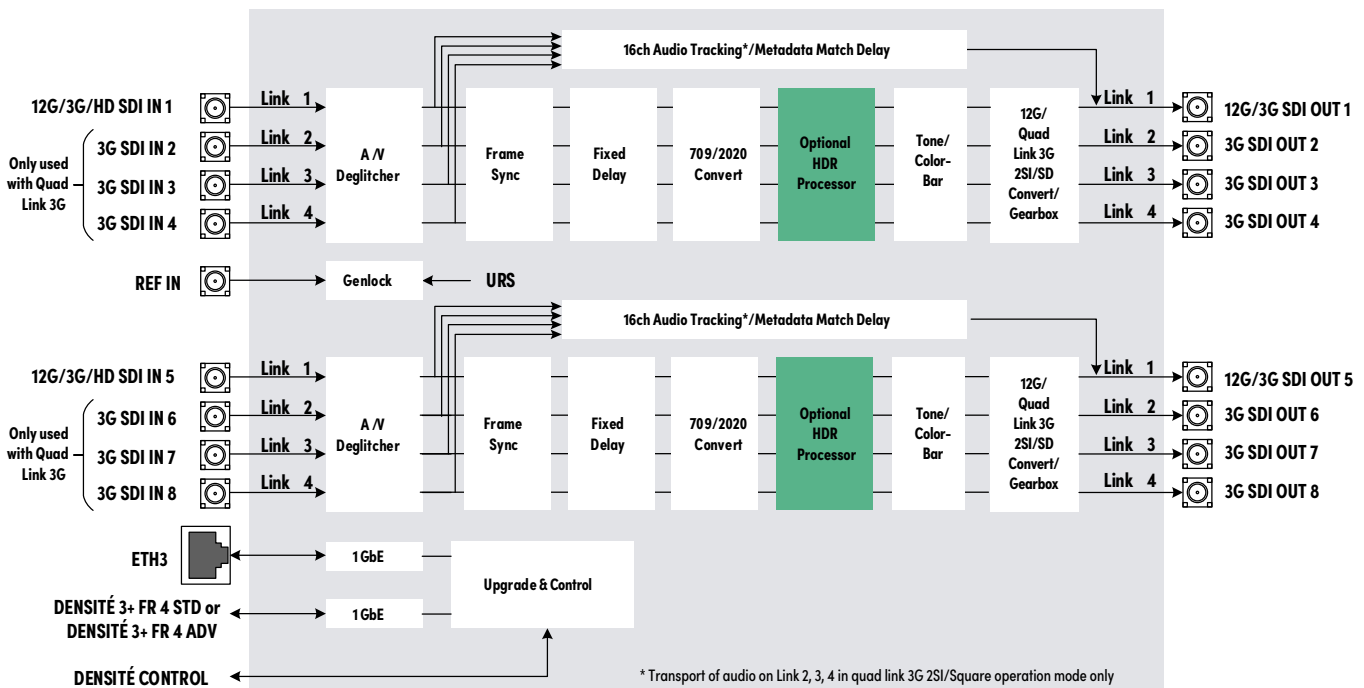
XIP-3911-3+DRP-H

Double rear panel for Densité 3+ with HD-BNC

Remote Control

GV Orbit version 1.2, iControl or iControl Solo (version 7.50 or higher required)

XIP-3901-FS Application Functional Diagram



XIP-3901-FS Dual-channel 12G/Quad Link 3G/3G/HD Frame Sync/Gearbox Application

OPTIONAL LICENSE:

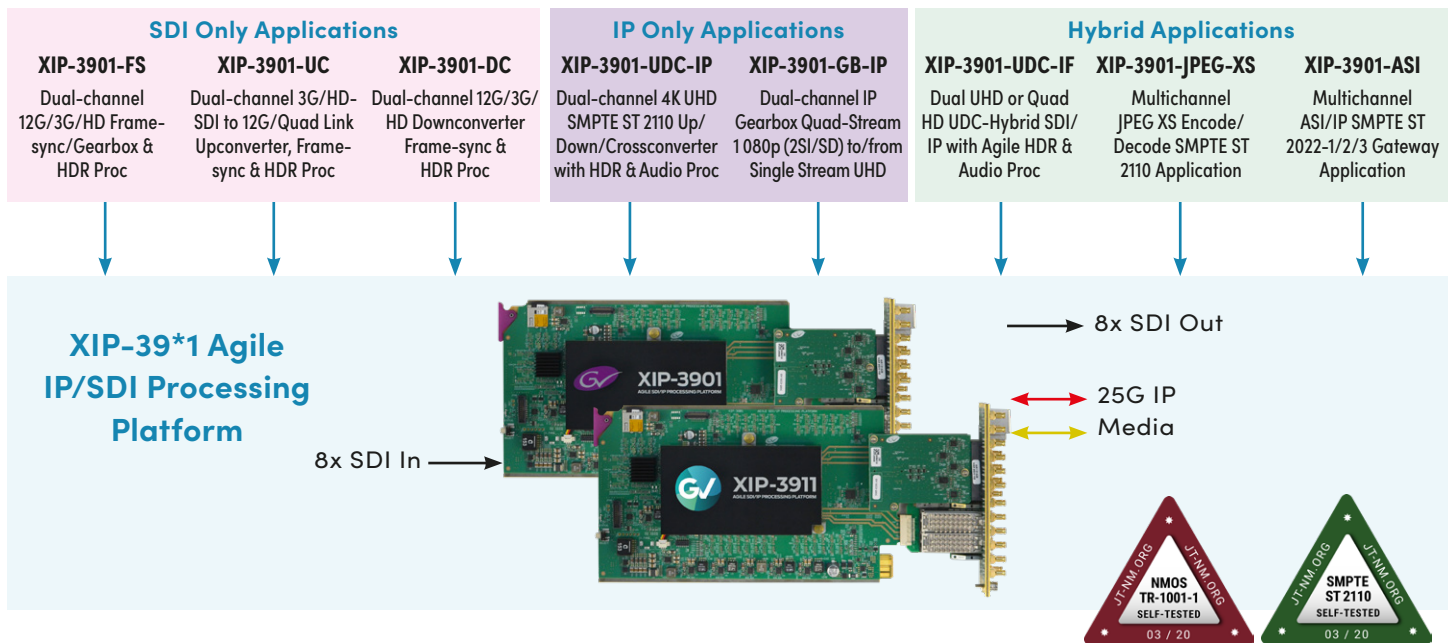
■ XIP-3901-UDC-HDR

XIP Application Portfolio

All the processing applications delivered on the XIP-3911 and XIP-3901 platforms allow live productions, either from trucks, venues, stadiums or broadcast facilities to make the most of new UHD and HDR formats. Packing lots of audio/video processing power in a small form factor results in savings in terms of space, power and weight.

The XIP-3911 Agile Processing Platform also provides long-term value by protecting a customer's CAPEX investment in current HD and UHD SDI and now IP infrastructure. The application-based licensing model adapts the XIP-3911 to new workflows with different software applications resulting in a truly virtualized hardware environment.

XIP Application Agility Evolution



This product may be protected by one or more patents. For further information, please visit: www.grassvalley.com/patents

DS-PUB-3-0949A-EN

Grass Valley®, GV® and the Grass Valley logo are trademarks or registered trademarks of Grass Valley USA, LLC, or its affiliated companies in the United States and other jurisdictions. Grass Valley products listed above are trademarks or registered trademarks of Grass Valley USA, LLC or its affiliated companies, and other parties may also have trademark rights in other terms used herein. Copyright © 2020-2022 Grass Valley Canada. All rights reserved. Specifications subject to change without notice.

www.grassvalley.com Join the Conversation at GrassValleyLive on [Facebook](#), [Twitter](#), [YouTube](#) and Grass Valley on [LinkedIn](#)