

# IQASI25

## ASI Transport Stream Switch and Distribution Amplifier

ASI transport stream distribution amplifier with added emergency switchover support on TS Sync and PAT loss.

The IQASI25 from Grass Valley is a cost-effective ASI-switched distribution amplifier that continuously monitors two MPEG-2 DVB ASI transport streams (TS) and routes the preferred input to the five identical outputs. It monitors various critical parameters within the transport stream and their status will effect switching and alarms. It is compliant to the ETSI TR 101290 specification for Digital Video Broadcasting and supports both DVB and ATSC transport streams in Packet, Byte & Burst modes. Automatic operation is configurable by the user and the switch may also be externally controlled via remote control software, hardware panel or external GPIs.

### Why should you choose this module?

- Cost-effective ASI-switched distribution amplifier able to automatically switch on critical error detection
- Flexible automatic or manual control for application-specific scenarios
- Full GV Orbit compatibility provides an all-inclusive remote configuration, control and monitoring solution
- Comprehensive SNMP support allows easy integration with third-party Network Management Systems

### KEY FEATURES

---

- Monitors two ASI inputs for loss of carrier signal, loss of transport stream sync and loss of PAT with automatic input switching on error
- Designed to minimize switching and prevent unnecessary disruption of the transport stream
- Remains on an input until that input fails. If the alternate input has also failed, no switch occurs
- If both inputs return to a good state, the switch remains static on the selected input
- Manual switch to force the module to Input 1 or 2
- Two configurable GPIO ports (two in or two out or one of each)
- LED indicators to show if input 1 is absent, input 2 is absent and if outputs are derived from input 1 or input 2
- GV Orbit control and monitoring compatible

**SPECIFICATIONS**

**Inputs and Outputs**

**Signal Inputs**

ASI 1: ASI (270 Mb/s)  
 ASI 2: ASI (270 Mb/s)  
 Standards: DVB-ASI, EN50083-9  
 Electrical: Transformer coupled 75R 800 mVp-p  
 Input cable length: 100m (Image 1000HD)

**Signal Outputs**

Serial data: 5 ASI (270 Mb/s)

**Control Interface**

GPI: 2 (shared connector)  
 Connector/format: Standard Grass Valley screw terminal  
 GPI: Opto input 2.2 kΩ to +5V, (1.6 mA to ground)  
 GPO: Relay rated 1A @ 30V DC switching to ground

**Indicators**

Power: OK (Green)  
 CPU: OK (Green flashing)  
 Input Status:  
     OK (Green)  
     Fail (Red)  
 Auto: Green Lit = selected  
 Output source 1: Yellow Lit = selected  
 Output source 2: Yellow Lit = selected

**Remote Control Features**

Status: Input and output alarm statuses  
 Input:  
     Input select: Auto, forced our GPI based  
 GPIO: GPIO configuration  
 User memories: 16 user configurable

**Logging:**

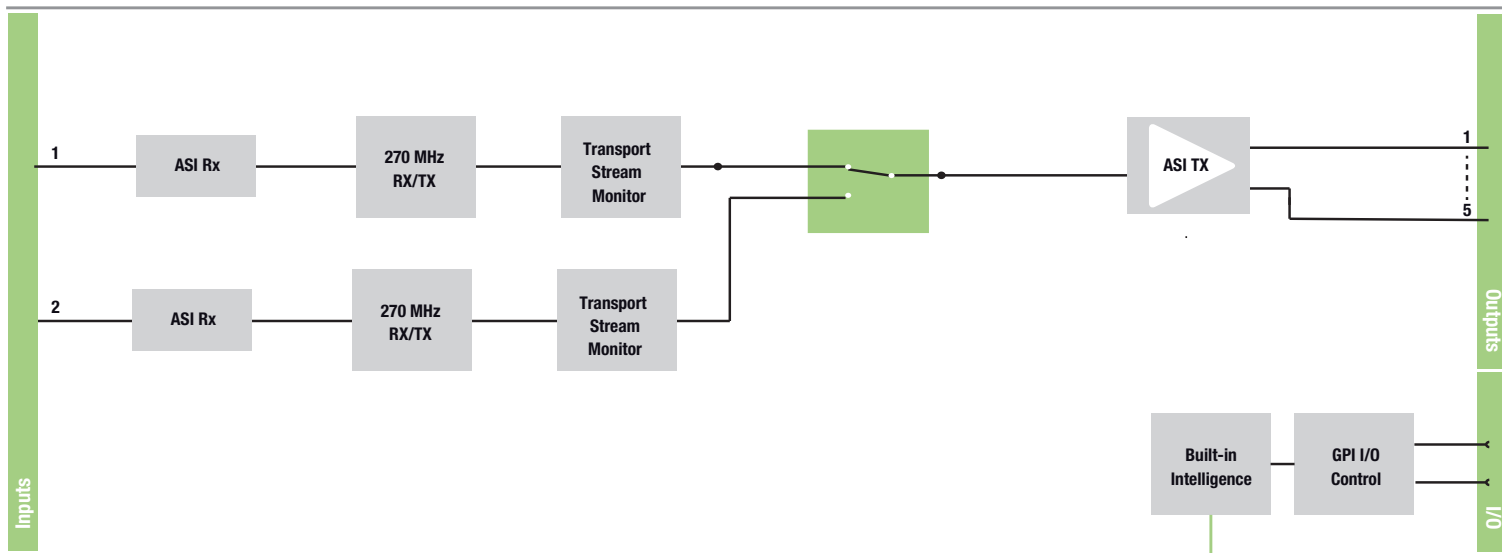
Input Status  
 Input Alarms  
 Output Status  
 Misc  
 RollTrack Controls: On/off, Index, Source, Address, Command, Status, Sending  
 Setup: Versions, reset defaults, restart

**General Specifications**

Electrical: ASI transport stream  
 Connector/format:  
     BNC  
     Standard Grass Valley screw terminal

**Power Consumption**

Module power consumption:  
 4.5W max (A frames)  
 4.5 PR (B frames)

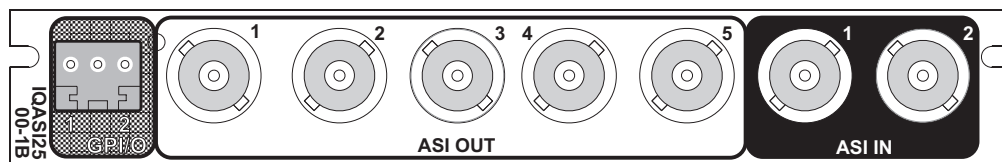


Block Diagram for IQASI2500-1B

**ORDERING**

**IQASI2500-1B**

ASI Transport Stream Switch & Distribution Amplifier. 2 ASI inputs, 5 ASI outputs, 2 GPI/Os.  
 For more details on enclosure types please refer to the IQ Modular Enclosures datasheet.



WWW.GRASSVALLEY.COM

Join the Conversation at **GrassValleyLive** on Facebook, Twitter, YouTube and **Grass Valley** on LinkedIn.



www.grassvalley.com/blog

This product may be protected by one or more patents. For further information, please visit: [www.grassvalley.com/patents](http://www.grassvalley.com/patents).

Grass Valley®, GV® and the Grass Valley logo are trademarks or registered trademarks of Grass Valley USA, LLC, or its affiliated companies in the United States and other jurisdictions. Grass Valley products listed above are trademarks or registered trademarks of Grass Valley USA, LLC or its affiliated companies, and other parties may also have trademark rights in other terms used herein.

Copyright © 2019, 2021 Grass Valley Canada. All rights reserved. Specifications subject to change without notice.