

IQASI82

Dual ASI Transport Stream Monitor and Switch

An advanced ASI transport stream analyzer with built-in emergency switching support based on user-defined criticality of alarms.

The IQASI82 from Grass Valley monitors two ASI streams simultaneously for errors, automatically switching from main and backup inputs depending on error criteria. Alarm management flexibility is provided by user-defined criticality of alarms — from transport stream loss to PID monitoring and basic ETSI TR 101290 alarms.

External GPI I/O, RS-232 and relay ports can also control functionality, allowing upstream triggering and or automated control via a third-party system.

The IQASI82 can be used in conjunction with the RollCall network management system for advanced alarm monitoring and control.

Why should you choose this module?

- Each ASI transport stream is independently monitored with MPEG-2, DVB and ATSC standards supported
- Near-seamless switching minimizes disruption to the output stream by maintaining transport stream synchronization when switching between sources
- Programmable TR101290 monitoring to match each transmission system specification
- 12 configurable GPI ports (4 inputs, 8 outputs), 2 relays and RS-232 control provide flexible external interfacing options
- Full RollCall and SNMP compatibility allows easy integration with Grass Valley or third-party network management systems providing an all-inclusive monitoring and control solution

KEY FEATURES

- Simultaneously monitors two MPEG-2 DVB ASI Transport Streams (TS)
- Compliant with ETSI TR101290 specification and ATSC TS streams packet, burst and byte modes
- Multiple switching methods, including near-seamless (between co-timed identical streams) and non-seamless switching, manual or automatic
- Transport stream monitoring and user selectable alarms, including:
 - Catastrophic failures such as no transport stream, loss of synchronization or low signal level
 - User-defined maximum and minimum data rates for each transport stream
 - Monitoring PIDs from a customer-specified list up to a maximum of 64 (32 per input)
- Alarm monitoring and logging via RollCall interface or SNMP
- Relay bypass for signal path protection
- RollCall control and monitoring compatible

SPECIFICATIONS

Inputs and Outputs

Signal Inputs

ASI 1: ASI (270 Mb/s)
 ASI 2: ASI (270 Mb/s)
 Standards: DVB-ASI, EN50083-9
 Electrical: Transformer coupled 75R 800 mVp-p

Signal Outputs

Serial data: 4 ASI (270 Mb/s)

Control Interface

GPI: 4
 Electrical: Opto-isolated with an internal 5V pull-up through 470R, active low 8 mA
 Connector/format: Standard Grass Valley screw terminal
 GPO: 8
 Electrical: Darlington driver with 0V common, max sink current 500 mA switching up to 50V
 Connector/format: Standard Grass Valley screw terminal

Indicators

Power: OK (Green)
 CPU: OK (Green flashing)
 Input Status:
 OK (Green)
 Fail (Red)
 Remote: Green Lit = selected
 Local: Red Lit = selected
 Output source: Yellow Lit = selected

RollCall Features

Status: Input and output alarm statuses
 Primary: Config ASI switch configuration
 PID List: PID management
 Alarm outputs: Enable/disable
 User memories: None

Logging:

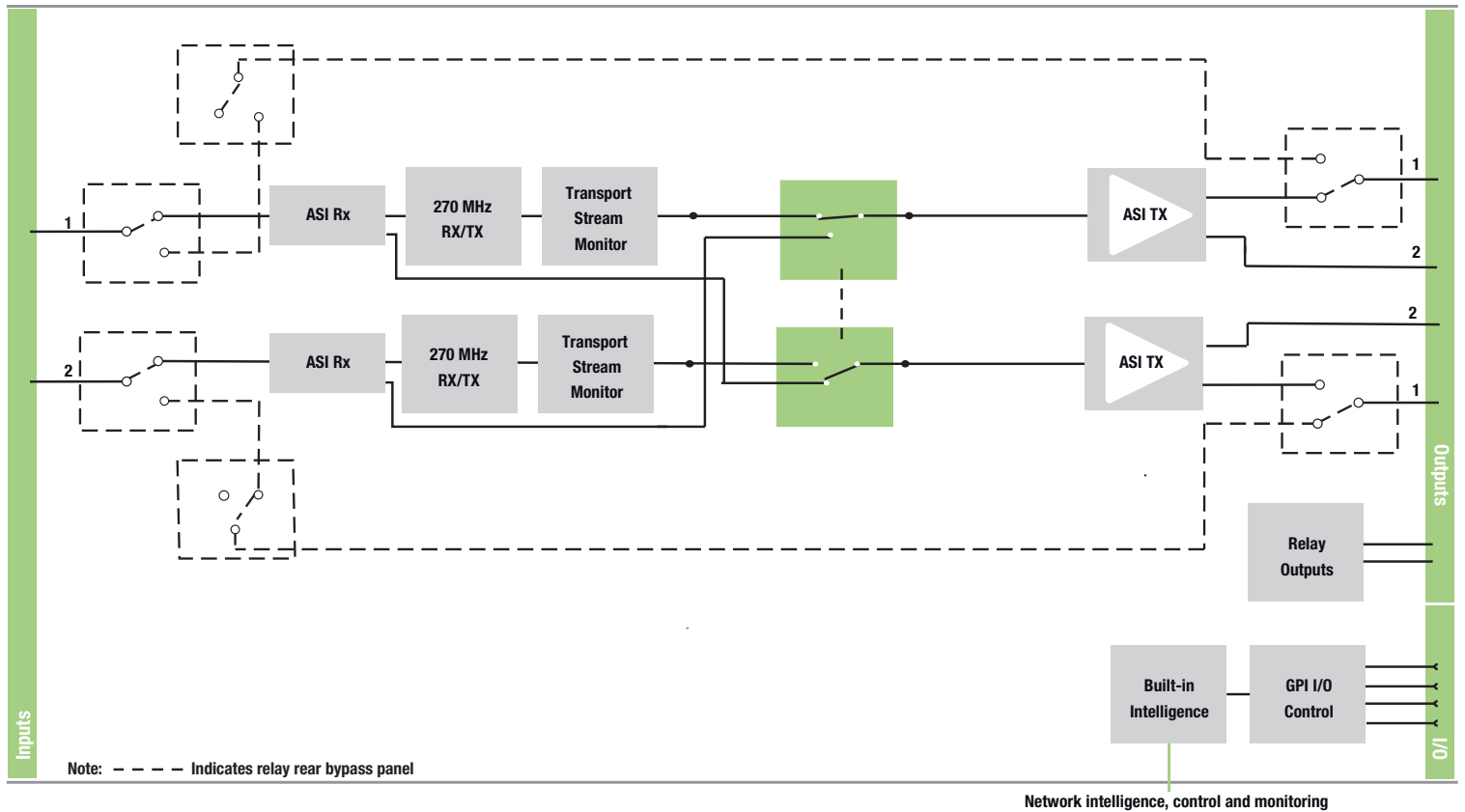
Input Status
 Input Alarms
 Output Alarms
 Output Status
 Misc
 RollTrack Controls: On/off, Index, Source, Address, Command, Status, Sending
 Setup: Versions, reset defaults, restart

General Specifications

Electrical ASI transport stream
 Connector/format:
 BNC
 Standard Grass Valley screw terminal

Power Consumption

Module power consumption:
 6.5W max (A frames)
 6.5 PR (B frames)



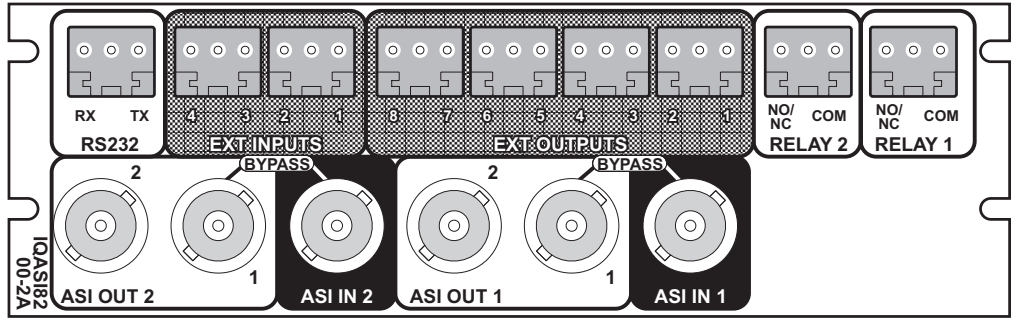
Block Diagram for IQASI8200-2A

ORDERING

IQASI8200-2A, IQASI8200-2B

ASI Transport Stream Monitor and Switch. 2 ASI inputs, 4 ASI outputs, 12 GPIs, RS-232 port, and 2 relay ports.

For more details on enclosure types please refer to the IQ Modular Enclosures datasheet.



GVB-2-0839A-EN-DS



WWW.GRASSVALLEY.COM

Join the Conversation at **GrassValleyLive** on Facebook, Twitter, YouTube and **Grass Valley - A Belden Brand** on LinkedIn.



www.grassvalley.com/blog

This product may be protected by one or more patents. For further information, please visit: www.grassvalley.com/patents.

Belden®, Belden Sending All The Right Signals®, the Belden logo, Grass Valley®, GV® and the Grass Valley logo are trademarks or registered trademarks of Belden Inc. or its affiliated companies in the United States and other jurisdictions. Grass Valley products listed above are trademarks or registered trademarks of Belden Inc., GVBB Holdings S.A.R.L. or Grass Valley Canada. Belden Inc., GVBB Holdings S.A.R.L., Grass Valley Canada and other parties may also have trademark rights in other terms used herein.

Copyright © 2019 Grass Valley Canada. All rights reserved. Specifications subject to change without notice.