

IQORX80

3G/HD/SD-SDI Multichannel Fiber Receiver

Multichannel single-mode fiber optic receiver for long distance applications.

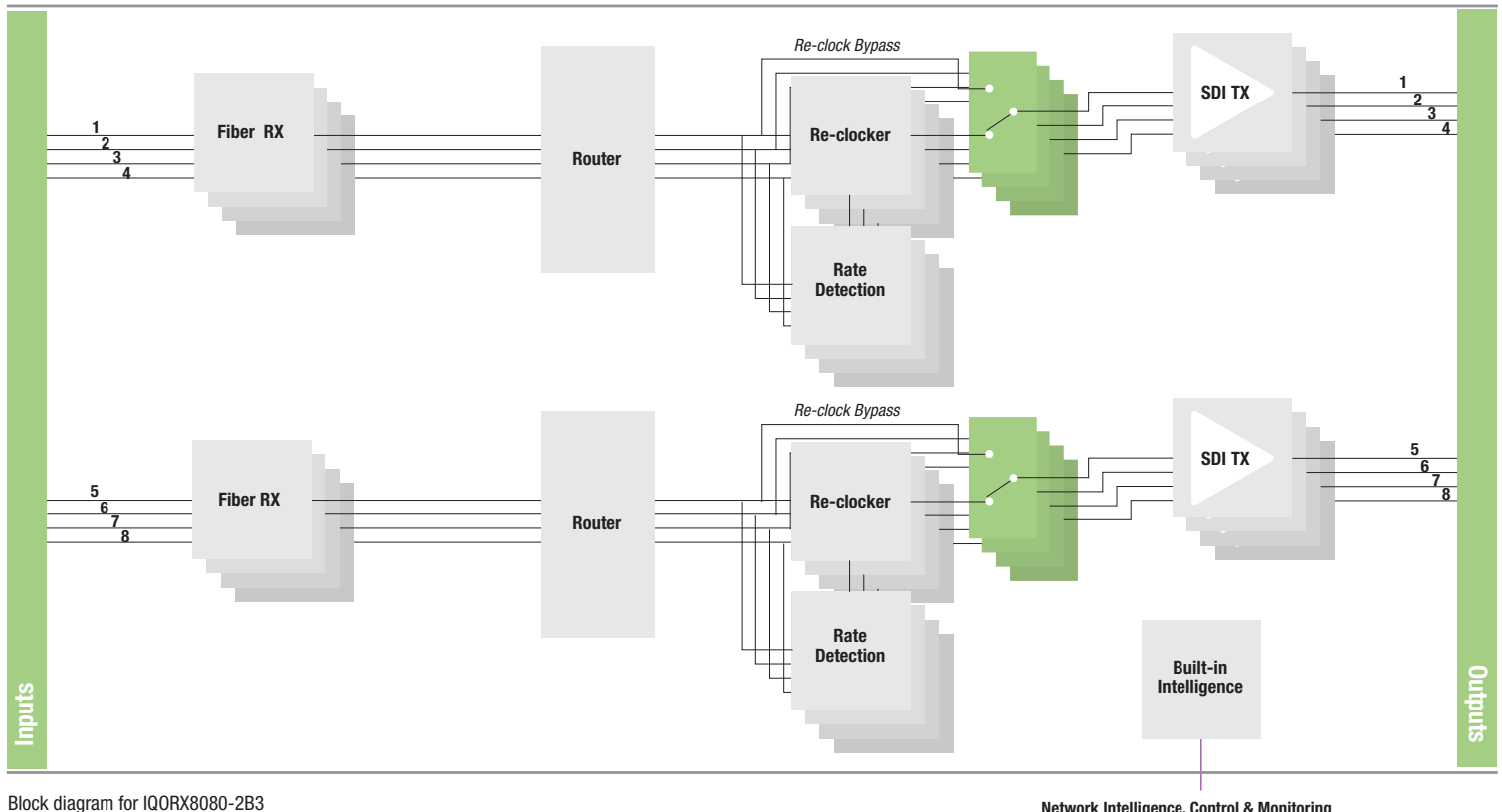
The IQORX80 from Grass Valley converts eight single-mode fiber optic signals to 3G/HD/SD-SDI signals. The unit is available in single- or dual-width versions with either HDBNC or BNC connectors with a wideband receiver suitable for CWDM applications.

Why should you choose this module?

- Suitable for transporting 3G/HD-SDI signals over long distances either within the facility or between sites
- Lower weight and higher density compared with copper cables
- Full RollCall and SNMP compatibility allows easy integration with Grass Valley or third-party network management systems, providing an all-inclusive monitoring and control solution

KEY FEATURES

- Multichannel single-mode fiber optic receiver for 3G/HD/SD-SDI signals
- Input wavelengths from 1260 nm to 1620 nm suitable for CWDM applications



Block diagram for IQORX8080-2B3

Network Intelligence, Control & Monitoring

SPECIFICATIONS

Inputs and Outputs

Fiber Signal Input

Inputs: Up to 8

Optical: 3 Gb/s HD-SDI, 1.485 Gb/s HD-SDI or 270 Mb/s SD-SDI

Connector/format: LC single-mode

Conforms to:

- SMPTE ST 297-2006
- SMPTE ST 424 (HD level A/B)
- SMPTE ST 292 (HD)
- SMPTE ST 259-C (SD)

Signal Outputs

SDI outputs: 8x

Controls

Indicators

Power: OK (Green)

CPU: OK (Green flashing)

Input 1-8: 3G-OK (Blue), HD-OK (Green), SD-OK (Yellow), Bypass (Rate color flashing), Loss (Red)

Video Controls

Input 1 - 8 rate select: 3G, HD, SD, other

Reclock bypass: On/Off

Output 1-4 select: Input 1-4

Output 5-8 select: Input 5-8

Output mute: On/Off

Output mute on I/P error: On/Off

Input 1-4 configuration: 1, 2

Input 5-8 configuration: 1, 2

Configuration rules:

- Primary Input OK
- Primary Input Error
- Secondary Input Error

Mode:

Use Config 1

Use Config 2

Use Rules

Delay for rules actions:

OK Timer 0-5s

Error Timer 0-5s

Input status: Present, Loss, Unknown, Data Rate

Logging:

Input 1-8 Identifier

Input 1-8 Name

Input 1-8 Type

Input 1-8 Data Rate

Input 1-8 Present

Input 1-8 Error

Input 1-8 Loss

Optical logging:

Input 1-8 Rx Power High Warning

Input 1-8 Rx Power Low Warning

Input 1-8 Rx Power Measurement

Input SFP 1-8 State

RollTrack controls: On/Off, Index, Source, Address, Command, Status, Sending

RollTrack sources:

Unused

Input 1-8 Present

Input 1-8 Rate Unknown

Input 1-8 Error

Input 1-8 Loss

Input 1-8 3G

Input 1-8 HD

Input 1-8 SD

Input 1-8 Rx Power High Warning

Input 1-8 Rx Power Low Warning

Other Controls

User memories: Name, save and recall 16 user memories

General Specifications

Electrical:

3 Gb/s SDI, SMPTE ST 424

1.5 Gb/s HD-SDI, SMPTE ST 292

270 Mb/s SDI, SMPTE ST 259-C / DVB-ASI

Connector/format: BNC/75Ω panel jack on standard Grass Valley connector panel

Return loss:

>-15 dB (270 Mb/s, 1.5 Gb/s)

>-10 dB (3 Gb/s)

Output jitter:

SD-SDI 0.2 UI (10 Hz) / 0.2 UI (1 kHz)

3G/HD-SDI 1.0 UI (10 Hz) / 0.2 UI (100 kHz)

Optical Rx

Input wavelength range: Min. 1260 nm, Max. 1620 nm

Input sensitivity: -21 dBm

Optical power input range: > -0 dBm, < -20 dBm

Optical return loss: -27 dB

Link distance:

Up to 30 km @ 270 Mb/s

Up to 21 km @ 1.5 Gb/s

Up to 10 km @ 3 Gb/s

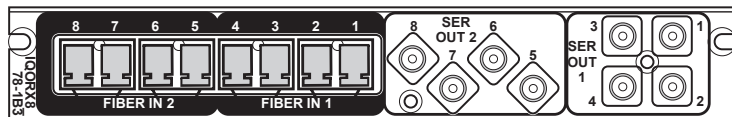
Power Consumption

Module power consumption: 7.5 PR (B Frames)

ORDERING

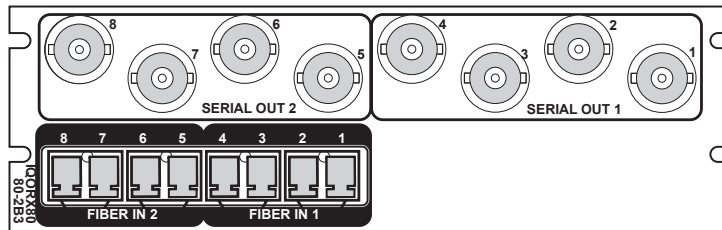
IQORX8079-1B3

3G/HD/SD-SDI multichannel fiber receiver. 8x optical inputs, 8x 3G/HD/SD-SDI outputs (HD-BNC).



IQORX8080-2B3

3G/HD/SD-SDI multichannel fiber receiver. 8x optical inputs, 8x 3G/HD/SD-SDI outputs (BNC).



For more details on enclosure types please refer to the IQ Modular Enclosures datasheet.

GVB-2-0732A-EN-DS



WWW.GRASSVALLEY.COM

Join the Conversation at [GrassValleyLive](#) on Facebook, Twitter, YouTube and [Grass Valley - A Belden Brand](#) on LinkedIn.



www.grassvalley.com/blog

This product may be protected by one or more patents. For further information, please visit: www.grassvalley.com/patents.

Belden®, Belden Sending All The Right Signals®, the Belden logo, Grass Valley®, GV® and the Grass Valley logo are trademarks or registered trademarks of Belden Inc. or its affiliated companies in the United States and other jurisdictions. Grass Valley products listed above are trademarks or registered trademarks of Belden Inc., GVBB Holdings S.A.R.L. or Grass Valley Canada. Belden Inc., GVBB Holdings S.A.R.L., Grass Valley Canada and other parties may also have trademark rights in other terms used herein.

Copyright © 2019 Grass Valley Canada. All rights reserved. Specifications subject to change without notice.