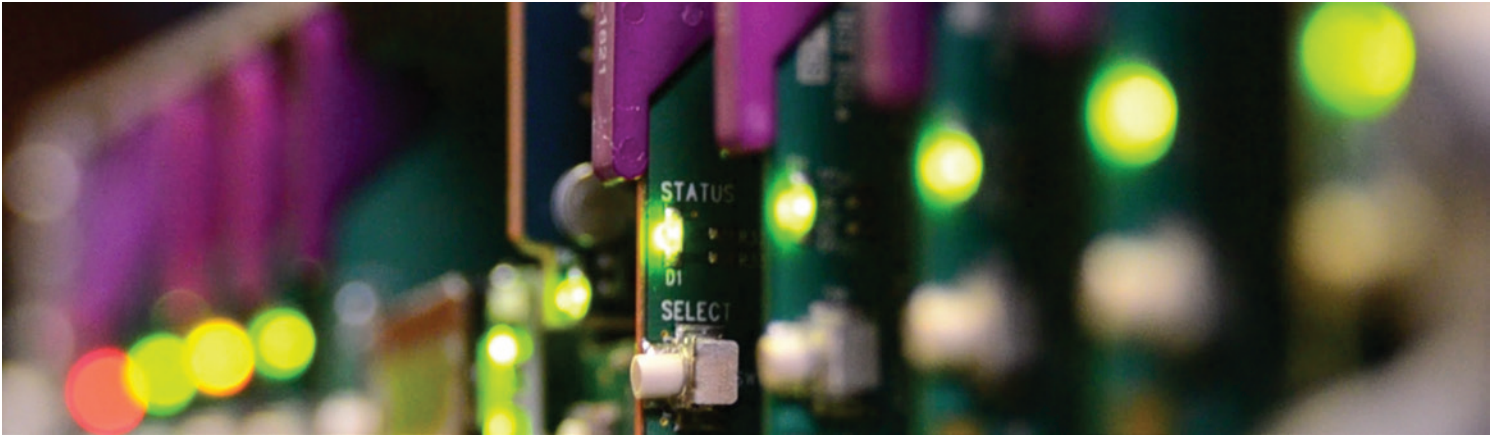


REF-1801

Reference Module with Optional Sync Pulse Generator



Space-saving, modular platform for advanced signal processing.

The REF-1801 from Grass Valley, a Belden Brand, is a reference module that distributes a universal reference signal (URS) to all the cards within a Densité frame. It can also optionally generate two selectable reference signals for external use.

The unique URS concept provides significant advantages as it generates a digital reference signal, and also simplifies interformat processing by using a unique reference signal for all video and audio frame rates.

The REF-1801 has the ability to extract timecode from the input as per SMPTE-318M, which allows for perfect audio/video phasing. Other features include the ability to slave Densité frames, as well as advancing or delaying independently the two reference output signals.



REF-1801 Reference Module with Optional Sync Pulse Generator

KEY FEATURES

- Digitally generated reference for intraframe distribution
- Timecode extraction and embedding
- Supports SMPTE-318M for perfect audio/video phasing
- Easy control and monitoring
- URS simplifies interformat processing

Two fully independent sync outputs

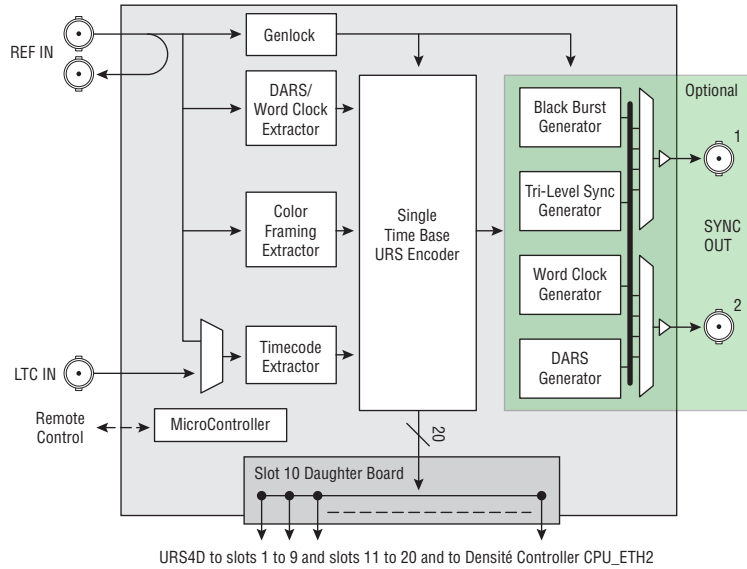
- Audio or video
- Selectable format
- Support for blackburst, tri-level sync, DARS, Word Clock
- Timing adjustment: up to 1 frame, pixel by pixel



All modules identified with this logo are compliant with the REF-1801 Reference Module



REF-1801-SRP



REF-1801 Functional Block Diagram

The REF-1801 has to be installed in slot 10 of the Densité 2 / Densité 3 frame.

SPECIFICATIONS

Reference Input

Load: Passive loop-through
Impedance: 75Ω bridging
Return loss: >30 dB up to 30 MHz
Signal type: Composite NTSC-M, PAL-B blackburst with optional VTC
Standard: SMPTE-170M, ITU-R BT.1700-1, SMPTE-318M
Signal level: 1 Vp-p
Signal type: HD tri-level sync

Standard: SMPTE-274M, SMPTE-296M
Signal level: 600 mVp-p
Signal type: DARS AES-3id
Standard: SMPTE-276M
Signal level: 1 Vp-p
Signal type: Word Clock
Standard: AES11-2003
Signal level: 2.3 Vp-p

LTC-IN

Signal type: LTC
Standard: SMPTE-12M
Signal level: 0.5 Vp-p to 4.5 Vp-p

Analog Reference Output

Signal type: Composite NTSC-M, PAL-B with optional VTC
Standard: SMPTE-170M, ITU-R BT.1700-1, SMPTE-318M
Signal level: 1 Vp-p
Signal type: HD tri-level sync

Standard: SMPTE-274M, SMPTE-296M
Signal level: 600 mVp-p
Signal type: DARS AES-3id
Standard: SMPTE-276M
Signal level: 1 Vp-p
Signal type: Word Clock
Standard: AES11-2003
Signal level: 2.3 Vp-p

Electrical
Power: 3.5W

ORDERING

Densité 2 Frame
 REF-1801
 REF-1801-SRP

Densité 3 Frame
 REF-1801-3RU
 REF-1801-SRP-3RU

Description
 Reference module for Densité frame
 Single rear connector panel

Options
 REF-1801-OPT-SPG

Related Products

Remote Control

Description
 SPG option for REF-1801
 SPG-1801
 iControl, iControl Solo, RCP-200



WWW.GRASSVALLEY.COM

Join the Conversation at **GrassValleyLive** on Facebook, Twitter, YouTube and **Grass Valley - A Belden Brand** on LinkedIn.



Belden, Belden Sending All The Right Signals and the Belden logo are trademarks or registered trademarks of Belden Inc. or its affiliated companies in the United States and other jurisdictions. Grass Valley, Densité and iControl are trademarks or registered trademarks of Grass Valley, Belden Inc., Grass Valley and other parties may also have trademark rights in other terms used herein.

Copyright © 2014 Grass Valley. All rights reserved. Specifications subject to change without notice.

GVB-1-0441A-EN-DS