

# IQADA01

## Analog Audio Distribution Amplifier - 2 x 7 Outputs

The IQADA01 provides dual analog inputs with up to seven outputs per input, or a single analog input with up to 14 outputs.

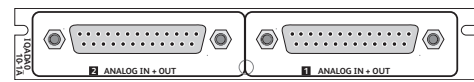
### Features

- Configurable for 1 input to 14 outputs, or 2 inputs to 7 outputs per input
- Very low THD+N
- Output gain remotely adjustable from +24 dB to -24 dB with fine control
- +24 dBu headroom

### Why should you choose this module?

- Ideal stereo distribution amplifier for large analog audio applications
- Maintenance of audio quality ensured by very low THD+N and 24 dBu input headroom
- Up to 14 balanced transformerless outputs

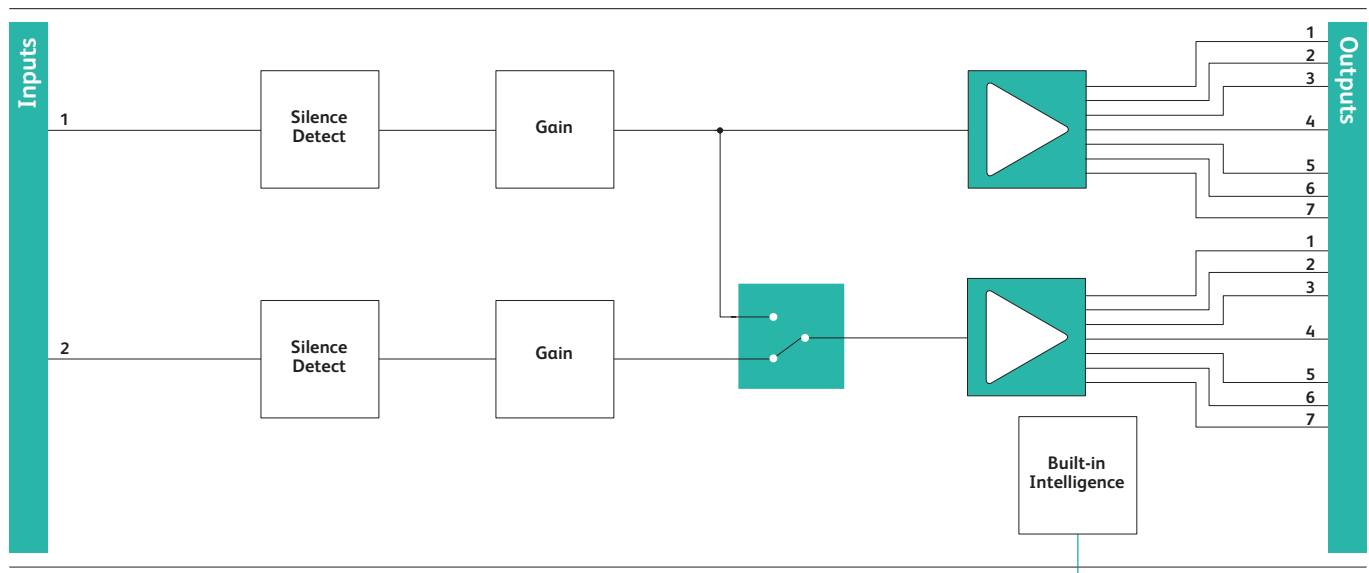
### Order codes



#### IQADA0110-1A

Single/Dual Channel Analog DA. Balanced D-type Audio Connections. Configurable for 1 input to 14 outputs or 2 inputs to 7 outputs per input.

For more details on enclosure types please refer to Frames and Hardware section.



Block Diagram for IQADA0110-1A

### Technical Specification

#### Inputs and Outputs

##### Signal Inputs

Analog 2 channels balanced via 25 way Dtype connector

##### Signal Outputs

Analog 7 per input channel balanced via 25 way D-type connector  
 Note: Configurable for 1 input to 14 output operation

#### Card Edge and RollCall Controls

##### Indicators

Power up or CPU fault	Good = Off/Fault = Red
CPU running but input 1 not detected (both inputs or primary input when in single channel mode)	Input detected = Off/Not Detected = Yellow
CPU running but input 2 not detected (both inputs or primary input when in single channel mode)	Input detected = Off/Not detected = Yellow
Normal operation with input detected (either input or primary input when in single channel mode)	Input not detected = Off/Input detected = Green

##### Controls

Mode	Single, Dual channel
Fine gain adjustment	±0.5 dB additional to the coarse gain level, separately adjustable for each input

#### Functions Available via RollCall

Gain (separate L and R)	+24 dB to -24 dB in 0.5 dB steps
Silence detect	Level adjustable, - 15 to -25 dBu in 1 dB steps
Warning timer	1 to 60s (for silence detection)

#### Reporting (\* also Logged)

Silence detected	*Silence Detected (L and R)
RollTrack controls	On/Off, Index, Source, Address, Command, Status, Sending
RollTrack	Unused Input 1 Present Input 1 Silent Input 2 Present Input 2 Silent

#### Specifications

##### Analog input/output level

Headroom set to: +24 dBu (17.5 V pk to pk) Gain at Unity

##### Analog input Impedance

10 k Ohms (600 Ohm Option)

##### analog output Impedance

Balanced <50 ohms

##### Total harmonic distortion + noise

<-94 dBu (0.002%) at 700 Hz, 24 dBu input and 0 dB gain

##### Gain accuracy

<±0.2 dB @ 0 dB

##### gain error (channel 1 to channel 2)

<±0.2 dB @ 0 dB

##### Common mode rejection

<-70 dB (20 Hz to 20 kHz)

##### Frequency response

±0.1 dB(20 Hz to 20 kHz with reference to 1 kHz)

##### Channel 1 to 2 cross talk

<-110 dB at 1 kHz

##### Headroom (in and out)

24 dBu (Note: a maximum of 3 outputs can be driven at 24 dBu when using 600 Ohm terminations)

#### Power Consumption

##### Module power consumption

6.5 W Max (A Frames)  
 4.5 PR (B Frames)