

IQSRT00

HD/SD-SDI 5 x 2 Router

The IQSRT00 is a five input router/switcher for HD-SDI 1.5 Gbit/s, SD-SDI/DVB-ASI 270 Mbit/s and wide-band signals. This module provides a mixed HD/SD solution and includes both a bonus input and a bonus output when compared with the common 4 x 1 specification. Dual outputs and using just one slot in a 3RU enclosure mean that very powerful routing solutions can be built in a very compact space. Ideal as a comprehensive local HD/SD router, a range of RPAN control panels are available for easy construction of comprehensive control environments.

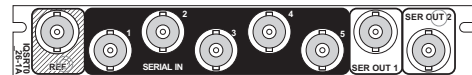
Features

- HD/SD-SDI router with SMPTE RP168 switching when timed to an external reference
- Standards supported:
 - HD-SDI to SMPTE292M
 - SD-SDI to SMPTE259M-C
 - DVB-ASI
- Choice of SD bi-level or HD tri-level reference switching
- Can be used to select between inputs of different standards
- Handles HD-SDI or SD-SDI/ASI sources with re-clocking
- Handles other wide-band signals without re-clocking
- Comprehensive button per cross-point, or multi-destination control from RPAN router control panel
- Optional RS-422 control with separate IQSPI00 module

Why should you choose this module?

- Very high density HD/SD-SDI routing, with over 53 cross-points per rack unit
- Second output for preview, monitoring, redundant path feeds and other purposes
- Will work with the RPAN control panels for simple network-connected routing installations
- HD and SD capable for mixed operation or to provide a future upgrade path
- Can be combined with other IQ Modular routers for mixed-format multi-level routing
- Can be used with HD and SD inputs simultaneously, with one output feeding HD and the other SD, ideal for wrapping around up and down converters

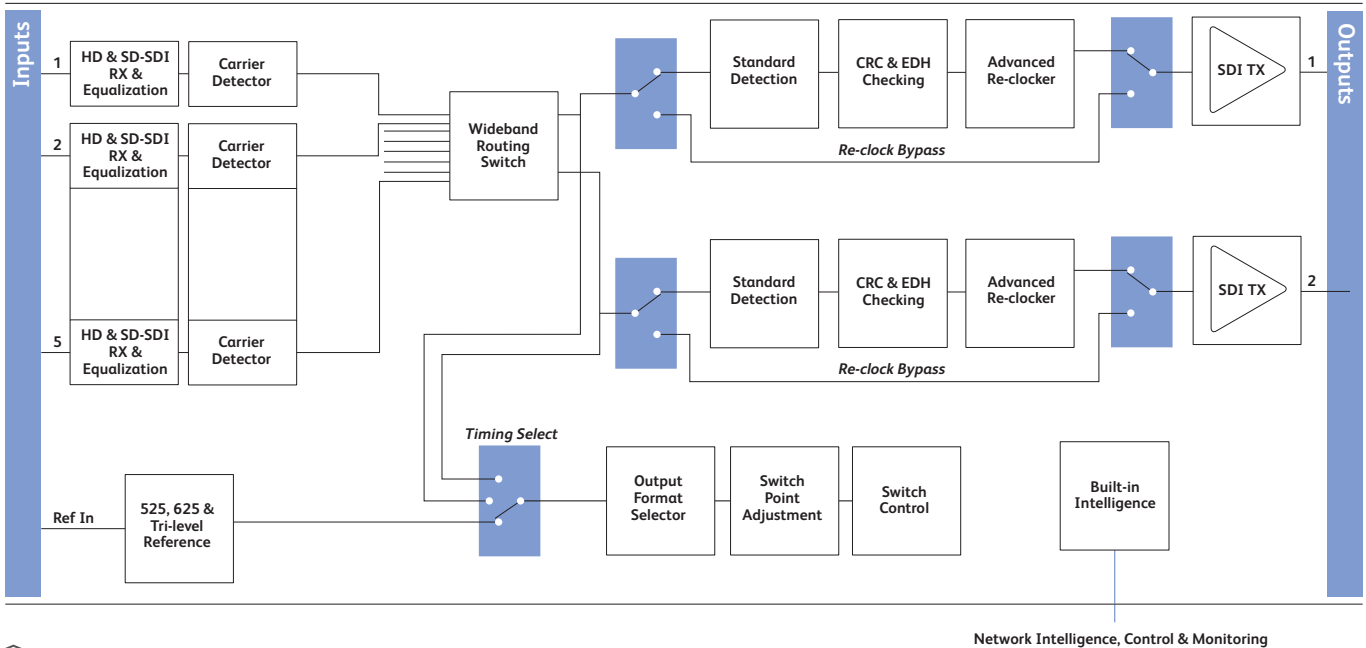
Order codes



IQSRT0026-1A

HD/SD-SDI 5 x 2 Router. 2 HD/SD-SDI outputs.

For more details on enclosure types please refer to Frames and Hardware section.



Block Diagram for IQSRT0026-1A

Technical Specification

Inputs and Outputs

Signal Input

Inputs	5 x Serial Digital Input(s)
Electrical	1.5Gbit/s HD-SDI, SMPTE 292M 270 Mbit/s SDI, SMPTE 259M-C/DVB-ASI
Input cable length	Up to 140m Belden 1694A @ 1.5 Gbit/s Up to 350m Belden 1694A @ 270 Mbit/s
Analog reference	1 x Analog Reference to SMPTE240/ 274M and RS170A
Connector / format	BNC/ 75ohm panel jack on standard SAM connector panel
Return loss	>-15dB

Signal Outputs

Outputs	2 x Serial Digital Outputs
Electrical	1.5Gbit/s HD-SDI, SMPTE 292M 270 Mbit/s SDI, SMPTE 259M-C/DVB-ASI
Connector / format	BNC/ 75ohm panel jack on standard SAM connector panel
Return loss	>-15dB

Controls

Indicators

Power	OK
CPU	OK
Status	OK (Green), Warning (Yellow), Error (Red)

RollCall Features

Router control	Switching control of input to output channels
Router configuration	Displays current router channel allocation

Channel renaming
User memories
Logging

RollTrack controls

RollTrack outputs

Specifications

Inputs

Reference source	External – HD Tri-Level / SD Bi-level / Output Video syncs
------------------	--

Power Consumption

Module power consumption	9W Max (A Frames) 8.5 PR (B Frames)
--------------------------	-------------------------------------

Labelling of all input and output channels
16 x Save / Recall / Rename
Input Status (1-5)
CRC/EDH Error
Input Standard
Ref Status
Output 1/2 standard
On/Off, Index, Source, Address, Command, Status, Sending
Input present - 1 to 5
Output 1 Tallies
Output 2 Tallies
Reference OK
Input Loss - 1 to 5
Unused

Network Intelligence, Control & Monitoring