

Luna — 6026KKTRC

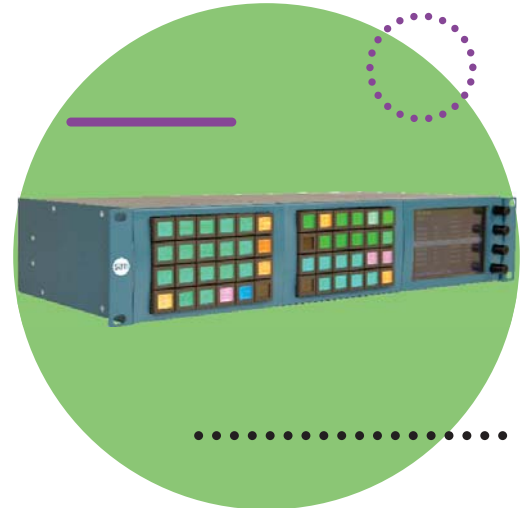
2RU LCD Screen

Control Panel

Data Sheet

The Luna LCD Screen panel has been designed to meet the exacting requirements for a hardware control panel used in simple or complex routing systems.

The panel is configured using proprietary 'RC' software launched via an applet addressed from a PC web browser.



The panel consists of three modular 'pods' (two LCD Key and one LCD display) mounted in a 2RU base unit.

- Lightweight ergonomic design
- Fast Ethernet connection to router
- Programmable key allocation
- Programmable key color backlights
- Independent Source & Destination key layouts
- 'Smart Search' system for ultra fast signal selection
- Separate Source & Destination Numerical keypads
- High resolution color LCD display
- 4 Rotary encoder switches for scrolling & selection
- Integral autosensing mains power supply with IEC inlet

'RC' panels are independently configured over an IP network. A configuration file can be stored and copied to other panels (of the same type) or indeed loaded to a new panel when exchanging a faulty unit.

The 6026KKTRC 2RU control panel combines traditional LCD pushbutton keys with an LCD display panel to provide the optimum user experience. The LCD pushbuttons not only have programmable legend capability, but provide excellent tactile and visible feedback when making selections. The LCD panel greatly enhances readability of information and is particularly suited, for example, to the display of long character source and destination names.

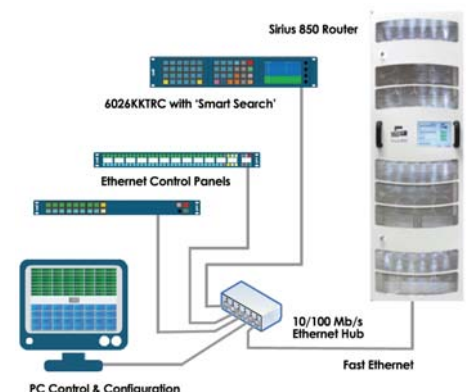


48 LCD Keys + 4 Rotary Encoder Switches



Luna 2RU Touchscreen

The panel uses a proprietary system called 'Smart Search' to enable fast recall of the required signals which is especially useful for large routers or in large routing systems. Source and destinations are named in the router database using a logical format with each name made up from sets of identifiable character strings. The LCD pushbuttons are each programmed to search for a single character set when pressed. Pressing multiple LCD search keys filters the list of sources (SRCs) or destinations (DSTs) displayed in the LCD panel. Ultimately just a single or small number of SRCs or DSTs remain in the list and the 'target' can be selected.



Example System

Configuration via Web Browser



Configuration of the panel is implemented via a PC web browser. The panel applet will render on entering a default IP address. The panel address can be changed to your system requirements from the main configuration panel and the IP address of the router entered. Facility also exists to upgrade the panel configuration software over the internet when additional features are added. A set of intuitive menus allow you to custom build the panel layout to your specific needs. Porting of source and destination names is automatic as soon as connection is established with the router controller. These are displayed as scrolling lists in the LCD panel ready for filtering using 'Smart search'. Changes to the panel configuration can be made whilst a system is operational by reactivating the applet.

The **6026KKT-RC** control panel is compatible with Nucleus2 (246x) controllers as used in the **Sirius 800** range of routers (see example system on front page). It is also recommended panel for use with the **Vega Asymmetric** router.

Connection to a router is IP Ethernet only (either directly or via a hub) over standard CAT5/6 cabling using RJ45 connectors. The panel features an integral auto ranging mains power supply with an IEC type inlet.

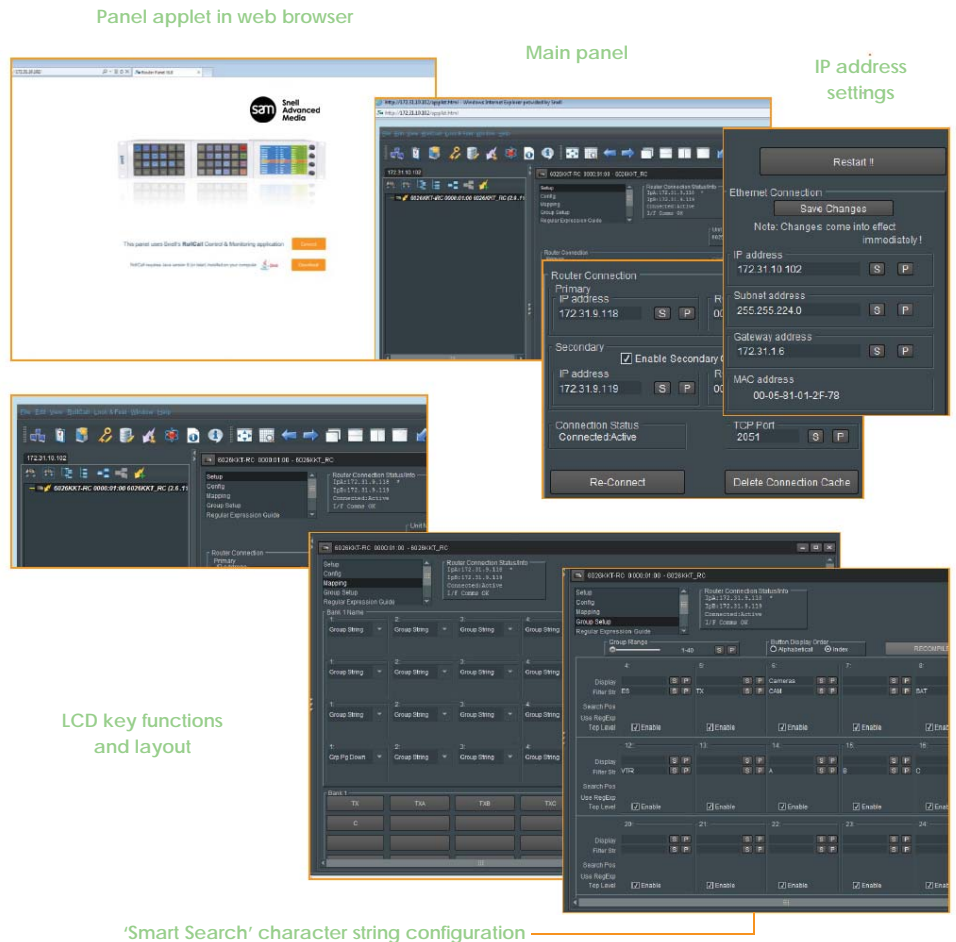
Panel applet in web browser

Main panel

IP address settings

LCD key functions and layout

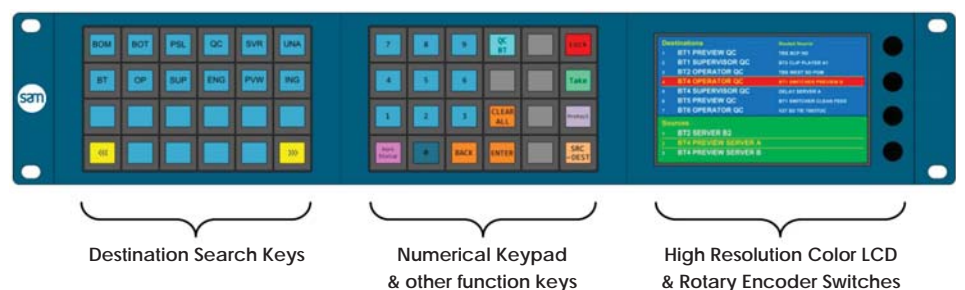
'Smart Search' character string configuration



Typical Panel Layout

The 6026KKT-RC configuration software provides 'free-form' LCD key function and positioning including background color selection for both active and inactive key status. A typical scheme is shown to the right depicting the layout for destination 'search and select'. A similar layout is rendered when the panel switches to source 'search and select' mode. The source 'character search sets' then appear in the LCD keys with an alternative color scheme (e.g. Green) along with the numerical keypad.

Shown is a panel in destination search mode.



Destination Search Keys

Numerical Keypad & other function keys

High Resolution Color LCD & Rotary Encoder Switches

More detailed operation of each of the 3 panel sections is given on the opposite page

Smart Search

The LCD Key positions and layout on the 6026KKTRC can be configured to suit the users operational preferences. Shown to the left is an example layout for 'destination search'.

In the initial state, the LCD panel/pod will display scrolling lists for all the router destinations (blue background) and sources (green background). The names are downloaded from the router controller upon connection of the panel.

In the example shown, the search keys are used to filter the destination list such that only destinations containing the character string 'QC' and 'BT' are displayed.

Destination & Source Selection

Once a reduced set of destinations has been produced by filtering the list can be further scrolled (assuming the filtered list is longer than the number that can be displayed) using the appropriate rotary encoder switch next to the LCD display. The 'target' destination is always highlighted in yellow in the centre. Pressing the rotary encoder switch will select the target destination which will then highlight in 'red' (as shown above). Alternatively the panel can be configured such that the target destination will automatically select if it is the only destination displayed from a search sequence. A similar mechanism operates with source filtering and selection.

Numerical Keypad

The numerical Keypad in the centre 'pod' can be used to search for number sequences in conjunction with the character set search keys. Alternatively, by pressing the 'Port Dialup' key the panel will resort to direct dialing of the router port numbers. In this mode the character set search keys will be blanked.

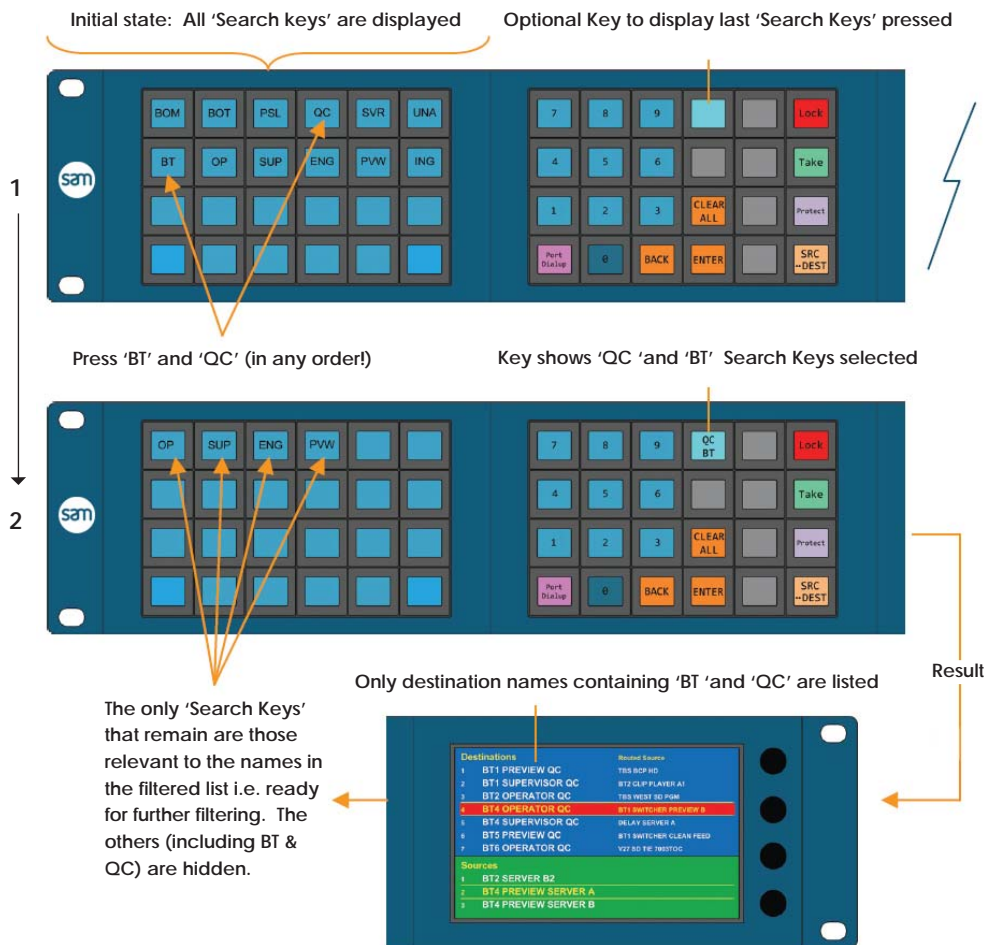
Custom Key Color and Brightness

All keys/buttons are backlit with RGB LEDs (LED & LCD panels). During configuration the color and brightness for each functional key type and state can be customized depending on user preference. Alternatively factory preset value can be selected for each key type.

Illumination of 'Blank' Keys and Text insertion on LCD types

Assigned but unused keys can remain illuminated. Key color and brightness can be customized (as above) and LCD keys may include custom text.

'Smart Search' - Destination select example



Note that the name in a 'Search Key' can be different from (or an abbreviated version of) the character set that is being filtered. For example OP = Operator, SUP = Supervisor etc.

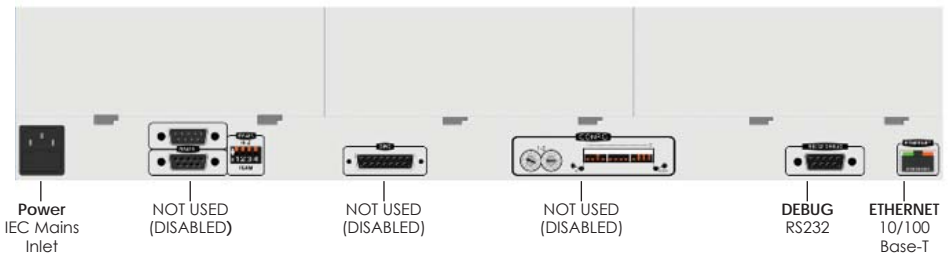
Each key name and associated filter name are programmed during configuration.

Ordering Information

6026KKTC SB
2RU 48-Key LCD with LCD Screen

IMPORTANT: The preferred panel color is SAM Blue (SB). White (WH) versions are non stocked items and available on 'Special Order' only.

Technical Specification



| Ethernet Control (All types) | | | |
|------------------------------|--|--------------------|--|
| Physical Layer | Ethernet | | |
| Standards | 10/100 Base-T Mb/s | | |
| Protocol | TCP-IP | | |
| Connector | RJ45 (x1) | | |
| Debug | | | |
| Physical Layer | RS232 | IP Switch & LED | Restore Factory |
| Connector | 9-Way D female/screw lock | Reset Switch & LED | IP Address Panel Reset |
| Physical | | Environmental | |
| Mounting Height | 2RU | Operating Temp. | 0°C ≤ T _{AMB} ≤ 40°C |
| Height | 80mm | Maintained Spec. | 0°C ≤ T _{SPEC} ≤ 30°C |
| Width | 448mm | Storage Temp. | -20°C ≤ T _{STORAGE} ≤ 80°C |
| Depth | 206mm | Relative Humidity | 5% - 95% (non-condensing) |
| Weight | (behind mounting face) <1kg (2.2lb) max | Cooling | Natural Convection |
| Power | | Compliance | |
| Connector | IEC | EMC - Emissions | EN55103-1 (EU), FCC Part 15 (USA) |
| Voltage | 85-264V AC, 47-63 Hz | EMC - Immunity | EN55103-2 (EU) |
| AC Input Power | 25W nominal | Safety | EN60950 (EU), UL1419 (USA) |
| Fusing | T2A (Integrated with IEC connector) | Hazardous Material | RoHS-6 (UK) – Complies with EU Directive |