



**Grass Valley**  
WE LOVE LIVE

# LDX C135 / LDX C150

**Compact Camera Series**

**User Guide**

13-00156-000 AA

2023-07-31

[www.grassvalley.com](http://www.grassvalley.com)

## FCC Compliance

In order to comply with FCC/CFR47: Part 15 regulations, it is necessary to use high-quality, triple-screened Media or Monitor cable assemblies with integrated ferrite suppression at both ends.

## Patent Information

This product may be protected by one or more patents.

For further information, please visit: [www.grassvalley.com/patents/](http://www.grassvalley.com/patents/)

## Copyright and Trademark Notice

Grass Valley®, GV® and the Grass Valley logo and/or any of the Grass Valley products listed in this document are trademarks or registered trademarks of GVBB Holdings SARL, Grass Valley USA, LLC, or one of its affiliates or subsidiaries. All other intellectual property rights are owned by GVBB Holdings SARL, Grass Valley USA, LLC, or one of its affiliates or subsidiaries. All third party intellectual property rights (including logos or icons) remain the property of their respective owners.

Copyright ©2023 GVBB Holdings SARL and Grass Valley USA, LLC. All rights reserved.

Specifications are subject to change without notice.

## Terms and Conditions

Please read the following terms and conditions carefully. By using LDX 100 Series documentation, you agree to the following terms and conditions.

Grass Valley hereby grants permission and license to owners of LDX 100 Series to use their product manuals for their own internal business use. Manuals for Grass Valley products may not be reproduced or transmitted in any form or by any means, electronic or mechanical, including photocopying and recording, for any purpose unless specifically authorized in writing by Grass Valley.

A Grass Valley manual may have been revised to reflect changes made to the product during its manufacturing life. Thus, different versions of a manual may exist for any given product. Care should be taken to ensure that one obtains the proper manual version for a specific product serial number.

Information in this document is subject to change without notice and does not represent a commitment on the part of Grass Valley.

Warranty information is available from the Legal Terms and Conditions section of Grass Valley's website ([www.grassvalley.com](http://www.grassvalley.com)).

Title	LDX C135 / LDX C150 User Guide
Part Number	13-00156-000 AA Revision
	2023-06-26, 12:00

## Important Safety Information

This section provides important safety guidelines for operators and service personnel. Specific warnings and cautions appear throughout the manual where they apply. Please read and follow this important information, especially those instructions related to the risk of electric shock or injury to persons.

### Symbols and Their Meanings



Indicates that dangerous high voltage is present within the equipment enclosure that may be of sufficient magnitude to constitute a risk of electric shock.



Indicates that the user, operator or service technician should refer to the product manuals for important operating, maintenance, or service instructions.



Indicates that static sensitive components are present, which may be damaged by electrostatic discharge. Use anti-static procedures, equipment and surfaces during servicing.



The presence of this symbol in or on Grass Valley equipment means that it has been tested and certified as complying with applicable Underwriters Laboratory (UL) regulations and recommendations for USA.



The presence of this symbol in or on Grass Valley equipment means that it has been tested and certified as complying with applicable Canadian Standard Association (CSA) regulations and recommendations for USA/Canada.



The presence of this symbol in or on Grass Valley equipment means that it has been tested and certified as complying with applicable Underwriters Laboratory (UL) regulations and recommendations for USA/Canada.



Intertek

The presence of this symbol in or on Grass Valley equipment means that it has been tested and certified as complying with applicable Intertek Testing Services regulations and recommendations for USA/Canada.



The presence of this symbol in or on Grass Valley product means that it complies with all applicable European Union (CE) directives.



The presence of this symbol in or on Grass Valley product means that it complies with safety of laser product applicable standards.

## Warnings



A warning indicates a possible hazard to personnel, which may cause injury or death. Observe the following general warnings when using or working on this equipment:

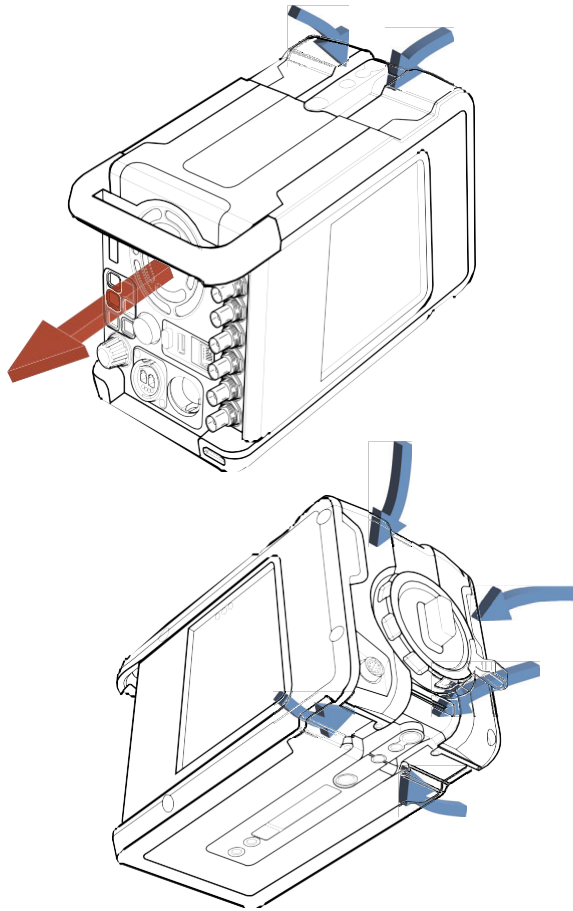
- Any instructions in this manual that require opening the equipment cover or enclosure are for use by qualified service personnel only.
- Do not operate the equipment in wet or damp conditions. If the unit is in a wet or damp environment, a rain cover must be used to protect it for personal safety reasons.
- Disconnect power before cleaning the equipment. Do not use liquid or aerosol cleaners; use only a damp cloth.
- Dangerous voltages may exist at several points in this equipment. To avoid injury, do not touch exposed connections and components while power is on.
- Prior to servicing, remove jewelry such as rings, watches, and other metallic objects.
- To avoid explosion, do not operate this equipment in an explosive atmosphere.
- Have qualified service personnel perform safety checks after any service.

## Cautions



A caution indicates a possible hazard to equipment that could result in equipment damage. Observe the following cautions when operating or working on this equipment:

- Products that have no on/off switch, and use an external power supply must be installed in proximity to a main power outlet that is easily accessible.
- Do not operate with suspected equipment failure. If you suspect product damage or equipment failure, have the equipment inspected by qualified service personnel.
- To reduce the risk of electric shock, do not perform any servicing other than that contained in the operating instructions unless you are qualified to do so. Refer all servicing to qualified service personnel.
- Follow static precautions at all times when handling this equipment. Servicing should be done in a static-free environment.
- Provide proper ventilation. To prevent product overheating, provide equipment ventilation in accordance with the installation instructions. Do not block the hot airflow coming from air outlet(s).



## Precautions

To ensure continual high performance from the camera take the following precautions into consideration:

- Avoid damp places. If the environment is wet or damp a rain cover must be used to protect the camera.
- Do not subject the camera to severe shocks or vibration.
- Do not expose the camera to extremes of temperature.
- Do not leave the camera in direct sunlight or close to heating appliances for extended periods.
- Do not allow sunlight to shine into the viewfinder.
- Do not allow laser beams to shine into the lens as this could damage the imagers.
- Avoid extreme highlights as these can cause various kinds of optical reflections.
- Be careful when connecting and disconnecting fiber cables.
- Do not connect Grass Valley camera systems with other manufacturer's camera system parts.
- Make connections swiftly and firmly to avoid false error messages.

## Electrostatic Discharge (ESD) Protection



Electrostatic discharge occurs when electronic components are improperly handled and can result in intermittent failure or complete damage adversely affecting an electrical circuit. When you remove and replace any card from a frame always follow ESD-prevention procedures:

- Ensure that the frame is electrically connected to earth ground through the power cord or any other means if available.
- Wear an ESD wrist strap ensuring that it makes good skin contact. Connect the grounding clip to an *unpainted surface* of the chassis frame to safely ground unwanted ESD voltages. If no wrist strap is available, ground yourself by touching the *unpainted* metal part of the chassis.
- For safety, periodically check the resistance value of the antistatic strap, which should be between 1 and 10 megohms.
- When temporarily storing a card make sure it is placed in an ESD bag.
- Cards in an earth grounded metal frame or casing do not require any special ESD protection.

## Environmental Information

European (CE) WEEE directive.



This symbol on the product(s) means that at the end of life disposal it should not be mixed with general waste.

Visit [www.grassvalley.com](http://www.grassvalley.com) for recycling information.

Grass Valley believes this environmental information to be correct but cannot guarantee its completeness or accuracy since it is based on data received from sources outside our company. All specifications are subject to change without notice.

If you have questions about Grass Valley environmental and social involvement (WEEE, RoHS, REACH, etc.), please contact us at [environment@grassvalley.com](mailto:environment@grassvalley.com).

## Laser Safety - Fiber Output SFP and QSFP Modules Warning

### LASER SAFETY



The average optical output power does not exceed 0 dBm (1mW) under normal operating conditions. Unused optical outputs should be covered to prevent direct exposure to the laser beam.

Even though the power of these lasers is low, the beam should be treated with caution and common sense because it is intense and concentrated. Laser radiation can cause irreversible and permanent damage of eyesight. Please read the following guidelines carefully:

- Make sure that a fiber is connected to the board's fiber outputs before power is applied. If a fiber cable (e.g. patchcord) is already connected to an output, make sure that the cable's other end is connected, too, before powering up the board.
- **Do not** look in the end of a fiber to see if light is coming out. The laser wavelengths being used are totally invisible to the human eye and can cause permanent damage. Always use optical instrumentation, such as an optical power meter, to verify light output.

## Safety and EMC Standards

This equipment complies with the following standards:

### Safety Standards



#### **IEC62368-1:2018**

Audio/video, information and communication technology equipment: part 1

#### **EN 62368-1:2018**

EU national deviations.

### EMC Standards

This unit conforms to the relevant Union harmonization legislation and the requirements of the following directive/standards:

#### **RED 2014/53/EU**

EMC testing; EN 301 489-1 V2.2.3, EN 301 489-3 V2.1.1 and EN 301 489-19 V2.1.1.  
EN 62311:2020N

Radio testing; EN 303 413 v1.1.1 (GPS)

Radio testing; EN 300 330 v2.1.1 (NFC)

#### **FCC / CFR 47:Part 15 (Class B)**

Federal Communications Commission Rules Part 15, Subpart B

Caution to the user that changes or modifications not expressly approved by the party responsible for compliance could void the user's authority to operate the equipment.

This device complies with part 15 of the FCC Rules. Operation is subject to the following two conditions: (1) this device may not cause harmful interference, and (2) this device must accept any interference received, including interference that may cause undesired operation.



#### **Note**

This equipment has been tested and found to comply with the limits for a Class B digital device, pursuant to part 15 of the FCC Rules. These limits are designed to provide reasonable protection against harmful interference in a residential installation.

---





**Note**

This equipment generates, uses and can radiate radio frequency energy and, if not installed and used in accordance with the instructions, may cause harmful interference to radio communications. However, there is no guarantee that interference will not occur in a particular installation.

If this equipment does cause harmful interference to radio or television reception, which can be determined by turning the equipment off and on, the user is encouraged to try to correct the interference by one or more of the following measures:

- Reorient or relocate the receiving antenna.
- Increase the separation between the equipment and receiver.
- Connect the equipment into an outlet on a circuit different from that to which the receiver is connected.
- Consult the dealer or an experienced radio/TV technician for help.



**WARNING**

Changes or modifications not expressly approved by the party responsible for compliance could void the user's authority to operate the equipment.

---

## EMC performance of cables and connectors

Grass Valley products are designed to meet or exceed the requirements of the appropriate European EMC standards. In order to achieve this performance in real installations it is essential to use cables and connectors with good EMC characteristics.

All signal connections (including remote control connections) shall be made with screened cables terminated in connectors having a metal shell. The cable screen shall have a large-area contact with the metal shell.

### SIGNAL/DATA PORTS

For unconnected signal/data ports on the unit, fit shielding covers. For example, fit EMI blanking covers to SFP(+) type ports and fit 75  $\Omega$  RF terminators to BNC type ports.

### COAXIAL CABLES

Coaxial cables connections (particularly serial digital video connections) shall be made with high-quality double-screened coaxial cables such as Belden 8281 or BBC type PSF1/2M, Belden 1694A (for 3Gbps) and Belden 4694R (for 12Gbps).

**D-TYPE CONNECTORS**

D-type connectors shall have metal shells making good RF contact with the cable screen. Connectors having "dimples" which improve the contact between the plug and socket shells, are recommended.

# to

## Table of Contents

<b>1</b>	<b>Introduction.....</b>	<b>11</b>
	Welcome .....	11
	About this guide .....	11
	Related documents.....	11
	Technology .....	12
	XensiumHAWK CMOS imagers.....	12
	Superior digital processing .....	12
	Remote Production.....	12
	Options.....	13
	Acquisition formats .....	13
	Key features.....	13
	System components and accessories.....	14
<b>2</b>	<b>Installation.....</b>	<b>15</b>
	Mounting a lens .....	15
	Installing a (Q)SFP module .....	16
	Mounting the camera .....	16
<b>3</b>	<b>Setup .....</b>	<b>19</b>
	Connecting power.....	19
	Setting the camera number .....	20
	Viewing .....	21
	Setting the camera mode .....	21
	Control network.....	21
	Locking.....	21
	PTP locking .....	22
	PTP setup.....	22
	Local reference.....	23
	Main video workflows.....	24
	NativeIP mode: 1X speed UHD 2110-20 single raster .....	24
	NativeIP mode: redundant 1X speed UHD 2110-20 single raster.....	24
	NativeIP mode: 3X speed UHD 2110-20 single raster (LDX 150 only).....	25
	XCU mode: 1X speed UHD with XCU Universe UXF or XCU Xpress UXF .....	25
<b>4</b>	<b>IP Media setup.....</b>	<b>27</b>
	Camera Connect .....	27
	IP Media Network setup.....	28
	Network ports setup .....	28
	NMOS .....	29
	Main video .....	31

Main video in 4K uncompressed mode.....	32
IP Mon\Live tab .....	35
External Video tab.....	36
IP Audio tab.....	38
IP Intercom tab.....	40
PTP tab .....	42
<b>5 Operating Instructions .....</b>	<b>45</b>
Using the camera.....	45
Location of controls .....	46
Using the camera menu .....	47
Entering the camera menu .....	48
Finding your way .....	48
Leaving the camera menu .....	49
Making value changes .....	49
Camera menu control with OCP or CGA .....	50
Undoing changes.....	50
User buttons .....	51
Camera Display .....	51
On screen information .....	52
Indicators.....	52
Marker indicators .....	55
Focus assist.....	55
Lens operation .....	55
Back focus adjustment.....	55
CLASS .....	55
Auto Iris .....	56
Extended Iris.....	58
Precision focus .....	58
Lens indicators on the viewing output .....	59
Communication .....	59
Tally.....	59
Tally outputs .....	59
Tally inputs.....	60
Managing files .....	60
Scene files.....	60
Operator files .....	61
Lens files.....	62
Media files .....	62
Standard files .....	62
Access and security.....	62
User level.....	62
Selecting the user level.....	62
Disable camera.....	63
Access control .....	63
<b>6 Video Setup .....</b>	<b>65</b>
Video settings .....	65
Standard settings .....	65
Video mode .....	65

Sensitivity mode .....	65
Color bar .....	66
Gain .....	66
Optical filters .....	67
Exposure .....	68
Exposure time .....	68
Lighting correction .....	68
V-Shift (vertical acquisition shift) .....	69
LED Wall Filter .....	69
Color .....	69
Color Temperature .....	69
Color Tint .....	69
Color Filter .....	70
Selecting color temperature .....	70
Auto White Balance .....	70
Saturation .....	72
Color Gamut .....	72
Color Protect .....	72
Sharpness .....	73
Detail .....	73
Advanced options .....	73
Lens related functions .....	73
Skin Detail .....	73
Image control .....	75
Freeze Frame .....	75
Reverse Scan .....	75
<b>7 Camera Menu Reference .....</b>	<b>77</b>
Reference tables .....	77
Installation menu .....	78
Operator Toolbox menu .....	84
Production Setup .....	88
Creative Control .....	94
Configuration menu .....	98
Licenses menu .....	105
Diagnostics menu .....	107
Service menu .....	108
<b>8 Maintenance .....</b>	<b>117</b>
Licenses .....	117
About options .....	117
Installation procedure .....	117
Calibrations .....	119
Black Calibration .....	119
Full Black .....	121
Formatting the SD Card .....	121
Updating camera software .....	122

---

<b>9 Installation of (Q)SFP modules .....</b>	<b>123</b>
(Q)SFP modules configurations .....	123
Changing (Q)SFP modules .....	123
List of (Q)SFP modules .....	126
<b>10 Connectors .....</b>	<b>129</b>
Connector locations .....	129
BNC Video connectors .....	130
Baseband video signals in XCU mode .....	133
IP streams in XCU mode .....	133
Reference (REF) connector .....	134
Auxiliary connector (AUX) .....	135
C2IP (Network) connector .....	137
HDMI connector .....	137
USB connector .....	137
DC Power input connector .....	138
Lens interface connector .....	138
OpticalCON DUO connector .....	139
<b>11 Specifications .....</b>	<b>140</b>
Specifications for LDX C135 Compact Camera .....	140
General .....	140
Camera .....	140
Supported video modes .....	141
Signals and connectivity .....	141
Dimensions .....	142
<b>12 Available Options .....</b>	<b>144</b>
À la carte Temporary Software Options .....	144
<b>Contact Us .....</b>	<b>146</b>

# 1 Introduction

## Welcome

The LDX C135 and LDX C150 are compact high-end live production cameras featuring the Grass Valley's new 2/3-inch UHD imagers. The LDX C135 / LDX C150 is compatible with the LDX 135 / LDX C150 system camera and uses the same technology for control, video processing and IP transmission.

## About this guide

The purpose of this guide is to present a detailed description of how to operate an LDX Compact camera head. It provides the information necessary to use the camera in different configurations and with various attachments. This guide describes all operating features of the camera so it can be used to its full potential.

This guide is so designed that it can be used as an introduction to those who are new to the camera, as a simple procedural guide to those who wish to set-up and start shooting immediately, and as a reference work to be consulted as required during the long life of the camera.

## Related documents

Before proceeding, check the Grass Valley website at [www.grassvalley.com](http://www.grassvalley.com) for the latest version of this user's guide and additional information:

- User's guide updates, data sheets, brochures and application notes.
- Camera software updates, release notes and installation instructions.

## Technology

The LDX C135 / LDX C150 compact camera is a self-contained native 4K UHD camera in a small form factor. It is an extension to the revolutionary LDX100 series cameras.

In addition, the LDX C135 / LDX C150 gives you the same familiar GV-eLicense upgrade path as the other LDX 100 Series cameras, so that you always have the camera that you need.

## Xensium<sup>HAWK</sup> CMOS imagers

The LDX C135 / LDX C150 takes compact cameras to a new performance level with native 4K UHD (3840x2160) image capture, using 3840x2160p 4K Xensium CMOS imagers.

## Superior digital processing

The advanced video processing of the camera is done with floating point precision while all major camera functions are processed in the digital domain, including knee, gamma, detail, matrix and color correction.

To make images look their best, the LDX C135 / LDX C150 Series cameras incorporate TrueTexture™—a unique feature to preserve texture throughout all processing parameters.

Chromatic lens aberration correction (CLASS) offers impressive sharpness improvements on the outer regions of the image by canceling out shifts in color registration. This algorithm works in conjunction with lens data, using industry standard lens interface protocols.

The Dynamic Detail Equalizer provides more control over image sharpness than ever before. Detail enhancement can be fine-adjusted for each individual tonal range.

Video contrast adjustment offers unmatched creative control over the luminance levels of the picture: shadows, midtones and highlights can be adjusted individually while natural transitions between the areas are maintained.

The LDX Series provides enhanced colorimetry, color matching, and picture performance. Color temperature and tint are just two of the parameters that can be simultaneously adjusted across multiple cameras.

## Remote Production

The LDX C135 / LDX C150 is the best choice for At-Home/REMI (REMIte Integration) productions. With the implementation of Grass Valley's NativeIP transmission, the LDX C135 / LDX C150 is the first Compact camera that is fully IP based. Thanks to NativeIP, the camera connects directly to your IP infrastructure in studio and OB-production environments. It is also possible to use the LDX C135 / LDX C150 in Local mode, connected with BNC's or in XCU mode connected to a XCU Xpress UXF (or Universe/Enterprise).

The LDX C135 / LDX C150 is a companion of the LDX 135 / LDX C150 camera for video, transmission and control. Compared to the System camera, the Compact version has no audio, intercom or VF connectivity.



## Options

The LDX C135 basic functionality supports XF transmission workflow using the XCU UXF base station in 4K and 1080i/p 50/59.94Hz video modes.

The LDX C150 basic functionality also supports XF transmission workflow using the XCU UXF base station in 1080i/p 50/59.94z video modes (4K with license).

The following options are available for the **LDX C135 and LDX C150**:

- **NativeIP**  
IP based Media Network
- **DirectIP+**  
DirectIP+ operation
- **UHD Filmic**  
UHD filmic broadcast video modes (25, 23.98 and 29.97 frames/s)
- **GPS**  
Camera position information
- **Jpeg XS**  
High quality compression

The following options are available for the LDX C150:

- **UHD 1X**  
UHD 1X single speed video modes  
**Note:** UHD 1X is a standard available in the LDX 135 (No option required)
- **UHD 3X**  
UHD 3X high speed video modes
- **UHD 6X**  
UHD 6X high speed video modes

## Acquisition formats

The LDX C135 / LDX C150 always uses UHD acquisition (in different frame rates).

## Key features

- Compatible with LDX 135 and LDX C150.
- Simple, scalable multi-format image capture and distribution.
- First compact camera to employ full IP network connectivity thanks to NativeIP. No separate base station is required for NativeIP. Compatibility offered with XCU UXF (Universe/Enterprise/Xpress).
- Fastest time to deploy and configure.
- Extensive operator training not required.
- At-a-glance settings and diagnostics for immediate status recognition.
- Software update and reconfiguration of licenses and settings (if required) in less than 7 minutes.
- Field-tested rugged and reliable.
- Suite of inventory management features.
- Quickly align camera configuration to production requirements for superior cost management.
- Field replaceable (Q)SFP modules for different IP configurations.
- Native UHD 3840x2160 acquisition up to 6 speed.

## System components and accessories

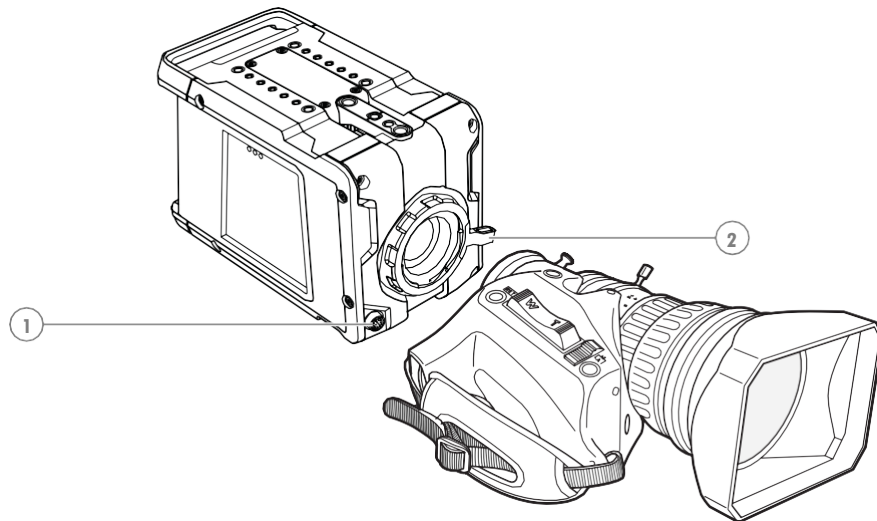
- XCU Xpress UXF
- CGP 500
- CCS-One
- CGA
- Power 15 V (Power 28 V)

# 2 Installation

## Mounting a lens

To attach a lens to the camera head proceed as follows:

- 1 Ensure that the lens locking ring is in the unlocked position (turned counterclockwise).
- 2 If present, remove the dust protection cap.
- 3 Slot the lens into the lens mount.
- 4 Turn the lens locking ring [2] clockwise until the lens locks firmly in place.
- 5 Connect the lens cable to the lens connector [1] on the front of the camera.



---

### Caution

Do not attach a lens weighing more than 5 kg (11 lbs) to the camera.

---

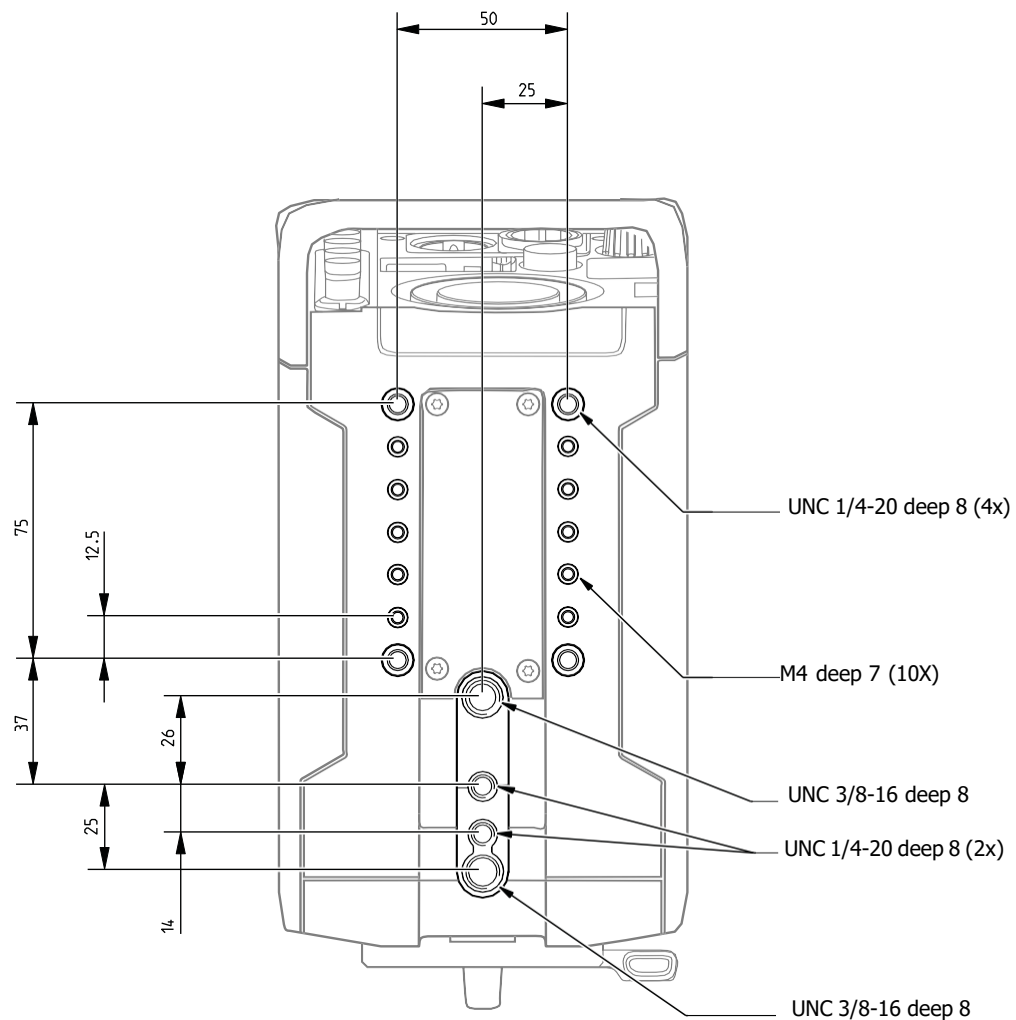
After a lens is mounted to the camera for the first time, it may be necessary to carry out some adjustments to optimize its use, for example, back focus or shading. For more information about these adjustments refer to the lens manufacturer's documentation.

## Installing a (Q)SFP module

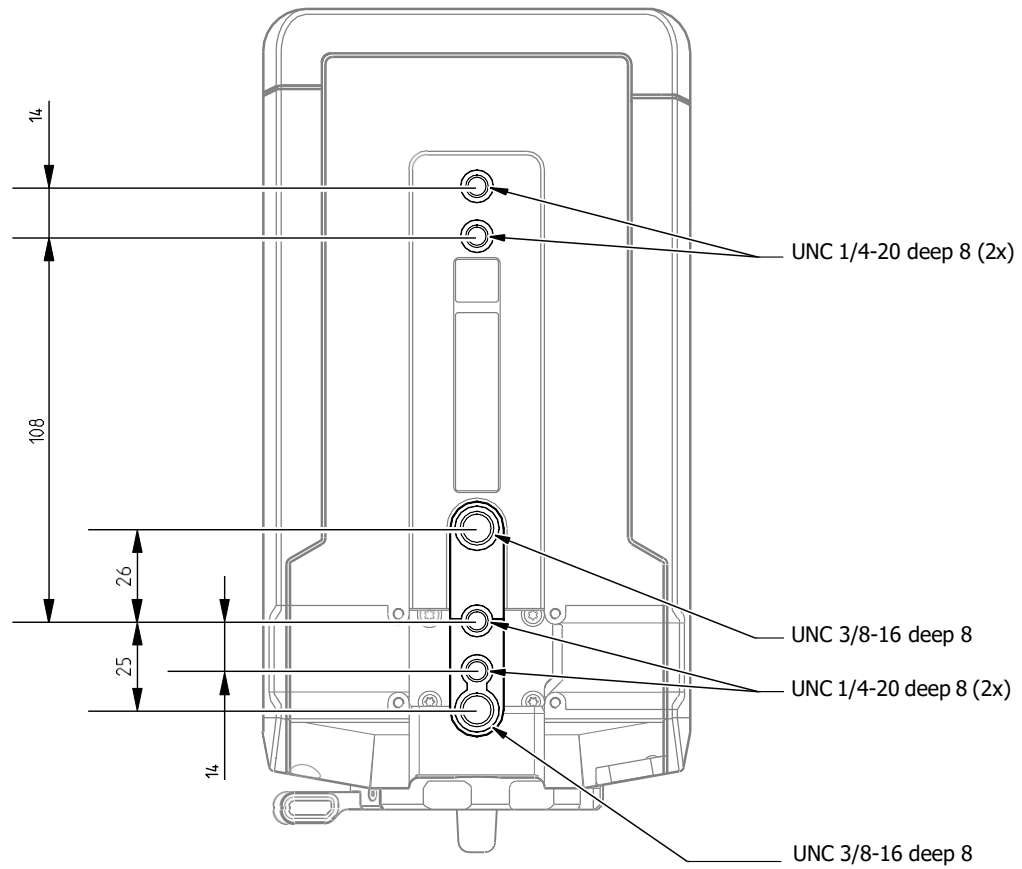
The camera is shipped without a (Q)SFP module. Before operating the LDX C135 / LDX C150 make sure that the right (Q)SFP module is installed that suits your transmission configuration. Refer to **“Changing (Q)SFP modules” on page 117** for more information about how to install (or exchange) a (Q)SFP module.

## Mounting the camera

The camera housing has several mounting holes to attach a wedge plate or tripod adapter plate. The mounting holes are located at the top and bottom.



*LDXC135 / LDX C150 Compact Camera Top View*



*LDX C135 / LDX C150 Compact Camera Bottom View*



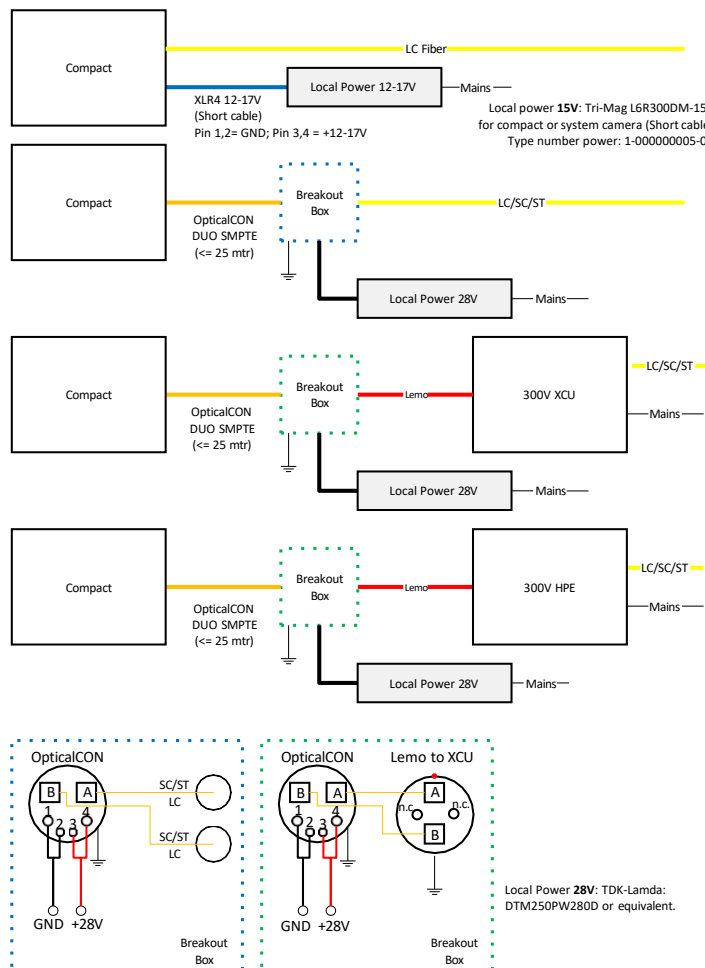
# 3 Setup

## Connecting power

The LDX C135 / LDX C150 can be powered in 2 ways:

- With 12-17 V on the XLR4 connector (15 V preferred).
- With 20-28 V on the OpticalCON connector (28 V preferred).

Attach a lens and any other accessories to the camera. Connect a power supply to the XLR-4 DC input power connector at the back panel of the camera, or connect 28 V via a breakout box and maximum 25 meter OpticalCON SMPTE cable to the camera. Once power is connected, the camera starts up, indicated by the indicator LEDs lighting up on the back panel. After a short while the camera is operational.



Power and Fiber Connections Diagram for LDX C135 / LDX C150 Compact Camera



**Note**

The camera does not have a power switch, by default power is on. However, power can be switched off by connecting pin 13 of the Auxiliary connector to ground. Refer to [“BNC Video connectors” on page 124](#).

---



**Note**

If connected to an XCU, only the fiber connection from the XCU is used. The 300 V power can not be used. The camera must be powered by 28 V or 15 V.

---



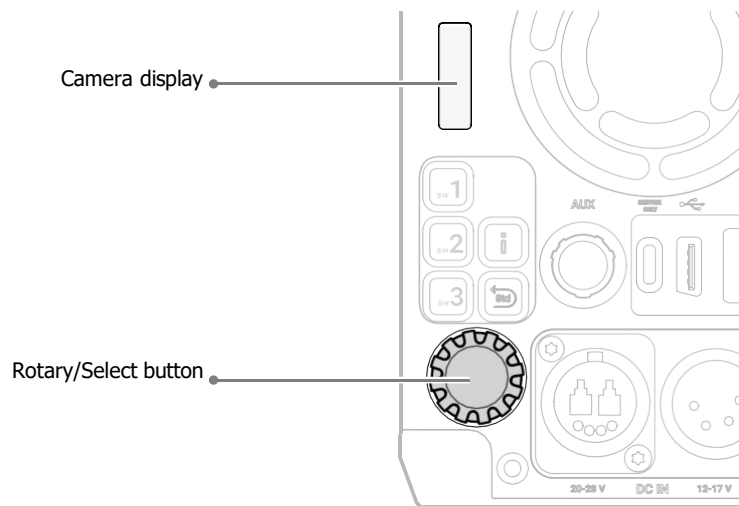
**Note**

It is recommended to use the Grass Valley 300 W, 15 V Power Supply for LDX 100 Series (order number 5-000000005-01) to power the camera.

---

## Setting the camera number

The camera number is the unique identification of the camera in the C2IP (camera control) network. It is used to assign the camera to a control panel such as the OCP 400. The control panel must be set to the same number to connect to the camera.



If the camera is in **IP or Local Mode**, enter the camera menu, go to the Configuration/Network menu then the Camera number can be changed from 1 to 99.

To change the Camera number on the camera itself:

1. Press and hold the rotary/select button for 2 seconds, the camera display starts flashing.
2. Turn the rotary/select button to select the camera number from 1 to 99.
3. Press the rotary/select button again to confirm the new settings.

In **XCU mode**, the camera will follow the XCU camera number. It is not possible to change the camera number in the camera menu.



## Viewing

The HDMI video output or BNC E can be used for viewing the camera video signal, *including superimposed text information* such as the camera menu, markers and indicators. Connect a compatible video monitor to view the camera video signal.

## Setting the camera mode

If the camera menu button or the Info button is pressed, the display will show in which mode the camera is running (XCU, NativeIP or Local) and the IP address of the camera is displayed.

To set or change the camera mode, enter the Camera Menu, go to the Installation Menu and use the Camera mode function to select IP (for NativeIP mode), XCU (for XCU mode) or Local (for Local Mode).

When the camera is in XCU mode, the 300 V power system of the XCU is not used so the camera must be powered with 15 V or 28 V on the DC input connectors.

## Control network

The LDX C135 / LDX C150 is controlled by the Creative Grading camera control system that uses the C2IP network. There are several methods to connect the camera to the C2IP network:

- **In NativeIP mode:** use a tagged VLAN for the C2IP network on the IP Media network;
- **In XCU mode:** connect the C2IP network to the C2IP Ethernet connector on the back panel of the XCU;
- **In Local mode:** connect the C2IP network directly to the C2IP Ethernet connector on the back panel of the camera.



### Note

The Compact camera can also be controlled by a legacy OCP 400 control panel. Not all options may be available.

---

## Locking

The Compact camera can be locked by one of the following reference signals or sources:

- a network clock using PTP (typically a PTP Grandmaster) over the IP Media Network
- a local reference source (a camera or signal generator) using an SDI input, HD Tri-Level or Composite video.
- an XCU via the XF transmission (in XCU camera mode)
- or it can be in FreeRun mode (not locked)

The Compact camera can also act as a reference source to synchronize other cameras.

## PTP locking

### PTP in NativeIP mode

The camera is synchronized (locked) over the IP Media Network to a PTP grandmaster clock using the Precision Time Protocol (PTP).



#### Tip

Many PTP settings and detailed diagnostics on PTP can be monitored in camera menu: go the ***Diagnostics*** > ***PTP*** menu to view them.

---

### PTP in XCU mode

The camera is synchronized by the XCU which is connected (over the IP Media Network) to a PTP grandmaster clock using the Precision Time Protocol (PTP).

In the XCU menu, go to the ***Install*** > ***Reference Source*** > ***Source*** function and select *PTP*.



#### Tip

Many PTP settings and detailed diagnostics on PTP can be monitored in the XCU menu: go to the ***Diagnostics*** > ***Media Network*** > ***PTP*** menu to view them.

---

## PTP setup

(this section is valid both in NativeIP and XCU mode)

- Status — shows PTP locking status. The following indications are possible:
  - locked XCU is locked to the PTP grandmaster clock.
  - Calibrating — a PTP Grandmaster is found and the camera system is calibrating to the PTP Grandmaster;
  - Listening — system is searching for a PTP Grandmaster on the IP Media Network;
  - Disabled — PTP is switched off;
  - Off — system is not connected to the IP Media Network.
- Profile — select the PTP protocol/domain used for locking to the PTP Grandmaster:
  - SMPTE2059 — used for synchronization of broadcast media systems;
  - AES67 — media profile of AES67;
  - AES-SMPTE — combination of AES67 and SMPTE2059;
  - User — User defined PTP settings. The parameters Domain Nr, Delay Req Interval and Receipt Timeout must be set. For more information about these parameters, refer to the IEEE1588 PTP (Precision Time Protocol) specification.

## Local reference

### Camera

The locking source is connected directly to the camera's Reference Input BNC connector (see "[Reference \(REF\) connector](#)" on page 127).

- 1 Select the reference signal. Go to the **Configuration > Reference** function and select one of the following options:
  - <SDI Input> camera locks to an SDI video signal applied to BNC-D.
  - <PTP> the camera locks to a PTP signal on the IP Network (in NativeIP mode).
  - <TriLvl> (= HD Tri-Level sync): the camera locks to the (expected) TriLvl input on the REF connector.
  - <Composite> (SD Black Burst): the camera locks to the (expected) Composite input on the REF connector.
  - <FreeRun> not locked (reference signals are ignored).
- 2 If you selected <SDI Input> or <PTP> as reference signal, the REF BNC connector can be programmed. Go to the **Configuration > Signals > BNC Ref** function and select one of the following options:
  - <Ref In> Reference input
  - <TriLvl> HD Tri-Level reference output, can be used as a locking source for a second camera.
  - <Composite> Composite (SD Black Burst) reference output, can be used as a locking source for a second camera.



#### Tip

Locking diagnostics can be monitored in the **Diagnostics > Reference** menu.

---

### XCU

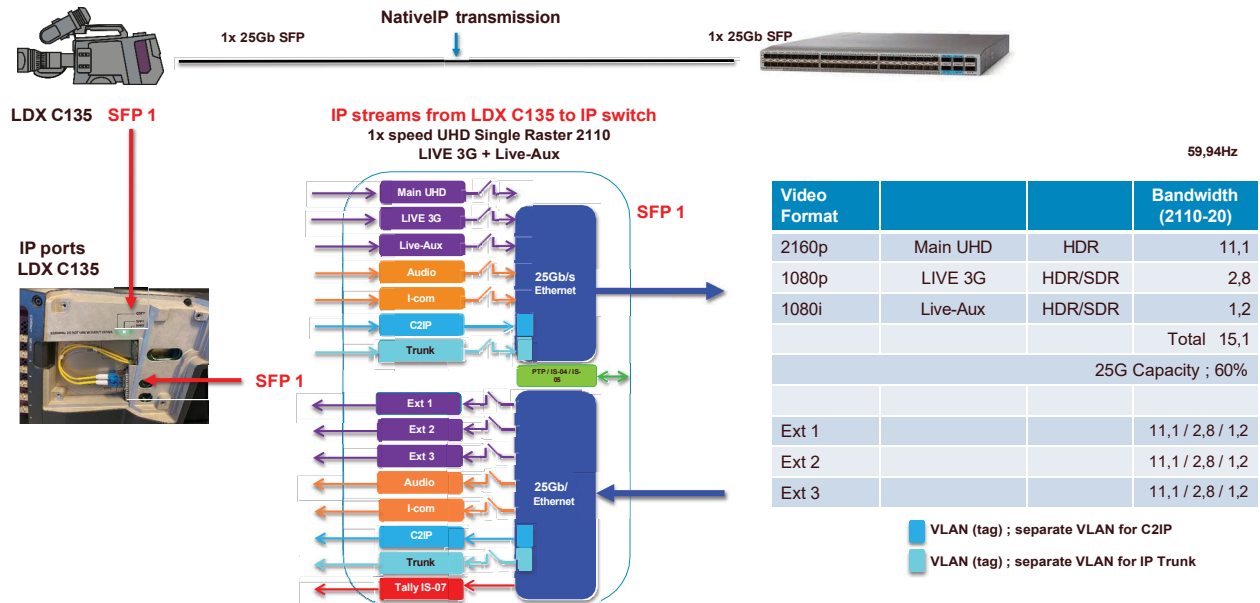
(only valid when camera is in XCU mode)

The locking source is directly connected to the Reference Input BNC connector on the XCU backpanel: it can be either a HD Tri-Level sync or Composite (SD Black Burst) signal.

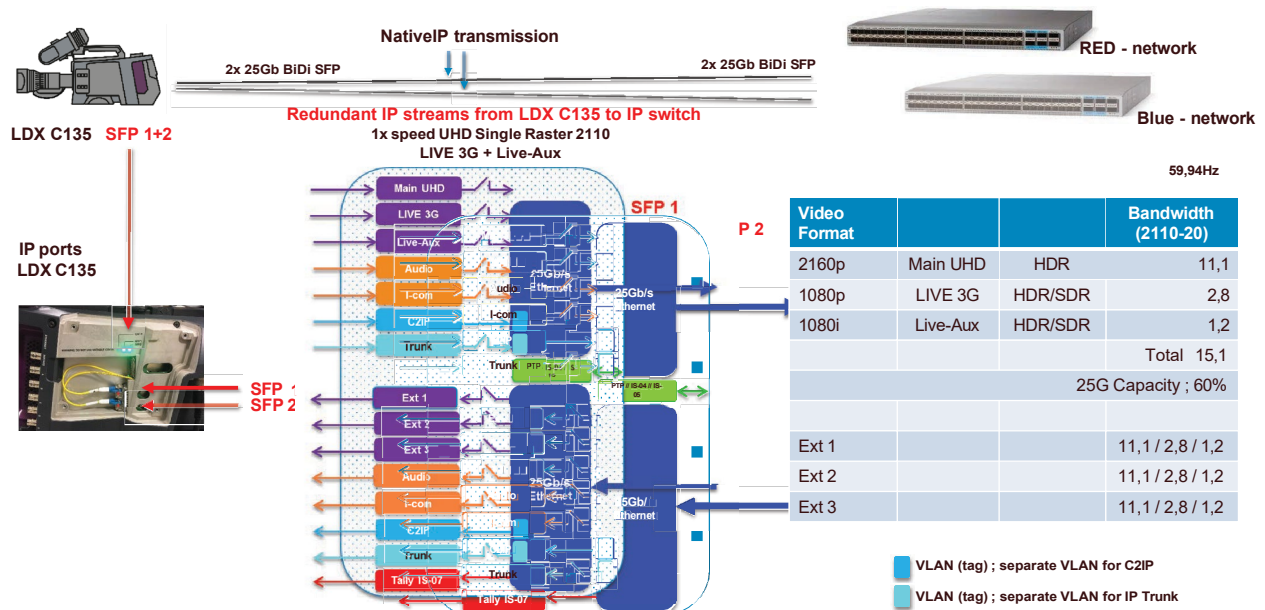
In the XCU menu, go to the **Install > Reference Source > Source** function and select *RefVideoIn*. The XCU accepts and detects both HD Tri-Level and SD Black Burst reference signals.

## Main video workflows

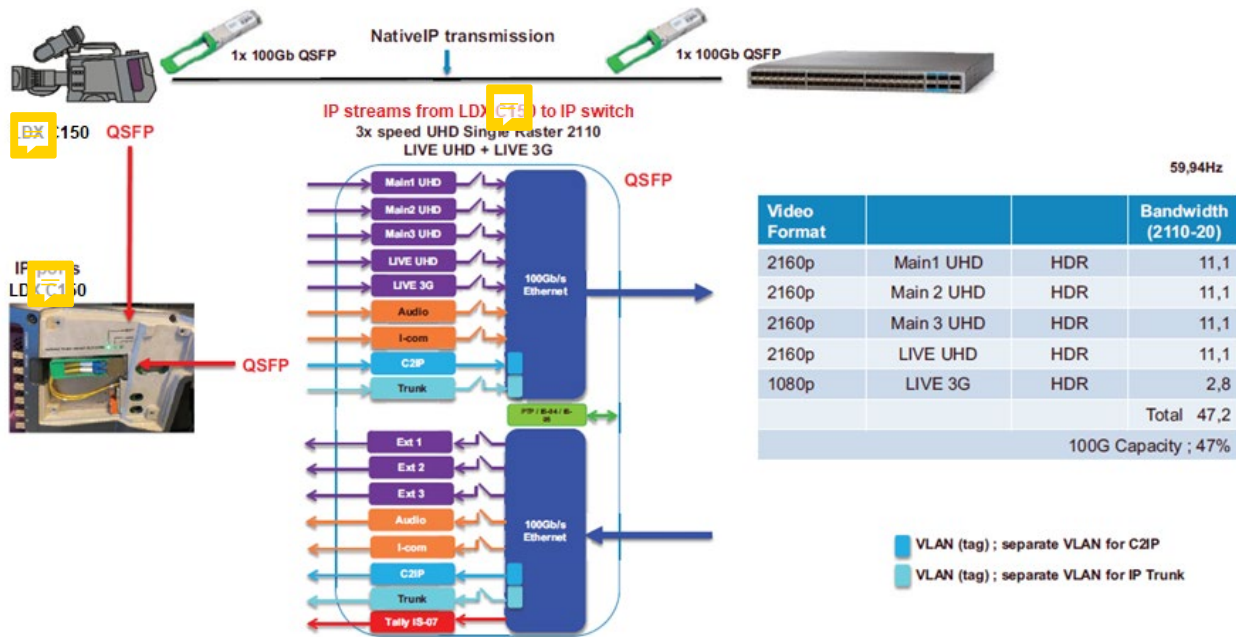
### NativeIP mode: 1X speed UHD 2110-20 single raster



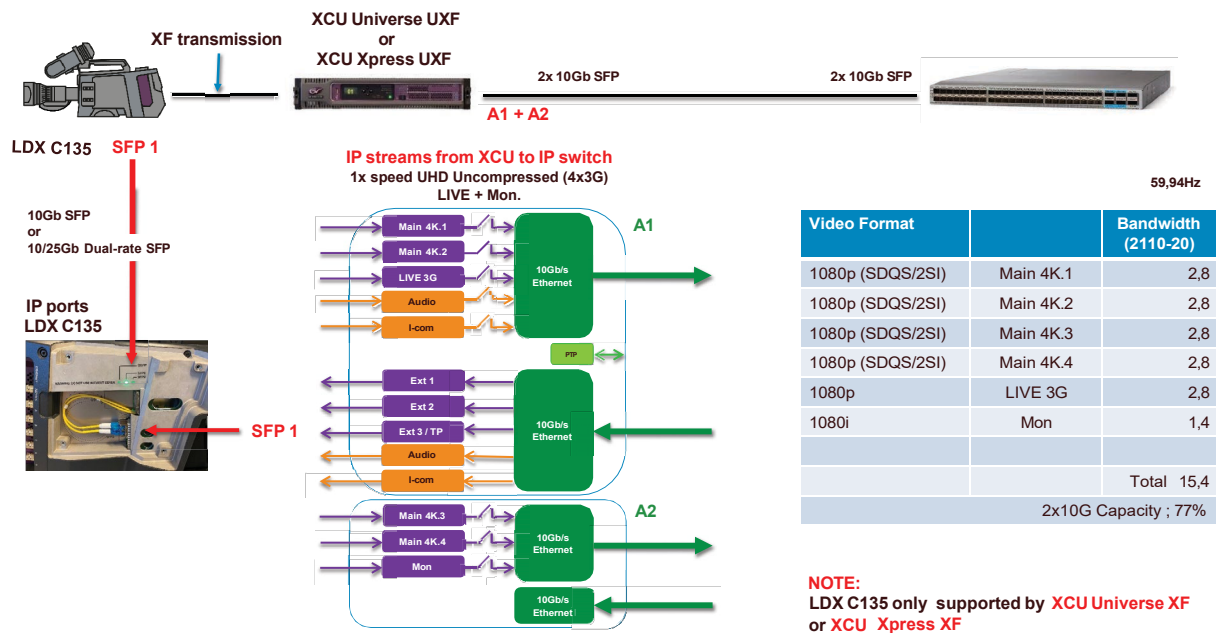
### NativeIP mode: redundant 1X speed UHD 2110-20 single raster



## NativeIP mode: 3X speed UHD 2110-20 single raster (LDX C150 only)



## XCUI mode: 1X speed UHD with XCU Universe UXF or XCU Xpress UXF





# 4 IP Media setup

## Camera Connect

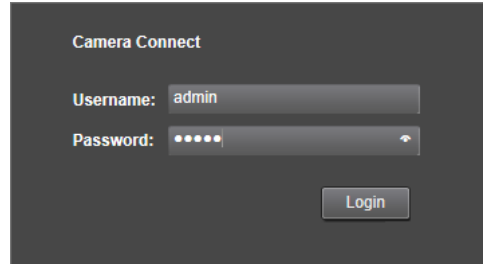


### Note

Make sure the version of Camera Connect 1.69 or higher.

Camera Connect is Grass Valley's configuration and setup tool for camera systems. The software comes pre-installed on the CCS-One Cameras Control Server and can be accessed through the C2IP network by a web-browser that runs on a PC or tablet computer.

- Make sure you are connected to the C2IP network. Open the web-browser on your device and enter one of the following links:
  - <http://10.127.44.32/camconnect>
  - <http://169.254.0.201/camconnect>
- The Camera Connect login window is shown:



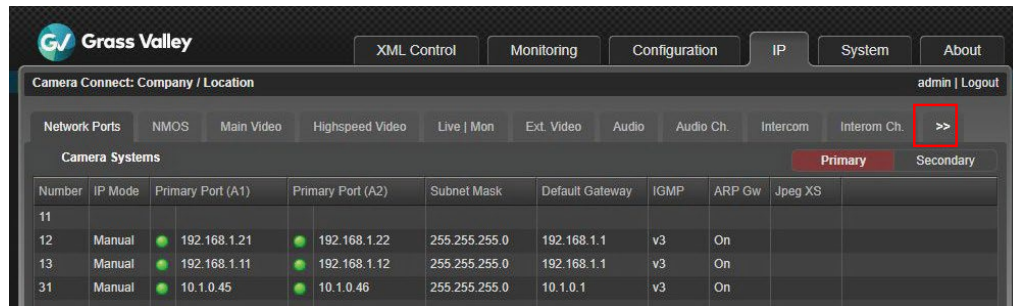
- Enter user name and password. The default login name is **admin** and the password **admin** (these can be changed after login).
- Click or tap Login. The Camera Connect user interface is shown.



### Note

All user entries in the Camera Connect application are case sensitive.

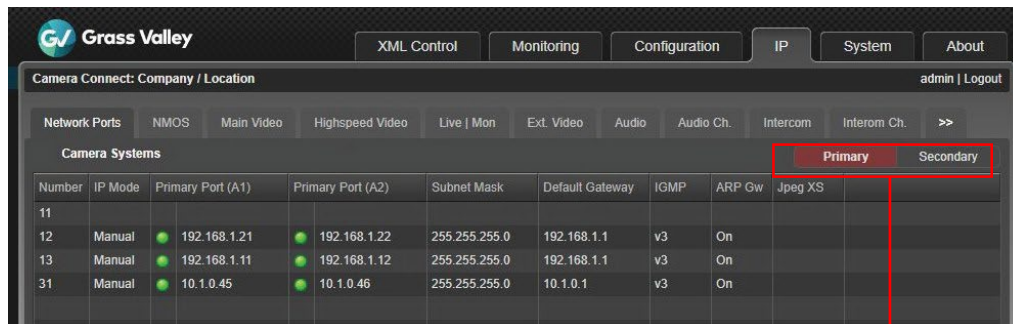
Click the **IP** tab at the top of the page; a row of sub tabs appears. The following sub tabs are used to configure the IP Media Network: Network Ports, NMOS, Main Video, Highspeed Video, Live | Mon, Ext. Video, Audio, Audio Ch., Intercom, Intercom Ch., PTP, Priv. Data, C2IP, Direct IP and Direct IP+.



## IP Media Network setup



### Network ports setup

The list of camera systems is shown, sorted by camera number. Click the **Network Ports** tab: Here you can configure (local) IP addresses, subnet mask and default gateway for Primary Port (A1) and Secondary port (B1). To change the network port selection, select **Primary** Primary or **Secondary** Secondary on the left upper corner of the Network Ports tab.



**Primary & Secondary Port selection**

The indicator(s) in front of the IP addresses show the status of the physical IP network connection:

Off	Port is not in use.
	Indicates a connection between the camera port and an IP switch port. <b>Note:</b> Please make sure the SFP modules used in the camera and the IP switch are the same (e.g. 10G / 25G / 100G)
	No connection.
IP Mode	Indicates whether the IP addresses are set manually or via DHCP.





**Note**

A green light does not indicate a *correct* communication link between the camera and the IP switch.

Click the camera system you want to set up. A popup window appears and you can edit the following parameters:

The screenshot shows a dialog box titled "Network Port settings (Primary)". It contains the following fields and options:

- Camera System: 31
- Primary Network:
  - IP Mode: DHCP (selected) / Manual
  - Port IP (A1): 10.1.0.45
  - Port IP (A2): 10.1.0.46
  - Subnet Mask: 255.255.255.0
  - Default Gateway: 10.1.0.1
  - IGMP: v2 (selected) / v3
  - ARP Default Gw: Off (selected) / On
- Buttons: Ok, Cancel

Port IP (A1) — this is the local IP address of Port A1 in the IP Media Network.

Port IP (A2) — this is the local IP address of Port A2 in the IP Media Network.

Subnet mask — depends on how large the media subnet is.

Default gateway — depends on the required network settings.



**Note**

Make sure to set unique IP addresses for each camera system in the IP Media Network to avoid network conflicts.

## NMOS

When using **NMOS** for connection management, there are several options to choose from:

- OFF
- mDNS
- DNS-SD
- Static

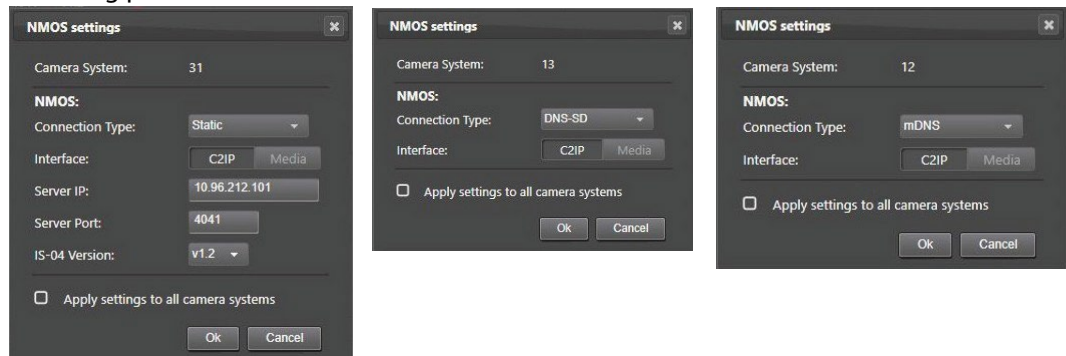
Number	Conn. Type	Interface	IP	Port	IS-04	Status	# Reg.	Active server
11		C2IP						
12	mDNS	C2IP				●		
13	DNS-SD	C2IP				●		
31	Static	C2IP	10.96.212.101	4041	v1.2	●		

The **Conn.Type** column indicates the settings done in the camera(XCU). The interface that is using NMOS can be selected as well; it is either C2IP or Media. IP Address, Port Number, Version and Status are visible when a connection is made with the NMOS server.

The indicator(s) in the Status column show the status of the NMOS server connection:

	Indicates a connection is made with the NMOS server.
	No connection.

Click the camera system you want to set up. A popup window appears and you can edit the following parameters:



## NMOS

Connection type — indicates the settings done in the camera. Options are; OFF, mDNS, DNS-SD and Static

Interface — NMOS over C2IP connector or via the IP Media Network

Server IP — IP address for NMOS server

Server Port — IP port number for NMOS server

IS-04 Version — NMOS IS-04 protocol version for NMOS server

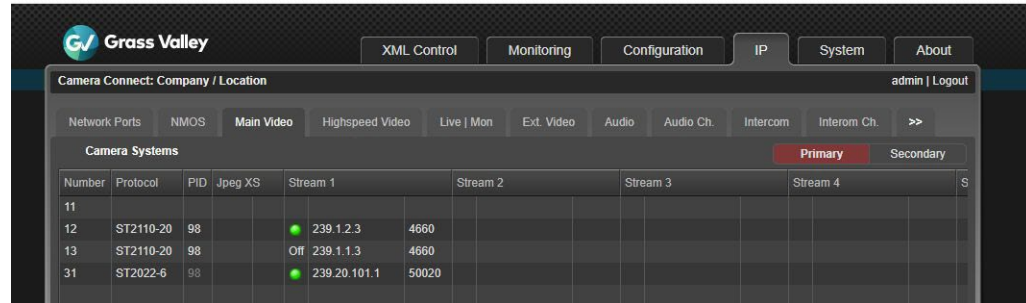


### Note

NMOS is applicable for both **Primary** and **Secondary** networks.

## Main video

In the **IP Main** tab you can set up IP address and port number for the Main video outgoing stream for the Primary and Secondary IP Media Network Port. The transport standard (protocol) for Main video is also selected in this tab next to the PID (Payload ID). JPEG XS compression can be selected as well for main Video.



Present indicator for Main video (sub) stream:

Off	(Sub) stream is disabled
	(Sub) stream is enabled and stream is active.
	(Sub) stream is enabled but stream is not active.

Normally, Main video is sent as a single IP stream but with uncompressed 4K the signal can be split into four (sub)streams.

Click the camera system you want to configure. A popup window appears in which you can set the following parameters:



### Main Video

**Enabled** — selects whether the Main video is included in the IP Media Network stream:

**Standard** — this is the transport standard for Main video. Select either *ST2022-6* ('embedded SDI with audio and ancillary data over IP') or *ST2110-20* ('Video essence over IP').

### Stream 1:

Dest. IP address — the destination IP address to which the stream is sent.

Dest. Port — the destination port number for the stream.

---



#### Note

When the same IP address is used for the Main video, Monitoring video and/or Live video streams, the port numbers for each stream **MUST** be set to different values.

Please apply the same settings for the Secondary network.

---

## Main video in 4K uncompressed mode

---



#### Note

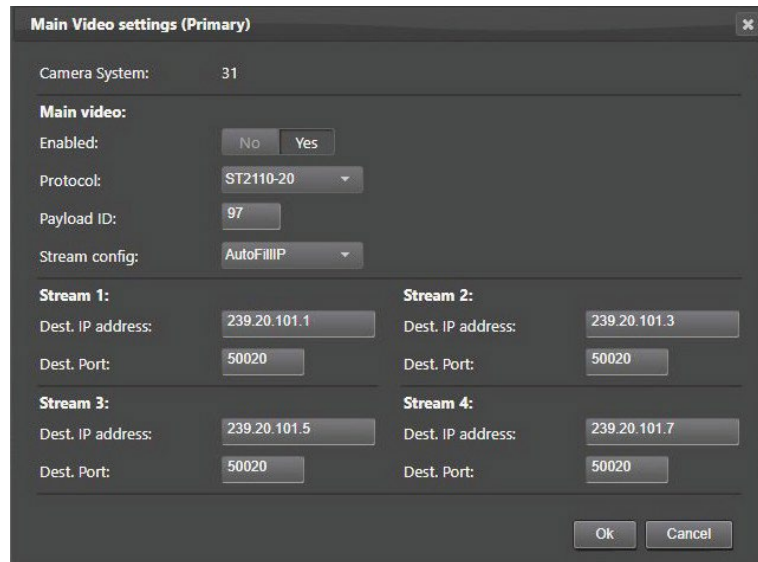
This section is only applicable when the LDX C135 / LDX C150 is connected to a UXF XCU (with IP connectivity enabled).

---

In the **IP Main A** tab you can set up IP addresses and port numbers for the four (sub)streams of the 4K uncompressed Main video outgoing stream. The transport standard for Main video is also selected in this tab.

Number	Standard	Stream 1	Stream 2	Stream 3	Stream 4	Stream 5
51		Off 10.11.5.73 9040				
52	ST2022-6	● 239.11.6.52 20002				
54		Off 10.11.5.73 9040				
73	ST2110-20	● 224.11.8.73 4002	● 224.11.8.75 4002	● 224.11.8.77 4002	● 224.11.8.79 4002	

When the window does not display the four (sub)streams as indicated in the example above, the compression mode needs to be set to *Uncompressed* first. To do this, click the camera system you want to configure. A popup windows appears. Set the 4K Output item to *Uncompr* (indicated in red below) and click **OK** to activate the changes.

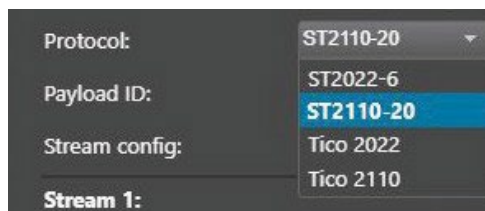


## Main Video

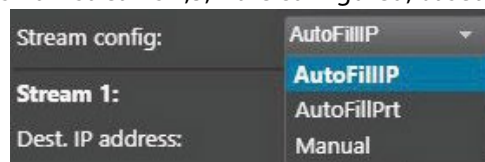
Enabled — selects whether the Main video is included in the IP Media Network stream:

- *Yes*: Main video is included in the IP Media Network stream
- *No*: Main video is NOT inserted into the IP Media Network stream (this is also indicated with the indication *off* in front of stream 1).

Protocol — this is the transport standard for IP Main Video. Select either *ST2022-6* ('embedded SDI with audio and ancillary data over IP') or *ST2110-20* ('Video essence over IP').



Stream config — defines how streams 2,3, 4 are configured, based on settings for stream 1:



- *AutofillIP*: the IP addresses for stream 2, 3 and 4 are automatically filled in based on the entered IP address for stream 1. The last digit of the IP address for Stream 1 is increased by 2 for the subsequent streams.
- *AutofillPrt*: the port numbers for streams 2, 3 and 4 are filled in based on the port number entered for stream 1. The port number is subsequently raised by 1. In case of a single destination unicast/multicast address, the port number of the first stream is entered and the port number for the subsequent streams is increased by 1.



**Note**

This is not applicable for receivers with two 10G ports. A single IP destination address causes the Ethernet switch to flood both ports with all four streams. This can only be used for 25G and 40G port receivers.

---

- When *Manual* (default setting) is selected you can enter the IP addresses and port numbers manually for all four (sub)streams.

**For streams 1 to 4**

IP address — the destination IP address to which the stream is sent. By default, use four different multicast IP addresses.

Port — the destination port number for the stream.

---



**Note**

When the same IP address for Main Video, Monitoring video and or Live video is used, the port numbers for each stream MUST be set to different values.

---

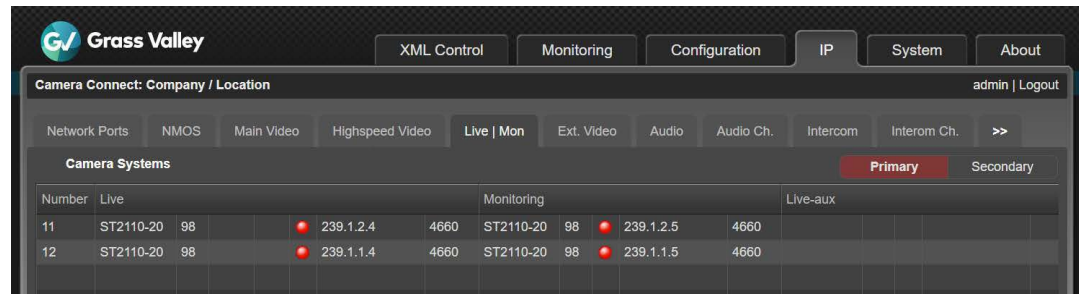
## IP Mon\Live tab

The list of camera systems is shown, sorted by camera number. In this tab Monitoring video and/or Live video outputs can be set up.

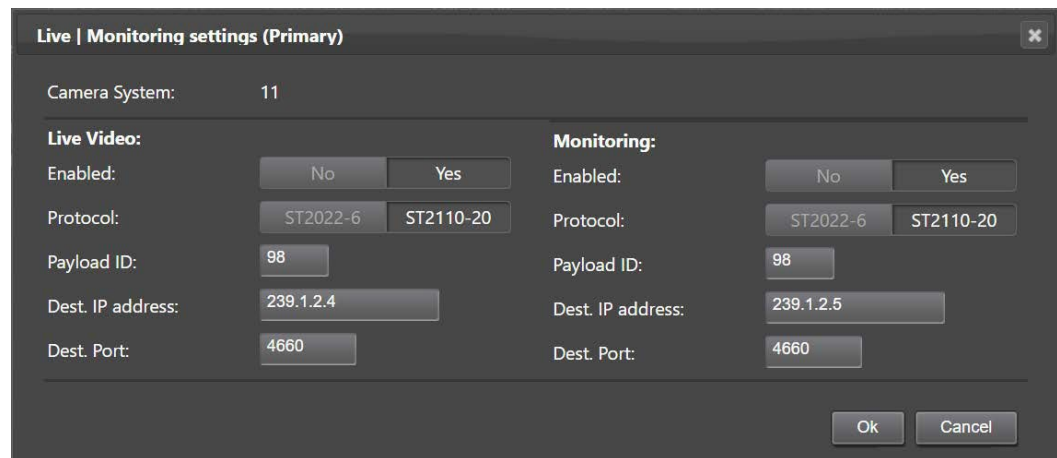


### Note

Live video is available as a selectable stream. In HD SDR operation the video mode is the same as Main video.



Click the camera system you want to set up. The edit popup window appears in which you can edit the following parameters:



## Live video



### Note

Live video is only present when HDR is enabled and/or when the XCU is running in a 4K video mode.

Enabled — selects whether the Live video is included in the IP Media Network stream:

- **Yes:** Live video is inserted into the IP Media Network stream.
- **No:** Live video is NOT inserted into the IP Media Network stream.

Protocol — this is the transport standard for Live video. Select either *ST2022-6* (embedded SDI with audio and ancillary data over IP) or *ST2110-20* (Video essence over IP).

Payload ID — shows the Payload ID.

Dest. IP address — the destination IP address for port B to which Live video is sent.

Dest. Port — the destination port number for Port B for Live video.

## Monitoring

Enabled — selects whether the Monitoring video is included in the IP Media Network stream:

- *Yes*: Monitoring video is inserted into the IP Media Network stream
- *No*: Monitoring video is NOT inserted into the IP Media Network stream (this is also indicated with the indication *off* in front of Stream 1).

Protocol — this is the transport standard for Monitoring video. Select either *ST2022-6* (embedded SDI with audio and ancillary data over IP) or *ST2110-20* (Video essence over IP).

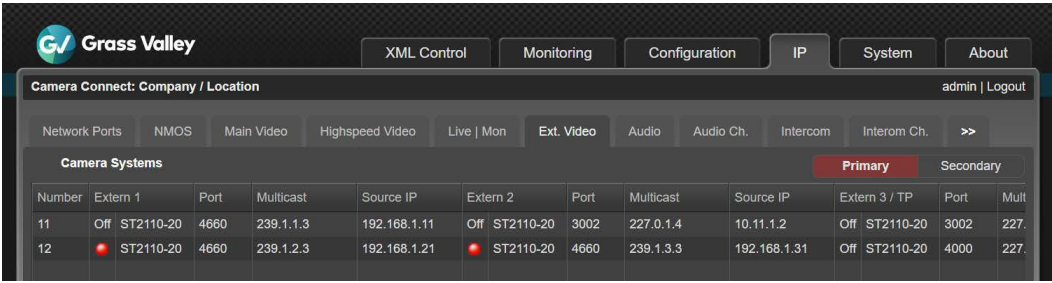
Payload ID — shows the Payload ID.

Dest. IP address — the destination IP address for Port A to which Monitoring video is sent.

Dest. Port — the destination port number for Port A for Monitoring video.

## External Video tab

The list of camera systems is shown, sorted by camera number. In this tab the incoming External 1, External 2 and External 3/Teleprompter video inputs can be set up.

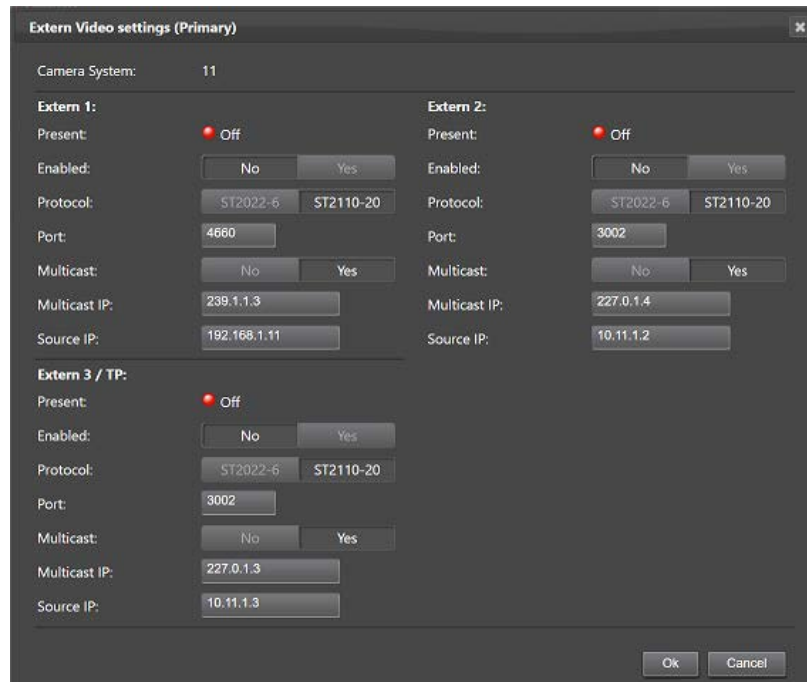


Camera Systems														
Number	Extern 1		Port	Multicast	Source IP	Extern 2		Port	Multicast	Source IP	Extern 3 / TP			
	Present	Transport				Present	Transport				Present	Transport		
11	Off	ST2110-20	4660	239.1.1.3	192.168.1.11	Off	ST2110-20	3002	227.0.1.4	10.11.1.2	Off	ST2110-20	3002	227.
12	●	ST2110-20	4660	239.1.2.3	192.168.1.21	●	ST2110-20	4660	239.1.3.3	192.168.1.31	Off	ST2110-20	4000	227.

The Extern 1, Extern 2 and Extern 3 / TP columns show the present indicator, transport standard, port number and Multicast IP address for each incoming video stream.



Click the camera system you want to set up. The edit popup window appears in which you can edit the following parameters:



### For Extern 1, Extern 2 and Extern 3 / Teleprompter:

Present — the present indicator can have the following status indications:

<input type="radio"/> no indication	Stream is not present or not available.
<input checked="" type="radio"/> Yes	Stream is present.
<input checked="" type="radio"/> Unsupported format	Stream is present but audio has an unsupported format.
<input checked="" type="radio"/> No	Stream is not present or an error has occurred.

Protocol — this is the expected transport standard for the incoming video stream. Select either *ST2022-6* or *ST2110-20*;

Port — the receiving port number for the video stream.

Multicast — Yes or No. Select whether you want to use multicast or not.

Multicast IP — the receiving multicast IP address (when Multicast = Yes)

Source IP — shows the source IP address.



#### Tip

It is recommended to use port numbers in the 1000..49152 range.

## IP Audio tab



### Note

The LDX C135 / LDX C150 Compact camera has limited possibilities on the audio streams. The compact camera can only send or receive audio intercom streams via IP or embedded audio to/from the SDI video BNC's. (No analogue Intercom inputs or outputs available. The top BNC doesn't support AES audio in.)

The list of camera systems is shown, sorted by camera number. In this tab the outgoing and incoming IP Audio streams can be set up.

The screenshot shows the Grass Valley IP Audio tab interface. At the top, there are navigation tabs: XML Control, Monitoring, Configuration, IP (selected), System, and About. Below these is a header for 'Camera Connect: Company / Location' with an 'admin | Logout' link. A secondary set of tabs includes Network Ports, NMOS, Main Video, Highspeed Video, Live | Mon, Ext. Video, Audio (selected), Audio Ch., Intercom, and Intercom Ch. The main content area is titled 'Camera Systems' and features a table with columns for Number, Input, Port, Multicast, Source IP, Channels In, Output, PID, Port, Destination IP, Channels Out, and a Primary/Secondary status column. Two rows of data are visible:

Number	Input	Port	Multicast	Source IP	Channels In	Output	PID	Port	Destination IP	Channels Out	Primary	Secondary
11	Off	3000	230.0.0.3	10.11.1.4	2	3 ms	96	5004	239.1.2.1	8	1 ms	
12	Off	5003	No	10.11.1.4	8	3 ms	96	5004	239.1.1.1	8	1 ms	

The columns show relevant information for both outgoing (on Ports A and B) and incoming streams.

Click the camera system you want to set up. The edit popup window appears in which you can edit the following parameters:

The screenshot shows the 'Audio settings (Primary)' popup window for camera system 11. It is divided into two main sections: 'AES67 Audio In:' and 'AES67 Audio Out:'. The 'AES67 Audio In:' section includes: Present (Off), Enabled (No/Yes), Port (3000), Multicast (No/Yes), Multicast IP (230.0.0.3), Source IP (10.11.1.4), Channels (2), and Buffer size (3 ms). The 'AES67 Audio Out:' section includes: Status (Off), Enabled (No/Yes), Payload ID (96), Destination Port (5004), Destination IP (239.1.2.1), Channels (8), and Packet Time (1 ms). At the bottom, there is a checkbox for 'Apply settings to all camera systems' and 'Ok' and 'Cancel' buttons.

### AES67 Audio In

Present — indicates whether an AES67 Audio input is present on the IP Media Network. It can have the following status indications:

<input type="radio"/> no indication	Stream is not present or not available.
<input checked="" type="radio"/> Yes	Stream is present.
<input type="radio"/> Unsupported format	Stream is present but audio has an unsupported format.
<input type="radio"/> No	Stream is not present or an error has occurred.

Enabled — selects whether AES67 Audio input is included in the IP Media Network stream:

- *No*: AES67 Audio is NOT inserted into the IP Media Network stream.
- *Yes*: AES67 Audio is inserted into the IP Media Network stream.

Port — the receiving port number for the video stream.

Multicast — Yes or No. Select whether you want to use multicast or not.

Multicast IP — the receiving multicast IP address, when Multicast = Yes.

Source IP — shows the source IP address.

Channels — Number of audio channels that is inserted into AES67 Audio input. Can be 2,4,6, 8 or 16 channels.

Buffer Size — Selects buffer size for AES67 Audio input. Can be 0.33 ms, 0.67 ms, 1 ms, 2 ms, 3 ms, 4 ms, 8 ms or 15 ms.

### AES67 Audio Out

Enabled — selects whether AES67 Audio output is included in the IP Media Network stream:

- *No*: AES67 Audio is NOT inserted into the IP Media Network stream.
- *Yes*: AES67 Audio is NOT inserted into the IP Media Network stream.

Channels — Number of audio channels that is inserted into AES67 Audio output. Can be 2,4,6, 8 or 16 channels.

Packet Time — Selects packet time of the AES67 Audio packets.



#### Tip

Check the 'Apply settings to all camera systems' box and press OK to apply the (changed) settings in this window to all camera systems (where applicable).

## IP Intercom tab



### Note

The LDX C135 / LDX C150 Compact camera has limited possibilities on the audio and/or intercom streams. The compact camera can only send or receive audio intercom streams via IP or embedded audio to/from the SDI video BNC's. (No analogue Audio inputs or outputs available.)

The list of camera systems is shown, sorted by camera number. In this tab the incoming and outgoing IP Intercom streams can be set up.

Camera Systems												
Number	Input	Port	Multicast	Source IP	Channels In	Prog Src	Output	PID	Port	Destination IP	Channels Out	
11	Off	5004	239.31.3.101	10.11.1.5	2	3 ms	Intercom	96	5004	239.1.2.2	8	1 ms
12	AES67	5004	No	10.11.1.5	8	3 ms	Audio	96	5004	239.1.1.2	8	1 ms

Click the camera system you want to set up. The edit popup window appears in which you can edit the following parameters:

**Intercom settings (Primary)**

Camera System: 11

Source: AES67

Program source: Intercom Audio

**AES67 Intercom In:**

Present: Off

Enabled: No Yes

Port: 5004

Multicast: No Yes

Multicast IP: 239.31.3.101

Source IP: 10.11.1.5

Channels: 2

Buffer size: 3 ms

**AES67 Intercom Out:**

Status: Off

Enabled: No Yes

Payload ID: 96

Destination Port: 5004

Destination IP: 239.1.2.2

Channels: 8

Packet Time: 1 ms

Apply settings to all camera systems

Ok Cancel

Source — Selects input source for intercom Eng and Prod channels. Analog = from intercom subD-connector at backpanel of XCU (Cradle); Ext1 = from embedded SDI audio

of external video input 1 (EXT1). AES67 = from AES67 Intercom stream on the IP Media Network.

Program source— Intercom or Audio.

### **AES67 Intercom In**

Present — indicates whether AES67 intercom input is present on the IP Media Network.

Enabled — selects whether the AES67 intercom output is included in the IP Media Network stream:

- *No*: AES67 intercom is NOT inserted into the IP Media Network stream (this is also indicated with the indication *off* in front of Stream 1).
- *Yes*: AES67 intercom is inserted into the IP Media Network stream.

Port — shows the port number.

Multicast — Yes or No. Select whether you want to use multicast or not.

Multicast IP — the receiving multicast IP address, when Multicast = Yes.

Source IP — shows the source IP address.

Channels — Number of audio channels that is inserted into AES67 intercom input. Can be 2,4,6, 8 or 16 channels.

Buffer Size — Selects buffer size for AES67 intercom input. Can be 0.33 ms, 0.67 ms, 1 ms, 2 ms, 3 ms, 4 ms, 8 ms or 15 ms.

### **AES67 Intercom Out**

Enabled — selects whether the AES67 intercom output is included in the IP Media Network stream:

- *No*: AES67 intercom is NOT inserted into the IP Media Network stream (this is also indicated with the indication *off* in front of Stream 1).
- *Yes*: AES67 intercom is inserted into the IP Media Network stream.

Payload ID — shows the Payload ID.

Channels — Number of audio channels that is inserted into AES67 intercom output. Can be 2,4,6, 8 or 16 channels.

Destination Port — the destination port number for Port B for AES67 intercom output.

Destination IP — the destination IP address for port B to which AES67 intercom output is sent.

Packet Time — Selects packet time of the AES67 intercom output audio packets.



#### **Tip**

Check the 'Apply settings to all camera systems' box and press OK to apply the (changed) settings in this window to all camera systems (where applicable).

---

### AES67 Channel mapping for audio and intercom

For the audio and intercom audio channel mapping on the IP Media Network, refer to the table below:

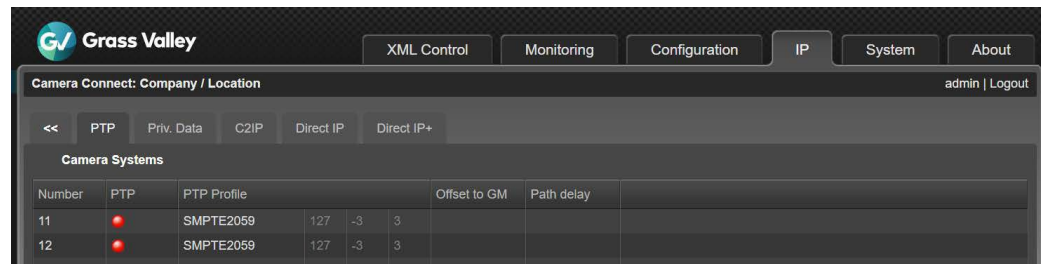
	Ch 1	Ch 2	Ch 3	Ch 4	Ch 5 to 8/16
Output stream					
Audio A1	Cam Audio 1	Cam Audio 2	Cam AES1	Cam AES2	(digital silence)
Intercom A1	Eng	Prod	(digital silence)	(digital silence)	(digital silence)
Input stream					
Audio A1	Prog intercom	Prog spare	(not used)	(not used)	(not used)
Intercom A1	Eng	Prod	Prog intercom	Prog spare	(not used)

### PTP tab

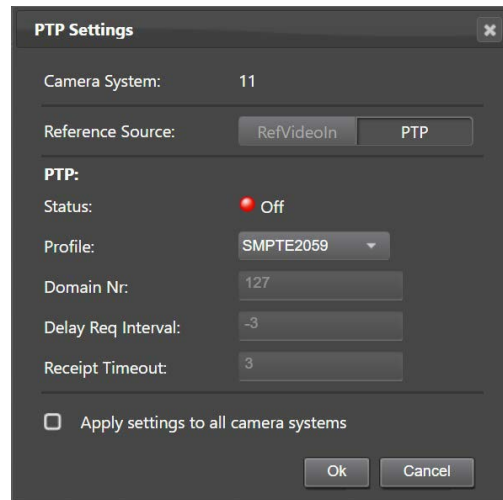
The XCU can be synchronized over the IP Media Network to a PTP grandmaster clock using the Precision Time Protocol (PTP).

- The PTP sub tab can be found by clicking the double arrow (<<) at the left. The PTP sub tab is located in the first group of tabs.

The list of camera systems is shown, sorted by camera number. In this tab you can set up synchronization to a PTP grandmaster.








Click the camera system you want to set up. The edit popup window appears in which you can edit the following parameters:



Reference Source — select the source of the video reference to which the camera system locks. When *RefVideoIn* is selected the camera system locks to the Reference input signal on the XCU BNC REF IN connector (can be HD Tri-Level sync or Black Burst), when *PTP* is selected the camera system configured to lock to a PTP grandmaster reference clock on the IP Media Network.

## PTP

Status — shows PTP locking status. The following status indications are possible:

 locked	XCU is locked to the PTP grandmaster clock.
 calibrating	XCU has found a PTP grandmaster and is calibrating to the grandmaster.
 listening	XCU is searching for a PTP grandmaster on the IP Media Network
 disabled	PTP is switched off (for example when Reference Source = RefVideoIn)
 off	XCU is not connected to the IP Media Network.

Profile — select the PTP protocol/domain used for locking to the PTP grandmaster; either *SMPTE2059*, *AES67*, *AES-SMPTE* or *User*.

When *User* is selected the parameters *Domain Nr*, *Delay Req Interval* and *Receipt Timeout* must be set. For more information about these parameters, refer to the IEEE1588 PTP (Precision Time Protocol) specification.



**Tip**

Check the 'Apply settings to all camera systems' box and press OK to apply the (changed) settings in this window to all camera systems (where applicable).

---



# 5

## Operating Instructions

### Using the camera

To operate the camera, attach a lens and any other accessories to the camera. Attach a Hybrid OpticalCON DUO SPMTE cable (when used) and any other necessary cables to the camera.

If no Hybrid cable is used LC fibers can be placed in the OpticalCON DUO connector to connect the camera directly to a network or XCU.

Refer to the ["Installation" on page 15](#) for more details.

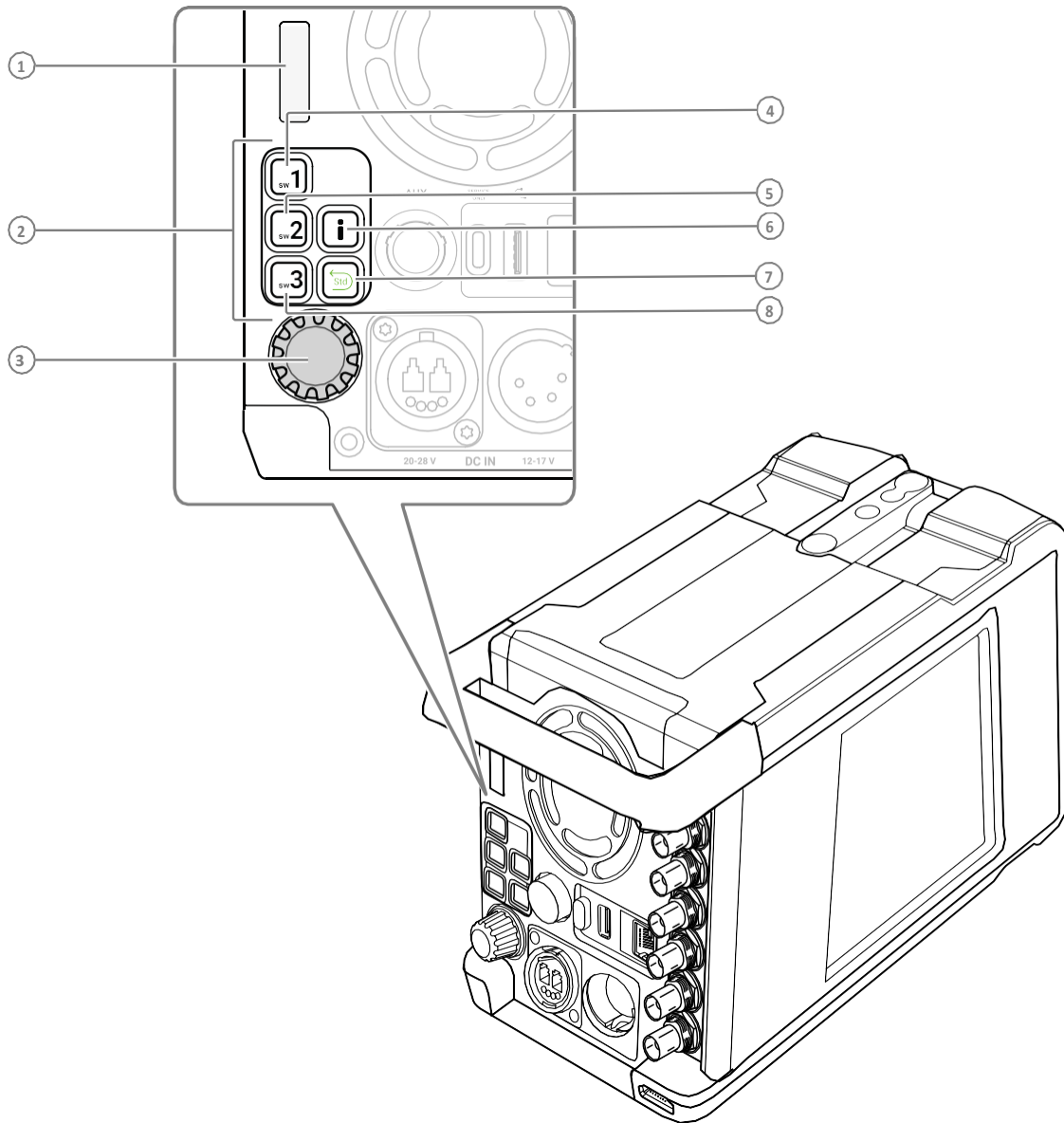


#### Note

If you cannot access some camera functions or you wish to restrict access, refer to ["Access and security" on page 52](#).

---

## Location of controls



### [1] Camera display

Shows Camera number, camera mode, IP address.

### [2] On Air indicators

The built-in LEDs of the SW1, SW2 and SW3 buttons show the On Air status of the camera.

### [3] Rotary/Select button

Used to navigate the camera menu and to select the camera number.

### [4] User button (SW1)

Can be assigned to Call, Auto White Balance, Ext or ND Up.

**[5] User button (SW2)**

Can be assigned to Call, Auto White Balance, Ext or ND Down.

**[6] Info button and indicator**

Press to view information on the monitoring screen.

The indicator LED in the button indicates if there is a system error or warning. When the info button is pushed once, the first info page with most important camera settings is shown in combination with the IP diagnose indicators on the left side of the camera. Press again to show the next IP info

page with more detailed info about the IP link. The IP diagnose indicators stay active.

The diagnose page and the IP diagnose indicators extinguish after a few seconds or after the info button is held for more than 1 second. The number of seconds can be programmed in the camera menu.

**[7] STD FILE (green) button**

Press and hold for two seconds to recall the camera's standard values.

**[8] SW3 button**

Can be assigned to Back, Call, Col Bar, Auto White Balance or Ext.

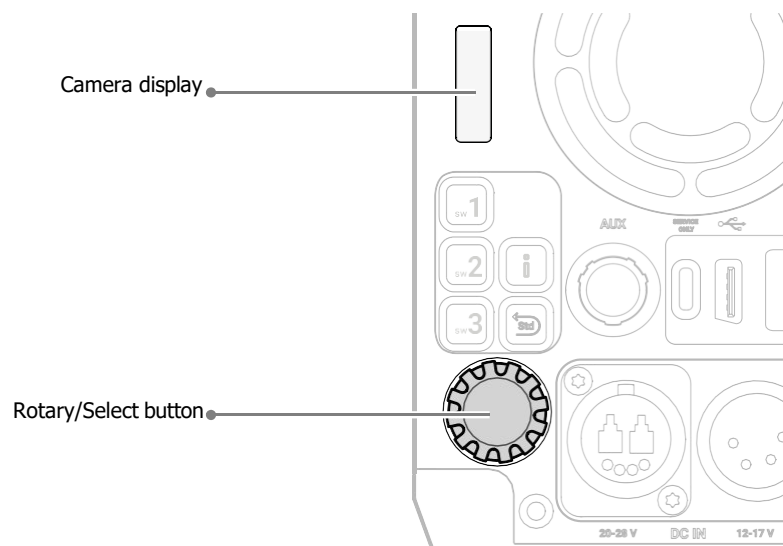
## Using the camera menu

The camera menu can be viewed on the HDMI viewing output or BNC-E, and is navigated in two ways:

- Using the menu switches connected to the Aux connector (e.g. when camera is mounted in a crane or if the camera is build in a position were it is not possible to reach the Menu button.)
- Using the rotary/select button which is located at camera's back panel.

**Note**

The Camera display is only informative, the settings cannot be changed. Use the camera menu to change settings.



The functions of the camera are grouped into a structure of menus and sub-menus. Each of the menus gives you access to a particular group of functions. Spend some time using the controls and menus to discover the various functions. You will quickly learn to operate the camera intuitively.



**Note**

Some of the menu items may not appear if the user level is not set to 3.

---

## Entering the camera menu

Press the rotary/select button after the camera is switched on. The message `MENU OFF` appears on the viewing channel. Press the rotary/select button again while this text is showing, the `MAIN` menu appears.

```
▶ Menu Off           Exec
  Installation menu >>
  Operator Toolbox  >>
  Production Setup  >>
  Creative Control  >>

Main

Diagnostics        >>
```

The `MAIN` menu screen shows five items. The name of the menu is shown below these. More items are hidden but become visible when you scroll down using the rotary/select button. The cursor shows your position in the menu. The rotary/select button moves the cursor up and down.

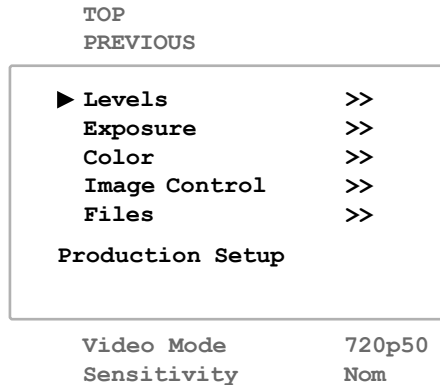
## Finding your way

Use the rotary/select button to move the cursor through the menu items. If a double arrow (`>>`) is visible, then pressing the rotary/select button brings you one level lower in the menu system. Only five items are visible in each menu. Scroll up or down to see any additional items. When you first enter a menu (other than the `MAIN` menu) the cursor is positioned next to the first item.

The `TOP` and `PREVIOUS` items are not immediately visible but are located above the first item. Use the rotary/select button to scroll up to them.

- Select `TOP` to bring you back to the `MAIN` menu.
- Select `PREVIOUS` to go back to the menu that you were in before the current one.

The `PRODUCTION SETUP` menu, for example, shows the items displayed when you first enter the menu. The other items are available by scrolling up or down with the rotary/select button.



## Leaving the camera menu

If you are deep within the menu structure, the best way of leaving the menu is:

- 1 If necessary move the cursor to the left column with the rotary/select button.
- 2 Scroll upwards until the cursor points to `TOP` (this is the `MAIN` menu).
- 3 Press the rotary/select button. The cursor now points to the `MENU OFF` item of the `MAIN` menu.
- 4 Press the rotary/select button again to leave the camera menu.

If you do not use the menu it disappears after a few seconds. This delay can be programmed in the `OPERATOR TOOLBOX` menu.

When you press the rotary/select button again you enter the camera menu at the last position of the cursor and not at the top of `MAIN` menu.



### Tip

To prevent confusion the next time you enter the camera menu, it is advisable to leave the menu by returning to the `MAIN` menu and selecting `MENU OFF`.

## Making value changes

To find out where you have to go to change a function, consult the ["Camera Menu Reference" on page 67](#) to discover under which menu group or sub-group the function you want to change is located. If the cursor points to an item (and there are no double arrows to indicate a sub-menu) then the item pointed to has a value. This value can be:

- a toggle value (only two values, like on and off)
- a list value (more than two values)
- an analog value (in most cases variable from 0 to 99)
- unavailable.

If the value is unavailable it cannot be changed. This is indicated by three dashes (- - -). This can occur, for example, when a function is switched off. The analog values associated with that function are then unavailable.

If there are only two values associated with the function, then pressing the select button toggles between these two values. If a value is displayed next to a function that is one of several possible values, then pressing the rotary/select button places the cursor in a list menu indicating the value currently selected. Use the rotary/select button to point to a new value. Press the select button to return the cursor to the function list.

If an analog value is displayed next to a function name, then pressing the rotary/select button places the cursor in front of the value and the rotary/select button is used to change the analog value. Press the rotary/select button to return the cursor to the function list.

## Camera menu control with OCP or CGA

If the camera is connected to an XCU, the camera menu can be remotely controlled via the OCP or CGA.

With **VF Mon Mode** settings you can select on which output the menu is visible if controlled remotely on a OCP or CGA.

**VF Mon Mode** can be found in the camera menu under **Operator Toolbox / Menu settings / VF Mon Mode**.

With **VF Mon Mode** set to **Loc**, the camera menu is only available on the XCU-MON output. The camera operator will not be distracted if the menu is operated remotely.

With the **VF Mon Mode** set to **Loc + Rem**, the camera menu is available on both XCU MON output and Camera VF/MON output when operated remotely.

If the camera menu is controlled via the rotary button or Aux-connector input switches on the camera, the menu will always be visible on the camera only.

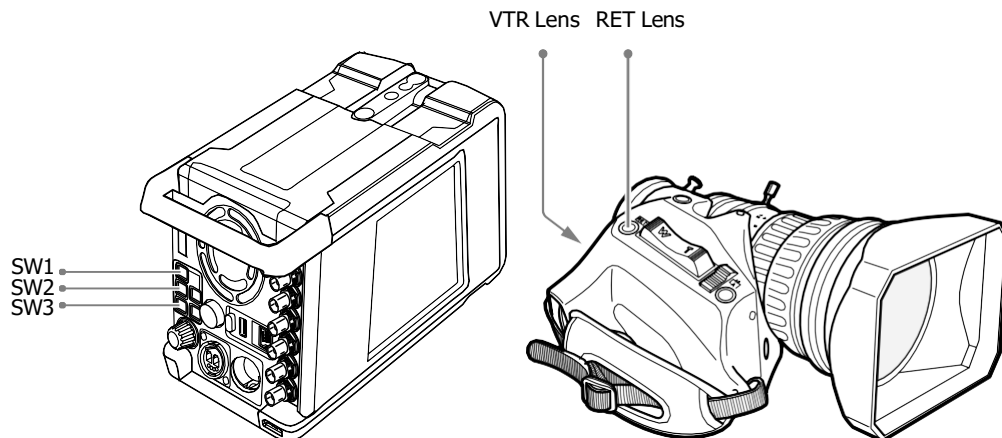
## Undoing changes

If you make changes to the video settings in the camera menu and you decide not to keep them, use the green STD File button to recall a standard set of values for the video parameters.

## User buttons

The camera has three assignable user buttons on the back panel (SW1, SW2 and SW3). The operation of the RET and the VTR button on the lens can also be assigned.

The assignment and mode (momentary or alternating) of these buttons are set in the OPERATOR TOOLBOX > USER BUTTONS menu.



User button SW1 can be assigned to:

- Send Call signal (Call) - default
- Auto White Balance (AWhite)
- ND+ (ND Filter Up)
- External (Ext)

User button SW3 can be assigned to:

- Menu Back (Back) - default
- Send Call signal (Call)
- Auto White Balance (AWhite)
- Color Bar (ColBar)
- External (Ext)

User button SW2 can be assigned to:

- Send Call signal (Call)
- ND- (ND Filterwheel Down)
- Color Bar (ColBar)
- Auto White Balance (AWhite)
- External (Ext) - default

Lens Button VTR can be assigned to:

- Send Call signal (Call) - default

Lens button RET can be assigned to:

- External (Ext)

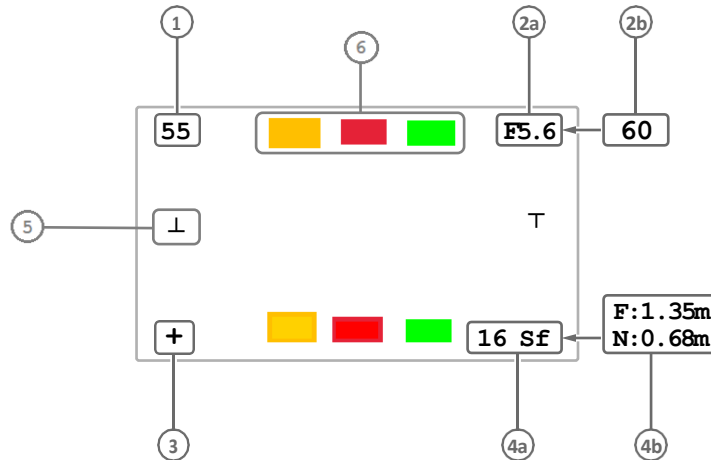
## Camera Display

By default, the camera display indicates the camera number. However, if the Info button is pressed, the display will show additional information including the camera number, transmission mode (IP, XCU or Local) and the IP address. To revert to displaying solely the camera number or info function must be switched off.

## On screen information

### Indicators

Navigate to the OPERATOR TOOLBOX > INDICATORS menu and select the on screen indicators you want to display on the viewing output. The following on screen indicators can be set up:



#### [1] Zoom indicator

Shows the percentage to which the lens has been zoomed out or in, ranging from 0 (wide angle) to 99 (telezoom). It shows 50 if the lens does not support this feature.

#### [2a] Iris indicator

Shows the iris opening (or F-value) of the lens. Typical range is from F1.4 to F25. The indicator shows 'Closed' when the lens is closed or capped.

#### [2b] Focus indicator

Shows the percentage of the lens focus distance. Typical range is from 0 (close-up) to 99 (infinity).

#### [3] Precision Focus indicator

Shows the Precision Focus indicator (if supported by the lens).

#### [4a] Filter indicator

Shows the selected optical filter(s).

#### [4b] Depth of Field indicator<sup>1)</sup>

Shows Depth of Field (DOF) of the current lens position. F = Far limit in meters, N = near limit in meters.

<sup>1)</sup> Must be supported by the lens.

#### [5] Horizon indicator

In the middle left and right a horizon indicator turns green if the camera is level within a few degrees. If the camera is not level the indicator turns white and will get bigger as the camera angle is increasing.

#### [6] Tally indicator

On screen tally indicator shows the Yellow, Red or Green Tally status.



**Note**

When the Iris indicator (2a) is switched on, the Focus indicator (2b) is automatically switched off and vice versa. When the Filter indicator (4a) is switched on, the Depth of Field indicator (4b) is automatically switched off and vice versa.

---

### Left side of the camera

Transmission diagnose info can be made active by pressing the Info button on the back.

Indicator:	Color/Status:	Description:
CABLE	Yellow	Camera is in XF- Cable mode
	Purple	Camera is in Straight IP mode
	Orange	Camera is in Direct IP mode
IP	Off	No (Q)SFP module present
	Red	(Q)SFP module mismatch
	Yellow	(Q)SFP module is present but no network link
	Green	(Q)SFP module is present and the network link is OK
RX	Off	Not in used
	Red	Zero Mbits/sec received
	Yellow	Camera is receiving errors or sec received > "0"
	Green	RX Stream valid
TX	Off	Camera is not transmitting data (TX = 0 Mbps)
	Red	TX Stream is enabled but no ARP messages are received from receiver in unicast mode, or: unicast destination port number does not match the receiver's port number
	Green	TX Stream is enabled and delivered
LOCK	Red	Camera is not locked
	Yellow	Reference signal present but camera is not locked
	Green	Camera is locked
CNTRL	Off	No camera control link
	Red	Camera control link not valid
	Green	Camera control link OK

### Right side of the camera

The Info button will also activate the (Q)SFP status indicators on the right side of the camera.

Color/Status:	Description:
Off	No (Q)SFP module is placed
Yellow	(Q)SFP module is placed but connection is not available
Green	(Q)SFP is placed and connection is available

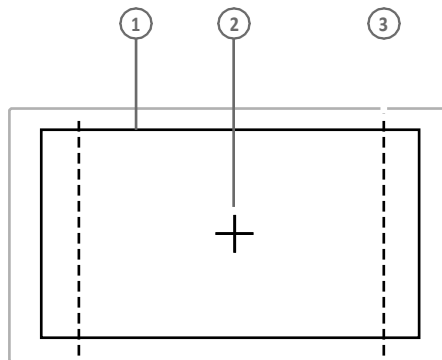
### Back Side of the camera

The back-light of the buttons will indicate if they are active. The back-light of the SW1, SW2 and SW3 buttons will become red if the camera is ON AIR.



## Marker indicators

Navigate to the `OPERATOR TOOLBOX > INDICATORS` menu and select the marker indicators you want to display on the viewing output. The following marker indicators can be set up:



### [1] Safe Area

Shows the minimum area that can be seen on a television screen. Different aspect ratios for the safe area can be set in the menu.

### [2] Center Cross

Marks the center of the picture.

### [3] Marker

A dotted white line or a shaded area that shows the limits of a 4:3, 15:9 or 14:9 picture.

## Focus assist

The focus assist function can be switched on or off in the `OPERATOR TOOLBOX` menu. This function adds a motion effect to objects in sharp focus.

## Lens operation

### Back focus adjustment

When you fit a lens to the camera you may need to adjust the back focus. Refer to the lens manufacturer's instructions to find out how to do this. The `LENS` menu allows you to choose and, if necessary, adjust other parameters to suit your lens type and your personal preferences.

## CLASS

The Chromatic Lens Aberration and Sharpness Solution (CLASS) compensates for chromatic aberration by using lens data. Most major lens manufacturers support this feature.



**Note**

Make sure that the lens interface is set to Digital in the CONFIGURATION > LENS > LENS SETTINGS > LENS IF TYPE menu.

---

When a lens is attached to the camera for the first time, the camera reads the lens data at startup. This is done only once and may take some time to finish. Reading the lens data is a background process and does not influence normal camera operation.

Some lenses also require a manual calibration of the lens ring positions. If this is the case, a message ("CLASS: Turn lens rings") is briefly shown on the viewing output. Turn both zoom and focus ring all the way from one end to the other.

After startup when CLASS is active, a message ("CLASS: Active") is shown on the viewing output.

---



**Note**

In the (very rare) occasion that lens aberration data becomes corrupted, a reset of the lens data can be forced:

Go to the CONFIGURATION > LENS > LENS SETTINGS > CLASS > RESET CLASS DATA menu and select Start.

---

## Auto Iris

When the amount of light in the scene varies (for example when shooting outdoors) the Auto Iris function can be switched on to automatically and continuously measure light levels and adjust Iris for optimal exposure.

When your lens has an Auto Iris switch, make sure it is set to the on position.

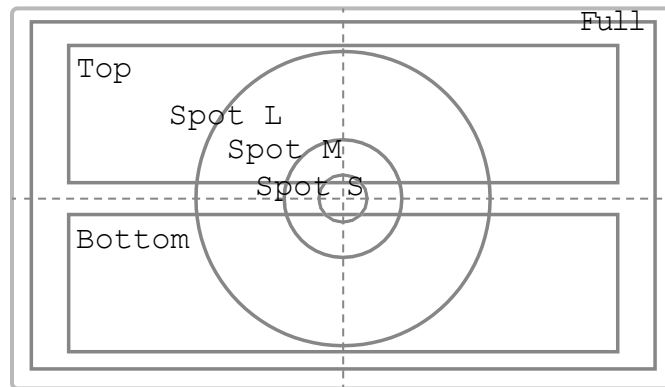
To switch Auto Iris on, go to the **Production Setup > Exposure > Iris > Auto Iris** menu and set the **Auto IRIS** function to On.

The default settings for Auto Iris are suitable for most situations but some situations may require different settings.

### Setting the Auto Iris measurement area

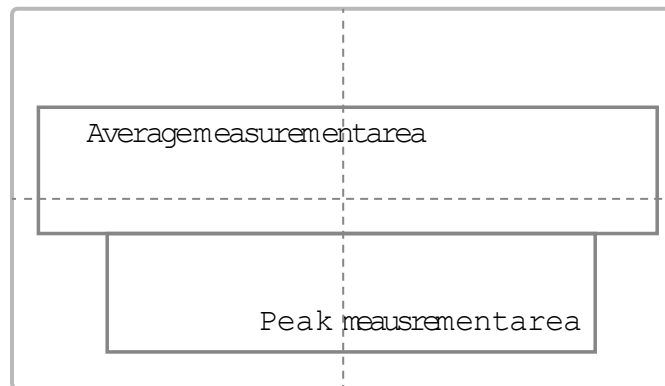
The user level must be set to Service to access this function.

Select the Auto Iris measurement area using the **Area** function in the **Auto IRIS** menu. The following areas can be selected:



- **Top**—covers the top half of the screen, or 50% of the total surface. This is the default setting.
- **Spot S**—small center spot, covers 5%.
- **Spot M**—medium center spot covers 10%.
- **Spot L**—large center spot, covers 25%.
- **Full**—full screen measurement, covers 100%.
- **Bottom**—covers the lower half of the screen, or 50% of the total surface.
- **Custom**—a customer defined measurement area.

When **Area** is set to Custom, a customer defined area can be defined under the **Custom Area** sub menu by entering top, bottom, left and right parameters for two separate measurement areas: one for Peak and one for Average values. Auto Iris combines the readings from these two areas and uses the outcome to control the Iris opening.



### Changing Auto Iris advanced settings



#### Note

The user level must be set to 3 to access this function.

---

- **Peak/Average**—the Auto Iris function measures both the average light level and the peak light level of the image and combines these two readings to control Iris. Use the

Peak/Average function to shift between more Peak mode (lower values) or more Average mode (higher values). The default value is 64 which is slightly more Average than Peak measurement.

- **Auto Iris Setpoint**—sets the target exposure level for Auto Iris. The default value is 35—higher levels give higher Iris value and thus a brighter picture.
- **Momentary Iris Setpoint**—sets the target exposure level for Momentary Iris (not a relevant setting for Auto Iris)

**Auto Iris Gain**—sets the speed at which the Auto Iris reacts to changing lighting conditions. 5 = slow (default), 10 = fast.

## Extended Iris

The Extended Iris function automatically adjusts the video signal level by adjusting the iris opening, the gain level and the exposure time to suit the ambient lighting conditions.



### Note

Make sure that the SW2 button is assigned to Elris ('Extended Iris') in the OPERATOR TOOLBOX > USER BUTTONS > SW2 menu.

To switch on the Extended Iris function use the assignable button SW2 at the back panel of the camera. When this button is pressed once, the current value of the Extended Iris function is displayed. Press the button twice in quick succession to toggle between on and off.

Settings for the Extended Iris function can be changed in the PRODUCTION SETUP > EXPOSURE > EXTENDED IRIS menu.



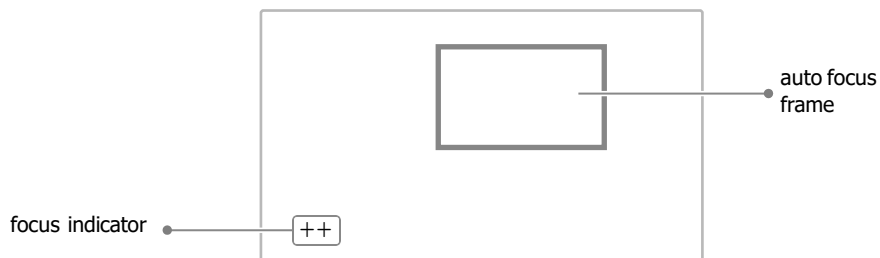
### Tip

You can use Extended Iris to maintain a constant depth of field while shooting.

## Precision focus

The camera supports the precision focus feature which is offered by some advanced (digital) lenses. This system automatically focuses the image within a user defined focus frame on the screen. When precision focus is enabled on the lens, the focus frame is

superimposed on the viewing output image. The frame can be moved and resized by the controls on the lens or on the focus handle.



An indicator in the bottom left corner of the viewing output shows the current focus information:

Indication	Focus information
--	focus is behind
-	focus is behind
0	area is in focus
+	focus is in front
++	focus is in front

Refer to the documentation of the lens manufacturer for more information about the precision focus feature.

## Lens indicators on the viewing output

The zoom indicator in the viewing output shows the percentage to which the lens has been zoomed out or in, ranging from 0 (wide angle) to 99 (telezoom). It shows 50 if the lens does not support this feature.

The focus indicator shows the percentage of the focus distance range from 0 (close-up) to 99 (infinity). This feature is only available when a digital lens is used.

## Communication

### Call

Press the assignable button (SW1, SW2 or SW3) on the back panel to send a signal to the operational panels in the production control room calling for attention.

## Tally

Depending on the Installation / Camera Mode (IP, XCU or Local) the Tally can be controlled and viewed in different ways:



### Tally outputs

- Backlight of SW1, SW2, SW3 is used for Red, Yellow or Green Tally.
- On screen Tally information in the Mon signal can be switched on in the Operator/Indicator/Viewfinder menu.
- Tally outputs on the Aux Connector can be used to connect a customized Tally-light if a separate tally light is required. A LED can be connected directly between these pins and the ground pin. (see AUX connector schematics on page 128).

To enable these outputs, switch on the Aux Out settings: Configuration/Tally/Aux Out.

- Embedded in the SDI outputs.

Enable this in Configuration/Tally/SDI embedding.

### Tally inputs

Depending on the Installation / Camera Mode the Tally input source can be set:

- IP: Ethernet, IS-07, Serial and GPIO
- XCU: No source selection; Tally control from XCU
- Local: Ethernet, Serial and GPIO

## Managing files

You have access to many different files. The **Configuration > Files** menu is used to recall and store these files. There are four types of files:

- Scene files
- Operator files
- Lens files
- Media files

A scene file contains values related to the picture performance. The operator file contains values related to the setup of the camera (viewfinder and configuration parameters). Lens files contain lens related settings. Media Files contain values related to the IP Media Network such as IP addresses and settings.

The tables in Appendix A indicate the functions that are stored in the scene file, functions that are stored in an operator file and those that are stored in a lens file.

**Scene files** Four scene files are stored in the camera itself (SCAM1, SCAM2, SCAM3 and SCAM4) while more scene files can be stored on a USB flash drive. A Standard scene file (preselected as either factory or customer defined) is stored in the camera.



#### Note

The standard Customer Scene file is stored via the **Security** menu, not the **Files** menu. The decision to use the factory defined file or the customer defined file as the standard file is also made in this menu.

The **Files** menu enables the scene files to be stored and recalled using the store and recall entries of the menu system. If the message **NOK** ('Not OK') is displayed, the old values are restored.



**Note**

If the camera is on air and a scene file is recalled, the recalled values do not become active until the camera goes off air.

---

## Operator files

Four operator files are stored in the camera itself (OCAM1, OCAM2, OCAM3 and OCAM4) while more operator files can be stored on a Media USB flash drive. These files contain information for setting up the non-video configuration of the camera. A Standard operator file (factory or customer defined) is stored in the camera.



**Note**

The standard Customer operator file is stored via the **Security** menu, not the **Files** menu. The decision to use the factory defined file or the customer defined file as the standard file is also made in this menu.

---



## Lens files

Lens files contain settings related to the lens configuration (e.g. white shading). Up to four lens files (LCam1 to LCam4) can be stored in the camera.

## Media files

Media files

## Standard files

By default, the green Std File button on the left-front side of the camera recalls the standard Scene file. This file contains default parameters for picture performance. A standard Operator file can be recalled via the **Files** menu. This file contains parameters for the set-up of the camera.

### Customer standard files

You can define a customer standard file for the standard Scene file and for the standard Operator file. The contents of the customer files for both these standard files is stored via the **Configuration > Security** menu.

The selection of a factory defined or a customer defined file for use as a standard file is also made in this menu. You can only access the functions of the **Security** menu with the PIN code of the camera.

## Access and security

### User level

The user level function in the **CONFIGURATION > SECURITY** menu restricts access, in varying degrees, to the operational controls of the camera. You can only access the functions of the **SECURITY** menu by entering the PIN code of the camera.

### Selecting the user level

There are four user levels: user 0, user 1, user 2 and user 3. The purpose of the user levels is to restrict the set of functions which can be changed by whoever is using the camera. In this way a more centralized and uniform control can be achieved and the danger of the camera operator accidentally changing critical functions while shooting is reduced.

User level 0 is a special protection level which locks most of the operational controls of the camera. Use this level to ensure that a camera that has been set-up is not tampered with. User level 0 is not normally used for operational purposes as it is too restrictive for normal circumstances. The recommended minimum user level is 1. For full control set the level to 3. When you switch off the power, the access rights that were obtained by the use of the PIN code are disabled and the camera starts at the assigned user level when switched on again.

- User 0: Limited operation, no video control, restricted operational control (for example: crane or robotic camera operation).

- User 1: Standard operation, basic video control, full operational control (for example: studio or event camera operation).
- User 2: Stand alone operation, full video control (for example: solo operation, motor bike sports registration).
- User 3: Installation tasks, full video control, full configuration control (for example: camera engineers, testing or rigging up operation).

## Disable camera

The disable camera function is a protection function which prevents unauthorised interference with the camera and provides an additional level of security. Setting disable camera to On is similar to using User level 0 to protect the settings of the camera.

## Access control

A PIN code is used to access special setup and security features of the camera. The PIN code of the camera can be viewed and changed in the `CONFIGURATION > SECURITY` menu. The camera's PIN code when it leaves the factory is set to 0000. It is strongly advised that this code be changed by the owner on receipt of the camera. This ensures added protection against unauthorised access to the Security menu.



# 6 Video Setup

## Video settings

### Standard settings

To make sure that (some of) the camera functions are not set to unusual values, a standard file has been defined that contains the default values for most video functions. The [“Reference tables” on page 67](#) list the (default) values that are set when the standard file is recalled.

To recall the standard values for the various video functions, press the STD button on the back side of the camera and hold it for two seconds. The standard values only take effect when the camera is not On Air.

The standard file can be selected as either a factory or a customer standard file. Changing the standard file can only be done in the **Security** menu if a PIN code is used.

### Video mode

CGA

In the Main video menu, go to **Setup > Video**. Tap the **VideoMode** item to select the video mode you wish to use for your production.

CAM

In the camera menu, go to the **Production Setup > Video Mode** item and select the video mode.

### Sensitivity mode

To obtain the best results under different lighting conditions, the camera’s sensitivity mode can be selected.<sup>1)</sup>

CGA

In the Main video menu, go to **Setup > Video**. Tap the **Sensitivity Mode** item and select the sensitivity mode.

CAM

In the camera menu, go to the **Production Setup > Sensitivity** item and select the sensitivity mode.

The following sensitivity modes are available:

- **High Quality mode** — for studio locations and other environments with very good lighting conditions. This mode provides superior quality pictures with very low noise.
- **Nominal mode** — for general purpose situations with variable lighting conditions. This mode provides very good pictures with low noise.
- **High Sensitivity mode** — for situations with poor lighting conditions. This mode results in acceptable quality pictures.

The following settings and ranges are in use with the different sensitivity modes:

	High Quality mode	Nominal mode	High Sensitivity mode
Basic sensitivity (@2000 lux): <sup>2)</sup>	typ. F8	typ. F11	max. F16
Texture representation:	Excellent	Very good	Fair
Dynamic range:	1 f-stop lower	Maximum	Maximum

1) Sensitivity mode is not available when a high speed video mode is selected.

2) Actual basic sensitivity depends on selected video mode/frame rate.

## Color bar

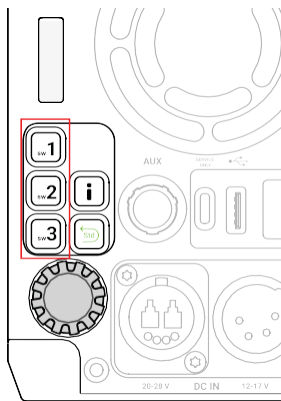
The color bar is the standard test signal that is used to set up and check the camera before shooting. When the color bar is selected the following functions are temporarily switched off: Black Stretch, White Limiter, Zebra and the Safe Area and cadre indicators. The lens iris closes automatically when the color bar is switched on.

### CGP

Press the TEST button on the left side of the panel to switch on the color bar. Initially, the standard color bar is switched on and the button lights. Press it again to switch on the sawtooth signal. The button lights orange. Press again to switch off all test signals.

### CAM

Press the SW1, SW2 or SW3 button (depending on which button the color bar function is assigned to) to switch on the standard color bar:



## Gain

Depending on the available light level it may be necessary to adjust the video gain settings of the camera.

### CGP

Turn the upper ring on the stick to vary Gain in steps of 0.1 dB.

The actual value of the Gain in dB is assigned to these presets in the **Production Setup > Levels > Gain > Gain Presets** menu.



Gain Preset	Gain (in HiQ and Nom mode)	Gain (in HiSens mode)
-	is always -3 dB	is always -3 dB
0	is always 0 dB	is always 0 dB
+	can be set to +3 or +6 dB	can be set to +3, +6, +9 or +12 dB
++	can be set to +6 or +9 dB	can be set to +6, +9, +12 or +15 dB
+++	can be set to +9 or +12 dB	can be set to +9, +12, +15 or +18 dB

**Note**

When Gain is set to negative values, or values higher than 3 dB, the Gain indicator in the viewfinder lights (only for ocular viewfinder).

**Note**

Selecting high Gain levels may introduce noise into the image.

## Optical filters

Both a Neutral Density filter (ND) and a Special Effects filter (FX) can be placed in the path of the optical signal to modify the incoming light. These filters can be used, for example, to control depth of field or exposure levels.

Press the FILTER button and select the filter type you want to change: ND or FX. Use the navigation buttons to step through the ND and FX filters.

**CAM**

On the camera press SW1 or SW2 button (must be assigned to ND Filter) to navigate to the filter type and select the filter from the list.

Four Neutral Density (ND) filter positions are available:

- Clear - no filter is placed in the optical path
- ND1/4 - 2 stops light reduction neutral density filter
- ND1/16 - 4 stops light reduction neutral density filter
- ND1/64 - 6 stops light reduction neutral density filter

Four Effects (FX) filter positions are available:

- Clear - no filter is placed in the optical path
- Star 4P - 4 Point Star filter
- Sft Fcs - Soft focus filter
- Cap - Lens is capped (closed)

The effect filters can only be changed in the camera menu or with an external control panel.

---



**Note**

The camera does not need color optical filters to be able to white balance correctly. The range of the auto-white balance is so wide that there is never any need to use color filters to obtain the correct white balance.

---

## Exposure

### Exposure time

The exposure time value of 1/200 is used to capture fast moving objects so that these can be played back sharply in slow motion.

**CAM**

On the camera, exposure time is selected by the exposure time switch on the left side panel of the camera:

The exposure time switch gives a choice of exposure time settings. If an exposure time other than nominal is selected, the non-standard indicator in the (ocular) viewfinder lights.

---



**Note**

Decreasing the exposure time lowers the camera's sensitivity proportionally.

---

- Nom — nominal setting
- Var — enable the exposure time to be varied
- 1/2000 — for fast moving objects
- 50 Hz — shooting under 50 Hz lighting (adjustable with lighting correction)
- 60 Hz — shooting under 60 Hz lighting (adjustable with lighting correction)

### Lighting correction

The exposure selection also includes lighting control positions which can be used when shooting with lighting that is operating at a different frequency to the camera. There are two positions: 50 Hz and 60 Hz. Each of these positions can be varied further in a range from -10 to +10 Hz. To reduce flicker select the frequency closest to the frequency of the lights and then vary the lighting control in the **Production Setup > Exposure > Lighting** menu to obtain the best result.

---

## V-Shift (vertical acquisition shift)

When shooting monitors with (almost) the same display frequency as the camera's, for example TV sets, a horizontal black bar can be seen in the viewfinder. This phenomenon occurs because the camera is blanking while the monitor is not. The V-shift function shifts the camera blanking to synchronize it with the blanking of the monitor.

**CAM**

In the camera menu, navigate to the **Production Setup > Exposure > Acq Timing** menu and switch on the **V-Shift** item. Use the **V-Shift time** item to change the time shift until the horizontal bar disappears.

**Tip**

V-Shift can also be used to remove color shifts that may occur when shooting DLP-type projectors.

---

## LED Wall Filter

When shooting against LED Wall backgrounds that contain high frequencies, interference may occur, resulting in unwanted moire patterns. A special electronic filter is available that can be used to reduce these effects:

**CAM**

In the camera menu, navigate to the **Production Setup > Exposure** item and switch **Led Wall Filter** on.

## Color

### Color Temperature

For true color reproduction the ambient lighting conditions must be compensated for by selecting a value for the color temperature. The standard file setting is 3200 K (normally used for tungsten and indoor lighting). Two other reference color temperatures are available: 5600 K (for outdoors, clouded conditions) and 7500 K (for outdoors, clear blue skies).

The memory positions (FL50, FL60, AW1 and AW2) are available to store the results of the auto-white measurement process. The memory positions store measured values using the automatic white balance switch at the front. The FL positions are recommended for shooting with fluorescent light.

A continuous automatic white balance position (AWC) is also available. This function continuously measures the white balance and adjusts it accordingly. It can be used when a constant color balance is required under changing lighting temperatures (sunsets, indoors/outdoors use).

### Color Tint

In some cases, color temperature alone is not enough to fully compensate for color cast so an additional tint adjustment is needed. Similar to how color temperature specifies the relative warmth or coolness of an image, tint generally specifies the balance between

magenta and green color casts. When combined, color temperature and tint can therefore control and effectively remove virtually any color cast.

## Color Filter

In the auto-white positions (FL50, FL60, AW1 and AW2) a color filter can be set up in the **production Setup > Color > Color Temp > Color Filter** menu. This varies the color balance to obtain warmer or colder color effects.



### Note

The automatic white balance process is performed independent of the color filter. The color filter is not disabled when AWC is on.

---

## Selecting color temperature

### CAM

Three preset color temperatures are available:

- 3200 K - for indoor lighting conditions
- 5600 K - for outdoors, clouded conditions
- 7500 K - for outdoors, clear blue skies

and four memory positions:

- FL50 - memory position for 50 Hz fluorescent light (matrix is set to CoolFL and exposure to 50 Hz)
- FL60 - memory position for 60 Hz fluorescent light (matrix is set to CoolFL and exposure to 60 Hz)
- AW1 - Auto White memory position 1
- AW2 - Auto White memory position 2

and one automatic continuous white position:

- AWC - Auto White Continuous measurement (from 2000 K to 21000 K)

When the switch is first pressed, the viewfinder displays the current value. Select a new value by scrolling up or down through the available values.

The viewfinder also displays the measured color temperature. The range of the auto-white balance is from 2000 K to 21000 K.

## Auto White Balance

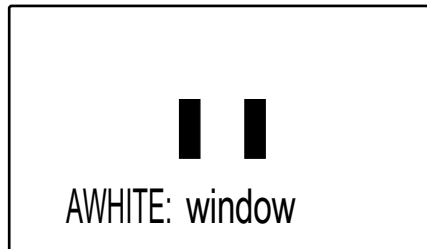
If the reference color temperatures does not match your lighting conditions carry out the Auto White Balance procedure as follows:

- 1 On the CGA, go to the **Color menu > Color Temperature** and select one of the memory positions (FL50, FL60, AW1 or AW2) in which to store the measured color temperature value.  
On the camera use the color temperature switch to select one of the memory positions (FL50, FL60, AW1 or AW2) in which to store the measured color temperature value.

- 2 In the Color Temperature menu on the CGA, tap the AUTO WHITE button to start the Auto White balance procedure.

On the camera, use one of the assignable buttons SW1, SW2 or SW3 which is assigned to White Balance and start the Auto White Balance procedure.

- 3 The following appears in the viewfinder:

**Note**

If you did not select one of the memory positions FL50, FL60, AW1 or AW2, a message ("Set Color Temp") appears in the viewfinder.

---

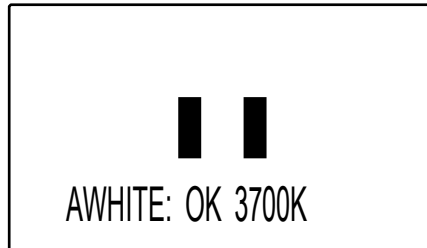
- 4 Point the camera so that the reference white surface is between the two small black boxes.
- 5 On the CGA, tap the WHITE BALANCE button again.  
On the camera, press the WHITE BALANCE button on the front panel again to start the measurement procedure.
- 6 A message indicating that the process is running appears:

**Note**

If there is insufficient light, the "light level too low" message appears in the viewfinder.

---

- 7 When the process is completed (within a few seconds) the OK message and the measured color temperature appears in the viewfinder:



- 8 The measured color temperature is now stored in the selected memory position and can be recalled as required.
- 9 If the auto-white measurement has been unsuccessful, an error appears in the WHITE BALANCE button on the CGA.



#### Note

During the auto-white measurement process the iris is set to Auto and 90% and knee is switched off.

Black balance is not necessary because black level is automatically adjusted by the camera's internal video circuits.

---

## Saturation

Adjust the saturation level to increase or decrease color of the picture. Saturation values below 100% decrease colors while values higher than 100% increase colors.

**CAM**

In the camera menu, navigate to the **production Setup > Color > Saturation** item and adjust the level.

## Color Gamut

The camera can operate using two different color gamuts:

**CAM**

In the camera menu, navigate to the **Production Setup > Color > Color Gamut** item and select REC709 (for default HDTV color gamut) or REC2020 (for extended color gamut). In HDR operation LMS is supported in addition to REC709 and REC2020.

## Color Protect

When very bright and saturated colored lights are used, predominant colors may clip. This results in fully saturated areas with no detail. This phenomenon occurs especially in blue and magenta color ranges.

The Color Protect function restores luminance levels without affecting color over-saturation. It prevents non-dominant colors from decreasing below black level so much of

the details in the picture are still maintained. If a dominant color saturates, Color Protect gradually decreases its influence in the picture.

**CAM**

In the camera menu, navigate to the **Production Setup > Color > Color Adjustment > Col Protect** menu and switch on the item **Col Protect**.

## Sharpness

### Detail

Detail is an image enhancement used to improve picture sharpness perception. The detail function raises the contrast at the dark-to-light and light-to-dark transitions, thus making edges of objects appear sharper. This process is applied in video post processing within the camera by overshooting the signal at the edges. Detail is applied to both vertical and horizontal picture edges. Detail level refers to the amount of image enhancement, or in other words, the amount of sharpness added to the picture.

**CAM**

In the camera menu, navigate to the **Creative Control > Sharpness > Detail** menu and use **Detail Level** to adjust the amount of detail added to the picture.

### Advanced options

There are a number of advanced Detail options in the menu that can be used to fine tune the detail function:

- Vertical Detail Level (0 to 99)
- Coarse/Fine adjustment (0 to 99)
- Level Dependency (0 to 99)
- Noise Slicer (0 to 99)

## Lens related functions

### Aperture Correction follows Iris

The internal Aperture Correction circuit compensates for optical aberration caused by smaller lens apertures. When switched on, the Aperture Correction takes the actual Iris opening into account to achieve better Aperture Correction.

**CAM**

In the camera menu, go to the **Creative Control > Sharpness > Detail > Advanced** menu to find the lens related detail functions.

## Skin Detail

Skin Detail is set up to select a particular color range. The Detail level within this color range can then be set independently of the rest of the picture.

Skin detail is mainly used to reduce the level of Detail in a person's skin tone to produce a more attractive picture. Decreasing the Detail level of a person's skin softens the skin tones only. But the Skin Detail function is not limited to a particular color and so can also be used to achieve various effects in selected color areas. For example, decrease the detail level of a

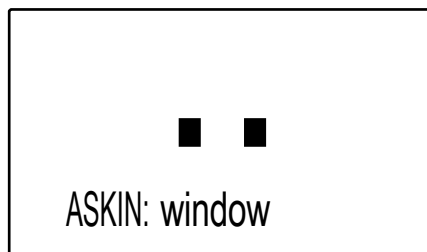
soccer field to accentuate the players or increase the Skin Detail level to accentuate a rough surface.

The color range to which the Skin Detail level is applied can be selected automatically or manually. Three skin detail ranges (called Skin Gates or Sets) can be independently defined; they can be used at the same time.

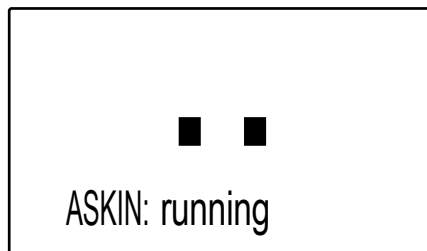
### Auto Skin Detail

Carry out the Auto Skin Detail procedure as follows:

- 1 In the camera menu, navigate to the **Creative Control > Sharpness > Skin Detail** and use the Skin Gate item to select 1, 2 or 3. Do not select any of the combined options.
- 2 Place the cursor in front of the **Auto Skin Dtl** function.
- 3 Press the select button on the front of the camera. The following appears in the viewfinder:



- 4 Now point the two small black boxes at the intended surface (generally a face).
- 5 Press the select button again to start the measurement procedure (the iris is automatically set to auto by the camera). The process running message appears:



- 6 When the process is completed (within a few seconds) the OK message appears in the viewfinder:



- 7 Now adjust the Skin Detail level with the Skin Level item. Decrease the value below 50 to soften the selected area. Increase the value above 50 to add extra detail.



## Image control

### Freeze Frame

When switched on, the freeze frame function freezes the current video frame so that many video functions can be set up off line. The following functions are NOT available in freeze frame mode:

- Iris settings
- V-shift
- Variable exposure

**Note**

Changing the video mode and running Auto White Balance is prohibited in Freeze Frame mode.

---

**CAM**

In the camera menu, navigate to the **Production Setup > Image Control > Freeze frame** menu to switch Freeze Frame on or off.

### Reverse Scan

When the camera is used at a rotated angle use the reverse scan function to rotate the camera's image to compensate.

**CAM**

In the camera menu, navigate to the **Production Setup > Image Control > Reverse Scan** menu to switch reverse scan on or off and to select the scan mode (horizontal, vertical or both).



# Camera Menu Reference



## Reference tables

All camera functions are grouped into 7 main menus:

- **Installation menu**  
Contains camera connection methods and system setup items.
- **Operator Toolbox menu**  
Contains the functions that help the operator while shooting such as screen indicators, user buttons assignments and various shooting tools.
- **Production Setup menu**  
Contains the functions needed to set up the camera for a production, including scene related video settings.
- **Creative Control menu**  
Contains the functions to control the creative aspects of the video signal such as contrast, sharpness and color correction.
- **Configuration menu**  
Contains the functions that are used to set up the general configuration of the camera such as intercom, lens settings and interfaces.
- **Diagnostics menu**  
Provides information on the current status and of the camera.
- **Service menu**  
Contains service items for advanced camera configuration.

The columns in the tables provide reference information about the functions in the camera menu:

- Menu item: camera function, menu or sub-menu.
- Values: possible values or value range for the listed function (the factory default value for the listed function is indicated in **bold**.)
- Level: the access level from which the function or menu is available. User 0 is the most restricted level while User 3 is the least restrictive. Service (S) is the access level for advanced functions.
- Description: a short description of the function and its values.

## Installation menu

Function:	Values:	U:	F:	Description:
Camera Mode	<b>IP, XCU</b> , Local	0	-	Camera mode: IP = NativeIP mode (only visible when the NativeIP option/license is installed) XCU = XCU mode Local = Local mode
IP Mode	10G, <b>25G</b> , 100G	0	-	Ethernet speed for the IP Media network
FEC Mode	<b>Off</b> , RS	0	-	Forward Error Correction method: off or RS (= Reed-Solomon)
<b>PTP</b>				
PTP Profile	<b>SMPTE2059</b> , AES67, AES-SMPTE, User	0	-	PTP Profile (when Reference = PTP): SMPTE2059: Profile used for synchronization of broadcast media systems AES67: media profile of AES67 AES67-SMPTE: combination of SMPTE2059 + AES67 User: User defined. Enter PTP Profile settings in the PTP Settings submenu (below)
<b>PTP Settings (available when PTP profile = User)</b>				
GM Select	<b>Auto</b> , GM 1, GM 2	0	-	PTP Grandmaster selection
Domain Nr	0..255 ( <b>0</b> )	0	-	PTP Domain Number (refer to IEEE 1588 for more information)
DelayReqInterval	-4..1 ( <b>-3</b> )	0	-	PTP DelayRequestInterval (refer to IEEE 1588 for more information)
ReceiptTimeout	2..10 ( <b>2</b> )	0	-	PTP DelayRequestInterval (refer to IEEE 1588 for more information)
<b>Timing</b>				
Main Video	-5000us..5000us ( <b>0 us</b> )	0	-	
<b>SFP Modules</b>				
<b>Port QSFP</b>				
Mode	DHCP, <b>Manual</b>	0	-	Management protocol for QSFP port
IP	[IP addr] ( <b>10.11.5.2</b> )	0	-	IP address for QSFP port
NM	0..31 ( <b>16</b> )	0	-	Subnet Mask for QSFP port
GW	[IP addr] ( <b>10.11.5.1</b> )	0	-	Default Gateway for QSFP port
<b>Port SFP1</b>				
Mode	DHCP, <b>Manual</b>	0	-	Management protocol for SFP1 port
IP	[IP addr] ( <b>10.11.6.2</b> )	0	-	IP address for SFP1 port
NM	0..31 ( <b>16</b> )	0	-	Subnet Mask for SFP1 port
GW	[IP addr] ( <b>10.11.6.1</b> )	0	-	Default Gateway for SFP1 port
<b>Port SFP2</b>				

Function:	Values:	U:	F:	Description:
Mode	DHCP, <b>Manual</b>	0	-	Management protocol for SFP2 port
IP	[IP addr] ( <b>10.11.7.2</b> )	0	-	IP address for SFP2 port
NM	0..31 ( <b>16</b> )	0	-	Subnet Mask for SFP2 port
GW	[IP addr] ( <b>10.11.7.1</b> )	0	-	Default Gateway for SFP2 port

**Media Interface****Network Setup****VLAN**

C2IP	<b>Off, On</b>	0	M	Enable/disable VLAN tagging for C2IP
C2IP Tag	2..4095 ( <b>2</b> )	0	M	Assigns a tag to the C2IP (control network) VLAN (when VLAN tagging = On)
Trunk	<b>Off, On</b>	0	M	Enable/disable VLAN tagging for IP Trunk
Trunk Tag	2..4095 ( <b>3</b> )	0	M	Assigns a tag to the IP Trunk VLAN (when VLAN tagging = On)
PrivData	<b>Off, On</b>	0	M	Enable/disable VLAN tagging for Private Data
PrivData Tag	2..4095 ( <b>4</b> )	0	M	Assigns a tag to the Private Data VLAN (when VLAN tagging = On)

**NMOS Control**

Type	<b>Off, Static, DNS-SD, mDNS</b>	0	M	NMOS service type (or switches off NMOS control)
Interface	<b>C2IP, Media</b>	0	M	NMOS over C2IP connector or via the IP Media Network

**NMOS server**

IP	[IP addr] ( <b>192.168.1.2</b> )	0	M	IP address for NMOS server
Port	[Port No] ( <b>6000</b> )	0	M	IP port number for NMOS server
IS04 ver	<b>v1.0, v1.1, v1.2, v1.3</b>	0	M	NMOS IS-04 protocol version for NMOS server
ARPreq to DefGw	<b>Off, On</b>	0	M	Switches ARPreq to DefGw on or off. The Address Resolution Protocol (ARP) is used for mapping a network address to a physical Ethernet address
IGMP Version	<b>v2, v3</b>	0	M	Internet Group Management Protocol (IGMP) is used for Multicast IP applications: v2: use the standard version for the IGMP protocol v3: allows for source specific multicast

**Private Data**

Enabled	<b>No, Yes</b>	0	M	Enable/disable Private Data
Dst IP	[IP addr] ( <b>10.11.10.1</b> )	0	M	Destination IP address for Private Data
Dst Port	[Port No] ( <b>20015</b> )	0	M	Destination IP port number for Private Data
Src Port	[Port No] ( <b>20016</b> )	0	M	Source IP port number for Private Data

**Outgoing Streams****Main Video**

Enabled	No, <b>Yes</b>	0	M	Enable/disable Main Video
---------	----------------	---	---	---------------------------

## Camera Menu Reference

### Installation menu

Function:		Values:	U:	F:	Description:
	IP	[IP addr] <b>(224.11.5.9)</b>	0	M	IP address for Main Video
	Port	[Port No] <b>(20009)</b>	0	M	IP port number for Main Video
	Protocol	ST2022-6, <b>ST2110-20</b>	0	-	IP Transport Protocol for Main Video: ST2022-6: Packetized SDI over IP ST2110-20: Video Essence over IP
	Payload ID	96..127 <b>(96)</b>	0	M	(SDI) payload ID for Main Video
<b>Live Video</b>					
	Enabled	No, <b>Yes</b>	0	M	Enable/disable Live Video
	IP	[IP addr] <b>(224.11.5.10)</b>	0	M	IP address for Live Video
	Port	[Port No] <b>(20010)</b>	0	M	IP port number for Live Video
	Protocol	ST2022-6, <b>ST2110-20</b>	0	M	IP Transport Protocol for Live Video
	Payload ID	96..127 <b>(96)</b>	0	M	(SDI) payload ID for Live Video
<b>HighSpeed Video (only in high speed video modes)</b>					
	Enabled	No, <b>Yes</b>	0	M	Enable/disable High Speed Video
<b>Phase 1</b>					
	IP	[IP addr] <b>(224.11.5.3)</b>	0	M	IP address for High Speed Video phase 1
	Port	[Port No] <b>(20003)</b>	0	M	IP port number for High Speed Video phase 1
	Enabled	<b>No</b> , Yes	0	-	Enable/disable High Speed Video phase 1
<b>Phase 2</b>					
	IP	[IP addr] <b>(224.11.5.4)</b>	0	M	IP address for High Speed Video phase 2
	Port	[Port No] <b>(20004)</b>	0	M	IP port number for High Speed Video phase 2
	Enabled	<b>No</b> , Yes	0	-	Enable/disable High Speed Video phase 2
<b>Phase 3</b>					
	IP	[IP addr] <b>(224.11.5.5)</b>	0	M	IP address for High Speed Video phase 3
	Port	[Port No] <b>(20005)</b>	0	M	IP port number for High Speed Video phase 3
	Enabled	<b>No</b> , Yes	0	M	Enable/disable High Speed Video phase 3
	Protocol	ST2022-6, <b>ST2110-20</b>	0	-	IP Transport Protocol for High Speed Video
	Payload ID	96..127 <b>(96)</b>	0	M	(SDI) payload ID for High Speed Video
<b>Audio</b>					
	Enabled	No, <b>Yes</b>	0	M	Enable/disable Audio
	IP	[IP addr] <b>(224.11.5.17)</b>	0	M	IP address for Audio
	Port	[Port No] <b>(5001)</b>	0	M	IP port number for Audio
	Codec	L16, <b>L24</b>	S	M	Linear 16 or 24 bits PCM audio codec for Audio
	Packet Time	<b>0.125 ms</b> , 0.250 ms, 1 ms	0	M	Packet Time
	PayloadID	96..127 <b>(97)</b>	0	M	Payload ID for Audio
	Number of Ch	2, 4, <b>8</b> , 16	0	M	Number of audio channels for Audio

Function:	Values:	U:	F:	Description:
<b>Intercom</b>				
Enabled	No, <b>Yes</b>	0	M	Enable/disable Intercom
IP	<IP address>	0	M	IP address for Intercom
Port	[Port No] ( <b>5002</b> )	0	M	IP port number for Intercom
Codec	L16, <b>L24</b>	S	M	Linear 16 or 24 bits PCM audio codec for Intercom
Packet Time	<b>0.125 ms</b> , 0.250 ms, 1 ms	0	M	Packet Time for Intercom
PayloadID	96..127 ( <b>97</b> )	0	M	Payload ID for Intercom
Number of Ch	2, 4, <b>8</b> , 16	0	M	Number of audio channels for Intercom
<b>Incoming Streams</b>				
<b>Video RX 1</b>				
Enabled	<b>No</b> , Yes	0	M	Enable/disable Video RX 1
Multicast	No, <b>Yes</b>	0	M	Enable/disable Multicast for Video RX 1
IP	[IP addr] ( <b>224.11.5.12</b> )	0	M	IP address for Video RX 1
Port	[Port No] ( <b>20012</b> )	0	M	IP port number for Video RX 1
PayloadID	96..127 ( <b>96</b> )	0	M	Payload ID for Video RX 1
Protocol	2022-6, <b>2110-20</b>	0	M	IP Transport Protocol for Video RX 1
Src IP	[IP addr] ( <b>10.11.8.1</b> )	0	M	Source IP address for Video RX 1
<b>Video RX 2</b>				
Enabled	<b>No</b> , Yes	0	M	Enable/disable Video RX 2
Multicast	No, <b>Yes</b>	0	M	Enable/disable Multicast for Video RX 2
IP	[IP addr] ( <b>224.11.5.13</b> )	0	M	IP address for Video RX 2
Port	[Port No] ( <b>20013</b> )	0	M	IP port number for Video RX 2
PayloadID	96..127 ( <b>96</b> )	0	M	Payload ID for Video RX 2
Protocol	2022-6, <b>2110-20</b>	0	M	IP Transport Protocol for Video RX 2
Src IP	[IP addr] ( <b>10.11.8.2</b> )	0	M	Source IP address for Video RX 2
<b>Video RX 3</b>				
Enabled	<b>No</b> , Yes	0	M	Enable/disable Video RX 3
Active	No, <b>Yes</b>	0	M	Enable/disable Multicast for Video RX 3
IP	[IP addr] ( <b>224.11.5.14</b> )	0	M	IP address for Video RX 3
Port	[Port No] ( <b>20014</b> )	0	M	IP port number for Video RX 3
PayloadID	96..127 ( <b>96</b> )	0	M	Payload ID for Video RX 3
Protocol	2022-6, <b>2110-20</b>	0	M	IP Transport Protocol for Video RX 3
Src IP	[IP addr] ( <b>10.11.8.3</b> )	0	M	Source IP address for Video RX 3
<b>Audio</b>				
Enabled	<b>No</b> , Yes	0	M	Enable/disable Audio
Multicast	No, <b>Yes</b>	0	M	Enable/disable Multicast for Audio

## Camera Menu Reference

### Installation menu

Function:		Values:	U:	F:	Description:
	IP	[IP addr] <b>(224.11.5.19)</b>	0	M	IP address for Audio
	Port	[Port No] <b>(5003)</b>	0	M	IP port number for Audio
	Codec	L16, <b>L24</b>	S	M	Linear 16 or 24 bits PCM audio codec for Audio
	Packet Time	<b>0.125 ms</b> , 0.250 ms, 1 ms	0	M	Packet Time for Audio
	Buffer Size	1,2,4, <b>8</b> ,16,32 ms	0	M	Buffer size for Audio
	PayloadID	96..127 <b>(97)</b>	0	M	Payload ID for Audio
	Number of Ch	1, 2, <b>4</b> , 8, 16	0	M	Number of audio channels for Audio
	Src IP	[IP addr] <b>(10.11.8.4)</b>	0	M	Source IP address for Audio
<b>Intercom</b>					
	Enabled	<b>No</b> , Yes	0	M	Enable/disable Intercom
	Multicast	No, <b>Yes</b>	0	M	Enable/disable Multicast for Intercom
	IP	[IP addr] <b>(224.11.5.20)</b>	0	M	IP address for Intercom
	Port	[Port No] <b>(5004)</b>	0	M	IP port number for Intercom
	Codec	L16, <b>L24</b>	S	M	Linear 16 or 24 bits PCM audio codec for Intercom
	Packet Time	<b>0.125 ms</b> , 0.250 ms, 1 ms	0	M	Packet Time for Intercom
	Buffer Size	1,2, <b>4</b> ,8,16,32 ms	0	M	Buffer size for Intercom
	PayloadID	96..127 <b>(97)</b>	0	M	Payload ID for Intercom
	Number of Ch	2, 4, <b>8</b> , 16	0	M	Number of audio channels for Intercom
	Src IP	[IP addr] <b>(10.11.8.5)</b>	0	M	Source IP address for Intercom
<b>Redundancy</b>					
<b>Outgoing streams</b>					
	Main IP	[IP addr] <b>(224.11.6.9)</b>	0	M	IP address for Main IP
	Port	[Port No] <b>(20009)</b>	0	M	IP port number for Main IP
	Ena	<b>No</b> , Yes	0	M	Enable/disable Main IP
	Live IP	[IP addr] <b>(224.11.6.10)</b>	0	M	IP address for Live Video
	Port	[Port No] <b>(20010)</b>	0	M	IP port number for Live Video
	Ena	<b>No</b> , Yes	0	M	Enable/disable Live Video
	Ph 1 IP	[IP addr] <b>(224.11.6.3)</b>	0	M	IP address for High Speed Video phase 1
	Port	[Port No] <b>(20003)</b>	0	M	IP port number for High Speed Video phase 1
	Ena	<b>No</b> , Yes	0	-	Enable/disable High Speed Video phase 1
	Ph 2 IP	[IP addr] <b>(224.11.6.4)</b>	0	M	IP address for High Speed Video phase 2
	Port	[Port No] <b>(20004)</b>	0	M	IP port number for High Speed Video phase 2
	Ena	<b>No</b> , Yes	0	-	Enable/disable High Speed Video phase 2
	Ph 3 IP	[IP addr] <b>(224.11.6.5)</b>	0	M	IP address for High Speed Video phase 3
	Port	[Port No] <b>(20005)</b>	0	M	IP port number for High Speed Video phase 3



Function:		Values:	U:	F:	Description:
	Ena	<b>No</b> , Yes	0	-	Enable/disable High Speed Video phase 3
	Audio IP	[IP addr] <b>(224.11.6.17)</b>	0	M	IP address for Audio
	Port	[Port No] <b>(5001)</b>	0	M	IP port number for Audio
	Ena	<b>No</b> , Yes	0	M	Enable/disable Audio
	Icom IP	[IP addr] <b>(224.11.6.18)</b>	0	M	IP address for Intercom
	Port	[Port No] <b>(5002)</b>	0	M	IP port number for Intercom
	Ena	<b>No</b> , Yes	0	M	Enable/disable Intercom
<b>Incoming Streams</b>					
	RX1 IP	[IP addr] <b>(224.11.6.12)</b>	0	M	IP address for Video RX 1
	Port	[Port No] <b>(20012)</b>	0	M	IP port number for Video RX 1
	Ena	<b>No</b> , Yes	0	M	Enable/disable Video RX 1
	Mcast	Yes, <b>No</b>	0	M	Enable/disable Multicast for Video RX 1
	Src	[IP addr] <b>(10.11.9.1)</b>	0	M	Source IP address for Video RX 1
	RX2 IP	[IP addr] <b>(224.11.6.12)</b>	0	M	IP address for Video RX 2
	Port	[Port No] <b>(20012)</b>	0	M	IP port number for Video RX 2
	Ena	<b>No</b> , Yes	0	M	Enable/disable Video RX 2
	Mcast	Yes, <b>No</b>	0	M	Enable/disable Multicast for Video RX 2
	Src	[IP addr] <b>(10.11.9.1)</b>	0	M	Source IP address for Video RX 2
	RX3 IP	[IP addr] <b>(224.11.6.12)</b>	0	M	IP address for Video RX 3
	Port	[Port No] <b>(20012)</b>	0	M	IP port number for Video RX 3
	Ena	<b>No</b> , Yes	0	M	Enable/disable Video RX 3
	Mcast	Yes, <b>No</b>	0	M	Enable/disable Multicast for Video RX 3
	Src	[IP addr] <b>(10.11.9.1)</b>	0	M	Source IP address for Video RX 3
	Audio IP	[IP addr] <b>(224.11.6.12)</b>	0	M	IP address for Audio
	Port	[Port No] <b>(20012)</b>	0	M	IP port number for Audio
	Ena	<b>No</b> , Yes	0	M	Enable/disable Audio
	Mcast	Yes, <b>No</b>	0	M	Enable/disable Multicast for Audio
	Icom IP	[IP addr] <b>(224.11.6.12)</b>	0	M	IP address for Intercom
	Port	[Port No] <b>(20012)</b>	0	M	IP port number for Intercom
	Ena	<b>No</b> , Yes	0	M	Enable/disable Intercom
	Mcast	Yes, <b>No</b>	0	M	Enable/disable Multicast for Intercom

## Operator Toolbox menu

Function:	Values:	U:	F:	Description:
<b>Indicators</b>				
Zoom Indicator	<b>Off</b> , On	0	-	Switch Zoom indicator on or off
Iris Indicator	<b>Off</b> , On	0	-	Switch Iris indicator on or off
Focus Indicator	<b>Off</b> , On	0	-	Switch Focus indicator on or off
Filter Indicator	<b>Off</b> , On	0	O	Switch Optical Filter indicator on or off
DOF Indicator	<b>Off</b> , On	0	O	Switch Depth of Field (DOF) indicator on or off
Center Cross	<b>Off</b> , On	0	O	Switch Center Cross on or off
<b>Safe Area</b>				
Safe Area	<b>Off</b> , On	0	O	Switch Safe Area on or off
Safe Area Type	<b>16:9</b> , 15:9, 14:9, 4:3	0	O	Aspect ratio of the Safe Area
<b>Marker</b>				
Marker	<b>Off</b> , On	0	O	Switch Marker on or off
Marker Type	15:9, 14:9, <b>4:3</b>	0	O	Aspect ratio of Marker
Marker Style	<b>Dot</b> , Shad, Both	0	O	Marker style: Dot = dotted lines; Shad = shaded areas; Both = dotted lines and shaded areas
Marker Shading	<b>Shad</b> , Black	0	O	Marker Shading (when marker style = Shad or Both): Shad = transparent area, Black = black area
<b>Box</b>				
<b>Box 1</b>				
Box	<b>Off</b> , On	0	O	Switch Box 1 on or off
Type	<b>Box</b> , Line, Full	0	O	Box type
Color	<b>White</b> , Red, Green, Blue, Yellow, Magenta, Cyan, Purple	0	O	Box color
Top	0..99 ( <b>25</b> )	0	O	Top position of the Box
Bottom	0..99 ( <b>75</b> )	0	O	Bottom position of the Box
Left	0..99 ( <b>25</b> )	0	O	Left position of the Box
Right	0..99 ( <b>75</b> )	0	O	Right position of the Box
<b>Box 2</b>				
Box	<b>Off</b> , On	0	O	Switch Box 2 on or off
Type	<b>Box</b> , Line, Full	0	O	Box type
Color	<b>White</b> , Red, Green, Blue, Yellow, Magenta, Cyan, Purple	0	O	Box color
Top	0..99 ( <b>33</b> )	0	O	Top position of the Box
Bottom	0..99 ( <b>66</b> )	0	O	Bottom position of the Box

Function:		Values:	U:	F:	Description:
	Left	0..99 <b>(33)</b>	0	O	Left position of the Box
	Right	0..99 <b>(66)</b>	0	O	Right position of the Box
<b>Zebra</b>					
	Zebra	<b>Off, On</b>	0	O	Switch Zebra indication on or off. Zebra is a diagonal line pattern that indicates that the area affected has risen above a preset level of the full scale video exposure value
	Zebra Mode	<b>Level, Band</b>	3	O	Zebra mode: Level: Zebra indication appears in areas are brighter than the set level Band: Zebra indication appears in a 2.5% band around the set level
	Zebra Level	0%..117% <b>(90%)</b>	3	O	Exposure level at which Zebra pattern is shown. When level is higher than 100% the zebra indicates overexposed areas
	Zebra Contrast	0..99 <b>(15)</b>	3	O	Zebra Contrast
	Ind White Lvl	0..99 <b>(70)</b>	2	O	White level (= brightness) of the indicators: 0 = very dark; 99 = very bright
<b>Backpanel</b>					
	Info Leds	Low, <b>High</b>	2	-	Brightness level of the IP diagnose indicators on the back panel
	Button Illum	0..99 <b>(75)</b>	2	-	Brightness level of button illumination
	Autolris Area	<b>Off, On</b>	3	O	Switches Autolris Area indication on or off
<b>VF HDR Knee</b>					
	HDR Kn Max In	100..10000% <b>(2000%)</b>	2	O	
	HDR Kn Point	20%..100% <b>(70%)</b>	2	O	
<b>VF Peaking</b>					
	Peaking Lvl	0..99 <b>(20)</b>	0	O	Peaking level applied to the viewfinder signal (same control as peaking level rotary on the viewfinder)
	Peaking (Return)	0..99 <b>(0)</b>	0	O	Peaking level applied to the Return video signal in the viewfinder (when enabled)
	Fine Lvl	-20..50 <b>(0)</b>	0	O	Fine Peaking level
	Color	<b>White, Red, Green, Blue, Yellow, Magenta, Cyan, Purple</b>	0	O	Viewfinder Peaking color
<b>VF Detail</b>					
	VF Detail	Off, <b>On, Boost</b>	0	O	Enable/disable VF Detail, or adds extra Detail to the viewfinder signal (Boost)
	Super Coarse	<b>Off, On</b>	0	O	Enable/disable Super Coarse VF Detail
	Detail Level	0..99 <b>(50)</b>	0	O	Detail level for viewfinder signal
	Slicer	0..99 <b>(10)</b>	0	O	Noise Slicer level for VF Detail

Function:	Values:	U:	F:	Description:
Vert Detail Lvl	0..99 <b>(50)</b>	3	O	Vertical component of VF Detail level
Coarse/Fine	0..99 <b>(90)</b>	3	O	Detail balance between coarse and fine structures (0 = coarse, 99 = fine)
Level Dep	0..99 <b>(30)</b>	3	O	Level at which VF Detail starts to work
Soft Detail	Off, <b>On</b>	3	O	Enable/disable Soft Detail: this reduces the amount of detail added for large transitions
Soft Detail Lvl	0..99 <b>(50)</b>	3	O	Upper limit level for Soft Detail
VF Mode	<b>Combined</b> , 1 Phase, 2 Phases, 3 Phases	2	-	(only for high speed video modes) Method of combining high speed phases for the viewfinder output: Combined: all phases are combined to obtain the highest signal level for live viewing. Some blurring may occur when panning or tilting. 1 Phase: only 1 phase is used to obtain highest sharpness but lower video levels. 2 Phases: same as above but with 2 phases. 3 Phases: same as above but with 3 phases. Note: try the setting that suits your situation best.
<b>Menu Settings</b>				
Rotary Speed	1..10 <b>(5)</b>	2	O	Reaction speed of the front rotary button
Menu Display	On, <b>Time</b>	2	O	Camera menu always on or disappear after a set time
Menu Time	3..30 <b>(10)</b>	2	O	Time (in seconds) the menu is shown when Menu Display is set to Time.
Menu White Lvl	0..99 <b>(70)</b>	2	O	White level (brightness) of the characters of the menu
<b>Info Settings</b>				
Info Start Page	<b>1,2,3,4</b>	2	-	First page shown when info button is initially pressed
Info Display	On, <b>Off</b>	2	-	Time (in seconds) the info page is shown when Info Display is Off.
Info Time	3..30 <b>(10)</b>	2	-	Sets the time (in seconds) the info page is shown.
<b>User Buttons</b>				
Ret A Preset	Off, <b>Ext1</b> , Ext2, Ext3, TP	0	O	Selects which signal is shown in the viewfinder when the Ret A button at the front panel is pressed
Ret B Preset	Off, Ext1, <b>Ext2</b> , Ext3, TP	0	O	Selects which signal is shown in the viewfinder when the Ret B button at the front panel is pressed
<b>Back Panel</b>				
SW1	<b>Call</b> , ColBar, AW, Ext, ND Up	0	O	Assigns a function to user button SW1
SW1 Mode	<b>Mom</b> , Alt	0	O	Switching mode for SW1: momentary (push) or alternating (toggle)
SW2	Call, AW, ColBar, <b>Ext</b> , ND Down	0	O	Assigns a function to user button SW2

Function:		Values:	U:	F:	Description:
	SW2 Mode	<b>Mom</b> , Alt	0	O	Switching mode for SW2: momentary (push) or alternating (toggle)
	SW3	<b>Back</b> , Call, AW, ColBar, Ext	1	O	Assigns a function to user button SW3
	SW3 Mode	<b>Mom</b> , Alt	1	O	Switching mode for SW3: momentary (push) or alternating (toggle)

**Lens**

	VTR Lens	<b>Prod</b> , Eng, Zoom, RetA, RetB, VTR, Info	1	O	Assigns a function to the VTR Lens button.
	VTR Lens Mode	<b>Mom</b> , Alt	1	O	Switching mode for the VTR Lens button: momentary (push) or alternating (toggle).
	RET Lens	<b>RetA</b> , RetB, Zoom, FocAst	1	O	Assigns a function to the RET Lens button.
	RET Lens Mode	<b>Mom</b> , Alt	1	O	Switching mode for the RET Lens button: momentary (push) or alternating (toggle).
	RET1	<b>RetA</b> , RetB	1	O	Assigns a function to the RET 1 Lens button.
	RET2	Zoom, <b>RetB</b>	1	O	Assigns a function to the RET 2 Lens button.
	RET2 Mode	<b>Mom</b> , Alt	1	O	Switching mode for the RET 2 Lens button: momentary (push) or alternating (toggle).

## Production Setup

Function:	Values:	U:	F:	Description:
<b>Levels</b>				
<b>Gain</b>				
HDR Gain	-6 dB..18 dB ( <b>0 dB</b> )	2	S	HDR Gain (in 0.1 dB steps)
HDR Out Lvl	50% .. 66% ( <b>57% for SMPTE2084</b> ) 50% .. 87% ( <b>73% for HLG</b> )	2	-	HDR Output Level: HDR video level that corresponds with 100% video level in SDR. Note: default values depend on the selected HDR Standard.
<b>Gain Presets</b>				
Gain -	-6 dB..-3 dB ( <b>-3 dB</b> )	2	O	Gain value for - preset Note: Available preset values depend on the selected sensitivity mode
Gain +	+3 dB..+12 dB ( <b>+3 dB</b> )	2	O	Gain value for + preset. Note: Available preset values depend on the selected sensitivity mode
Gain ++	+6 dB..15 dB ( <b>+6 dB</b> )	2	O	Gain value for ++ preset Note: Available preset values depend on the selected sensitivity mode
Gain +++	+9 dB..+18 dB ( <b>+12 dB</b> )	2	O	Gain value for +++ preset Note: Available preset values depend on the selected sensitivity mode
<b>Black</b>				
Full Black	<b>Off</b> , On	3	-	Select to run Full Black calibration. Note: this takes up to 15 seconds to complete
Master Black	0..99 ( <b>50</b> )	2	S	Master Black level: this is the video level that is considered as pure black
<b>Advanced</b>				
Master Black	0..99 ( <b>50</b> )	3	S	Master Black level: this is the video level that is considered as pure black.
Black R	0..99 ( <b>50</b> )	3	S	Black level for Red
Black G	0..99 ( <b>50</b> )	3	S	Black level for Green
Black B	0..99 ( <b>50</b> )	3	S	Black level for Blue
<b>HDR</b>				
HDR Standard	<b>SMPTE2084</b> , HLG, SLOG3, Lin	3	S	HDR Standard: SMPTE 2084 (or PQ, Perceptual Quantization) or HLG (= Hybrid Log-Gamma), S-Log3 or Lin (Linear)
HDR Range	<b>Narrow</b> , Full	3	-	If HDR Standard = SMPTE2084: - Full: the HDR signal is mapped into the full 10-bit range of the digital signal (3 .. 1021) - Narrow: Narrow: the HDR signal is mapped into the code value range between 64 and 940.

Function:	Values:	U:	F:	Description:
Gamma Low	0.8..3.5 <b>(1.2)</b>	3	-	Low Gamma
Gamma High	0.4..2 <b>(1.0)</b>	3	-	High Gamma
Gamma BrkPnt Low	5% .. 500% <b>(50%)</b>	3	S	
Gamma BrkPnt High	20% .. 1000% <b>(100%)</b>	3	S	
HDR Clplevel	500 N..10000 N <b>(10000 N)</b>	3	S	

**Exposure****Iris****Auto Iris**

Auto Iris	<b>Off, On</b>	0	-	Enable/disable Auto Iris
Area	<b>Top, Spot S, Spot M, Spot L, Full, Bottom, Custom</b>	3	-	Measurement area for Auto Iris
Area Indicator	<b>Off, On</b>	3	O	Enable/disable Area Indicator

**Custom Area****Peak**

Top	0..99 <b>(57)</b>	3	-	Custom measurement area for Auto Iris Peak measurement, when Area = Custom
Bottom	0..99 <b>(86)</b>	3	-	
Left	0..99 <b>(24)</b>	3	-	
Right	0..99 <b>(76)</b>	3	-	

**Average**

Top	0..99 <b>(27)</b>	3	-	Sets a custom measurement area for Auto Iris Average measurement, when Area = Custom
Bottom	0..99 <b>(57)</b>	3	-	
Left	0..99 <b>(5)</b>	3	-	
Right	0..99 <b>(95)</b>	3	-	

Peak/Average	0..99 <b>(64)</b>	3	S	Sets the Auto Iris measurement balance between peak and average video level.
Auto Iris SP	0..99 <b>(35)</b>	3	S	Sets Auto Iris Setpoint.
Mom Iris SP	0..99 <b>(50)</b>	3	-	Sets Momentary Iris Setpoint.
Auto Iris Gain	5..10 <b>(5)</b>	3	-	Sets Auto Iris Gain.

**Extended Iris**

Extended Iris	<b>Off, On</b>	0	-	Enables/disables Extended Iris
Area	<b>Top, Spot S, Spot M, Spot L, Full, Bottom, Custom</b>	S	-	Selects measurement area for Extended Iris

**Custom Area****Peak**

Function:		Values:	U:	F:	Description:
	Top	0..99 <b>(57)</b>	S	-	Sets a custom measurement area for Extended Iris Peak measurement, when Area = Custom
	Bottom	0..99 <b>(86)</b>	S	-	
	Left	0..99 <b>(24)</b>	S	-	
	Right	0..99 <b>(76)</b>	S	-	
	<b>Average</b>				
	Top	0..99 <b>(27)</b>	S	-	Sets a custom measurement area for Extended Iris Average measurement, when Area = Custom
	Bottom	0..99 <b>(57)</b>	S	-	
	Left	0..99 <b>(5)</b>	S	-	
	Right	0..99 <b>(95)</b>	S	-	
<b>Lighting</b>					
	Lighting	Off, On	1	S	Enables/disables Lighting function
	Correction	-10 .. <b>0</b> .. +10	1	S	Sets the correction to fine-adjust for ambient lighting frequency when exposure time is set to 50 Hz or 60 Hz.
<b>Acq Timing</b>					
	V-Shift	Off, On	1	S	Switches V-Shift (acquisition timing shift) on or off.
	V-Shift Time	0..99 <b>(0)</b>	1	S	Selects V-Shift (acquisition timing shift) time.
<b>Exp Time (not available for high speed video modes)</b>					
	Exp Time Sel	1/200, 50%, 50 Hz, 60 Hz, <b>Nom, Var</b>	1	-	Selects camera exposure time.
	Var Exp Time	50 Hz .. 1000 Hz	1	-	Sets variable exposure time when Exp Time Sel = Var in Hz or ms (see below)
	Units	<b>Hz</b> , ms	1	-	Selects units to use for variable exposure time
	LED Wall filter	Off, On	2	S	Switches LED Wall Filter on or off.
<b>HDR to SDR</b>					
<b>Input Ctrl</b>					
	Input Level	50% .. 87% <b>(57%)</b>	3	-	
	Input Clipper	Off, On	3	-	
	Input Clip Lvl	0% .. 10000% <b>(10000%)</b>	3	-	
	Map Mode	<b>SceneRef</b> , Manual	3	-	
	Knee Point	0..100 <b>(35)</b>	3	-	
	Knee Max In	100..5000 <b>(1000)</b>	3	-	
<b>Output Ctrl</b>					
	Wh Limiter	Off, On	3	-	
	Wh Limit Lvl	87.7%..109.1% <b>(105%)</b>	3	-	
	Color Saturation	0%..200% <b>(100%)</b>	3	-	
	SDR Color Gamut	<b>REC709</b> , REC2020	3	-	



Function:	Values:	U:	F:	Description:
OETF	<b>BT1886</b> , REC709, SQRT709	3	-	
Black Lvl	0..99 ( <b>0</b> )	3	-	

**Color****Color temp**

Color Filter	-100..100 ( <b>0</b> )	2	S	Varies the color balance to obtain warmer or cooler effects. Negative values give cooler effects while positive values give warmer effects.
Color Presets	<b>3200K</b> , 5600K, 7500K, FL50, FL60, AW1, AW2, AWC, VAR	2	-	Selects the color preset.
Color Temp	2000 K..21000 K ( <b>3200 K</b> )	2	S	Sets the color temperature when Color Preset = VAR
Tint	-150..150 ( <b>0</b> )	2	S	Adjusts the color balance along the magenta/green axis. Negative values add more magenta while positive values add more green.

**Advanced**

Gain R	0..99 ( <b>50</b> )	2	S	Sets Gain Red level.
Gain G	0..99 ( <b>50</b> )	2	S	Sets Gain Green level.
Gain B	0..99 ( <b>50</b> )	2	S	Sets Gain Blue level.
Range	<b>3dB</b> , 6dB	2	S	Selects Gain control ('Painting') range.
x	0.2..0.55 ( <b>0.423</b> )	3	-	Displays the chromacity x-value. Note: this is only an approximation.
y	0.2..0.55 ( <b>0.399</b> )	3	-	Displays the chromacity y-value. Note: this is only an approximation.

**Saturation**

Saturation	0%..200% ( <b>100%</b> )	2	S	Sets color saturation level. 0% = fully desaturated (black/white), 100% = normal saturation, 200% = maximum saturation.
HDR Saturation	0%..200% ( <b>100%</b> )	2	S	Sets HDR color saturation level. 0% = fully desaturated (black/white), 100% = normal saturation, 200% = maximum saturation.

**Color gamut**

SDR Color Gamut	<b>REC709</b> , REC2020	2	S	Selects SDR Color Gamut to be used: REC709 = default color gamut REC2020 = extended color gamut
HDR ColorGamut	REC709, <b>REC2020</b> , LMS	2	S	Selects Color Gamut to be used in HDR mode: REC709 = default color gamut REC2020 = extended color gamut LMS = LMS color space (LMS = Long, Medium and Short wavelengths)

Function:	Values:	U:	F:	Description:
<b>Matrix</b>				
Matrix	B/W, 1:1, <b>XGL</b> , WCG, Var1, Var2	3	S	Selects a preset for the color matrix: B/W: monochrome picture; 1:1 = matrix is switched off; XGL = for vivid color reproduction (advised to combine with M/G setting); WCG = ??? Var1 = variable setting 1; Var2 = variable setting 2.
<b>Advanced</b>				
G->R	0..99 ( <b>50</b> )	S	S	Sets Green into Red coefficient (when Matrix is set to variable).
B->R	0..99 ( <b>50</b> )	S	S	Sets Blue into Red coefficient (when Matrix is set to variable).
R->G	0..99 ( <b>50</b> )	S	S	Sets Red into Green coefficient (when Matrix is set to variable).
B->G	0..99 ( <b>50</b> )	S	S	Sets Blue into Green coefficient (when Matrix is set to variable).
R>B	0..99 ( <b>50</b> )	S	S	Sets Red into Blue coefficient (when Matrix is set to variable).
G->B	0..99 ( <b>50</b> )	S	S	Sets Green into Blue coefficient (when Matrix is set to variable).
<b>Image Control</b>				
Freeze	<b>Off</b> , On	2	-	Switches image freeze on or off. Use to assist off line setup and configuration.
<b>Reverse Scan</b>				
Reverse Scan	<b>Off</b> , On	0	S	Switches Reverse Scan on or off.
Mode	<b>Horiz</b> , Vert, Both	0	S	Selects Reverse Scan mode: Horiz = the image is flipped horizontally; Vert = the image is flipped vertically; Both = the image is flipped both horizontally and vertically.
<b>Image Shift</b>				
Horizontal	-16..16 ( <b>0</b> )	0	-	Shifts the image in horizontal direction (in pixels)
Vertical	-4..4 ( <b>0</b> )	0	-	Shifts the image in vertical direction (in lines)
Video Mode	<list of video modes>	3	-	Current video mode. Available video modes depend on camera model, configuration and installed license.

---

Function:	Values:	U:	F:	Description:
Sensitivity	<b>Nom</b> , HiQ, HiSens	3	S	Sensitivity mode: HiQ = High quality Nom = Nominal HiSens = High sensitivity Note: Sensitivity mode is not available for high speed video modes.

## Creative Control

Function:	Values:	U:	F:	Description:
<b>Levels</b>				
<b>Filters</b>				
ND Filter	<b>Clear</b> , ND 1/4 , ND 1/16, ND 1/64	2	S	Optical Neutral Density (ND) filter: Clear = No filter; ND 1/4 = 2 stops; ND 1/16 = 4 stops; ND 1/64 = 6 stops neutral.
FX Filter	<b>Clear</b> , Cap, Star 4P, Sft Fcs, Cap	2	S	Optical Effects (FX) filter: Clear = No filter; Star 4P = 4 Point Star; Sft Fcs = Soft Focus; Cap = Lens capped.
<b>Flare</b>				
Flare	Off, <b>On</b>		S S	Switches flare correction on or off.
Red	0..99 ( <b>6</b> )		S S	Sets flare correction level for Red.
Green	0..99 ( <b>9</b> )		S S	Sets flare correction level for Green.
Blue	0..99 ( <b>11</b> )		S S	Sets flare correction level for Blue.
<b>Color</b>				
<b>Color Adjustment</b>				
<b>Color Corr</b>				
Col Corr	<b>Off</b> , On	3	S	Switches color corrector on or off. All active sets are used when color corrector is on.
Col Corr View	<b>Off</b> , On	3	-	Switch on to view the selected color area in the main signal.
VF View	<b>Off</b> , On	3	O	Switch on to view the selected color area in the viewfinder.
Set	<b>1,2,3,4,5,6</b>	3	-	Selects a color correction set.
Set On/Off	<b>Off</b> , On	3	-	Switches the selected color corrector set on or off. Note: when off, settings can not be changed.
Color	0..359.99 ( <b>0</b> )	3	-	Sets the color area by hue (in steps of 22.5 degrees)
Width	22.5..360 ( <b>0</b> )	3	-	Sets the color area hue width (in degrees).
Hue	-180..180 ( <b>0</b> )	3	-	Sets the hue (in degrees) for the selected area.
Sat	0..99 ( <b>0</b> )	3	-	Sets the saturation level for the selected area.
Luminance	0..99 ( <b>0</b> )	3	-	Sets the luminance level for the selected area.
Color Name	B+, <b>MG-</b> , MG, MG+, R, R+, YL-, YL, YL+, G-, G, G+, CY, CY+, B-, B	3	-	Shows color area name: B: Blue; MG: Magenta; R: Red; YL: Yellow; G: Green; CY: Cyan
Smoothing	Sharp, <b>Medium</b> , Smooth	3	S	Selects method for smoothing transitions between affected and nonaffected areas.
Reset	Exec, ...	3	-	Resets the color corrector to its default values. All sets are reset.
<b>Col Protect</b>				

Function:	Values:	U:	F:	Description:
Col Protect	<b>Off, On</b>	3	S	Switches Color Protect on or off
Col Prot Lvl	0%..150% <b>(75%)</b>	3	S	Sets Colors Protect level.

**Sharpness**

<b>Detail</b>				
Detail	<b>Off, On</b>	3	S	Switches Detail on or off
Detail Level	0..99 <b>(50)</b>	2	S	Detail level: the amount of Detail added to the video signal.
Detail Source	R+G, R, G, <b>Y</b>	3	S	Selects the video component that is used to generate Detail signal.
Soft Detail	<b>Off, On</b>	3	S	Switches Soft Detail on or off.
Soft Detail Lvl	0..99 <b>(50)</b>	2	S	Sets the level of Soft Detail added to the video signal.
<b>Advanced</b>				
Vert Detail Lvl	0..99 <b>(25)</b>	3	S	Sets the level of the vertical component in the Detail signal.
Coarse/Fine	0..99 <b>(90)</b>	3	S	Sets detail balance between coarse and fine structures in the image (0 = coarse structures are sharpened, 99 = fine structures are sharpened).
Detail Level	0..99 <b>(50)</b>	3	S	Sets (overall) Detail level: the amount of Detail added to the video signal. Note: this is the same function as <Detail Level> above.
Level Dep	0..99 <b>(30)</b>	3	S	Sets the detail reduction level for shadow areas.
Noise Slicer	0..99 <b>(10)</b>	3	S	Sets the level of the noise slicer for Detail.
Dtl Flw Gain	<b>Off, On</b>	3	S	When switched on, Detail level follows Gain level.
Dtl Flw Zoom	<b>Off, On</b>	3	S	When switched on, Detail level follows Zoom factor.

<b>HDR Detail</b>				
Detail	<b>Off, On</b>	3	S	Switches HDR Detail on or off.
Detail Level	0..99 <b>(50)</b>	2	S	Sets the level of detail added to the video signal.
Detail Source	R+G, R, G, <b>Y</b>	3	S	Selects the video component that is used to generate HDR Detail signal.
<b>Advanced</b>				
Coarse/Fine	0..99 <b>(50)</b>	3	S	Sets HDR Detail balance between coarse and fine structures in the image(0 = coarse structures are sharpened, 99 = fine structures are sharpened).
Detail Level	0..99 <b>(50)</b>	3	S	Sets (overall) HDR Detail level: the amount of detail added to the video signal. Note: this is the same function as <Detail Level> above.
Level Dep	0..99 <b>(15)</b>	3	S	Sets the detail reduction level for shadow areas.

<b>4K Detail</b>				
Detail	<b>Off, On</b>	3	-	Switches 4K Detail on or off.
Detail Level	0..99 <b>(50)</b>	2	-	Sets the level of detail added to the video signal.

Function:		Values:	U:	F:	Description:
	Detail Source	R+G, R, G, <b>Y</b>	3	-	Selects the video component that is used to generate 4K Detail signal.
	Soft Detail	Off, <b>On</b>	3	-	Switches Soft Detail on or off.
	Soft Detail Lvl	0..99 ( <b>50</b> )	2	-	Sets the level of Soft Detail added to the video signal.
<b>Advanced</b>					
	Vert Detail Lvl	0..99 ( <b>50</b> )	3	-	Sets the level of the vertical component in the Detail signal.
	Coarse/Fine	0..99 ( <b>90</b> )	3	-	Sets detail balance between coarse and fine structures in the image (0 = coarse structures are sharpened, 99 = fine structures are sharpened).
	Detail Level	0..99 ( <b>50</b> )	3	-	Sets (overall) detail level: the amount of Detail added to the video signal. Note: this is the same function as <Detail Level> above.
	Level Dep	0..99 ( <b>50</b> )	3	-	Sets the detail reduction level for shadow areas.
	Noise Slicer	0..99 ( <b>10</b> )	3	-	Sets the level of the noise slicer for Detail.
<b>HD Detail</b>					
	Detail	Off, <b>On</b>	3	-	Switches HD Detail on or off.
	Detail Level	0..99 ( <b>35</b> )	2	-	Sets the level of detail added to the video signal.
	Detail Source	R+G, R, G, <b>Y</b>	3	-	Selects the video component that is used to generate HD Detail signal.
	Soft Detail	Off, <b>On</b>	3	-	Switches Soft Detail on or off.
	Soft Detail Lvl	0..99 ( <b>50</b> )	2	-	Sets the level of Soft Detail added to the video signal.
<b>Advanced</b>					
	Vert Detail Lvl	0..99 ( <b>25</b> )	3	-	Sets the level of the vertical component in the Detail signal.
	Coarse/Fine	0..99 ( <b>90</b> )	3	-	Sets detail balance between coarse and fine structures in the image (0 = coarse structures are sharpened, 99 = fine structures are sharpened).
	Detail Level	0..99 ( <b>35</b> )	3	-	Sets (overall) detail level: the amount of Detail added to the video signal. Note: this is the same function as <Detail Level> above.
	Level Dep	0..99 ( <b>30</b> )	3	-	Sets the detail reduction level for shadow areas.
	Noise Slicer	0..99 ( <b>10</b> )	3	-	Sets the level of the noise slicer for Detail.
	Knee Detail	1,2,3,4	3	S	Selects level of detail for the compressed signal above the knee point.
<b>Skin Detail</b>					
	Skin Gate	<b>Off</b> , 1, 2, 3, 1+2, 1+3, 2+3, 1+2+3	3	S	Switches Skin Detail off or on and selects a Skin Gate. Use Skin Detail to change the detail level within a selected color range.
	Auto Skin Dtl	<b>Off</b> , On	2	-	Switches Auto Skin Detail mode on or off.

Function:		Values:	U:	F:	Description:
	VF View	<b>Off, On</b>	2	O	Switch on to view the selected Skin Detail area in the viewfinder.
	Skin1 Level	-100..100 <b>(0)</b>	2	S	Detail level for Skin Gate 1
	Skin2 Level	-100..100 <b>(0)</b>	2	S	Detail level for Skin Gate 2
	Skin3 Level	-100..100 <b>(0)</b>	2	S	Detail level for Skin Gate 3
	Follow Zoom	<b>Off, On</b>	3	-	Switches Skin Detail Follows zoom factor on or off
<b>Color Selection</b>					
	Width1 Red	0..99 <b>(29)</b>	3	S	Sets width level (Red) for Skin Gate 1.
	Width1 Blue	0..99 <b>(40)</b>	3	S	Sets width level (Blue) for Skin Gate 1.
	Color1 Red	0..99 <b>(37)</b>	3	S	Sets color level (Red) for Skin Gate 1.
	Color1 Blue	0..99 <b>(6)</b>	3	S	Sets color level (Blue) for Skin Gate 1.
	Width2 Red	0..99 <b>(29)</b>	3	S	Sets width level (Red) for Skin Gate 2.
	Width2 Blue	0..99 <b>(40)</b>	3	S	Sets width level (Blue) for Skin Gate 2.
	Color2 Red	0..99 <b>(37)</b>	3	S	Sets color level (Red) for Skin Gate 2.
	Color2 Blue	0..99 <b>(6)</b>	3	S	Sets color level (Blue) for Skin Gate 2.
	Width3 Red	0..99 <b>(29)</b>	3	S	Sets width level (Red) for Skin Gate 3.
	Width3 Blue	0..99 <b>(40)</b>	3	S	Sets width level (Blue) for Skin Gate 3.
	Color3 Red	0..99 <b>(37)</b>	3	S	Sets color level (Red) for Skin Gate 3.
	Color3 Blue	0..99 <b>(6)</b>	3	S	Sets color level (Blue) for Skin Gate 3.

## Configuration menu

Function:	Values:	U:	F:	Description:
<b>Security</b>				
Installed level	<b>User0</b> , User1, User2, User3	S	-	User access level. Note: switch the camera off and on to take the changes into effect
PIN Code	<nnnn>	S	-	Enter PIN code to access Service level (S).
<b>Customer Files</b>				
Store Cust Scene	Exec, ...	S	-	Stores the current Scene settings to the Customer Scene File.
Cust Scene Attr	R/W, <b>R</b>	S	-	Selects the read/write attribute for the selected Customer Scene File: R/W = Read and Write; R = Read only.
Store Cust Oper	Exec, ...	S	-	Stores the current Operator settings to the Customer Operator file.
<b>Green button</b>				
Std Scene File	<b>Fact</b> , Cust	S	-	Selects the Scene file to be recalled when the STD File/Green button is pressed: Fact = Factory (default) Scene file Cust = Customer Scene file
Std Oper File	<b>Fact</b> , Cust	S	-	Selects the Operator file to be recalled when the STD File/Green button is pressed: Fact = Factory (default) Operator file Cust = Customer Operator file
Scene File	<b>Yes</b> , No	S	-	Determines if the Scene file should be recalled when the STD File/Green button is pressed.
Oper File	Yes, <b>No</b>	S	-	Determines if the Operator file should be recalled when the STD File/Green button is pressed.
DeviceID Reset	Exec, ...	S	-	Resets DeviceID to factory value.
Factory Reset	Exec, ...	S	-	Resets ALL camera settings to their factory defaults.
<b>Files</b>				
<b>Scene Files</b>				
<b>Store</b>				
File Select	Standard, SCam1, SCam2, SCam3, SCam4	2	-	Selects a Scene File for storing.
Store	Exec, ...	2	-	Stores the Scene settings in the selected Scene file.
<b>Recall</b>				
File Select	Standard, SCam1, SCam2, SCam3, SCam4	1	-	Selects a Scene File for recall.



Function:		Values:	U:	F:	Description:
	Recall	Exec, ...	1	-	Recalls the selected Scene file to the camera. This overwrites current Scene settings.
<b>Lens Files</b>					
<b>Store</b>					
	File Select	LCam1, LCam2, LCam3, LCam4	2	-	Selects a Lens File for storing.
	Store	Exec, ...	2	-	Stores the Lens settings in the selected Scene file.
<b>Recall</b>					
	File Select	LCam1, LCam2, LCam3, LCam4	1	-	Selects a Lens File for recall.
	Recall	Exec, ...	1	-	Recalls the selected Lens file to the camera. This overwrites current Lens settings.
<b>Media Files</b>					
<b>Store</b>					
	File Select	MCam1, MCam2, MCam3, MCam4	S	-	Selects a Media File for storing.
	Store	Exec, ...	S	-	Stores the Media settings in the selected Scene file.
<b>Recall</b>					
	File Select	MCam1, MCam2, MCam3, MCam4	S	-	Selects a Media File for recall.
	Recall	Exec, ...	S	-	Recalls the selected Media file to the camera. This overwrites current Media settings.
<b>Operator Files</b>					
<b>Store</b>					
	File Select	Standard, OCam1, OCam2, OCam3, OCam4	2	-	Selects a Operator File for storing.
	Store	Exec, ...	2	-	Stores the Operator settings in the selected Scene file.
<b>Recall</b>					
	File Select	Standard, OCam1, OCam2, OCam3, OCam4	1	-	Selects a Operator File for recall.
	Recall	Exec, ...	1	-	Recalls the Operator file to the camera. This overwrites current Operator settings.
<b>File Attributes</b>					
	File Select	None, SCustStd, OCustStd, SCam1, SCam2, SCam3, SCam4, OCam1, OCam2, OCam3, OCam4, LCam1, LCam2, LCam3, LCam4, MCam1, MCam2, MCam3, MCam4	3	-	Selects a file to change its attributes.

## Camera Menu Reference

### Configuration menu

Function:		Values:	U:	F:	Description:
	Filename	<file name>	2	-	Displays the selected file name.
	Attribute	<b>R/W, R</b>	2	-	Selects the attribute for the selected file: R/W = Read and Write; R = Read only.
<b>USB</b>					
	Name	<text>		-	Displays USB device name.
	Free Space	0 MB..65535 MB ( <b>0 MB</b> )		-	Displays free space left on USB in Mb.
	No of Files	0..255 ( <b>0</b> )		-	Displays number of files stored on USB.
<b>USB Files</b>					
	File Select	<b>Scene 0</b>		-	Selects a file on the USB device.
	Delete	Exec, ...		-	Deletes the selected file.
	Filename	<text>		-	Changes name of the selected file.
	Attribute	R/W, <b>R</b>		-	Selects the attribute for the selected file: R/W = Read and Write; R = Read only.
Reference		SDI Input, <b>PTP</b> , TriLvl, Composite, FreeRun	0	-	Reference signal/source to lock the camera to.
<b>XCU Conn (only when camera is in XCU mode)</b>					
	ConnectType	<b>Cable</b> , DirectIP, DirectIP+	2	-	Select Connect Type: Cable (=XCU mode), DirectIP or DirectIP+ Note: the DirectIP+ license is required.
	2ry Stream		3	-	???
	XCU Name	<name>	2	-	In DirectIP/DirectIP+ mode this is the name of the XCU that the camera connects to. Note: the DirectIP+ license is required.
	Disable Camera	<b>Off</b> , On	0	-	Locks all camera buttons to prevent operational mistakes.
<b>Lens</b>					
<b>Lens Settings</b>					
	Lens Connector	<b>SXP</b> , Camera	0	-	Selects the lens connector to be used. Select Camera when a normal lens is used with the SuperXpander (Only when a SuperXpander is present).
	Lens IF Type	Analog, <b>Digital</b>	0	-	Selects a digital or analog lens interface.
	Lens IF Status	OK, <b>Not OK</b>	0	-	Shows the status of the lens interface (when a digital lens interface is used).
	RE Iris Comp	<b>Off</b> , On	0	-	Switches Iris compensation on or off. Use this setting to compensate for Iris level when a range extender (RE) is used.
<b>Lens Corrections</b>					
<b>ARIA</b>					

Function:		Values:	U:	F:	Description:
	ARIA	<b>Auto</b> , Off	0	-	Selects ARIA (Automatic Restoration of Illumination Attenuation) mode: Auto = Automatic correction; Off = no correction.
	Status	Active, Lens Unsup, RE Unsup, <b>I/F NOK</b> , Off	0	-	Active: ARIA is active; Lens Unsup: Lens does not support ARIA; RE Unsup: Range Extender does not support ARIA; I/F NOK: Lens interface not OK - no lens found; connected or analog lens interface in use; Off: ARIA is switched off.
<b>CLASS</b>					
	CLASS	<b>Auto</b> , Off	0	-	Selects CLASS (Chromatic Lens Aberration and Sharpness Solution) mode: Auto = Automatic correction; Off = no correction.
	Reset	<b>Exec</b> , busy	0	-	Select to reset lens aberration data
	Status	Active, Init, Waiting, Reading, No Info, Unsup, <b>I/F NOK</b> , Off, InitNOK, Error	0	-	Active: CLASS is active; Init: initialization process is started; Waiting: camera waits for manual turning of lens rings; Reading: camera is reading lens aberration data from lens; No Info: lens does not support ; Unsup: CLASS cannot be activated; I/F NOK: Lens interface not OK - no lens found; connected or analog lens interface in use; Off: CLASS is switched off.
	Progress	0%..100% ( <b>0%</b> )	0	-	Shows progress of the lens CLASS data reading process.
<b>Shading</b>					
	Shading	Off, <b>On</b>	S	-	Switches lens shading compensation on or off.
	R Saw H	0..99 ( <b>50</b> )	S	-	Sawtooth (Horizontal) for Red channel.
	R Par H	0..99 ( <b>50</b> )	S	-	Parabola (Horizontal) for Red channel.
	R Saw V	0..99 ( <b>50</b> )	S	-	Sawtooth (Vertical) for Red channel.
	R Par V	0..99 ( <b>50</b> )	S	-	Parabola (Vertical) for Red channel.
	G Saw H	0..99 ( <b>50</b> )	S	-	Sawtooth (Horizontal) for Green channel.
	G Par H	0..99 ( <b>50</b> )	S	-	Parabola (Horizontal) for Green channel.
	G Saw V	0..99 ( <b>50</b> )	S	-	Sawtooth (Vertical) for Green channel.
	G Par V	0..99 ( <b>50</b> )	S	-	Parabola (Vertical) for Green channel.
	B Saw H	0..99 ( <b>50</b> )	S	-	Sawtooth (Horizontal) for Blue channel.
	B Par H	0..99 ( <b>50</b> )	S	-	Parabola (Horizontal) for Blue channel.
	B Saw V	0..99 ( <b>50</b> )	S	-	Sawtooth (Vertical) for Blue channel.
	B Par V	0..99 ( <b>50</b> )	S	-	Parabola (Vertical) for Blue channel.
<b>Pixel Alignment</b>					

## Camera Menu Reference

### Configuration menu

Function:		Values:	U:	F:	Description:
	Hor Red	-8..8 <b>(0)</b>	S	-	(Advanced settings)
	Hor Blue	-8..8 <b>(0)</b>	S	-	(Advanced settings)
	Vert Red	-8..8 <b>(0)</b>	S	-	(Advanced settings)
	Vert Blue	-8..8 <b>(0)</b>	S	-	(Advanced settings)
	Apt Flw Iris	Off, <b>On</b>	3	-	(Advanced settings)
<b>Remote BackFocus</b>					
	Control	<b>Off</b> , On	0	-	Switch on to carry out the Remote Back Focus of the lens. note: the lens must support the Remote Back Focus functionality.
	Position	0..99	0	-	Stored value of the back focus adjustment (in the lens)
<b>Intercom</b>					
<b>Source Selection</b>					
	Intercom	Ext1, <b>AES67</b>		-	Selects source for intercom: Ext1 is audio from the External 1 video signal
	Ext1	<b>SDI</b> , IP		-	
	Prog Icom AES67	<b>Icom</b> , Audio		-	
	Prog Ext	<b>Ext1</b> , AES67		-	
	Prog Mon	<b>Ext1</b> , AES67		-	
<b>Tally</b>					
	Source	XCU, <b>Ethernet</b> , IS-07, Serial	0	O	Select source for the tally signal.
	On Air Backpanel	<b>Switch</b> , Input, Off	0	-	???
	Aux out	Off, <b>On</b>	0	-	???
	Lock	Off, <b>On</b>	3	-	Switches the Tally Lock function on or off. When Tally Lock is on, some camera controls are locked when the camera is On Air.
	SDI embedding	<b>Off</b> , On	3	-	???
<b>CAWB Settings</b>					
	CAWB Speed	1..40 <b>(4)</b>	S	-	Sets the speed for the Auto White Balance procedure.
	CAWB Gain	1..40 <b>(10)</b>	S	-	Sets the gain value for the Auto White Balance procedure.
<b>Network</b>					
	Camera Number	1..99 <b>(1)</b>	0	-	Selects logical camera number.
<b>IP Settings</b>					
	IP Mode	DHCP, <b>Auto</b> , Manual	0	-	Selects automatic, manual or DHCP IP mode for C2IP network.
	Subnet Mask	0..31 <b>(0)</b>	0	-	Selects the subnet mask (when IP mode is set to manual).

Function:		Values:	U:	F:	Description:
	IP	<IP address>	0	-	Sets camera IP address in the C2IP network (when IP mode is set to manual).
	Def GW	<GW address>	0	-	Selects camera head default gateway IP address in the C2IP network (when IP mode is set to manual).
	Apply Settings	Exec, ...	0	-	Select Exec to apply the new IP settings.
<b>Nameserver 1</b>					
	Use Server	<b>No</b> , Yes	0	-	Select Yes to enable use of the C2IP Name Server 1 Note: Nameserver license must be installed on the Camera Connect.
	Status	<b>Off</b> , Unknown, Active, Unavail	0	-	Shows current status of Name Server 1
	IP	<IP address>	0	-	Selects Name Server 1 IP address.
	Apply Settings	Exec, ...	0	-	Select Exec to apply the new IP settings
<b>Nameserver 2</b>					
	Use Server	<b>No</b> , Yes	0	-	Select Yes to enable use of the C2IP Name Server 2 Note: Nameserver license must be installed on the Camera Connect.
	Status	<b>Off</b> , Unknown, Active, Unavail	0	-	Status of Nameserver 2
	IP	<IP address>	0	-	IP address for Nameserver 2
	Apply Settings	Exec, ...	0	-	Select Exec to apply the IP settings
PCI ID		0..8 (1)	5	-	ID for external PC operation (not used)
<b>Signals</b>					
<b>Live2K</b>					
	Mode	<b>1080p</b> , 1080i	3	-	Video mode for Live2K signal: 1080p or 1080i
	Source	<b>HDR</b> , SDR	3	-	Dynamic range setting for Live2K signal: HDR or SDR
	BNC Ref	<b>Ref In</b> , TriLvl, Composite	0	-	Signal/function of the BNC Ref/AES connector: Ref In = Reference input (can be SDI, TriLvl or Composite); TriLvl = reference output TriLvl; Composite = reference output composite (SD Black Burst)
	BNC Outputs	<b>Default</b> , Phases	0	-	In high speed video modes, this selects the BNC Outputs Profile for the signals on BNC-A to BNC-D: default = Live, Live2K are output, Ext and SDI phases = Live Combined plus Phases are output
	BNC-A Preset	<b>Live4K</b> , Live2K	0	-	In high speed video modes, and when the BNC Outputs Profile is set to Phases, this selects which Live signal is output on BNC-A.

Camera Menu Reference

Configuration menu

Function:		Values:	U:	F:	Description:
	BNC-C Preset	Off, Ext1, <b>Ext2</b> , Ext3, TP	0	-	External video or TP signal to output on BNC-C. Note: this setting is not available for high speed video modes and when the BNC Outputs Profile is set to Phases.
	BNC-D Preset	Off, Ext1, Ext2, Ext3, <b>TP</b>	0	-	External video or TP signal to output on BNC-D. Note: this setting is not available for high speed video modes and when the BNC Outputs Profile is set to Phases.
	HDMI Select	Off, Main, Live, <b>VF</b> , Ext1, Ext2, Ext3, Ext1sc, Ext2sc, Ext3sc, BNC-D	0	-	Video signal to output on HDMI connector

## Licenses menu

Function:	Values:	U:	F:	Description:
<b>Active Licenses</b>				
UHD 1x	<b>Unknown</b> , Not Applicable, ..., ...	2	-	Shows status of the UHD 1x license
Time Left	0 sec..65535 sec ( <b>0 sec</b> )	2	-	Shows time left in seconds for the UHD 1x license
UHD 3x	<b>Unknown</b> , Not Applicable, ..., ...	2	-	Shows status of the UHD 3x license
Time Left	0 sec..65535 sec ( <b>0 sec</b> )	2	-	Shows time left in seconds for the UHD 3x license
UHD FilmC	<b>Unknown</b> , Not Applicable, ..., ...	2	-	Shows status of the UHD FilmC license
Time Left	0 sec..65535 sec ( <b>0 sec</b> )	2	-	Shows time left in seconds for the UHD FilmC license
UHD FilmB	<b>Unknown</b> , Not Applicable, ..., ...	2	-	Shows status of the UHD FilmB license
Time Left	0 sec..65535 sec ( <b>0 sec</b> )	2	-	Shows time left in seconds for the UHD FilmB license
Native IP	<b>Unknown</b> , Not Applicable, ..., ...	2	-	Shows status of the Native IP license
Time Left	0 sec..65535 sec ( <b>0 sec</b> )	2	-	Shows time left in seconds for the Native IP license
Direct IP+	<b>Unknown</b> , Not Applicable, ..., ...	2	-	Shows status of the Direct IP+ license
Time Left	0 sec..65535 sec ( <b>0 sec</b> )	2	-	Shows time left in seconds for the Direct IP+license
GPS	<b>Unknown</b> , Not Applicable, ..., ...	2	-	Shows status of the GPS license
Time Left	0 sec..65535 sec ( <b>0 sec</b> )	2	-	Shows time left in seconds for the GPS license
<b>Planned Licenses (this section is repeated for each license)</b>				
License Count	0..65535 ( <b>0</b> )	2	-	Number of licenses currently installed on the camera
Start Date	<date>	2	-	Start date of each planned license.
Start Time	<time>	2	-	Start time of each planned license.
Type	<b>None</b> , GPS, NativeIP, UHD, UHD_3X, DirectIP+	2	-	Shows planned license type.
Duration	0..65535 day ( <b>0 day</b> )	2	-	Duration in days of each planned license
<b>New Licenses</b>				
Time		2	-	
Date		2	-	
<b>Change time</b>				
Hours (24h)	0..23 ( <b>0</b> )	2	-	
Minutes	0..59 ( <b>0</b> )	2	-	
Time Zone	UTC-12:00 .. UTC+11:00 ( <b>UTC+01:00</b> )	2	-	

Camera Menu Reference

Licenses menu

Function:	Values:	U:	F:	Description:
Apply Time	<b>Exec, ...</b>	2	-	
<b>Change date</b>				
Days	1..31 <b>(1)</b>	2	-	
Month	1..12 <b>(1)</b>	2	-	
Year	2013..2199 <b>(2013)</b>	2	-	
Apply Date	<b>Exec, ...</b>	2	-	
Time&Date OK?	..., No, Yes	2		
<b>Find licenses</b>				
Search Next	<b>Exec, ...</b>	2	-	
Add License	<b>Exec, ...</b>	2	-	
Type	<b>None, GPS, NativeIP, UHD 1x, UHD 3x, UHD FilmC, UHD FilmB, DirectIP+</b>	2		
Start		2	-	
Time Zone	UTC-12:00 .. UTC+11:00 <b>(UTC+01:00)</b>	2	-	
Duration	0..65535 day <b>(0 day)</b>	2	-	
<b>Trial license</b>				
Select Type	<b>None, GPS, NativeIP, UHD, UHD_3X, DirectIP+</b>	2	-	
Activate	Exec, ...	2	-	
Time left	0 sec..65535 sec <b>(0)</b>	2	-	



## Diagnostics menu

Function:	Values:	U:	F:	Description:
<b>C2IP Network</b>				
<b>Communication</b>				
XCU Connected	Yes, No	2	-	Indicates wheter an XCU is connected to the camera (only valid in XCU mode)
C2IP Panels	0..99 <b>(0)</b>	2	-	Shows number of C2IP control panels connected to the camera.
Camera Connects	0..99 <b>(0)</b>	2	-	Shows number of Camera Connects connected to the camera.
<b>DHCP</b>				
Server	<IP address> <b>(192.168.1.1)</b>	2	-	
DNS	<IP address> <b>(192.168.1.1)</b>	2	-	
Domain	<IP address>	2	-	
Hostname	<name>	2	-	
<b>Ethernet</b>				
MAC-Address	<00:00:00:FF:FF:FF>	2	-	Shows hardware MAC address of the camera.
Link State	Connected, <b>Disconn</b>	2	-	Shows link status of the Ethernet connection.
Link type	<b>Unknown</b> , 10Mb/Half, 10Mb/Full, 100Mb/Half, 100Mb/Full, Negotiate	2	-	Show link type (speed) of the Ethernet connection.
<b>Loopback test</b>				
Loopback test	<b>Off</b> , On	S	-	
Data count	<nnn>	S	-	
Date errors	<nnn>	S	-	
Data loss	<nnn>	S	-	
<b>Ser Stats (DTCP)</b>				
Packets Recv	<nnn>	S	-	
Packets Sent	<nnn>	S	-	
Frame Errors	<nnn>	S	-	
Checksum Errors	<nnn>	S	-	
<b>Ser Stats (PCI)</b>				
Packets Recv	<nnn>	S	-	
Panel Sent	<nnn>	S	-	
Packets Sent	<nnn>	S	-	
Panel Recv	<nnn>	S	-	

Camera Menu Reference

Diagnostics menu

Function:	Values:	U:	F:	Description:
<b>SPI Stats</b>				
Msg Recv	<nnn>	S	-	
HWOvr	<nnn>	S	-	
SWOvr	<nnn>	S	-	
QueueOvr	<nnn>	S	-	
QueueSize	<nnn>	S	-	
Refresh	Exec, ....	S	-	
<b>SFP Modules</b>				
QSFP present	Yes, <b>No</b>	1	-	
Type	<b>Unavail</b> , Unknown, 100G, 10G, 40G, Act_40G	1	-	
Los	Ok, <b>NotOk</b>	1	-	
Link	Yes, <b>No</b>	1	-	
TX Mb/s	<nnn>	1	-	
RX Mb/s	<nnn>	1	-	
RX Error	<n timer>	1	-	
RX Error/sec	<n timer>	1	-	
FEC Corrected	<n timer>	1	-	
FEC Ok	<n timer>	1	-	
SFP1 present	Yes, <b>No</b>	1	-	
Type	<b>Unavail</b> , Unknown, 100G, 10G, 40G, Act_40G	1	-	
Los	Ok, <b>NotOk</b>	1	-	
Link	Yes, <b>No</b>	1	-	
Speed	Unsup, 10G, 25G	1	-	
TX Mb/s	<nnn>	1	-	
RX Mb/s	<nnn>	1	-	
RX Error	<n timer>	1	-	
RX Error/sec	<n timer>	1	-	
FEC Corrected	<n timer>	1	-	
FEC Ok	<n timer>	1	-	
SFP2 present	Yes, <b>No</b>	1	-	
Type	<b>Unavail</b> , Unknown, 100G, 10G, 40G, Act_40G	1	-	
Los	Ok, <b>NotOk</b>	1	-	

Function:	Values:	U:	F:	Description:
Link	Yes, <b>No</b>	1	-	
Speed	Unsup, 10G, 25G	1	-	
TX Mb/s	<nnn>	1	-	
RX Mb/s	<nnn>	1	-	
RX Error	<n timer>	1	-	
RX Error/sec	<n timer>	1	-	
FEC Corrected	<n timer>	1	-	
FEC Ok	<n timer>	1	-	
<b>Details</b>				
Module	<b>SFP 1, SFP 2, QSFP</b>	1	-	
Link	Yes, <b>No</b>	1	-	
Temp	-128 C..127 C ( <b>0 C</b> )	1	-	
Voltage	0 mV..5000 mV ( <b>0 mV</b> )	1	-	
Name:		1	-	
Link	<b>RX1, RX2, RX3, RX4</b>	1	-	
TxPower	-100dBm..100dBm ( <b>0 dBm</b> )	1	-	
RxPower	-100dBm..100dBm ( <b>0 dBm</b> )	1	-	
Los	Yes, <b>No</b>	1	-	
Rx Cdr Lock	Yes, <b>No</b>	1	-	
Tx Cdr Lock	Yes, <b>No</b>	1	-	
<b>Media Network</b>				
<b>Vlan</b>				
C2IP Packets Rx	<n timer>	0	-	
C2IP Packets Tx	<n timer>	0	-	
Trunk Packets Rx	<n timer>	0	-	
Trunk Packets Tx	<n timer>	0	-	
<b>Outgoing Streams</b>				
Main video	Unsup, Yes, <b>No</b>	0	-	
Live Video	Unsup, Yes, <b>No</b>	0	-	
Audio	Unsup, Yes, <b>No</b>	0	-	
Intercom	Unsup, Yes, <b>No</b>	0	-	
<b>Incoming Streams</b>				
<b>Video RX 1</b>				
Stream Active	Yes, <b>No</b>	1	-	
Pkts in Buffer	<nnn>	1	-	

Camera Menu Reference

Diagnostics menu

Function:	Values:	U:	F:	Description:
VideoMode	<b>Unknown</b> , SD, 1080i59, 1080i50, 720p50, 720p50, 1080pfs23, 1080p59, 1080p50, 4K59, 4K50, 4K47, 4K29, 4K25, 4K23	1	-	
<b>Video RX 2</b>				
Stream Active	Yes, <b>No</b>	1	-	
Pkts in Buffer	<nnn>	1	-	
VideoMode	<b>Unknown</b> , SD, 1080i59, 1080i50, 720p50, 720p50, 1080pfs23, 1080p59, 1080p50, 4K59, 4K50, 4K47, 4K29, 4K25, 4K23	1	-	
<b>Video RX 3</b>				
Stream Active	Yes, <b>No</b>	1	-	
Pkts in Buffer	<nnn>	1	-	
VideoMode	<b>Unknown</b> , SD, 1080i59, 1080i50, 720p50, 720p50, 1080pfs23, 1080p59, 1080p50, 4K59, 4K50, 4K47, 4K29, 4K25, 4K23	1	-	
<b>Audio</b>				
Stream Active	Yes, <b>No</b>	1	-	
Profile	Ok, <b>NotOk</b>	1	-	
<b>Intercom</b>				
Stream Active	Yes, <b>No</b>	1	-	
Profile	Ok, <b>NotOk</b>	1	-	
<b>Redundancy</b>				
<b>Outgoing Streams</b>				
Main Video	Unsup, Yes, <b>No</b>	0	-	
Live Video	Unsup, Yes, <b>No</b>	0	-	
Audio	Unsup, Yes, <b>No</b>	0	-	
Intercom	Unsup, Yes, <b>No</b>	0	-	
<b>Incoming Streams</b>				
<b>Video RX 1</b>				
Stream Active	Yes, <b>No</b>	1	-	
Stream Valid	Yes, <b>No</b>	1	-	

Function:		Values:	U:	F:	Description:
	Pkts in Buffer	0..99 <b>(0)</b>	1	-	
	Video Mode	<list of video modes>	1	-	
<b>Video RX 2</b>					
	Stream Active	Yes, <b>No</b>	1	-	
	Stream Valid	Yes, <b>No</b>	1	-	
	Pkts in Buffer	0..99 <b>(0)</b>	1	-	
	Video Mode	<list of video modes>	1	-	
<b>Video RX 3</b>					
	Stream Active	Yes, <b>No</b>	1	-	
	Stream Valid	Yes, <b>No</b>	1	-	
	Pkts in Buffer	0..99 <b>(0)</b>	1	-	
	Video Mode	<list of video modes>	1	-	
<b>Audio</b>					
	Stream Active	Yes, <b>No</b>	1	-	
	Stream Valid	Ok, <b>NotOK</b>	1	-	
<b>Intercom</b>					
	Stream Active	Yes, <b>No</b>	1	-	
	Stream Valid	Ok, <b>NotOK</b>	1	-	
<b>PTP</b>					
	Status	Listening, Calibrating, Locked, GM-found, <b>Off</b>	1	-	
	Path Delay	<nnn>	1	-	
	Offset to Master	-30000..30000 <b>(0)</b>	1	-	
	Selected GM	<b>None</b> , GM 1, GM 2	1	-	
<b>GM 1 Info</b>					
	ID	<text>	1	-	ID of the PTP Grandmaster to which the camera is locked
	IP	<IP address>	1	-	IP address of the PTP Grandmaster to which the camera is locked
	Status	Listening, Calibrating, Locked, <b>Off</b>	1	-	Locking status of GM1
	Path Delay	<nnn>	1	-	
	Offset to Master	-30000..30000 <b>(0)</b>	1	-	
	Prio 1	0..255 <b>(0)</b>	1	-	
	Prio 2	0..255 <b>(0)</b>	1	-	
	Class	0..255 <b>(0)</b>	1	-	
	Accuracy	0..255 <b>(0)</b>	1	-	
<b>GM 2 Info</b>					

## Camera Menu Reference

### Diagnostics menu

Function:		Values:	U:	F:	Description:
	ID	<text>	1	-	ID of the PTP Grandmaster to which the camera is locked
	IP	<IP address>	1	-	IP address of the PTP Grandmaster to which the camera is locked
	Status	Listening, Calibrating, Locked, <b>Off</b>	1	-	Locking status of GM1
	Path Delay	<nnn>	1	-	
	Offset to Master	-30000..30000 ( <b>0</b> )	1	-	
	Prio 1	0..255 ( <b>0</b> )	1	-	
	Prio 2	0..255 ( <b>0</b> )	1	-	
	Class	0..255 ( <b>0</b> )	1	-	
	Accuracy	0..255 ( <b>0</b> )	1	-	
<b>Nmos Server</b>					
	Priority	0..255 ( <b>0</b> )	1	-	
	IP	<IP address>	1	-	
	Port	<port>	1	-	
	TxApplication		5	-	
	Private Data	<b>Off</b> , Active, NoDest	0	-	
<b>Reference</b>					
	UserSelect	SDI Input, <b>PTP</b> , TriLvl, Composite, FreeRun	0	-	Reference signal or source to lock the camera to (note: this is the same function as Configuration > Reference.
	Lock Source	<b>Unknown</b> , SDI Input, PTP, TriLvl, Composite, XF, FreeRun	0	-	Source to which the camera is currently locked.
	Lock Standard	<b>Unknown</b> , 1080i59, 1080i50, 720p59, 720p50, 1080p59, 1080p50, PAL, NTSC, SD, 4K50, 4K59	0	-	Video mode/standard to which the camera is currently locked.
	Locked	Yes, No, <b>Invalid</b>	0	-	Shows whether camera is locked or not.
<b>Video Inputs</b>					
<b>Extern 1</b>					
	Available	Yes, <b>No</b>	1	-	
	VideoMode	<b>Unknown</b> , SD, 1080i59, 1080i50, 720p50, 720p50, 1080pfs23, 1080p59, 1080p50, 4K59, 4K50, 4K47, 4K29, 4K25, 4K23	1	-	
<b>Extern 2</b>					

Function:		Values:	U:	F:	Description:
	Available	Yes, <b>No</b>	1	-	
	VideoMode	<b>Unknown</b> , SD, 1080i59, 1080i50, 720p50, 720p50, 1080pfs23, 1080p59, 1080p50, 4K59, 4K50, 4K47, 4K29, 4K25, 4K23	1	-	
<b>Extern 3</b>					
	Available	Yes, <b>No</b>	1	-	
	VideoMode	<b>Unknown</b> , SD, 1080i59, 1080i50, 720p50, 720p50, 1080pfs23, 1080p59, 1080p50, 4K59, 4K50, 4K47, 4K29, 4K25, 4K23	1	-	
<b>BNC-D</b>					
	Available	Yes, <b>No</b>	1	-	
	VideoMode	<b>Unknown</b> , SD, 1080i59, 1080i50, 720p50, 720p50, 1080pfs23, 1080p59, 1080p50, 4K59, 4K50, 4K47, 4K29, 4K25, 4K23	1	-	
<b>HDMI</b>					
	Connected	Yes, <b>No</b>	0	-	
	VideoMode	<b>Unknown</b> , 1080P50, 1080p59, 4K25, 4K29, 4K50, 4K59	0	-	
	SampleFormat	<b>RGB</b> , YCrCb	0	-	
	Bits	<b>8</b> , 10, 12	0	-	
	HdrMode	<b>SDR</b> , PQ, HLG	0	-	
<b>XF Transmission</b>					
	System Locked	<b>No</b> , Yes	0	-	
<b>Fiber</b>					
<b>Fib B (XCU-&gt;CAM)</b>					
	Cable Status	OK, Critic, Error, <b>NoSig</b>	0	-	
	Signal Status	OK, Critic, Error, <b>NoSig</b>	0	-	
	RX Margin	-100 dB..100 dB ( <b>0 dB</b> )	0	-	
	Signal Error Cnt	0..65535 ( <b>50</b> )	0	-	
<b>Fib A (CAM-&gt;XCU)</b>					
	Cable Status	OK, Critic, Error, <b>NoSig</b>	0	-	

Camera Menu Reference

Diagnostics menu

Function:		Values:	U:	F:	Description:
	Signal Status	OK, Critic, Error, <b>NoSig</b>	0	-	
	RX Margin	-100 dB..100 dB ( <b>0 dB</b> )	0	-	
	Signal Error Cnt	0..65535 ( <b>50</b> )	0	-	
<b>Ethernet Tunnel</b>					
	CAM	<b>Off</b> , 10Mb, 100Mb, 1000Mb	0	-	
	XCU	<b>Off</b> , On	0	-	
	Active	<b>No</b> , Yes	0	-	
<b>Transm Details</b>					
<b>Fiber</b>					
	Rx Margin		S	-	
	Signal Err Cnt		S	-	
	Ethernet Err/sec		S	-	
	Eye Value		S	-	
<b>Ethernet Load</b>					
	Rx Mb/sec		S	-	
	Tx Mb/sec		S	-	
<b>Ethernet Packets</b>					
	valid/sec		S	-	
	error		S	-	
	error/sec		S	-	
	FEC Corr		S	-	
	FEC Corr/sec		S	-	
<b>Ethernet Network</b>					
	Status		S	-	
<b>IP RX Info</b>					
	Loc IP		S	-	
	Port_Ch0		S	-	
<b>IP TX Info</b>					
	IP_Ch0		S	-	
	Port_Ch0		S	-	
	Stream Locked		S	-	
	Stream RxBuf_1		S	-	
	Stream RxBuf_2		S	-	
	Stream RxBuf_3		S	-	
<b>Streams</b>					
	Tx Available		S	-	



Function:		Values:	U:	F:	Description:
	Tx Not Used		S	-	
	Rx Requested		S	-	
	Rx Subscribed		S	-	
<b>Ethernet Tunnel</b>					
	MDIO		S	-	
	SGMII		S	-	
	PhySpeed		S	-	
	Tunnel Active		S	-	
	CAM		S	-	
	XCU		S	-	
	Rx Packets		S	-	
	Tx Packets		S	-	
<b>C2IP Trunk</b>					
	Rx Packets		S	-	
	Tx Packets		S	-	
<b>Configuration</b>					
<b>Camera</b>					
	Type			-	
	PID			-	
	Alias			-	
	Device ID			-	
	Number			-	
	Number			-	
	MPB Image			-	
	MPB Config			-	
	TXB Image			-	
	TXB Config			-	
<b>Viewfinder</b>					
	Type			-	
<b>XCU</b>					
	Type			-	
	Lens			-	
<b>Package Info</b>					
	Package			-	
	Code			-	
	Version			-	
	Component			-	

Camera Menu Reference

Diagnostics menu

Function:	Values:	U:	F:	Description:
Valid			-	
Code			-	
Version			-	

**Service Package**

Component	???	2	-	
Code	???	2	-	
Version	???	2	-	

**Temperature**

Warning	<b>None</b> , Front, Head, Mpb Fpga, Txb Fpga, Fan, Fan+T, !STOP!	2	-	
Fan Mode	Off, <b>Var</b> , Manual	2	-	
Fan Profile	Silent+, Silent, <b>Default</b> , Cool	2	-	
Manual Speed	3000 rpm..9000 rpm <b>(6000 rpm)</b>	2	-	
Fan Speed			-	

**Temp (C)**

Camera	-128 C..127 C <b>(0 C)</b>	2	-	
MPB FPGA	-128 C..127 C <b>(0 C)</b>	2	-	
Sitara	-128 C..127 C <b>(0 C)</b>	2	-	
TXB FPGA	-128 C..127 C <b>(0 C)</b>	2	-	
Front	-128 C..127 C <b>(0 C)</b>	2	-	
Sensor Red	-128 C..127 C <b>(0 C)</b>	S	-	
Sensor Green	-128 C..127 C <b>(0 C)</b>	S	-	
Sensor Blue	-128 C..127 C <b>(0 C)</b>	S	-	
Backpanel	-128 C..127 C <b>(0 C)</b>	2	-	

**Temp (F)**

Camera	-197 F..261 F <b>(0 F)</b>	2	-	
MPB FPGA	-197 F..261 F <b>(0 F)</b>	2	-	
Sitara	-197 F..261 F <b>(0 F)</b>	2	-	
TXB FPGA	-197 F..261 F <b>(0 F)</b>	2	-	
Front	-197 F..261 F <b>(0 F)</b>	2	-	
Sensor Red	-197 F..261 F <b>(0 F)</b>	S	-	
Sensor Green	-197 F..261 F <b>(0 F)</b>	S	-	
Sensor Blue	-197 F..261 F <b>(0 F)</b>	S	-	
Backpanel	-197 F..261 F <b>(0 F)</b>	2	-	

**Front**

Function:	Values:	U:	F:	Description:
PID		2	-	
Code		2	-	
Status	0..255 <b>(0)</b>	2	-	
<b>Red Sensor</b>				
Imager Gain	0 dB..6 dB <b>(0 dB)</b>	S	-	
<b>Green Sensor</b>				
Imager Gain	0 dB..6 dB <b>(0 dB)</b>	S	-	
<b>Blue Sensor</b>				
Imager Gain	0 dB..6 dB <b>(0 dB)</b>	S	-	
<b>Status</b>				
<b>PCB Status</b>				
Board		2	-	
PID		2	-	
Code		2	-	
Rev/Ed		2	-	
System Status	<b>Unknown, OK, Illegal, Illegal</b>	2	-	
<b>Status</b>				
State	<b>??, NoAccess, Recovered, Init, Valid</b>	S	-	
Oper.Hours	0..65535 <b>(0)</b>	S	-	
Oper.Hours (SXP)	0..65535 <b>(0)</b>	S	-	
Power Cycles	0..65535 <b>(0)</b>	S	-	
Minimum Temp	-128 C..127 C <b>(0 C)</b>	S	-	
Maximum Temp	-128 C..127 C <b>(0 C)</b>	S	-	
High Temp Warn.	0..65535 <b>(0)</b>	S	-	

## Service menu

Function:	Values:	U:	F:	Description:
<b>Test signals</b>				
Colour bar	<b>Off</b> , On	3	-	Enable/disable color bar
Test Signal	<b>Off</b> , On	3	-	Enable/disable test signal
Test Select	<b>SawT</b> , Step	3	-	Select Sawtooth or Stepped signal
<b>Licenses</b>				
Write Logfile	Exec, Busy	S	-	
<b>Diag Files</b>				
<b>File Selection</b>				
Camera AppLog	No, <b>Yes</b>	S	-	Select Yes to include Camera Applog in diagnostics file
Config Info	No, <b>Yes</b>	S	-	Select Yes to include Camera Config in diagnostics file
Settings Info	No, <b>Yes</b>	S	-	Select Yes to include Settings Info in diagnostics file
Usage Info	No, <b>Yes</b>	S	-	Select Yes to include Usage Info in diagnostics file
Network Info	No, <b>Yes</b>	S	-	Select Yes to include Network Info in diagnostics file
Storage	<b>None</b> , SDcard, USB, SD+USB	S	-	Select storage space for diagnostics files
Write Files	Exec, Busy, Abort	S	-	Shows writing status
Current File	<b>None</b> , Config, Usage, NetWork, Settings, AppLog	S	-	Shows file currently being written to storage space
<b>SD Card</b>				
Present	<b>Yes</b> , No	S	-	
Status	<b>Unknown</b> , Busy..., OK, Error, NonGV, Init..., Int. Error	S	-	
Format	<b>Off</b> , Running	S	-	
Copy to USB	Exec, Busy	S	-	
<b>Data Partition</b>				
Status	<b>Unknown</b> , Busy..., OK, Error, NonGV, Init..., Int. Error	S	-	
Space Left	0MB..65535MB	S	-	
Format	<b>Off</b> , Running	S	-	Select to format SD Card
<b>USB</b>				
Present	<b>No</b> , yes	S	-	
Space Left	0 MB .. 65535 MB	S	-	
<b>Calibrations</b>				

Function:	Values:	U:	F:	Description:
<b>3200K Calibr</b>				
3200K Calibr	<b>Off</b> , On	S	-	Select to run 3200K Calibration
3200K Reset	<b>Fact</b> , Cust	S	-	Resets 3200K Calibration data
<b>Vref Calibr-</b>				
Vref Calibr	<b>Off</b> , Running	S	-	Select to run Vref Calibration
Status	<b>Unknown</b> , Ok, Ready, Busy, Error, Abort, Filter Cap	S	-	Shows status of Vref Calibration
Progress	0%..100%	S	-	Progress of Vref Calibration procedure
<b>Black Calibr</b>				
Black Calibr	<b>Off</b> , Running	3		Select to run Black Calibration Note: this takes up to 80 seconds to complete
Status	<b>Unknown</b> , OK, Error, Fatal Error, Needed, Temp Low, Temp Unst, TimeOut, Temp Range, FullBIRec, Filter Cap, Running, Ready, Failed, Aborted	3		Shows status of the Black Calibration procedure
Progress	0%..100%	3		Progress of Black Calibration procedure
Act Temp	-128 C..127 C	3		Shows actual (current) camera temperature.
<b>White Calibr</b>				
User Calibr	<b>Off</b> , Running	S		Select to run User White Calibration
Status	Unknown, Error, Busy, OK, Ready, VidLvl	S		Shows status of White Calibration procedure
Progress	0%..100%	3		Progress of White Calibration procedure
User Clear	Exec, ...	S		Clears User White Calibration data
White Corr	Off, <b>On</b>	S		Enable or disable White Correction



# 8 Maintenance

## Licenses

### About options

With Grass Valley licenses it is possible to temporarily or permanently add one or more options to your LDX C135 / LDX C150 camera.

Contact your local Grass Valley representative for information about the availability and prices of the different options.

Options can be added to the camera by installing licenses.

### Installation procedure

Licenses have the form of a **.lic** file which is a plain text file containing one or more licenses for one or more cameras. In most cases, you obtained the license file as an email or file attachment after purchasing a license from Grass Valley.

Note: It may be necessary to extract the license file(s) from a compressed (zip) archive before proceeding.

#### Using a USB Flash Drive

Copy the license file to the root directory of a USB Flash Drive and insert the USB Flash drive into the USB connector at the back panel of the camera head.



#### Note

The file system of the USB Flash Drive must be FAT32.

---

### Adding licenses

- 1 In the camera menu, navigate to the **Licenses > New Licenses** menu.
- 2 Check the time, date and time zone settings in the **Time** menu. If these settings are correct, set the **Time & Date OK?** item to Yes and continue with step 5.
  - Date, time and time zone need to be set correctly before installing a temporary license. A temporary license uses these settings for its start date reference. Once a temporary license is activated, it will run until it is expired.
  - To confirm the correct setting of time and date, this step must be repeated after each power cycle.

- 3 If the time, date or time zone settings are incorrect, set the **Time & Date OK?** item to No and set the correct time in the **Change Time** menu and/or the correct date in the **Change Date** menu. After that, set the **Time & Date OK?** item to Yes.
- 4 Enter the **Find Licenses** menu and select **Search Next** to start searching for licenses on the USB Flash Drive.
  - During the search process, [...] is shown.
- 5 When a license is found, select **Add License** to install it.
  - License type, duration and start date (only for temporary licenses) are shown.
  - Up to 5 planned licenses are visible at the same time in the menu. More licenses can be installed; planned licenses show up when they become active.
- 6 Repeat steps 4 and 5 until all licenses are installed.
- 7 Finally, check the installed licenses in the **Licenses > Active Licenses** and the **Licenses > Planned Licenses** menus.

### NFC Feature

NFC stands for Near Field Communication which allows the camera to communicate with an NFC enabled device like a smartphone. For the LDX 100 Series, Grass Valley created the LDX Scanner, a free of charge application (app) for NFC enabled smartphones, both Android and IOS.

The LDX Scanner app of the smartphone powers the NFC chip in the camera (also when the camera is not powered) and enables two functions;

- Reading out status information of the camera
- Add Options/eLicenses to the camera

### Reading out status information of the camera

To read out a status information of the camera, proceed as follows;

- 1 Start the LDX Scanner app on your smartphone, hold the phone close to the NFC symbol on the left side of the camera and select **Scan Camera**.
- 2 After the phone activated the NFC chip in the camera, a status of the camera will be displayed on the phone that indicates:
  - a Camera info
    - Type
    - Type nr
    - Serial nr
  - b Package Info
    - Valid
    - Code nr
    - Version
    - Date
    - Updated on
  - c Active Licenses
  - d NFC Licenses Pending



e Camera Configuration

- Camera Mode
- IP Mode

f C2IP Configuration

- IP mode
- IP Address
- Subnet mask
- VLAN

### Add Options/eLicenses to the camera

To add a license, the purchased license needs to be emailed to the NFC enabled smartphone as an attachment. Open the attachment with the LDX Scanner app, then place the smartphone close to the NFC symbol on the right side of the camera and select **Add license** on the smartphone. The LDX Scanner app smartphone will get a confirmation message.

When a perpetual license is added, the camera will automatically activate the license after a power up or reboot. A daily license needs to be manually activated via the Licenses item in the viewfinder menu (because time and date verification is needed).



#### Tip

Websites such as <http://time.is/UTC> or [www.timeanddate.com](http://www.timeanddate.com) are a good source to find the correct date and time in a given time zone.

---

### Trial licenses

Trial licenses can be activated at any time; they expire after 3 minutes. You do not need a license file to activate them.

To activate a trial license, navigate to the **Licenses > Trial Licenses** menu and switch on the license you want to use.

Running a trial license is a good way of checking if your camera system is capable of running a specific functionality.

## Calibrations

### Black Calibration

In high-end broadcast cameras such as Grass Valley's LDX C135, Black Calibration is an automated procedure that improves the image quality by re-mapping black level for each pixel to keep a consistent sensitivity over the entire image.

The Black Calibration procedure should be applied in the following cases:

- mandatory: when the message "Black Calibration needed" appears in the viewfinder. This may occur (once) after a firmware update that includes an imager update. In some cases, it may take about a minute before this message appears.

- recommended: when the ambient temperature changes by more than 20 °C / 36 °F.
- 



**Tip**

The best results are achieved when camera settings and calibration conditions are similar to the intended shooting situation, for example, shortly before a shooting.

---

**How to apply**

To start the Black Calibration procedure proceed as follows:

- Switch on power and camera and wait for the system to become fully operational. To ensure the best black performance, wait until the camera has reached its operational temperature. This may take up to 30 minutes, depending on the ambient temperature.
- 



**Note**

The user level must be set to **Service** to access the Service menu.

Do not change Camera mode, Video mode and do not interrupt reference/locking during the calibration procedure.

---

- In the camera menu, go to the **Service > Calibrations > Black Calibr** menu and select the calibration temperature using the **Calibr Temp** item. There are two options: **37 C** (default) or **Act** (actual) temperature.
- Go to the **Black Cal** item and select it. The camera starts to warm up or cool down, depending on the ambient temperature and the selected calibration temperature. The lens is capped automatically and lens iris is closed during the calibration process. The Actual (current) temperature can be monitored using the **Act Temp** item.
- When the camera reaches the selected calibration temperature, the Black Calibration process starts. It takes up to 80 seconds to complete. During the process, you can monitor Black Calibration using the **status** item and a progress indication (%) is shown in the viewfinder.
- When the process is finished, the camera can be used normally.

**Note**

It is recommended to carry out Black Calibration when the camera is used under extreme ambient temperature conditions. Make sure to set the **Calibr Temp** item to **Act** before performing the calibration.

The results of the Black Calibration procedure are stored in the camera's internal memory. The new values are used after switching the camera off and on.

Black Calibration affects all video modes within one of the following clusters of video modes: (1080i and 1080p in single speed), (1080i and 1080p in 3X speed), in 4K video modes, 1080i and 1080p filmic modes and 4k filmic modes. The availability of video modes depends on installed licenses and camera types.

## Full Black

A quicker method to carry out Black Calibration (up to 15 s of running time) is the Full Black procedure. Full Black can be started both from the CGP and the camera system menu:

CAM

In the camera menu, go to the **Production Setup > Levels > Black** menu. Go to the **Full Black** item and select it to start the calibration.

The Full Black calibration procedure starts and takes approximately 10 to 15 seconds to run.

**Note**

The results of the Full Black procedure are NOT stored in the camera's internal memory: after switching off the camera the results are reset to their default values.

Black Calibration affects all video modes within one of the following clusters of video modes: (1080i and 1080p in single speed), (1080i and 1080p in 3X speed), in 4K video modes, 1080i and 1080p filmic modes and 4k filmic modes. The availability of video modes depends on installed licenses.

## Formatting the SD Card

In some situations it may be necessary to format the camera's internal storage (SD) Card. To format the SD Card, proceed as follows:

- Switch on the camera.

**Note**

The user level must be set to **Service** to access the Service menu.

- In the camera menu, go to the **Service > SD Card > Format** item and select it. The formatting process starts. It takes about one minute to complete.
- During the process, you can monitor the process using the **status** item.
- When the SD Card formatting has finished, the camera can be used normally.

## Updating camera software

The basic procedure to update a camera package is as follows:

- Go the Grass Valley to find the latest software package for your camera and download it to your local PC.
- Connect your PC to the C2IP network (make sure you use the correct IP range)
- Run the LDK Scripiter tool and connect to the LDX C135 / LDX C150.

Refer to the (embedded) documentation of the LDK Scripiter to follow the update procedure for the camera.

# Installation of (Q)SFP modules

## (Q) SFP modules configurations

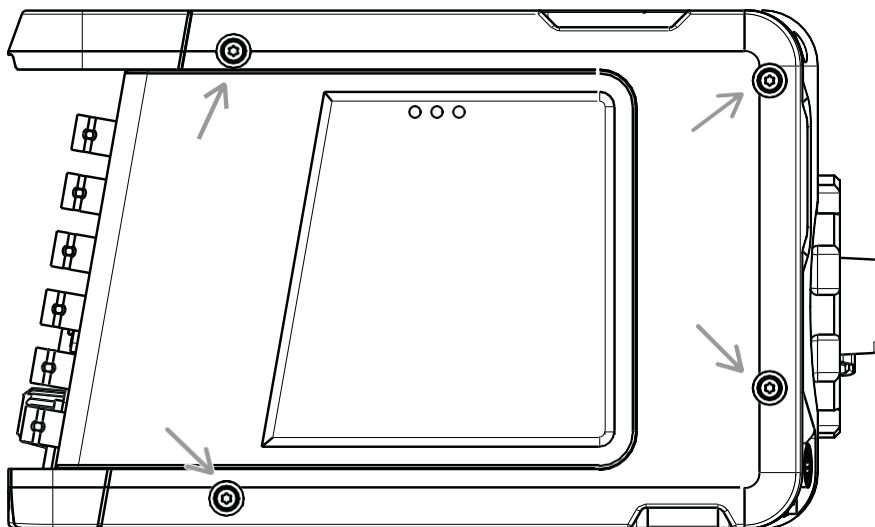
Depending on the workflow the optical connections of the camera need to be properly installed. This is done through internal installation of (Q)SFP modules.

(Q)SFP module configuration:	Workflow:	Camera mode:
none	Local/baseband mode	none
1: 1x 10G SFP (or 10/25G dual-rate SFP)	Legacy XCU modes	XCU
1: 1x 25G SFP	UHD	NativeIP
2: 2x 25G BiDi SFP	UHD with redundancy	NativeIP
3: 1x 100G QSFP	UHD	NativeIP

## Changing (Q)SFP modules

To install or exchange an (Q)SFP module proceed as follows:

- Switch off the camera.
- Use a Torx T10 screwdriver to loosen the four captive screws from the right side panel of the camera as indicated below:



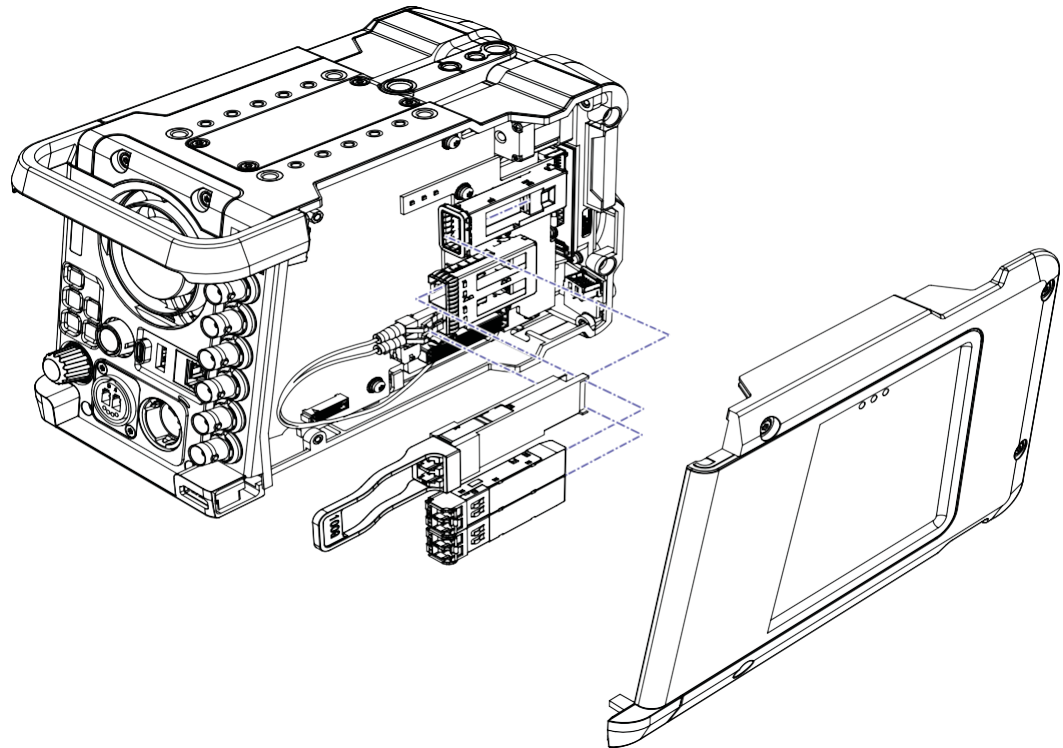
- Remove the right side panel completely. The optical cabling and (Q)SFP module(s) become visible.



**Note**

The inside of the panel holds the cooling pads for the (Q)SFPs. Make sure that they stay in place and do not get deformed. Keep them free from dirt.

---



- Remove the LC fiber(s) from the dummy SFP module. Make sure the cable (ferrule) ends keep clean.
- Carefully remove the inserted (Q)SFP module(s) from their case(s). If two SFP modules are inserted, remove them one by one.
- If needed, place the new (Q)SFP module(s) into the suitable cage(s). Unused (Q)SFP modules can be left in their cage, the camera automatically switches off (all) unused modules.
- AFTER placing the (Q)SFP module(s), insert the fiber cables according to the desired configuration in the next section.



**Caution**

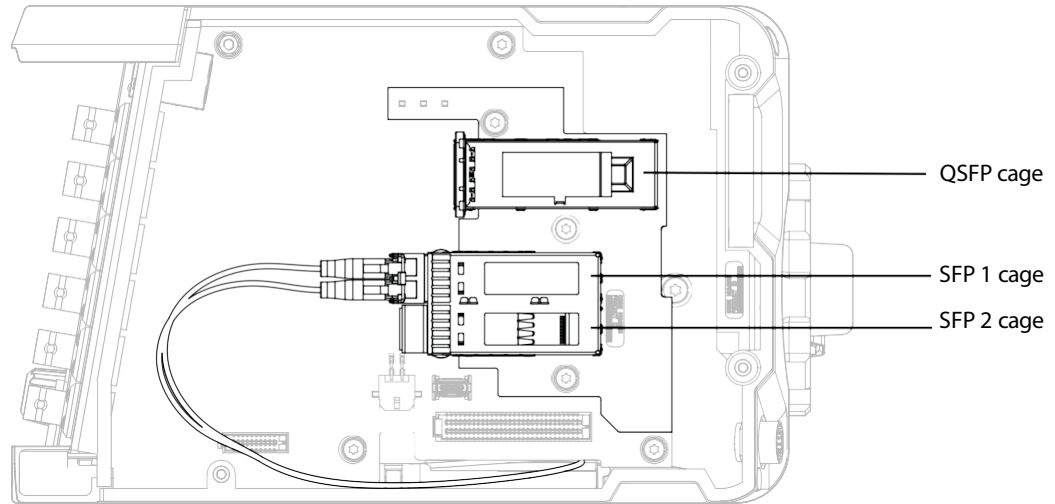
Only use (Q)SFP modules that comply to LASER CLASS 1.

---

### Configuration 1 (1x 25G SFP module)

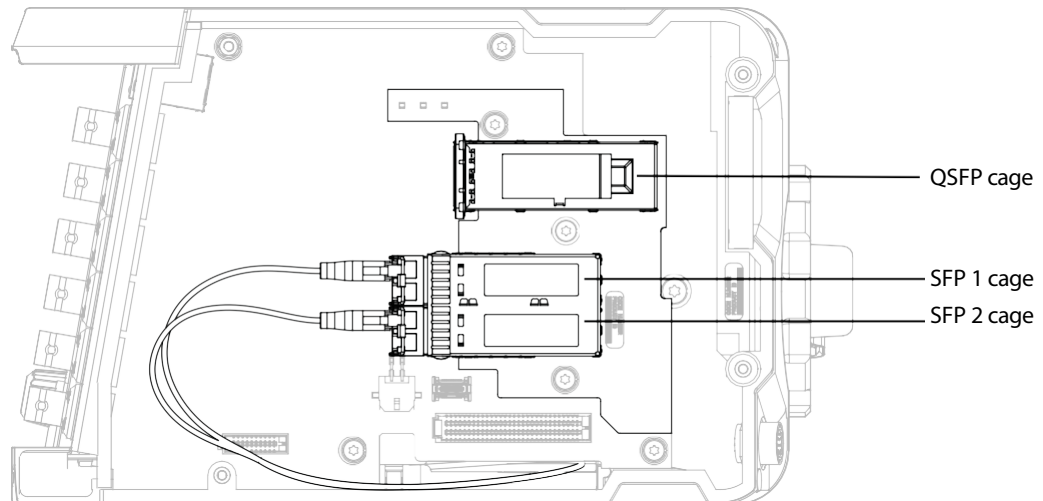
(also valid for 1x 10G/10G+25G dual-rate SFP module)

- Remove
- Insert fiber **A** into the top LC socket of the SFP module and insert fiber **B** into the bottom LC socket of the SFP module:



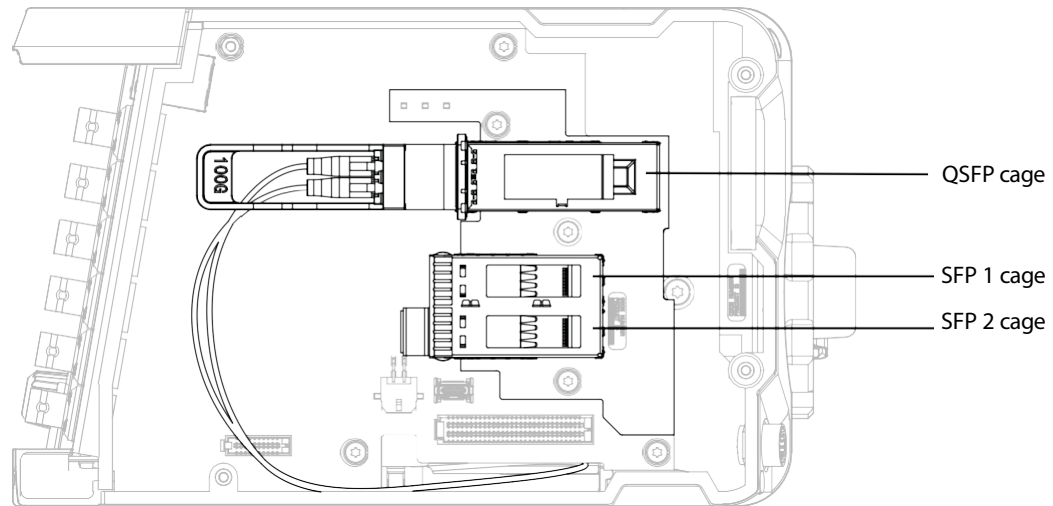
### Configuration 2 (2x 25G BiDi SFP modules)

Insert fiber **A** into the top LC socket of the SFP1 module and insert fiber **B** into the top LC socket of the SFP2 module:



### Configuration 3 (1x 100G QSFP module)

- Remove the plastic protection cap from the QSFP module (if present).
- Place the QSFP (without fibers) into the QSFP cage.
- Insert fiber **A** into the top LC socket of the QSFP module and insert fiber **B** into the bottom LC socket of the QSFP module.



- Reinstall the right side panel and tighten the four captive screws. Make sure that the screws are fixed hand-tight.
- The camera is now ready for operation with the new (Q)SFP configuration.

### List of (Q)SFP modules

The following (Q)SFP modules have been released for use with the LDX C135 / LDX C150:

manufacturer part number:	module type:	description:
Eoptolink EOLP-1325G-10-RI	25G/10G SFP SM 10 km 1310 nm	Single-Mode 1310 nm SFP28 Transceiver with DDM and dual CDR
Eoptolink EOLP-1396-10-I	10G SFP SM 10 km 1310 nm	Single-Mode 1310 nm 10GBASE-LW/LR Transceiver with DDM
Eoptolink EOLQ-161HG-10-LI	100G QSFP SM 10 km LR4	Single-Mode 100GBASE-LR4 QSFP28 Transceiver
EOLQ-161HG-02-SI1	100G QSFP SM 2 km CWDM4	Single-Mode CPRI/100GBASE CWDM4 2km QSFP28 Transceiver



#### Note

All listed modules have industrial specifications. Refer to your Grass Valley sales representative for availability and prices.





**Note**

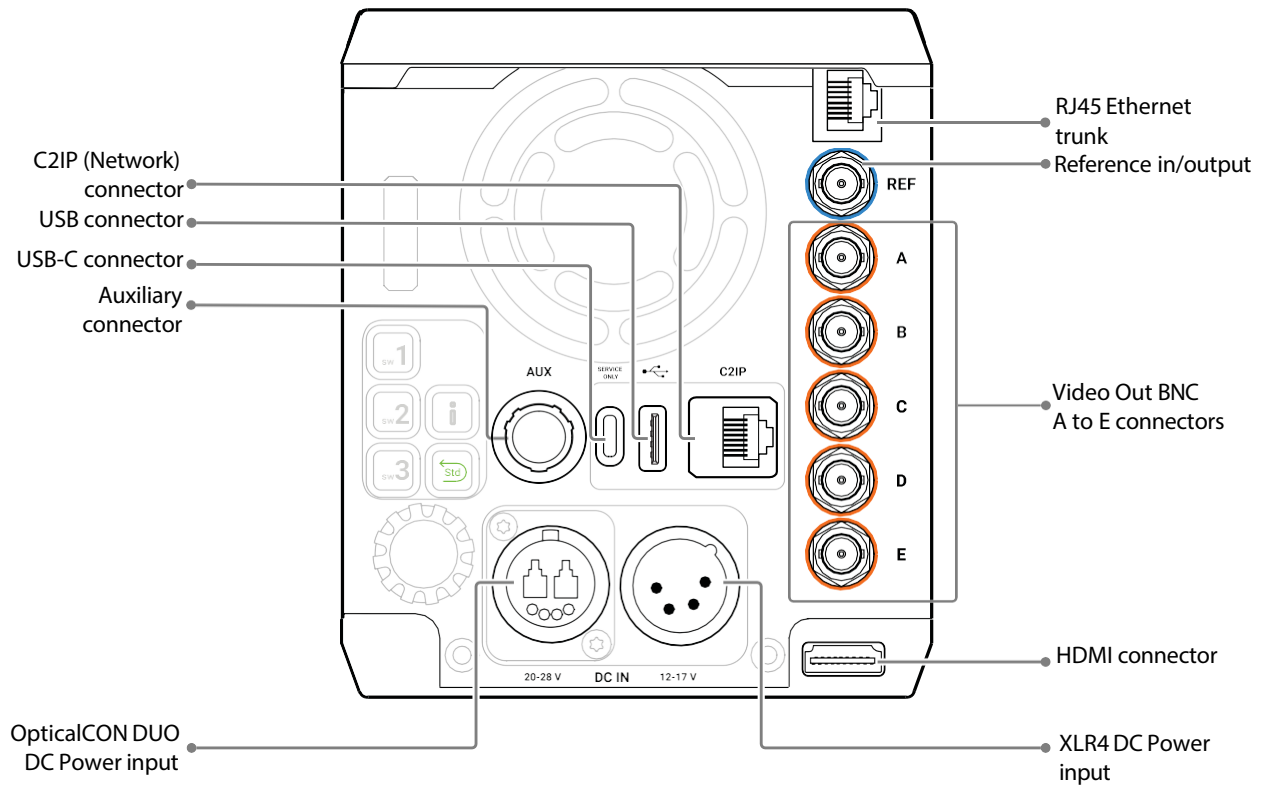
Make sure that the matching ('other end') (Q)SFPs in the IP switch have the same specifications.

---

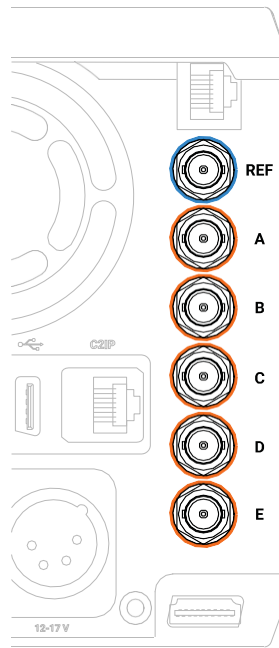


# 10 Connectors

## Connector locations



## BNC Video connectors



### Note

Available video modes and features depend on camera series and model and installed eLicense.

## 4K video modes

Video mode:	4K150/179 (3X) (LDX 150 only)	4K50/59 (1X)
Required option/license:	NativeIP + UHD 3X	NativeIP + UHD 1X
Required (Q)SFP module:	100G	25G
	<b>Outgoing streams (Cam to IP):</b>	
	4K Phase 1: 2160p (11.1 Gb/s) ST2110-22, HDR only	4K: 2160p (11.1 Gb/s) ST2110-22, HDR only

	<i>4K Phase 2:</i> 2160p (11.1 Gb/s) ST2110-22, HDR only	
	<i>4K Phase 3:</i> 2160p (11.1 Gb/s) ST2110-22, HDR only	
	<i>Live4K:</i> 2160p (11.1 Gb/s) ST2110-22, HDR only	
	<i>Live2K:</i> 1080p or 1080i <sup>1)</sup> (2.77 Gb/s) ST2110-22, HDR or SDR <sup>2)</sup>	<i>Live2K:</i> 1080p or 1080i <sup>1)</sup> (2.77 Gb/s) ST2110-22 or ST2022-6 <sup>3)</sup> , HDR or SDR <sup>2)</sup>
	<b>Incoming streams (IP to Cam):</b>	
	<i>Ext 1:</i> 2160p <sup>4)</sup> , 1080p or 1080i	
	<i>Ext 2:</i> 2160p <sup>4)</sup> , 1080p or 1080i	
	<i>Ext 3:</i> 1080p or 1080i	

- 1 To select the video mode for the Live2K signal, go to **Configuration > Signals > Live2K > Mode** and select <1080p> or <1080i>.  
To select the dynamic range for the *Live2K* signal, go to **Configuration > Signals > Live2K > Source** and select <HDR> or <SDR>.
- 2 To select the dynamic range for the Live2K signal, go to **Configuration > Signals > Live2K > Source** and select <HDR> or <SDR>.
- 3 To select the IP transport protocol for Live2K video, go to **Installation > Media Interface > Outgoing Streams > Live Video > Protocol** and select <ST2022-6> or <ST2110-22>.
- 4 Only full raster 4K is accepted — 4K with quadrants is not supported. A workaround for these signals is to use the first 1080p 2SI-quadrant.

#### 4K filmic video modes

Video mode:	4K23	4K25	4K29
Required option/license:	UHD FilmC	UHD FilmB	UHD FilmB
BNC-A	<i>video out:</i> 2160p@23.98 (6 Gb/s) ST2081- 10:2018+ST2036-1, HDR only	<i>video out:</i> 2160p@25 (6 Gb/s) ST2081- 10:2018+ST2036-1, HDR only	<i>video out:</i> 2160p@29.97 (6 Gb/s) ST2081- 10:2018+ST2036-1, HDR only
BNC-B	<i>Live2K:</i> 1080p@23.98 (1.5 Gb/s) ST292M+ST274 <sup>1)</sup> , HDR or SDR <sup>2)</sup>	<i>Live2K:</i> 1080p@25 (1.5 Gb/s) ST292M+ST274 <sup>1)</sup> , HDR or SDR <sup>2)</sup>	<i>Live2K:</i> 1080p@29.97 (1.5 Gb/s) ST292M+ST274 <sup>1)</sup> , HDR or SDR <sup>2)</sup>

## Connectors

### Connector locations

BNC-C	<i>Ext1,2,3 out:</i> 2160p@59 (not for <i>Ext3</i> ), 1080p@59, 1080psF@29   ST274 Annex A or 1080i@59	<i>Ext1,2,3 out:</i> 2160p@50 (not for <i>Ext3</i> ), 1080p@50, 1080psF@25   ST274 Annex A or 1080i@50	<i>Ext1,2,3 out:</i> 2160p@59 (not for <i>Ext3</i> ), 1080p@59, 1080psF@29   ST274 Annex A or 1080i@59
-------	--	--	--

Video mode:	4K23	4K25	4K29
BNC-D	<i>Ext1,2,3 out:</i> 2160p@59 (not for <i>Ext3</i> ), 1080p@59, 1080psF@29   ST274 Annex A or 1080i@59	<i>Ext1,2,3 out:</i> 2160p@50 (not for <i>Ext3</i> ), 1080p@50, 1080psF@25   ST274 Annex A or 1080i@50	<i>Ext1,2,3 out:</i> 2160p@59 (not for <i>Ext3</i> ), 1080p@59, 1080psF@29   ST274 Annex A or 1080i@59
	<i>Ext SDI in:</i> 2160p@59, 1080p@59, 1080psF@29   ST274 Annex A or 1080i@59	<i>Ext SDI in:</i> 2160p@50, 1080p@50, 1080psF@25   ST274 Annex A or 1080i@50	<i>Ext SDI in:</i> 2160p@50, 1080p@50, 1080psF@25   ST274 Annex A or 1080i@50
BNC-E	<i>Monitoring out:</i> 1080p@59 (with 3/2 pull-down), SDR only	<i>Monitoring out:</i> 1080p@50 (with 3/2 pull-down), SDR only	<i>Monitoring out:</i> 1080p@59 (with 3/2 pull-down), SDR only

- 1 This signal is progressive video only, not psF.
- 2 To select the dynamic range for the *Live2K* signal, go to **Configuration > Signals > Live2K > Source** and select <HDR> or <SDR>.

**Note**

External video inputs accept both HDR and SDR.

## Baseband video signals in XCU mode

In XCU mode, video signals are available as baseband signals at the BNC back panel of the XCU. Refer to the XCU UXF Series user's guide for an overview of available video signals.

**Note**

Make sure that you have installed the correct (Q)SFP modules that allow the selected video mode and required bandwidth. Refer to Appendix E for more information about installing (Q)SFP modules on the camera.

**Note**

High Speed UHD (3X) video modes are not available when the camera is in XCU mode. (for LDX C150 only).

## IP streams in XCU mode

In XCU mode, video signals are available as IP streams on the IP Media Network that is connected to the IP Media Bay on the back panel of the XCU. Refer to the XCU UXF Series user's guide for an overview of available video streams.

**Note**

Make sure that you have installed the correct (Q)SFP modules that allow the selected video mode and required bandwidth. Refer to [“Changing \(Q\)SFP modules” on page 117](#) for more information about installing (Q)SFP modules on the camera.

---

## Reference (REF) connector

---



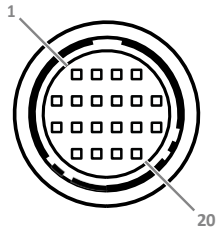
BNC connector

This connector is used to genlock the camera to a HD tri-level reference input signal. It also accepts an analog Black Burst (BB) reference signal.

This connector can be programmed to act as a reference input or reference output.



## Auxiliary connector (AUX)

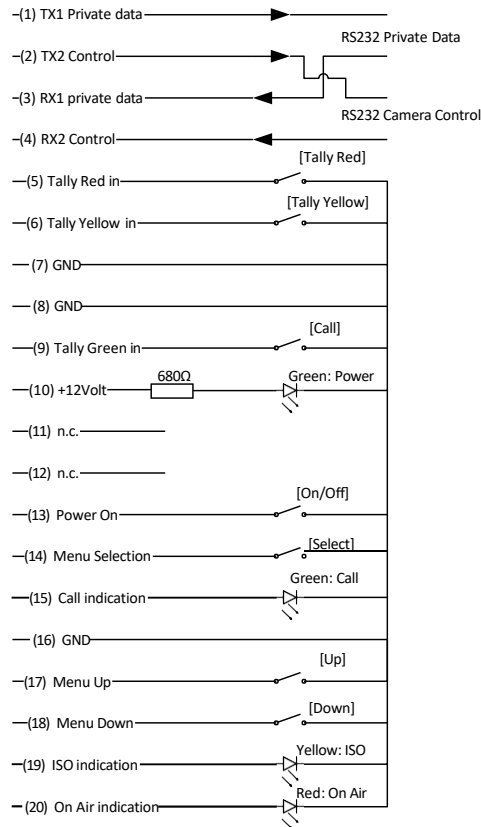


20- pin Hirose female connector (panel view)

Pin	Description	Pin	Description
1	Tx 1 RS232 (private data) RS 422 (Control)	11	Not connected
2	Tx 2 RS232/RS422(Control)	12	Not connected
3	Rx 1 RS232 (private data) RS422 (Control)	13	Power On (Open = On, GND = Off)
4	Rx 2 RS232/RS422 (Control)	14	Menu selection (GND = Select) (Assignable input)
5	Tally Red in (Open = Off, GND = On)	15	Call indication (High=On, Low= Off)
6	Tally Yellow in (Open = Off, GND = On)	16	GND
7	GND/Shielding	17	Menu Up (GND = Up) (Assignable input)
8	GND/Shielding	18	Menu Down (GND = Down) (Assignable input)
9	Tally Green in (Open = Off, GND = On)	19	ISO indication (High = On, Low = Off)
10	+12Volt (Max 100mA)	20	On Air indication (High = On, Low = Off )

Manufacturer code of the **mating** cable/plug connector: HR10A-13P-20P(C)

Below is an example for the wiring of the auxiliary connector:



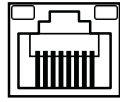
**Note:** RS232/422 camera control is prepared but not functional.

**Note**

Pin 14, 17, 18 are assignable inputs for both System camera's and Compact camera's to be able to use the same interconnection for the same functionality. (E.g.: tally inputs).

---

## C2IP (Network) connector



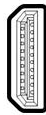
8-pin standard  
RJ-45 ethernet  
connector

Pin	Description
1	Transmit Data 1+ (TX_D1+)
2	Transmit Data 1- (TX_D1-)
3	Receive Data 2+ (RX_D2+)
4	BI_D3+
5	BI_D3-
6	Receive Data 2- (RX_D2-)
7	BI_D4+
8	BI_D4-

Ethernet 10/100/1000 Base-T  
compliant with IEEE-802.3 (edition  
2000)

## HDMI connector

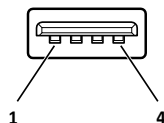
This connectors always delivers the Monitoring Video output signal.



HDMI (type A)  
connector  
(panel view)

Pin	Description	Pin	Description
1	TMDS Data 2+	11	TMDS Clock Shield
2	TMDS Data 2 Shield	12	TMDS Clock -
3	TMDS Data 2 -	13	CEC
4	TMDS Data 1+	14	Reserved
5	TMDS Data 1 Shield	15	SCL-HDMI
6	TMDS Data 1 -	16	SDA-HDMI
7	TMDS Data 0 +	17	GND
8	TMDS Data 0 Shield	18	+5V DC Power
9	TMDS Data 0 -	19	Hot Plug Detect
10	TMDS Clock +		

## USB connector

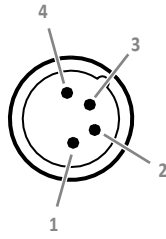


USB host  
connector

Pin	Description
1	+ 5 VDC
2	Data -
3	Data +
4	GND

USB type A connector (host)  
compatible with USB 2.0 standard

## DC Power input connector



XLR 4-pin male connector  
(panel view)

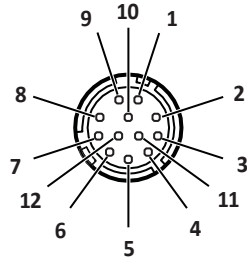
Pin	Description	
1	GND	Pins 1 & 2 are bridged
2	GND	
3	+12 to +17 V	Pins 3 & 4 are bridged
4	+12 to +17 V	



### Caution

Input voltage must not exceed 17 V.  
Total input current must be  $\leq 16$  A.  
Always use all 4 power pins.

## Lens interface connector



12-pin female connector

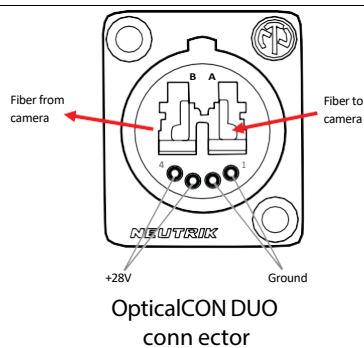
Pin	Description
1	External video on/off
2	VTR trigger switch
3	+13 VDC Return
4	Momentary iris
5	Iris control
6	+13 VDC (max 1.1 A) <sup>1)</sup>

Pin	Description
7	Iris follow
8	Lens servo
9	Range Extender
10	Zoom follow
11	RxD / Focus follow <sup>2)</sup>
12	TxD

<sup>1)</sup> When more than maximum power is drawn from the lens connector, the camera automatically shuts off power to the lens. A message ("Lens Power Error") is shown in the viewing output.

<sup>2)</sup> Focus Follow is not available for all lens types.

### OpticalCON DUO connector



Pin	Description
1	GND
2	GND
3	+20 to +28V
4	+20 to +28V



**Caution**

Input voltage must not exceed 28 V. Total input current must be  $\leq 6$  A when using OpticalCON DUO SMPTE cable. Always use all 4 power pins.



# 11 Specifications

## Specifications for LDX C135 / LDX C150 Compact Camera

### General

Power consumption (approx.)	100W (LDX C135), <150 W LDX150 highspeed)
Power Requirements	15 V or 28 V
Operating temperatures	-20 °C to +45 °C (-4 °F to 113 °F)
Weight	2.9 kg (6.6 lbs)
Dimensions (Width x Depth x Height)	120 x 225 x 140 mm (4.72 x 5.51 x 8.86 in)
Water protection	Compliant to IPX0

### Camera

Pickup Device	3x2/3" Xensium HP CMOS imagers
Picture elements	3840 (H) x 2160 (V) pixels
Smear	No vertical smear
Shutter	No mechanical shutter
Optical system	F1.4 prism
Lens mount	2/3" bayonet (B4 type) lens mount
Optical filters	First wheel: Clear, 1/4 ND, 1/16 ND, 1/64 ND; Second wheel: Clear, 4 point star, soft focus
Electronic color correction	3200 K, 5600 K, 7500 K, FL, 2 AWB presets, Variable, Continuous Auto White.
Exposure	Electronic exposure down to 1/2000 s

## Supported video modes

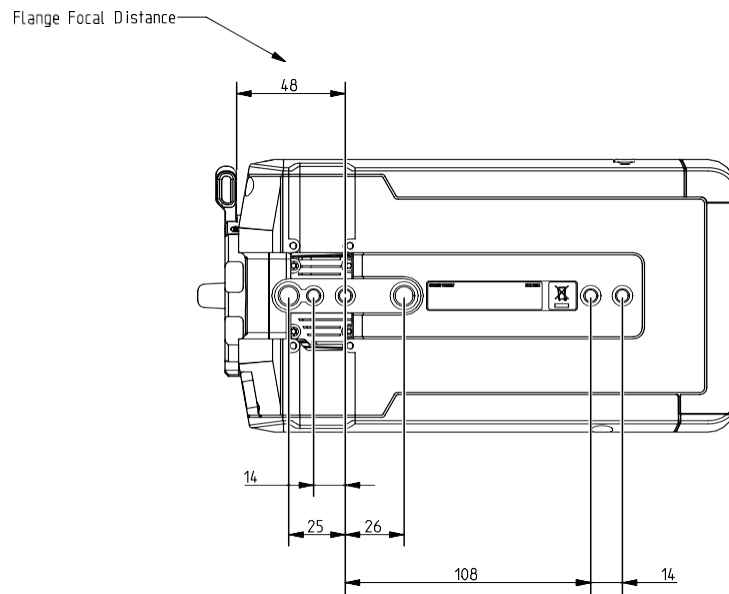
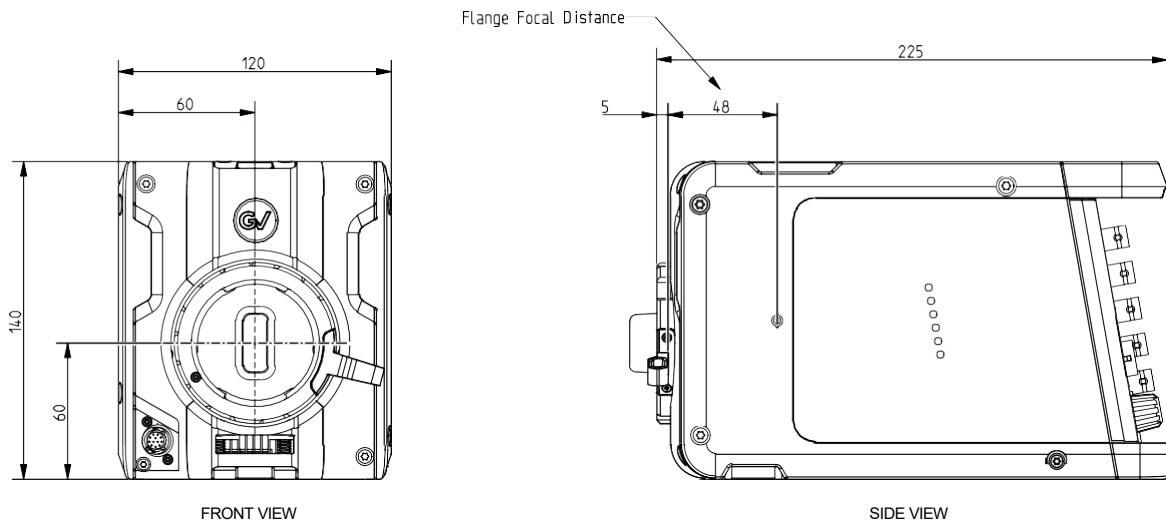
Supported video modes	LDX C135: 1080p50/59.94 1080i50/59.94 1080PsF23.98/24/25/29.97 3840x2160p50/59.94 (4K) LDX C150: 3840x2160p150/179 1080p150/179 1080i150/179 1080p300/359 1080i300/359
-----------------------	--

## Signals and connectivity

USB connector	USB 2.0
Ethernet	RJ-45 type 10/100/1000 Base-T compliant with IEEE-802.2 (edition 2000)
C2IP	RJ-45 type 10/100/1000 Base-T compliant with IEEE-802.2 (edition 2000)
Lens connector	12-pin Hirose
Viewing output (HDMI)	HDMI
— A —	BNC connector 1.0 Vpp; 75 Ω
— B —	BNC connector 1.0 Vpp; 75 Ω
— C —	BNC connector 1.0 Vpp; 75 Ω
— D —	BNC connector 1.0 Vpp; 75 Ω
— E — (HD/MON)	BNC connector 1.0 Vpp; 75 Ω
Reference input/output (REF In/Out)	BNC connector 1.0 Vpp; 75 Ω
Auxiliary	20p Hirose data connector with serial connection, remote control lines and tally control.
DC power input	15 VDC (12 to 17 VDC), XLR-4 male
OpticalCON DUO	28VDC (20-28VDC, Fiber In/Out (LC)



# Dimensions



BOTTOM HOLE PATTERN VIEW  
(TOP AND BOTTOM HOLE  
PATTERNS ARE IDENTICAL)



# 12 Available Options

## **À la carte Temporary Software Options**

The LDX C135 / LDX C150 series allows you to upgrade feature by feature, perpetually or just for one day using an à la carte model. Daily (or multiple day) options can be created in the customer's secured B.O.W.L. web portal. A section dedicated to the Compact-series are available from the portal.

Any available option can be easily activated in the Compact-series section of the B.O.W.L. web portal using Option Credit Points as described below:

- **9-0110000108-9:** UHD Filmic Option, perpetual
  - Requires 9-0110000105-9, if no UHD option is available only HD Filmic modes are available
- **9-0110000110-9:** Native IP Option, perpetual
- **9-0110000111-9:** Direct Ip PLUS Option, perpetual
- **9-0110000112-9:** GPS Option, perpetual
- **9-0110000113-9:** Proxy Video Option, perpetual
- **9-0110000114-9:** Jpeg XS Option, perpetual
- **9-0110000101-9:** HD 3-speed, perpetual (LDX C150 only)
- **9-0110000103-9:** HD Filmic Option, perpetual
- **9-0110000105-9:** UHD 1-speed, perpetual (LDX C150 only)
- **9-0110000106-9:** UHD 3-speed, perpetual (Requires 9-0110000105-9 and 9-0110000110-9, if no UHD option is available only HD 3-speed modes are available. LDX C150 only)





## **Grass Valley Technical Support**

For technical assistance, contact our international support center, at 1-800-547-8949 (US and Canada) or +1 530 478 4148.

To obtain a local phone number for the support center nearest you, please consult the Contact Us section of Grass Valley's website ([www.grassvalley.com](http://www.grassvalley.com)).

An online form for e-mail contact is also available from the website.

## **Corporate Head Office**

Grass Valley  
3499 Douglas-B.-Floreani  
St-Laurent, Quebec H4S 2C6  
Canada  
Telephone: +1 514 333 1772  
Fax: +1 514 333 9828  
[www.grassvalley.com](http://www.grassvalley.com)