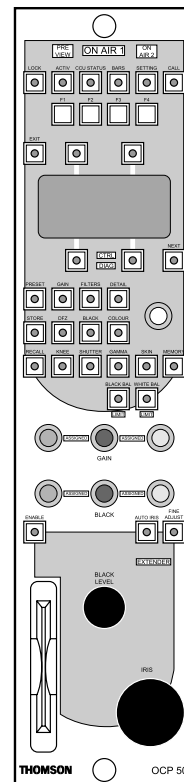
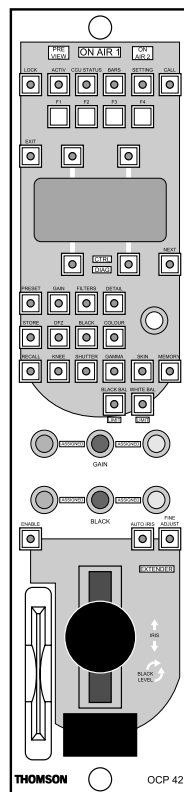


# PUPITRES OCP 42/OCP 50

## OCP 42/OCP 50 PANELS



# MANUEL TECHNIQUE

## TECHNICAL MANUAL

### B1500M24MA

Ce document et toute mise à jour et/ou complément d'information, ainsi que leurs copies, ne peuvent en aucun cas être reproduits, ni communiqués à une tierce partie, sans autorisation écrite de **THOMSON broadcast systems**.

*This document and any updates and/or supplemental information, including any copies thereof, can not be reproduced, neither communicated to a third party, without written authorisation from **THOMSON broadcast systems**.*

© 2000  
**THOMSON**  
broadcast systems  
All rights reserved.

PAGE BLANCHE

BLANK PAGE

---

# **SOMMAIRE / CONTENTS**

## **CHAPTER 1**

**OCP 42 ..... 3**

## **CHAPTER 2**

**OCP 50 ..... 5**



---

# Chapter 1

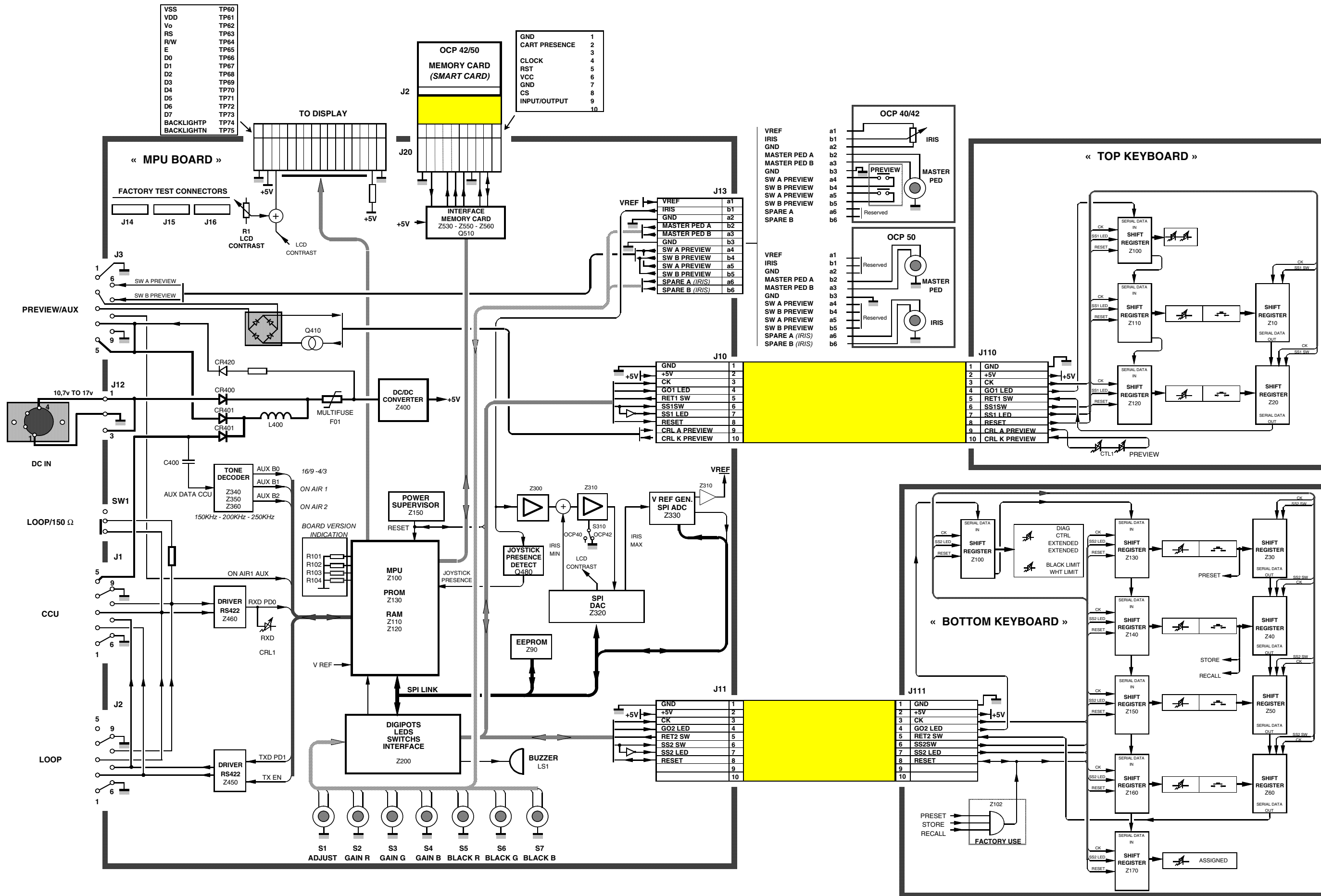
## OCP 42

<b>OCP42</b>			<b>B1500526AA</b>
	<b>Schema</b>	<b>Layout</b>	<b>Part list</b>
<b>BLOCK DIAGRAM</b>	BD0 1/1		
<b>INTERCONNECTION</b>	46153997AA/B-050		46153997AA
<b>ASSEMBLED OCP42</b>	46153997AA/D-040		46153997AA
<b>OCP 42 JOYSTICK</b>	46153835AA/D-040		46153835AA
<b>CABLED JOYSTICK</b>	46153899AA/C-040		46153899AA
<b>TOP KEY BOARD</b>	4A150344/A-030	4A150344/A-046	4A150344
<b>BOTTOM KEY BOARD</b>	4B150345/A-030	4B150345/A-046	4B150345AB
<b>MPU BOARD</b>	4C150343/F-030	4C150343/A-046	4C150343AB
<b>SMARTCARD</b>	46150624AB/A-030	46150624AB/A-046	46150624AB



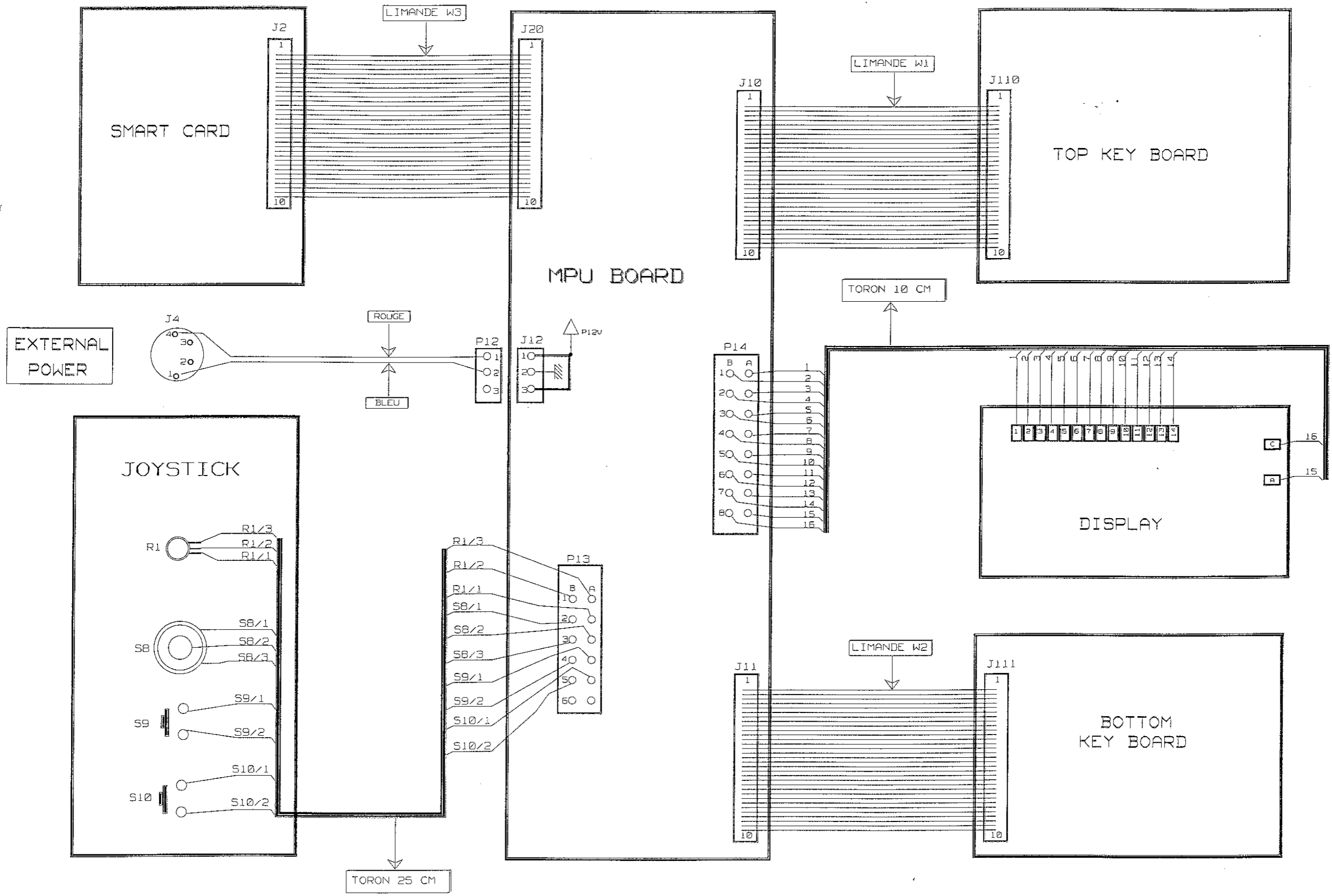
SITE: ZREF

Niv.	Composant	Rév	P/M	T	Fa	Description	Description	Qté	lien	UM
Compos	B1500526AA	02	M			CACC OCP 42	for 1657(D)/ 1557D/ 1707			EA
1	46153997AA	05	M	X		**** CHASSIS CABLE OCP42		1,0		EA
.2	1B518718AE	01	M			CARP PANEL PUPITRE OCP	PUPITRE OCP 40	1,0		EA
.3	4A150344	2	M	X	oui	CART TOP KEY BOARD		1,0		EA
.3	4B150345AB	1	M	X	oui	CART BOTTOM KEY BOARD		1,0		EA
.3	4C150343AB	02	M	X	oui	CART MPU BOARD OCP40/50		1,0		EA
.2	46150624AB	01	M			CART SMARTCARD		1,0		EA
.2	46153899AA	2	M	X	oui	JOYS COMMANDE CABLE		1,0		EA
.3	46153835AA	2	M			---- MONOCOMANDE	ASSEMBLE OCP42	1,0		EA
.3	46153898AA	2	M	X	oui	KIT. DE CABLAGE MON	OCP4 OCP 42	1,0		EA
.2	46153998AA	03	M	X		KIT. KIT MECA OCP 42		1,0		EA
.2	47017050		M	X	oui	PROG Z 200		1,0		EA
.2	47033512AA	1	M		oui	ETIM PRODUIT STANDARD		1,0		EA
.2	47232228AB	02	M		oui	KIT. KIT SMART-CARD		1,0		EA
.2	47232541AC	01	M	X		PROG Z 130		1,0		EA
1	47019048AA	1	M			LCAB ACCESSOIRES ET CABL	OCP 40	1,0		EA
.2	39962451	1	M	X	oui	CABC LIMANDE EQUIPEE	RACCORDEMENT PUPITRES	1,0		EA
1	AMMOUTIL		M			AMMO CONTRIBUTION OUTILL		2,0		EA
1	CONFIGPV		M			---- CONFIGURATION PRISE	UE	0,75		EA





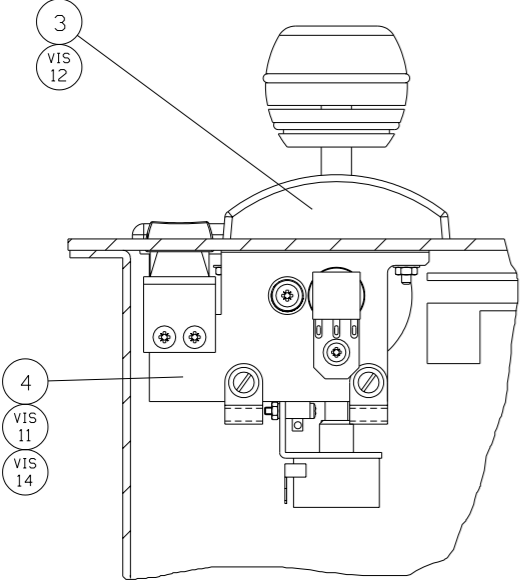
ALL RIGHTS RESERVED  
 Contents of this document may not be reproduced in any form  
 nor transmitted to a third party without the written permission  
 of an authorized person of THOMSON BROADCAST



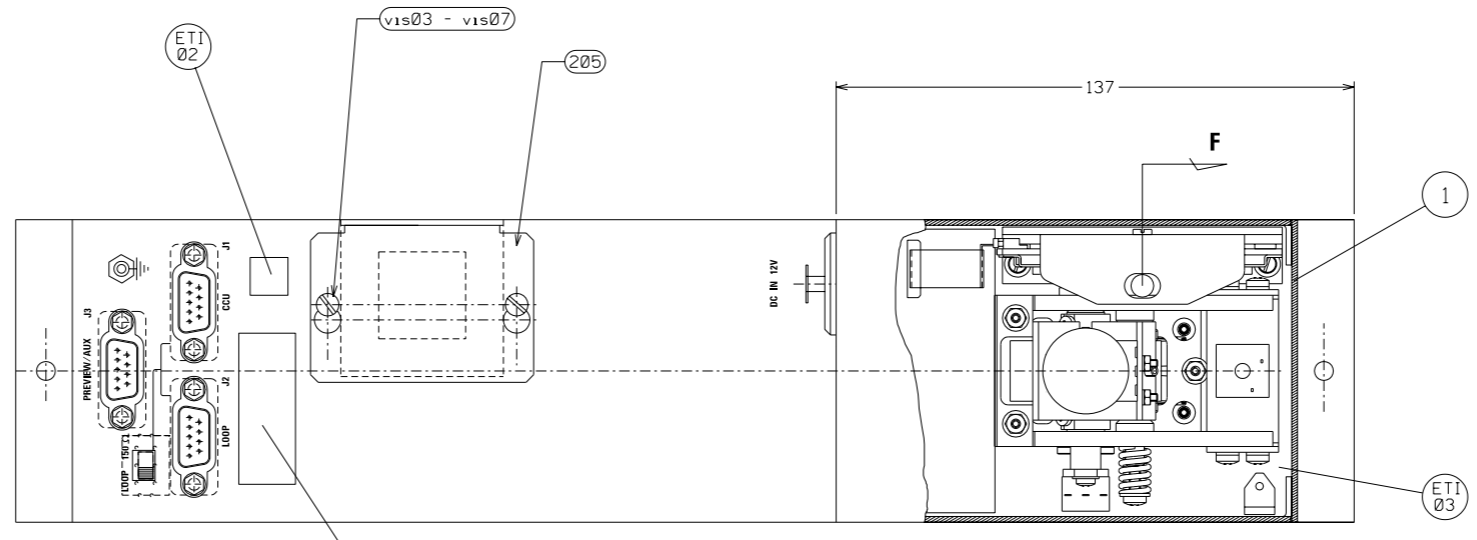
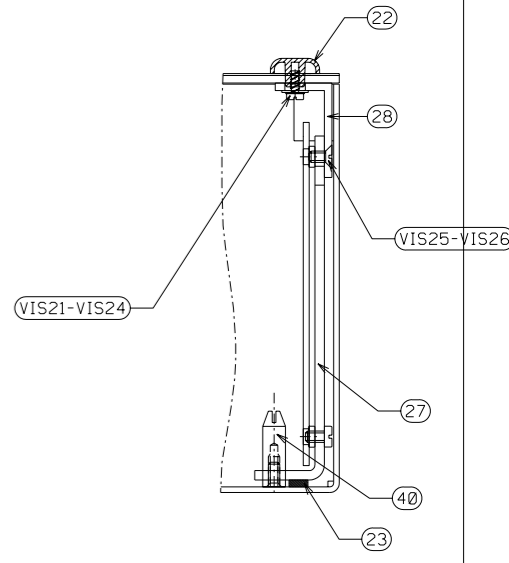
TITLE		OCP42				
<b>INTERCONNECTION</b>						
<b>THOMSON</b>	BROADCAST SYSTEMS	DRAWING No	REV	CODE	SIZE	SHEET
		46153997AA	B	050	3	01/01

ALL RIGHTS RESERVED  
 Contents of this document may not be reproduced in any form  
 nor transmitted to a third party without the written permission  
 of an authorized person of THOMSON BROADCAST

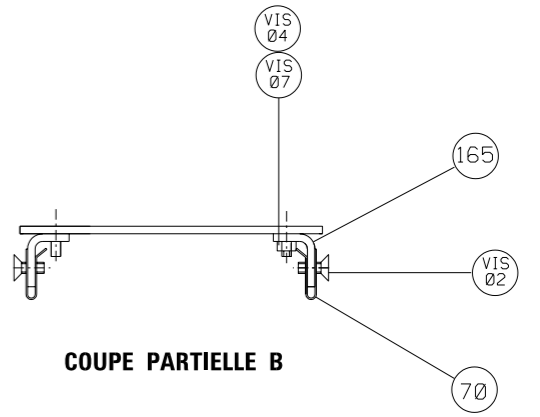
COUPE PARTIELLE CC



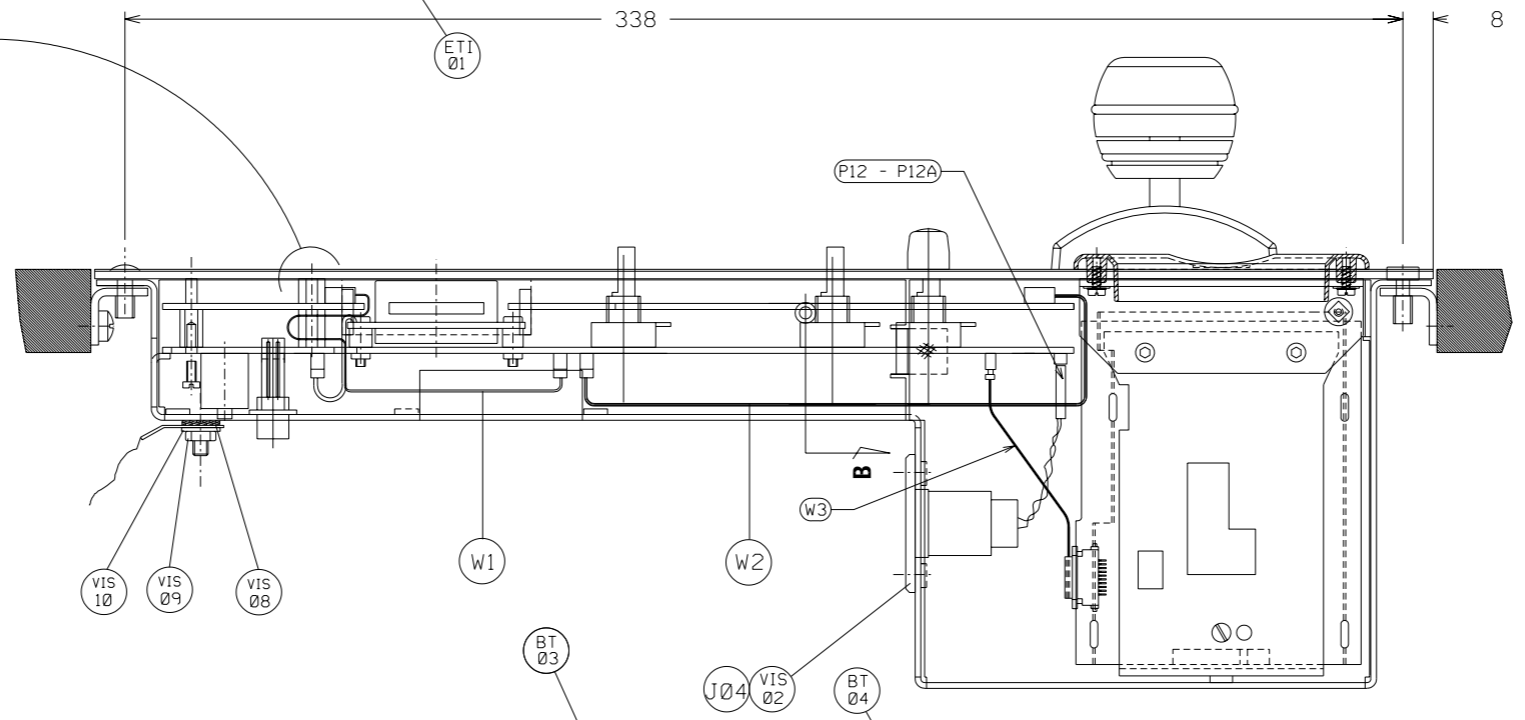
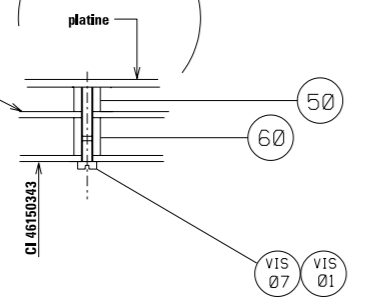
COUPE PARTIELLE F



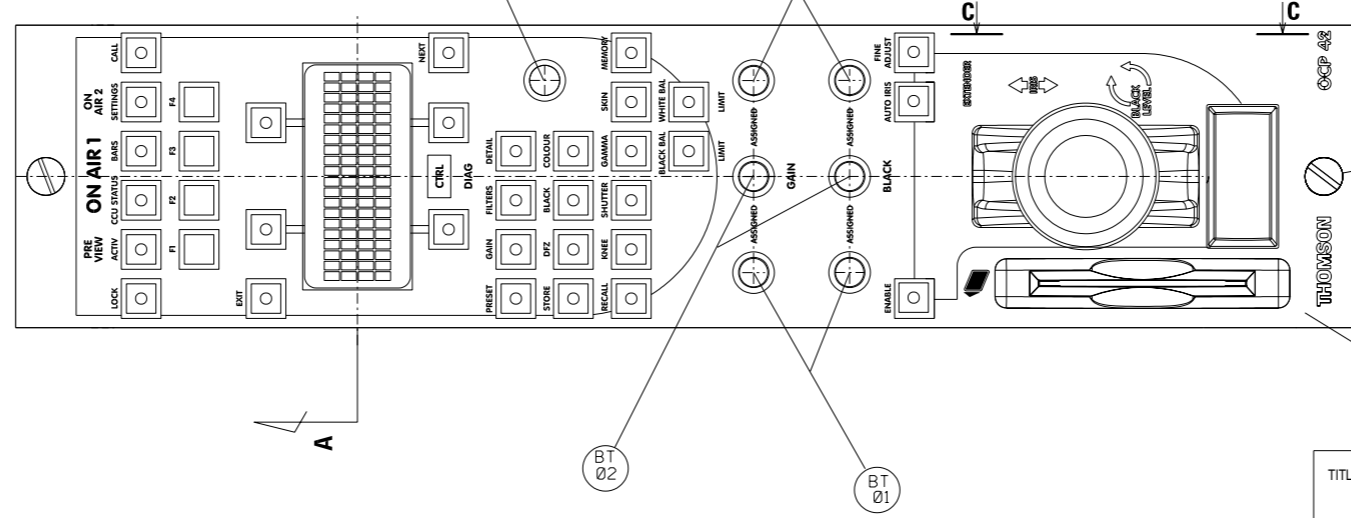
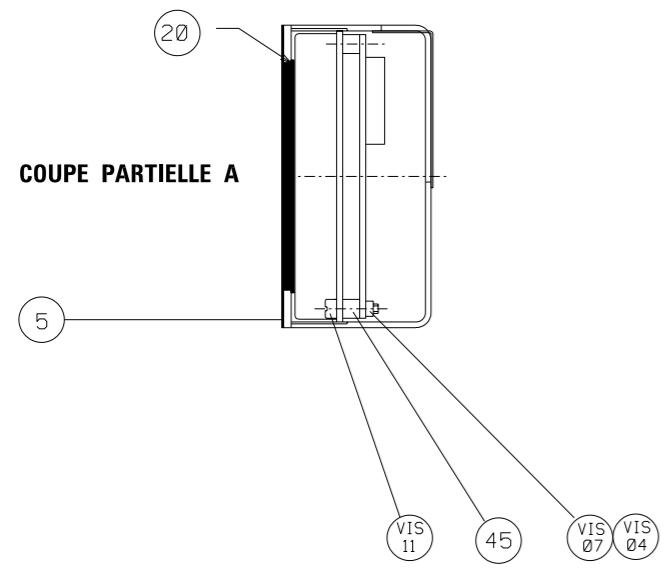
COUPE PARTIELLE B



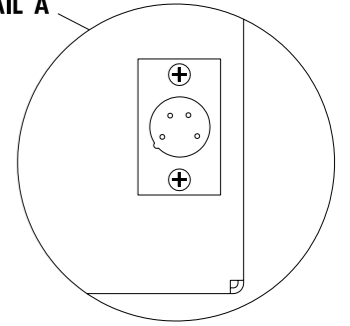
CI 46150344-46150345



COUPE PARTIELLE A



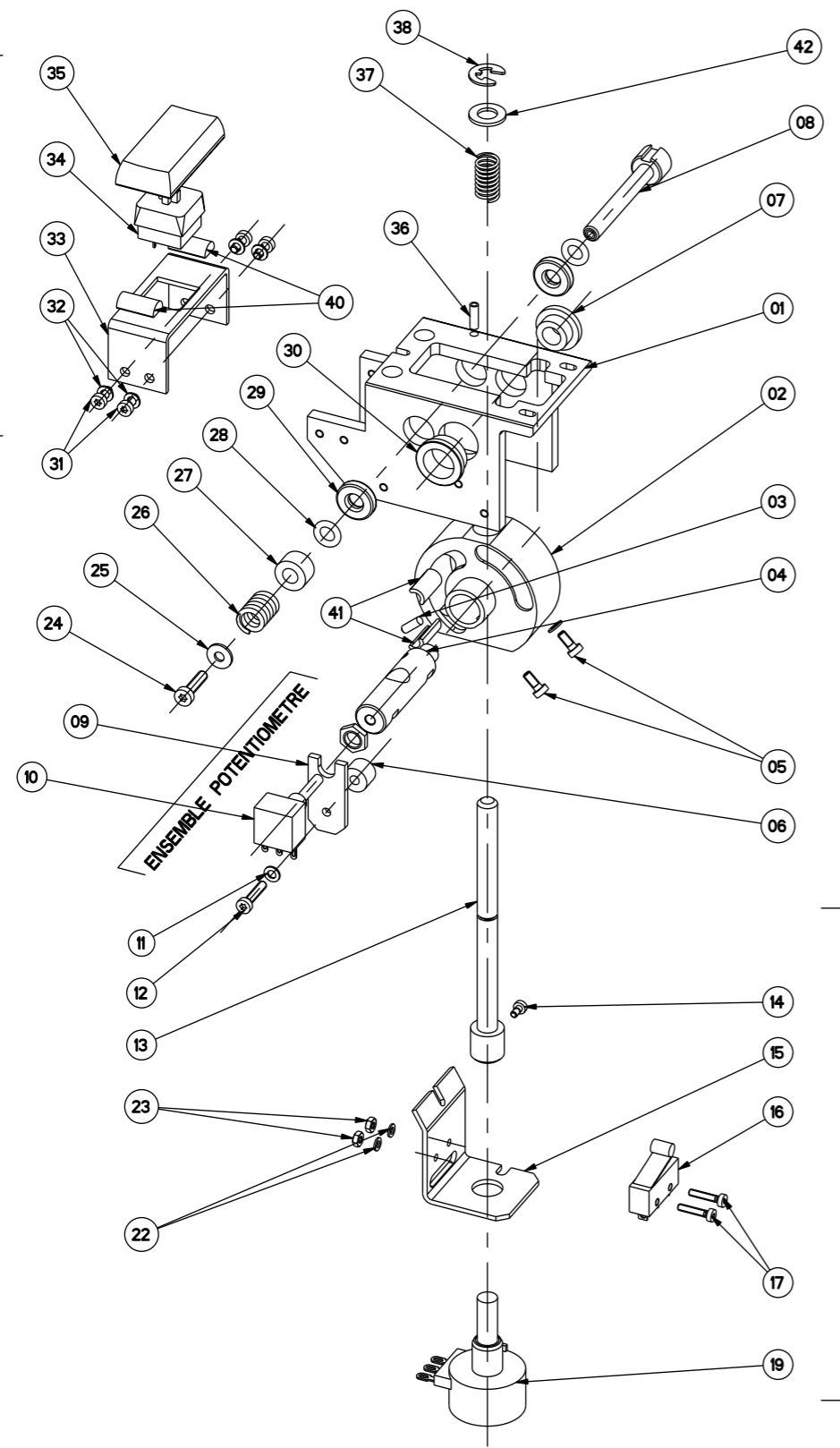
DETAIL A



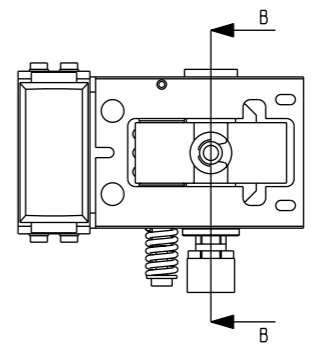
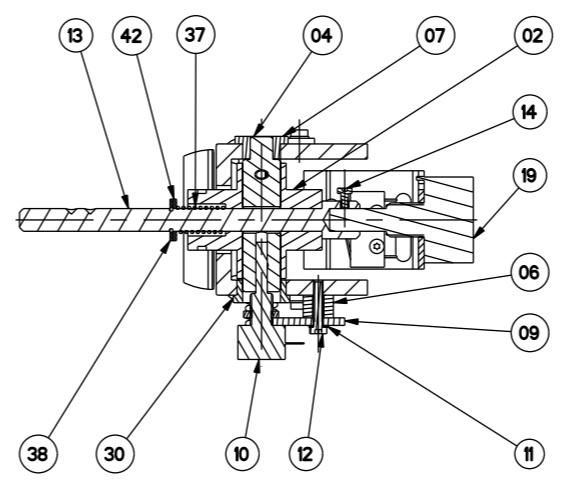
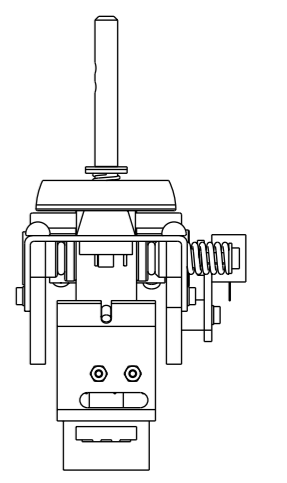
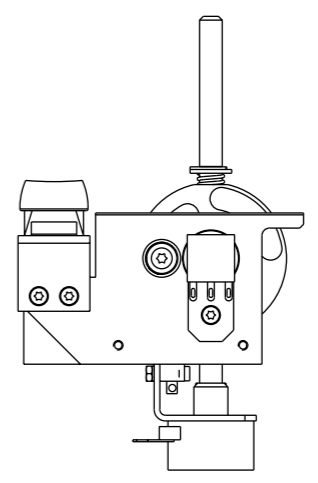
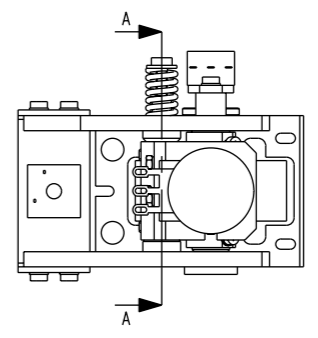
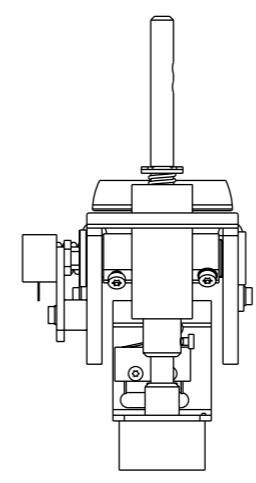
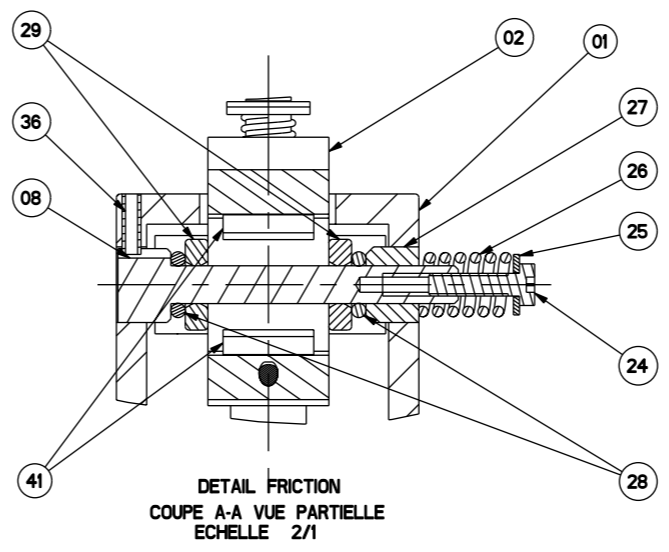
TITLE		OCP42				
<b>ASSEMBLED OCP42</b>						
<b>THOMSON</b> BROADCAST SYSTEMS	DRAWING No	REV	CODE	SIZE	SHEET	
	46153997AA	D	040	1	01/01	

ALL RIGHTS RESERVED  
 Contents of this document may not be reproduced in any form  
 nor transmitted to a third party without the written permission  
 of an authorized person of THOMSON BROADCAST

ENSEMBLE PREVIEW

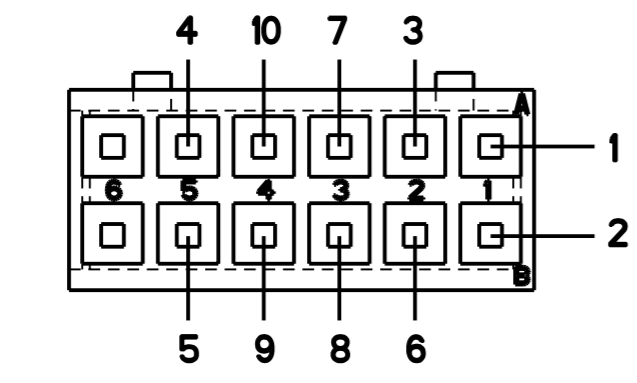
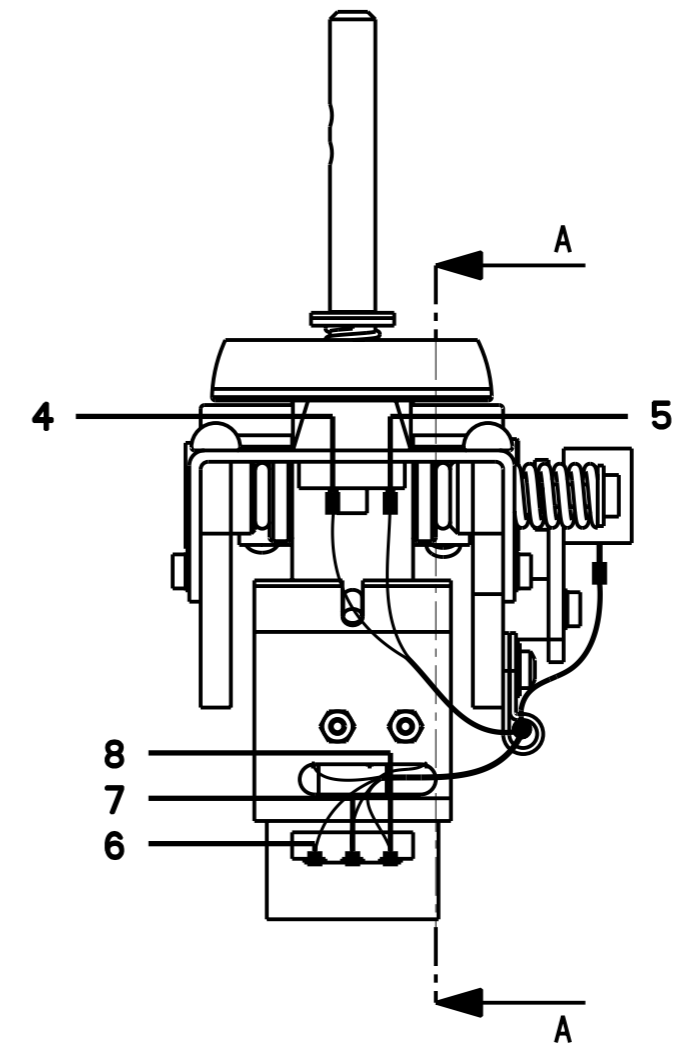
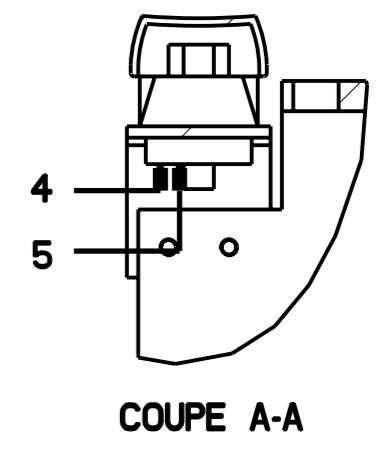
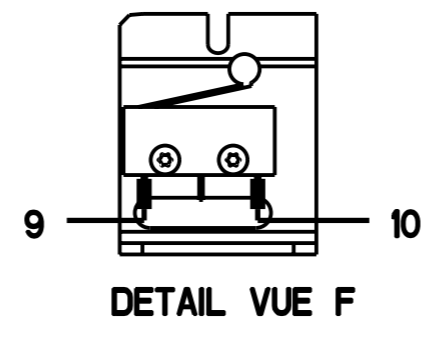
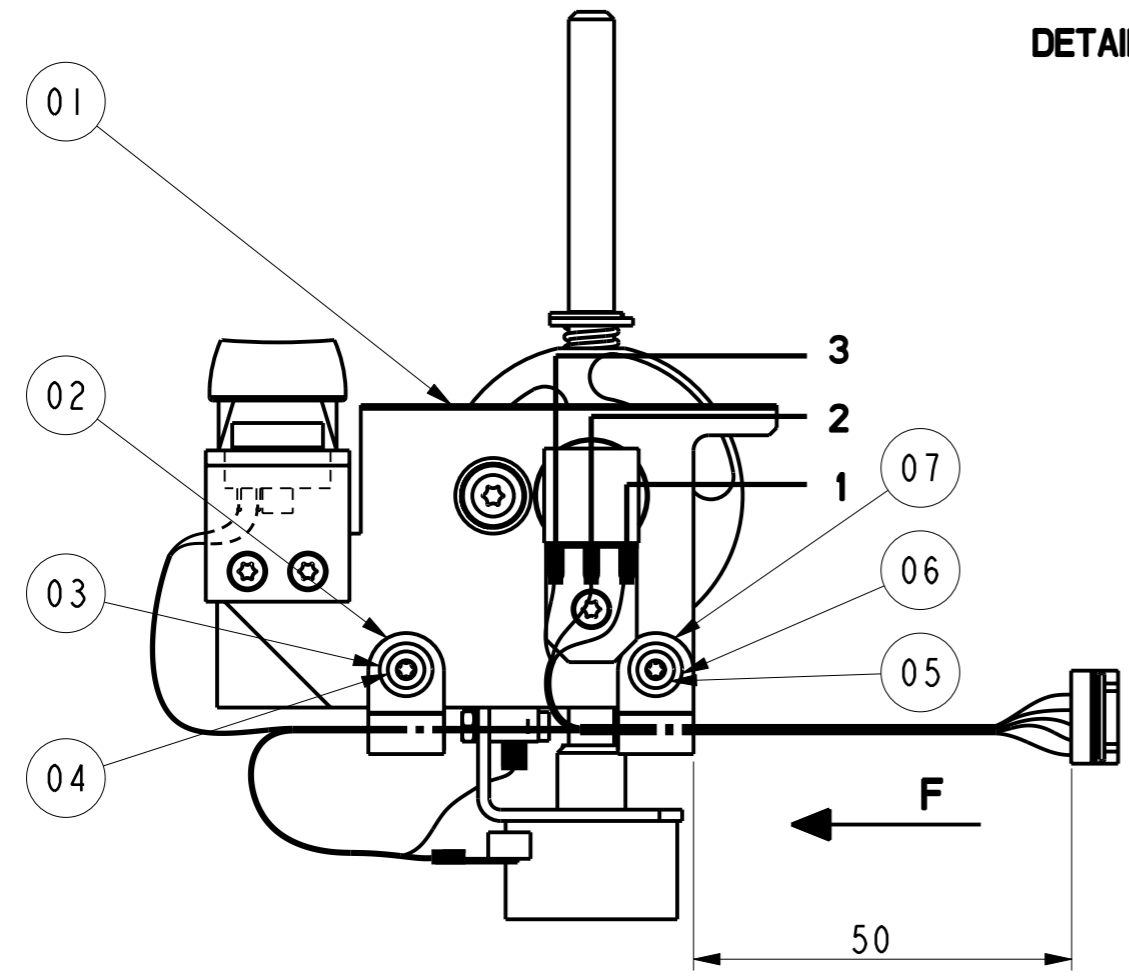


ENSEMBLE DIGIPOT



TITLE		OCP42				
THOMSON BROADCAST SYSTEMS		DRAWING No	REV	CODE	SIZE	SHEET
		46153835AA	D	040	1	01/01

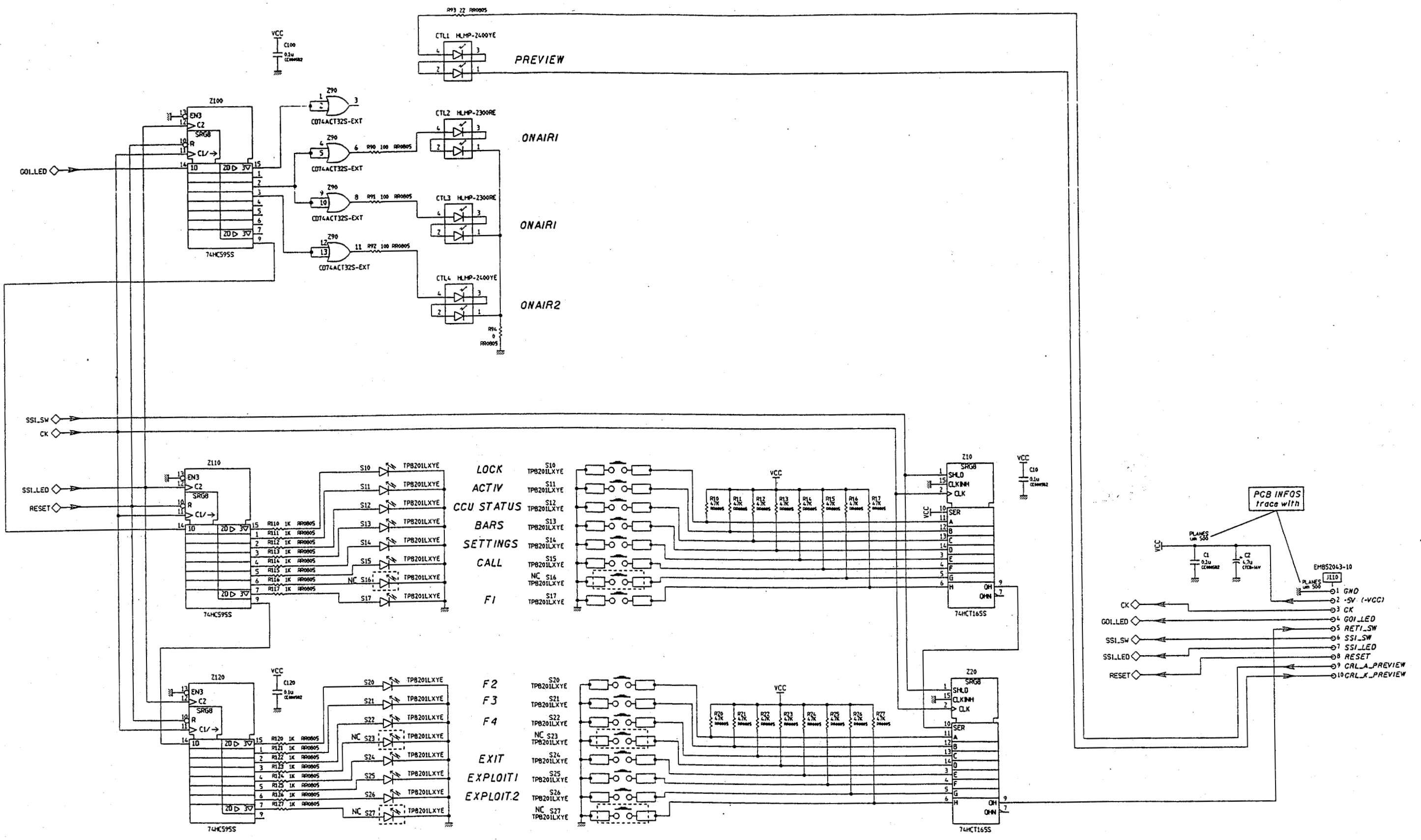
ALL RIGHTS RESERVED  
 Contents of this document may not be reproduced in any form  
 nor transmitted to a third party without the written permission  
 of an authorized person of THOMSON BROADCAST



RACCORDEMENT CONNECTEUR  
 VUE COTE ENFICHAGE DES FILS

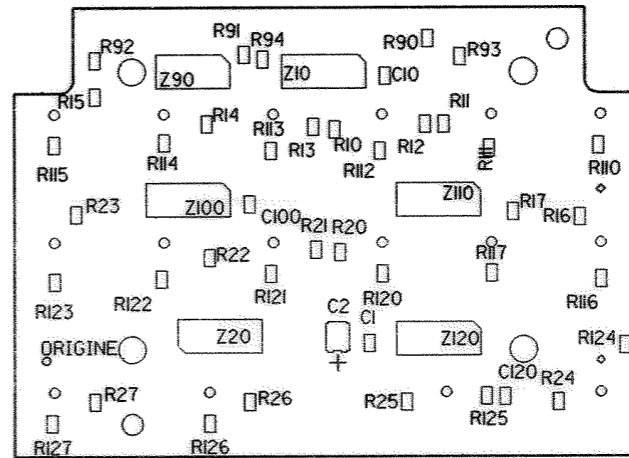
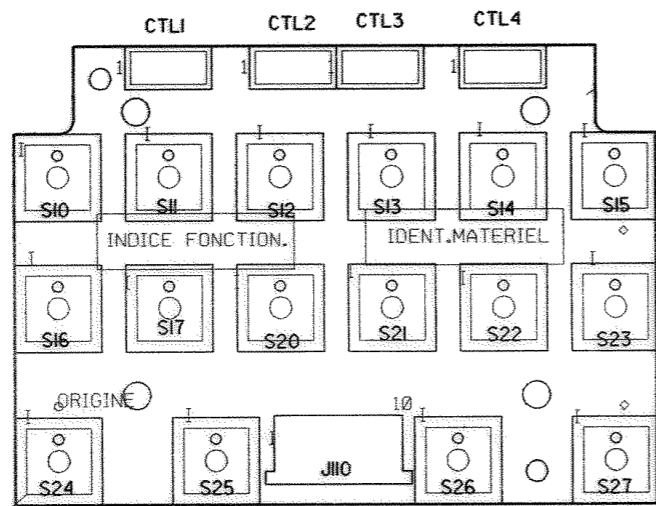
TITLE		OCP42				
CABLED JOYSTICK						
THOMSON BROADCAST SYSTEMS	DRAWING No 46153899AA	REV C	CODE 040	SIZE 3	SHEET 01/01	

ALL RIGHTS RESERVED  
 Contents of this document may not be reproduced in any form  
 nor transmitted to a third party without the written permission  
 of an authorized person of THOMSON BROADCAST



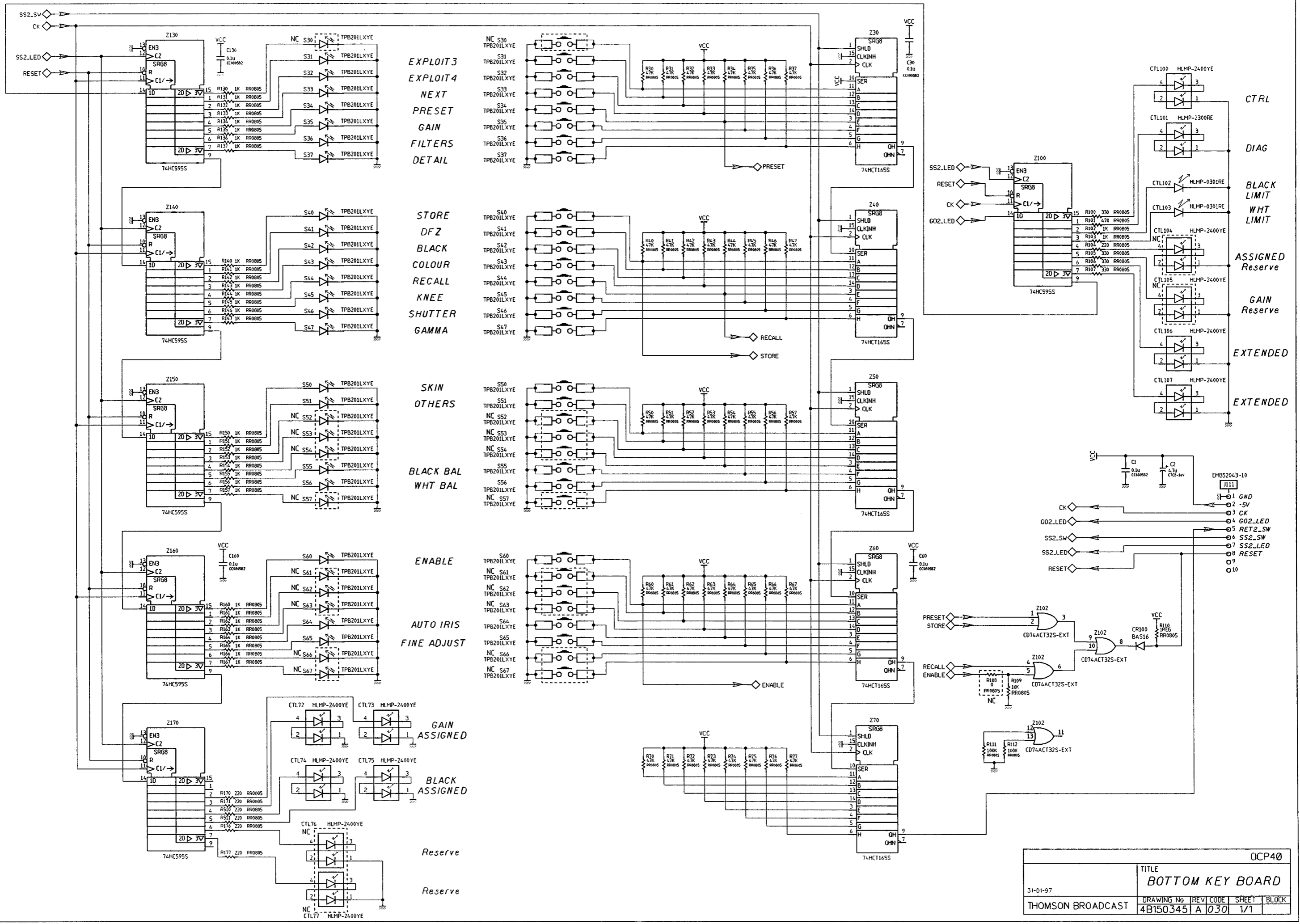
SAPHIR

OCP40			
TITLE		TOP KEY BOARD	
THOMSON BROADCAST	DRAWING No 4A150344	REV CODE A	SHEET/BLOCK 01-01

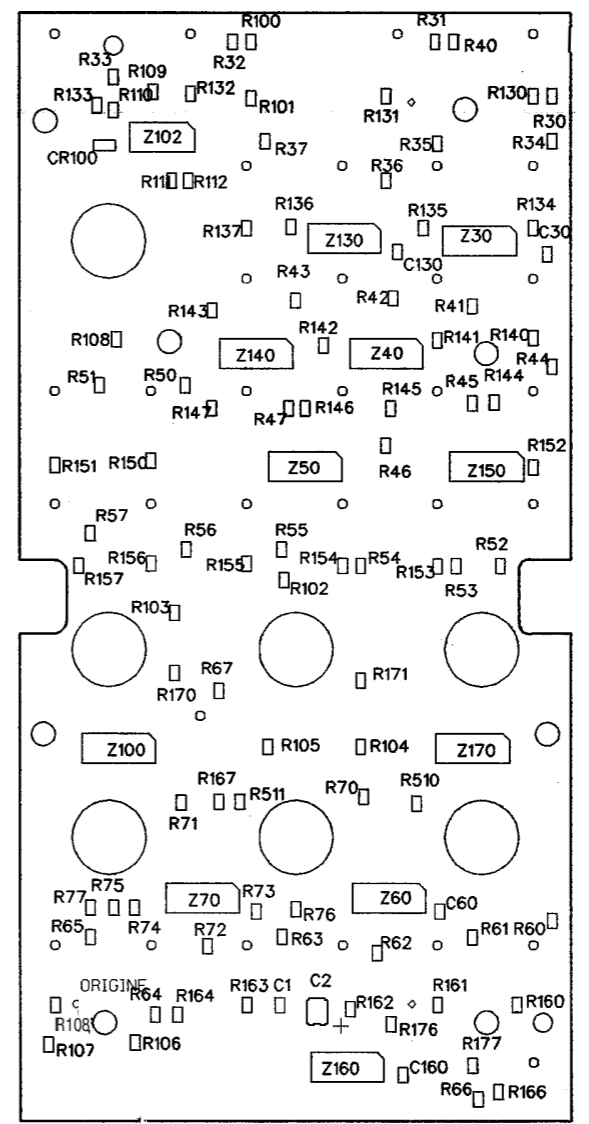
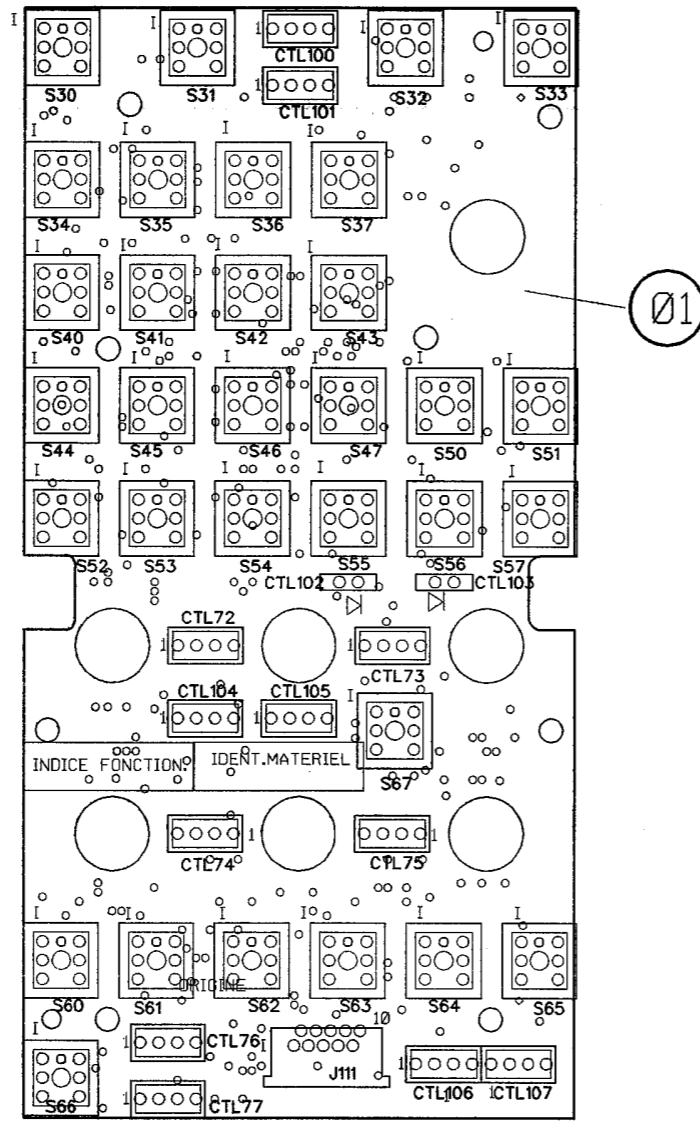


TITLE		OCP42/OCP50				
<b>TOP KEY BOARD</b>  <b>THOMSON</b> BROADCAST SYSTEMS		DRAWING No	REV	CODE	SIZE	SHEET
		4A150344	A	046	4	01/01

ALL RIGHTS RESERVED. Contents of this document may not be reproduced in any form, in whole or in part, without the prior written permission of Thomson Broadcast.



OCF40			
TITLE BOTTOM KEY BOARD			
31-01-97	DRAWING No	REV CODE	SHEET BLOCK
THOMSON BROADCAST	48150345	A 030	1/1



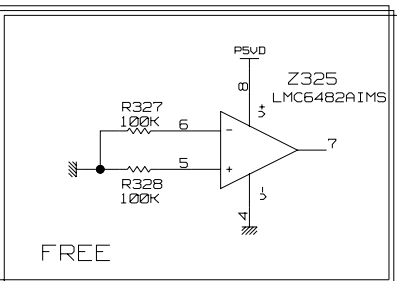
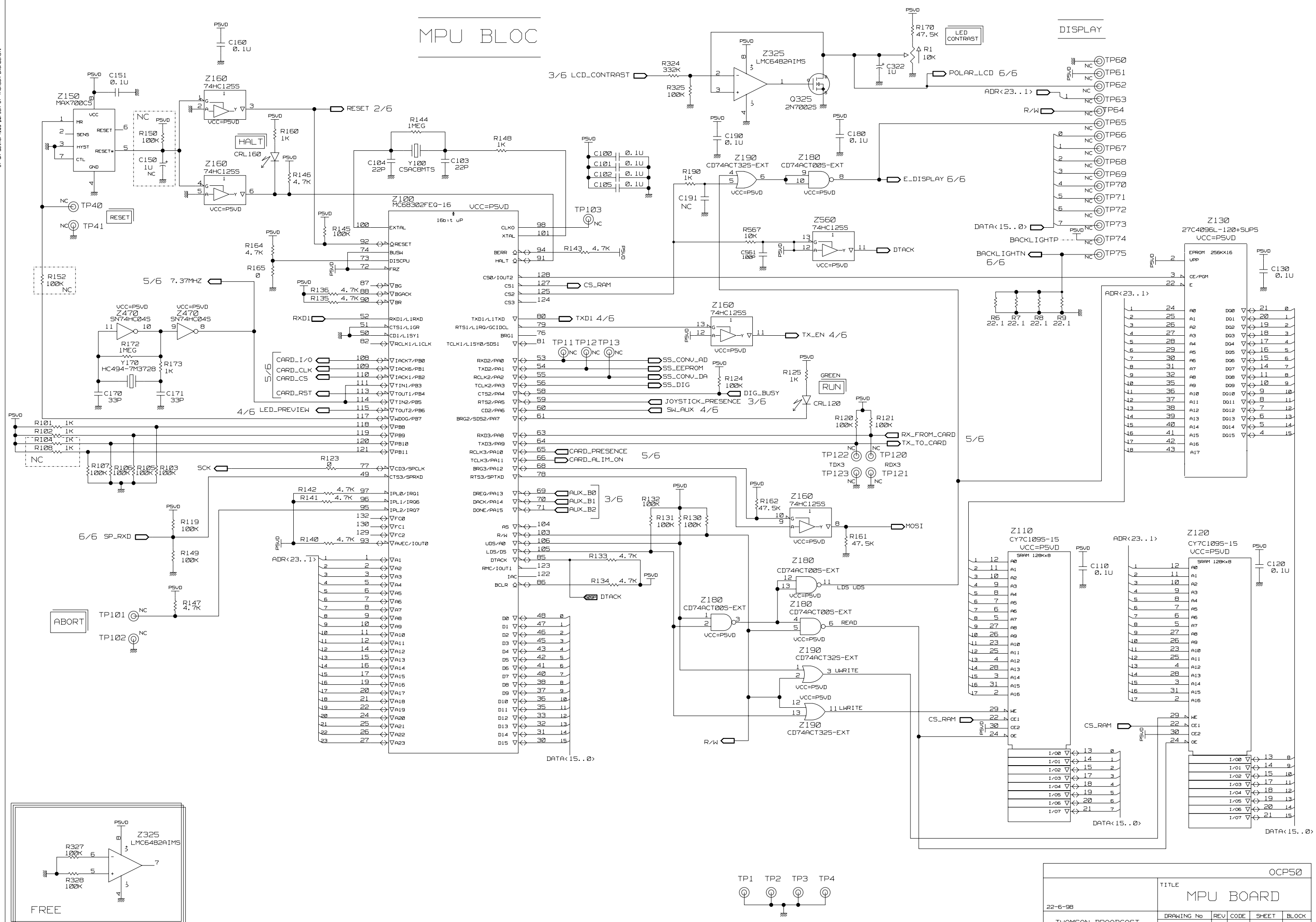
TITLE		OCP42/OCP50					
<b>THOMSON</b> BROADCAST SYSTEMS		DRAWING No		REV	CODE	SIZE	SHEET
		4B150345		A	046	3	01/01

**BOTTOM KEY BOARD**



ALL RIGHTS RESERVED.  
 Contents of this document may not be reproduced in any form  
 without the prior written permission of Thomson Broadcast.

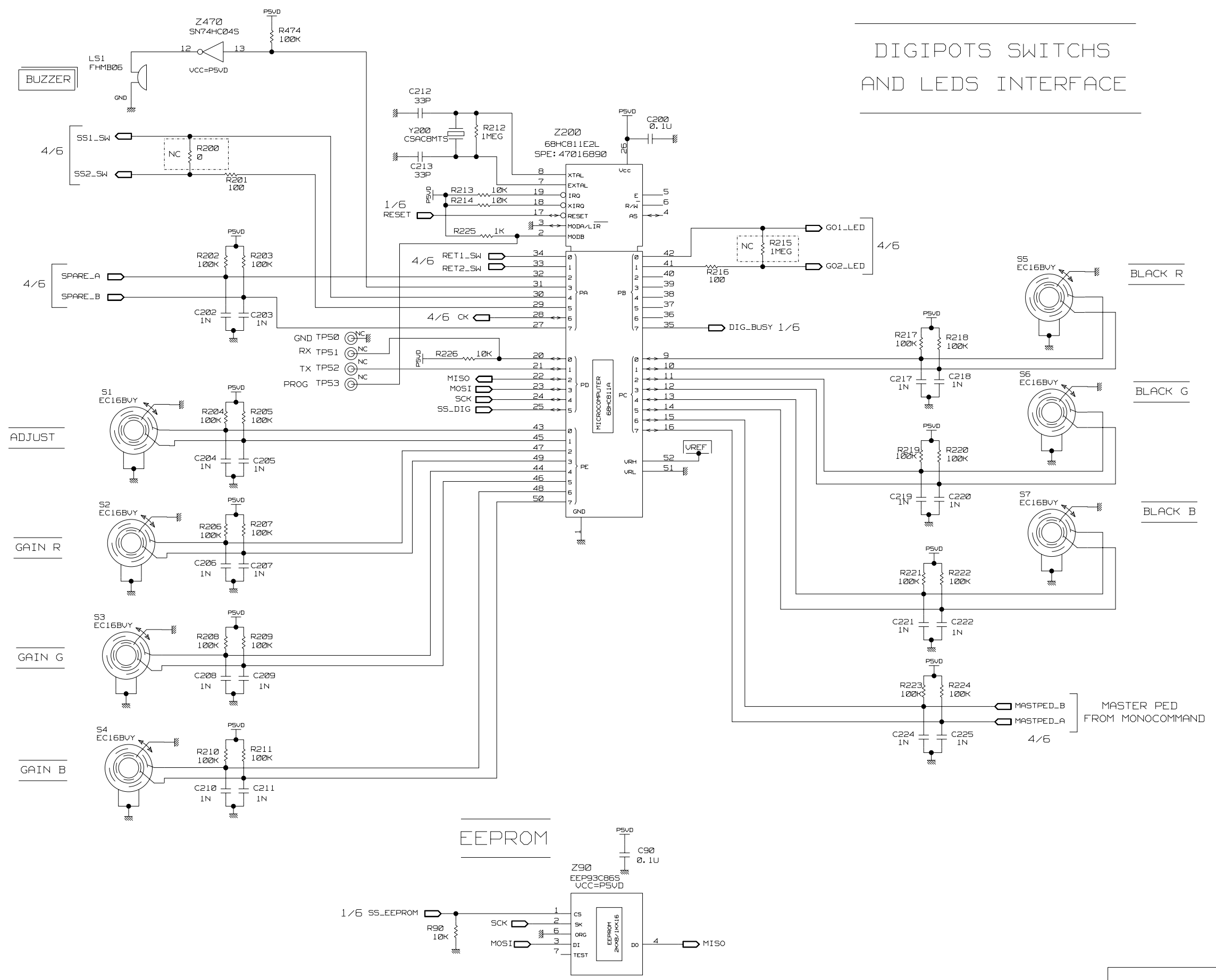
# MPU BLOC



OCP50				
TITLE MPU BOARD				
22-6-98	DRAWING No	REV	CODE	SHEET
THOMSON BROADCAST	4C150343	E	030	1/6

Conforme a l'archivage en ligne

ALL RIGHTS RESERVED.  
 Contents of this document may not be reproduced in any form  
 without the prior written permission  
 of an authorized person of THOMSON BROADCAST.

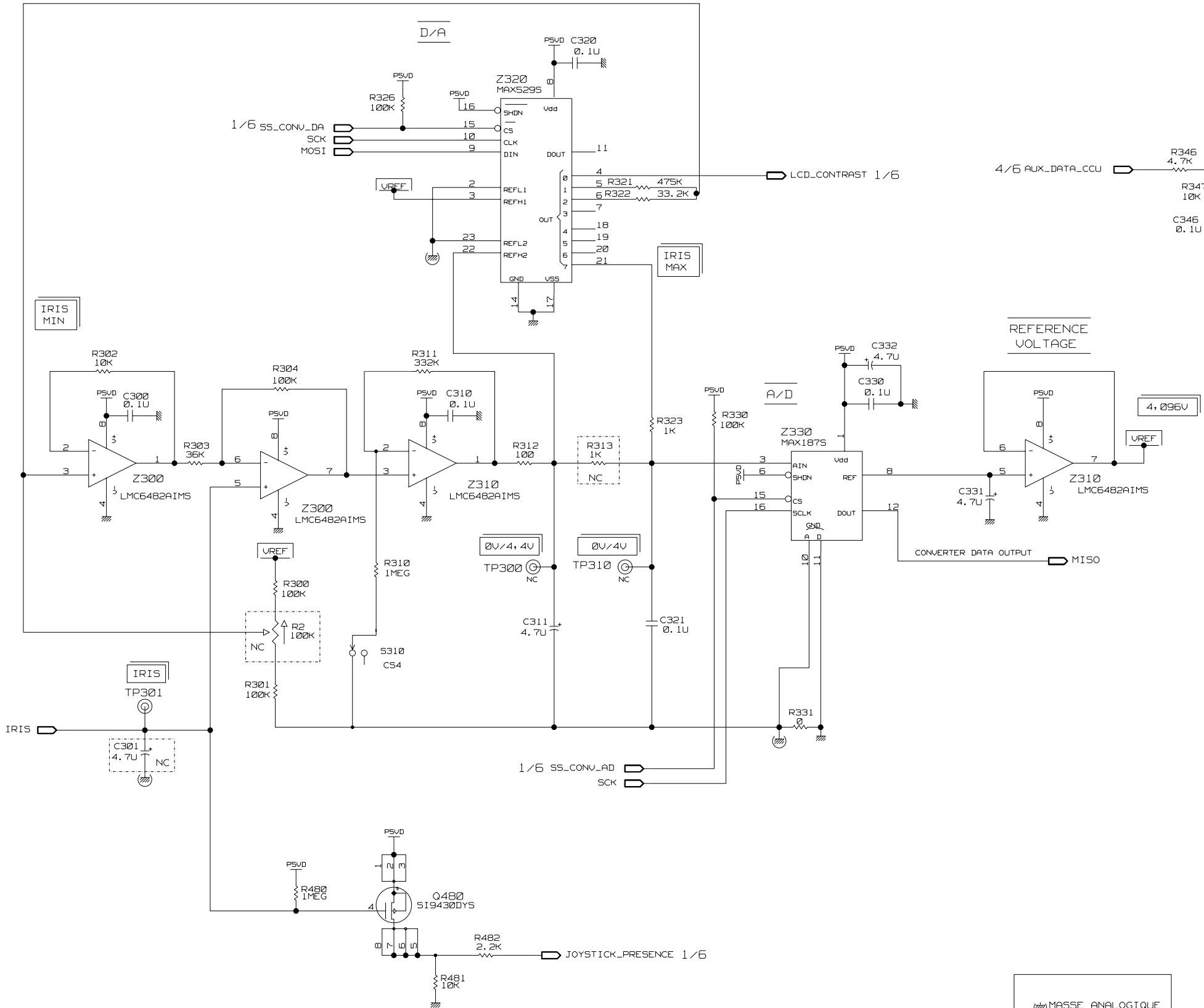


DIGIPOTS SWITCHS  
 AND LEDS INTERFACE

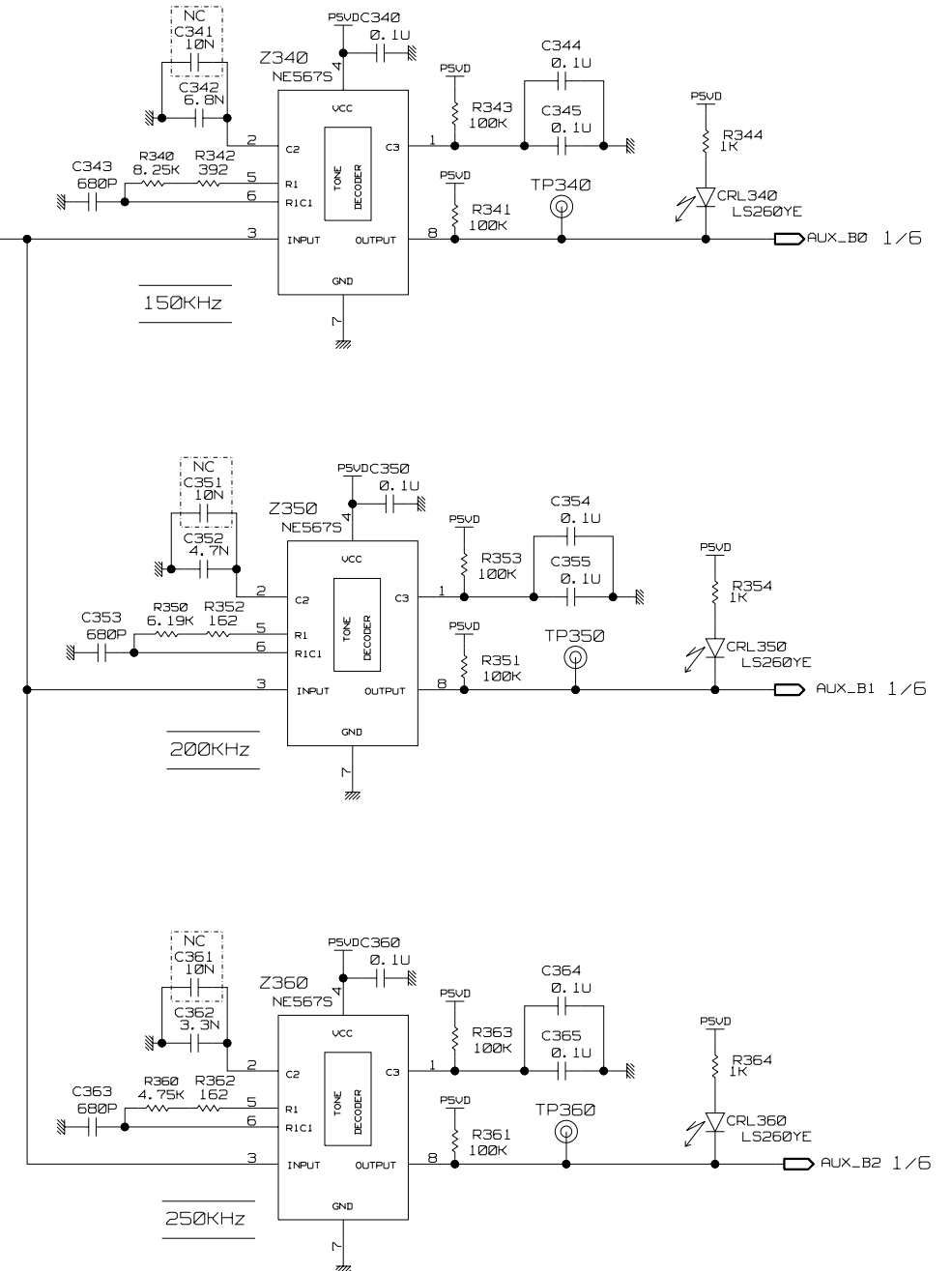
OCP50					
		TITLE MPU BOARD			
24-6-98	DRAWING No	REV	CODE	SHEET	BLOCK
THOMSON BROADCAST	4C150343	A	030	2/6	

ALL RIGHTS RESERVED.  
 Contents of this document may not be reproduced in any form  
 nor transmitted in any way without the prior written  
 permission of an authorized person of THOMSON BROADCAST.

# IRIS LEVEL A/D CONVERTER



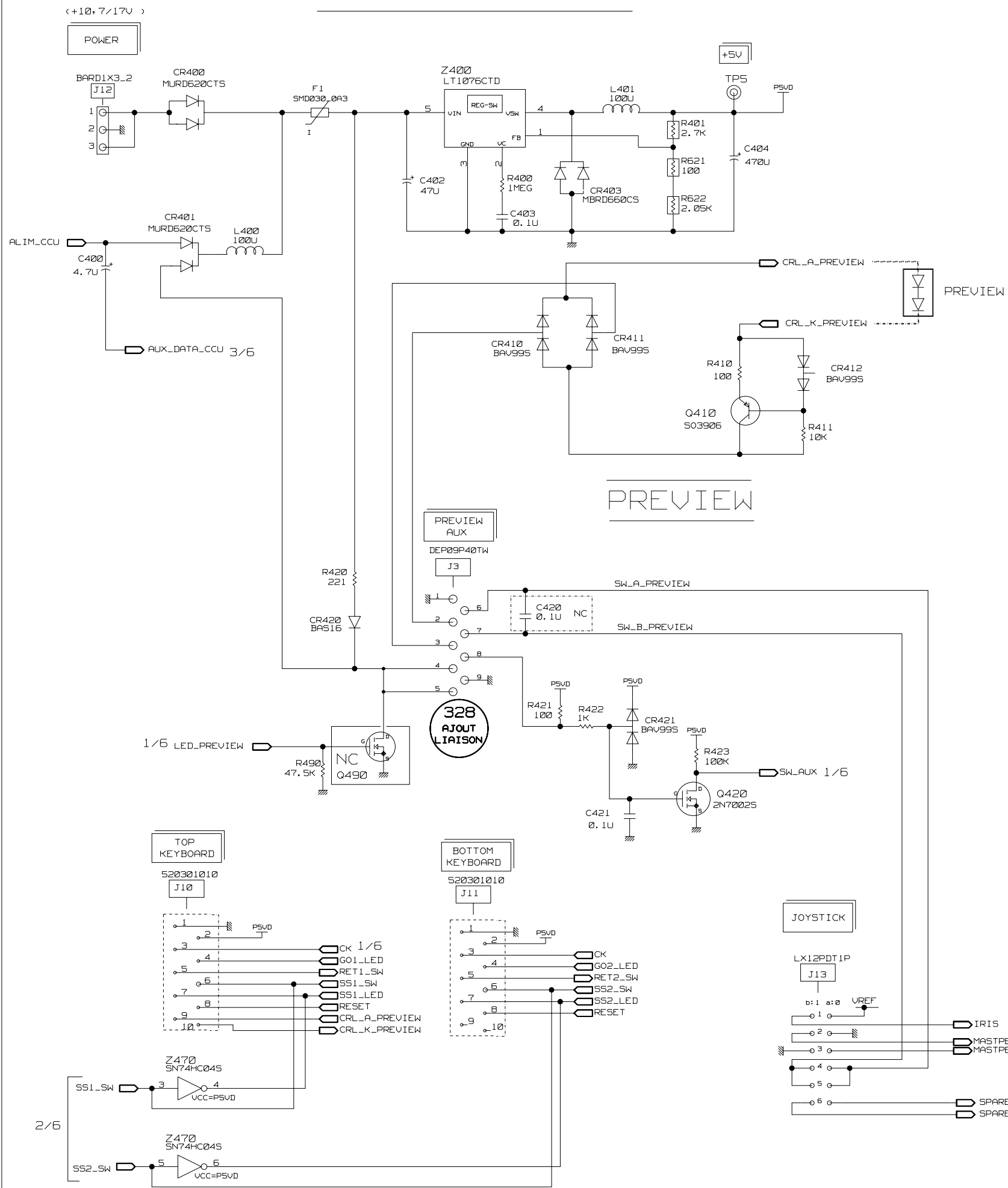
# TONE DECODER



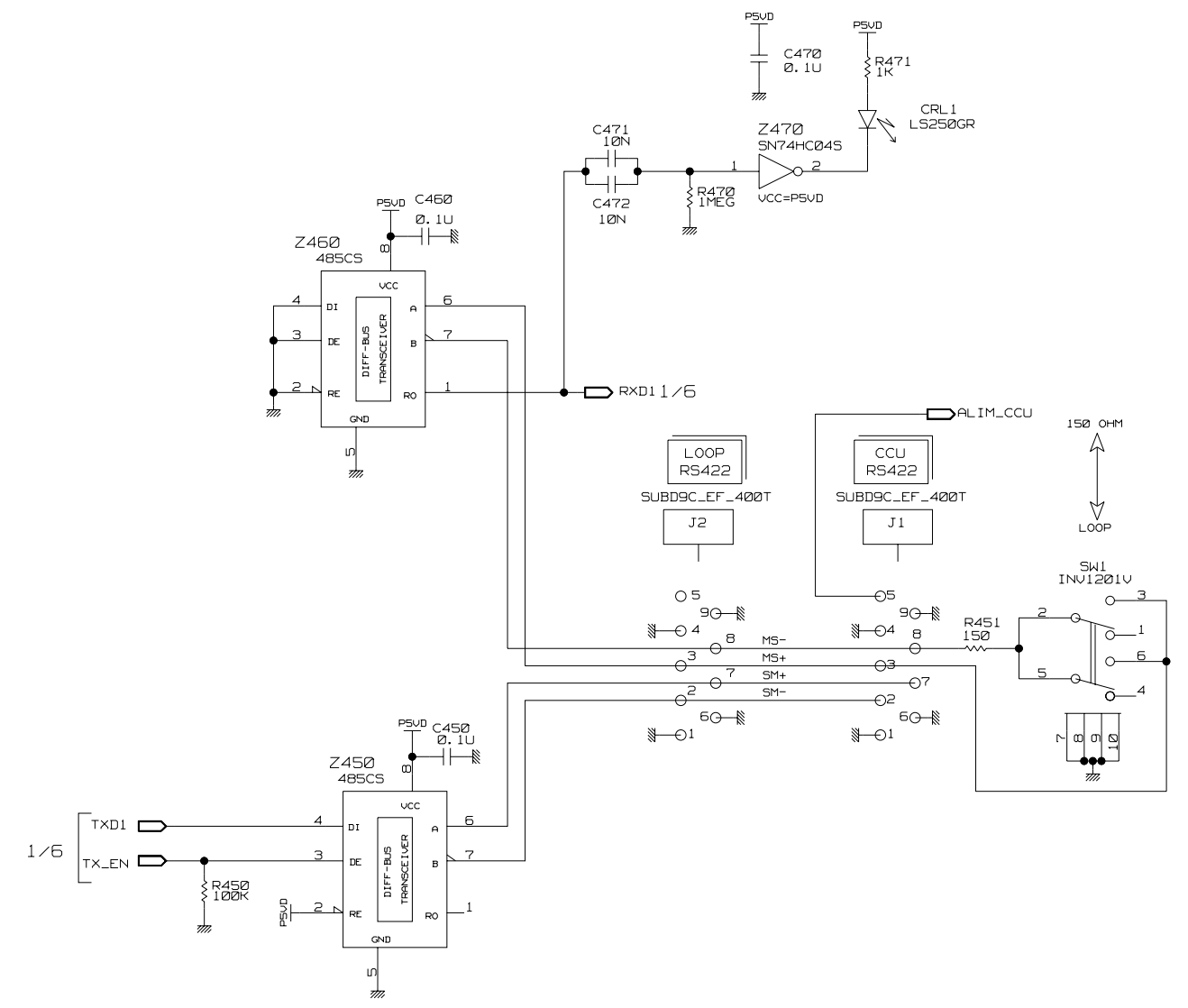
MASSE ANALOGIQUE

OCP50				
TITLE MPU BOARD				
1-1-1	DRAWING No	REV	CODE	SHEET
THOMSON BROADCAST	4C150343	F	030	3/6

# DC/DC CONVERTER



# SERIAL LINK



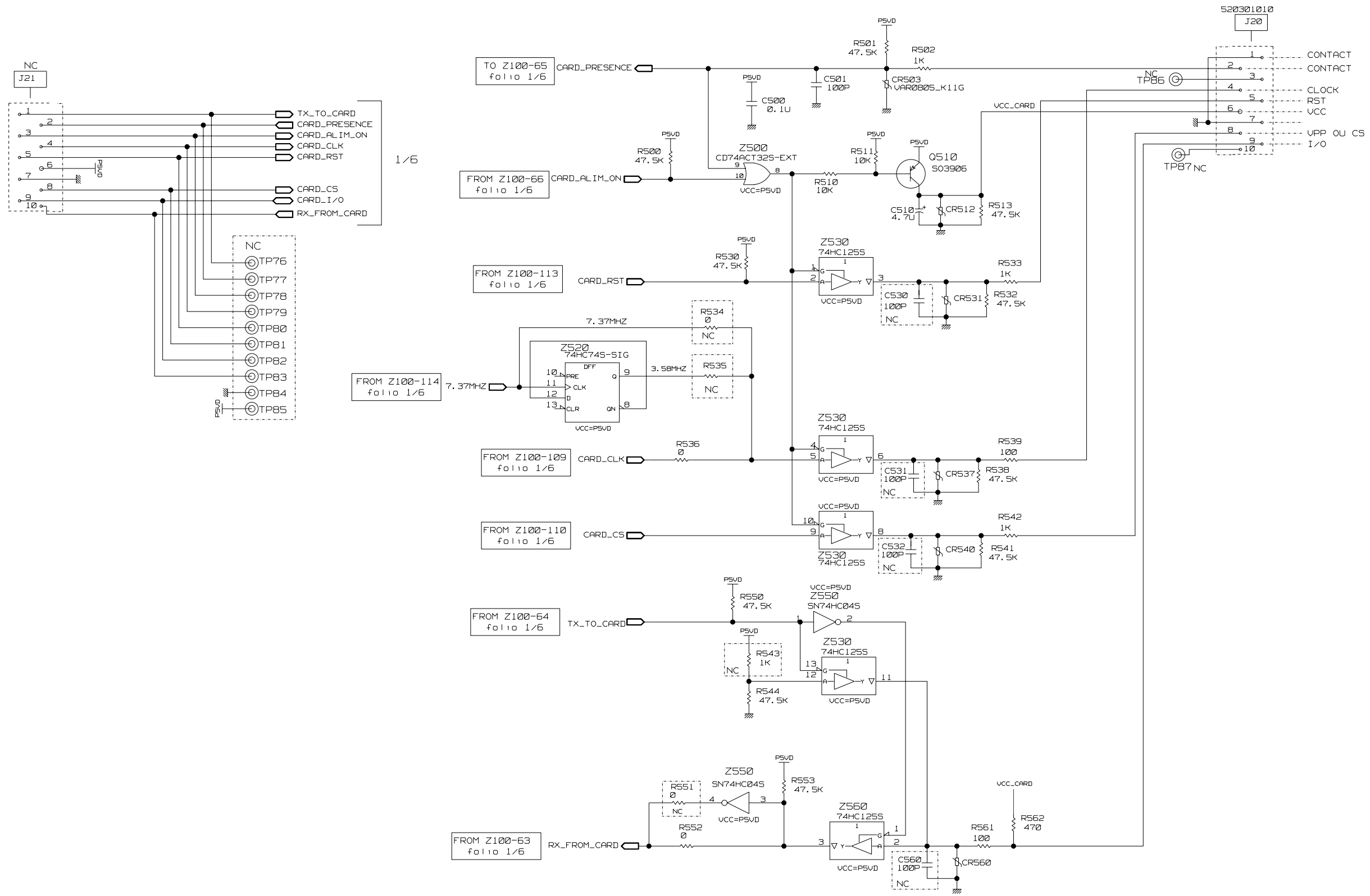
Conforme a l'archivage en ligne

OCP50				
TITLE		MPU BOARD		
1-1-1	DRAWING No	REV	CODE	SHEET
THOMSON BROADCAST	4C150343	C	030	4/6

ALL RIGHTS RESERVED.  
 Contents of this document may not be reproduced in any form  
 nor transmitted by any means, electronic or mechanical,  
 including photocopying, recording, or by any information  
 storage and retrieval system, without the prior written  
 permission of an authorized person of THOMSON BROADCAST.

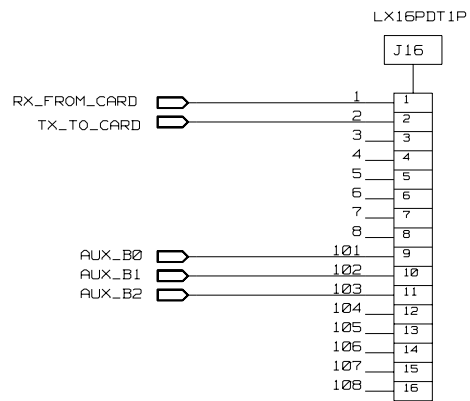
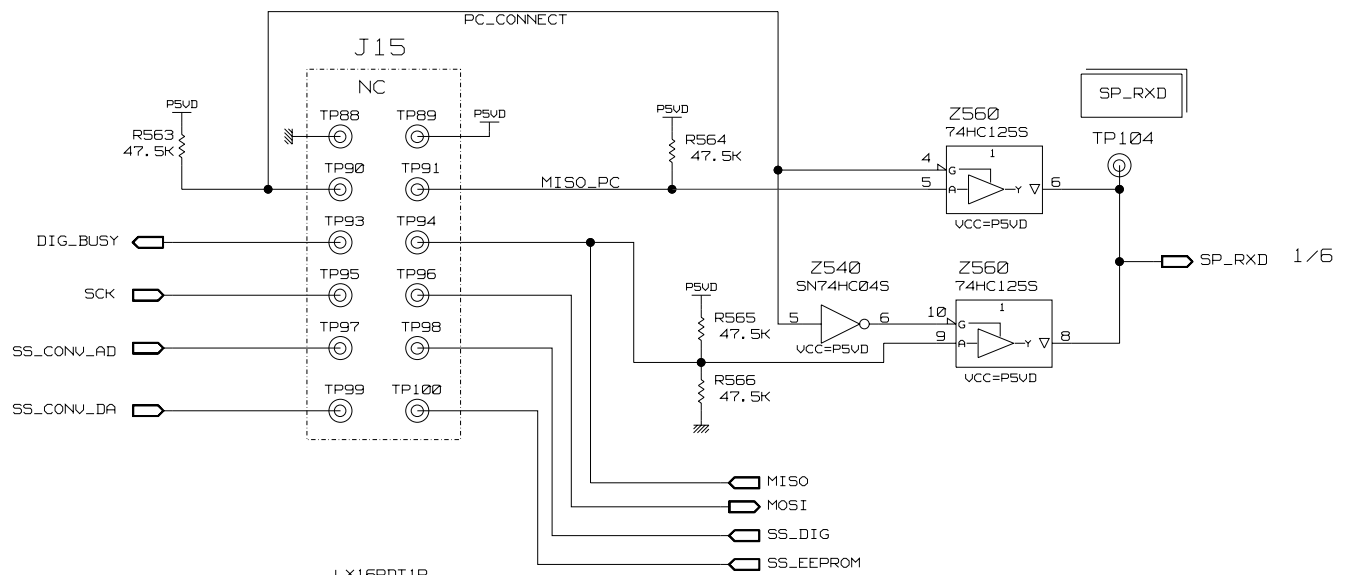
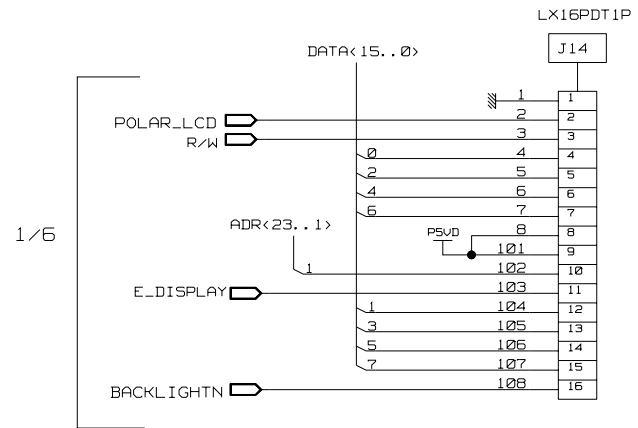
ALL RIGHTS RESERVED.  
 Contents of this document may not be reproduced in any form  
 nor transmitted in any way without the prior written  
 permission of an authorized person of THOMSON BROADCAST.

# INTERFACE SMART CARD



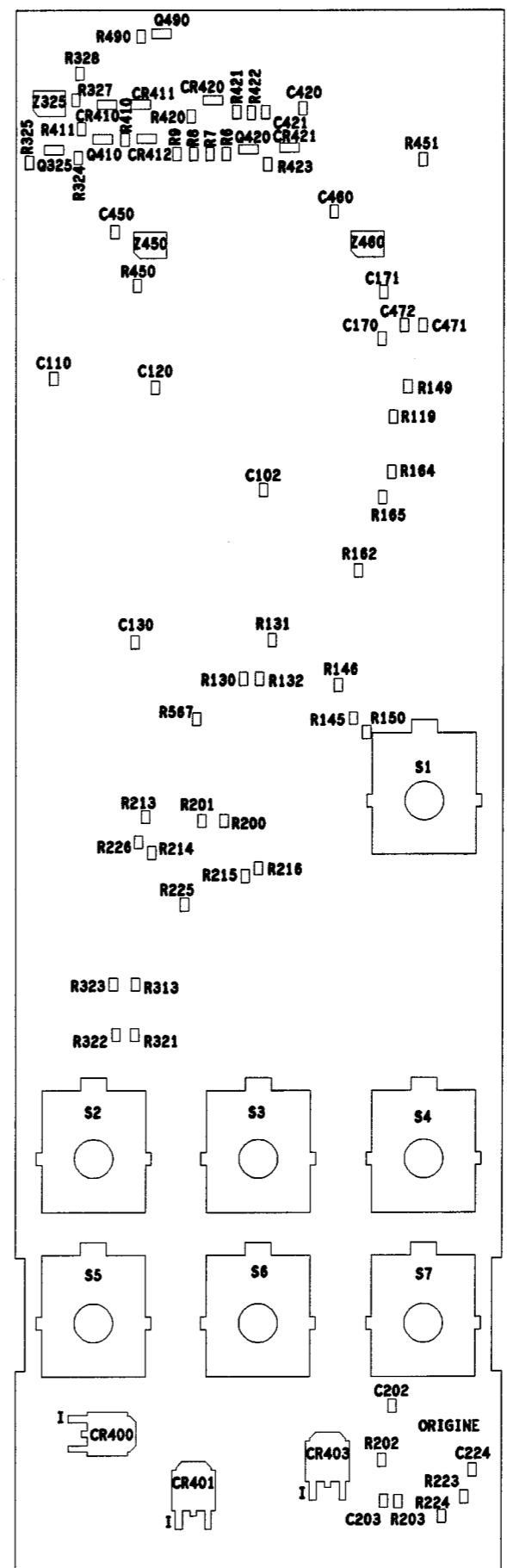
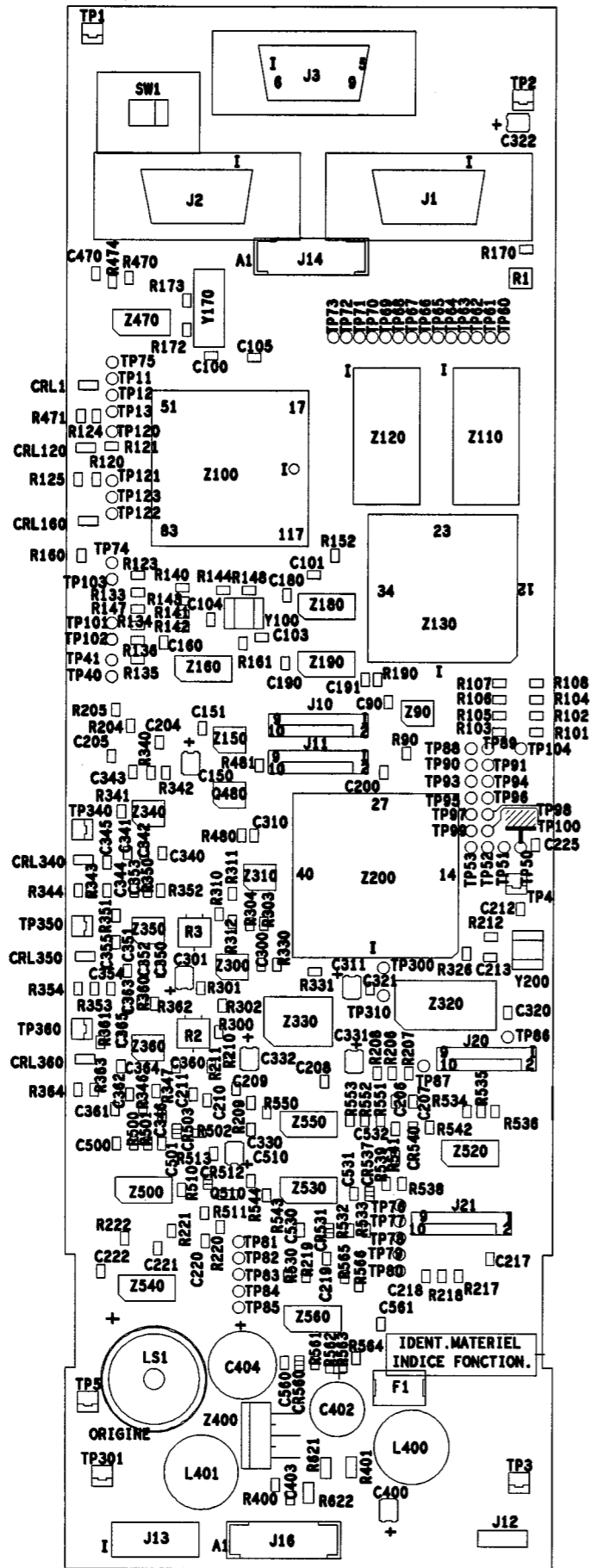
OCP50				
TITLE		MPU BOARD		
1-1-1	DRAWING No	REV	CODE	SHEET
THOMSON BROADCAST	4C150343	F	030	5/6

# TEST I/O



OCP50					
TITLE MPU BOARD					
1-1-1	DRAWING No	REV	CODE	SHEET	BLOCK
THOMSON BROADCAST	4C150343	A	030	6/6	

ALL RIGHTS RESERVED  
 Contents of this document may not be reproduced in any form  
 nor transmitted to a third party without the written permission  
 of an authorized person of THOMSON BROADCAST



TITLE		OCP42/OCP50				
MPU BOARD		DRAWING No	REV	CODE	SIZE	SHEET
		4C150343	A	046	3	01/01
THOMSON BROADCAST SYSTEMS						

ALL RIGHTS RESERVED.  
 Contents of this document may not be reproduced in any form  
 nor transmitted to a third party without the written permission  
 of an authorized person of THOMSON BROADCAST SYSTEMS.

CE DOCUMENT EST LA PROPRIETE DE LA SOCIETE THOMSON BROADCAST SYSTEMS  
 Il ne peut être reproduit ni communiqué à des tiers sans  
 autorisation écrite d'une personne mandatée spécialement  
 à cet effet par ladite Société

8

7

6

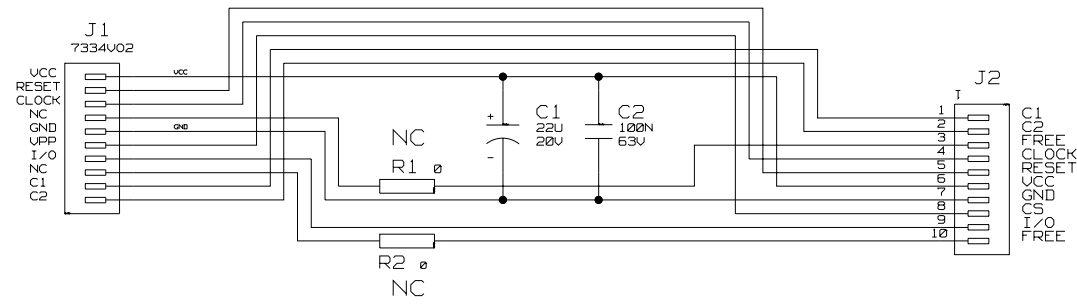
5

4

3

2

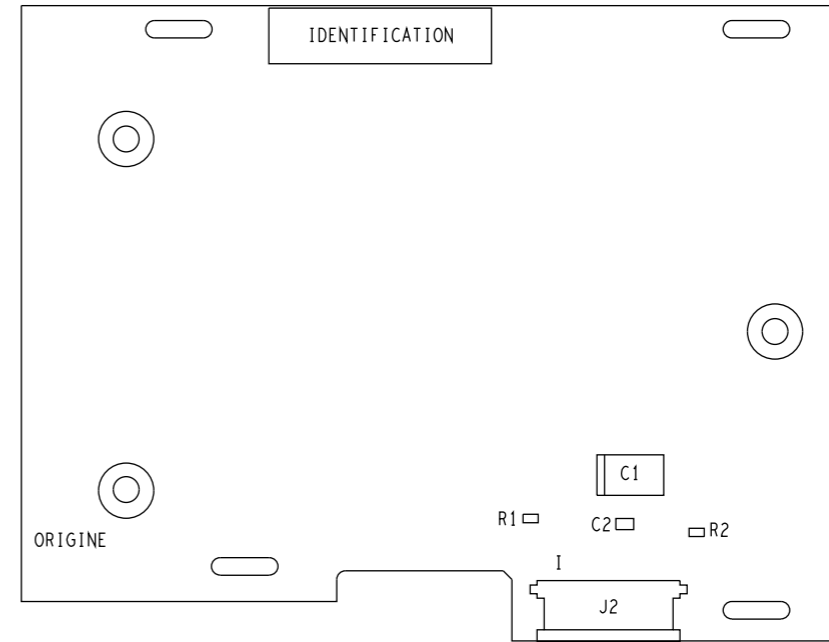
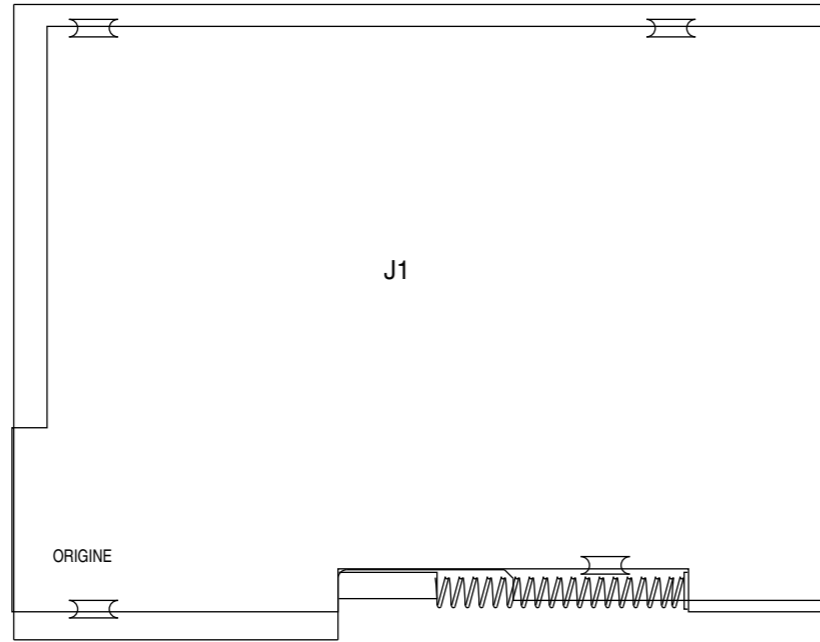
1



TITLE		OCP50				
SMARTCARD						

THOMSON BROADCAST SYSTEMS	DRAWING No	REV	CODE	SIZE	SHEET
	46150624AB	A	030	3	01 / 01





TITLE		OCP42/OCP50				
<b>SMARTCARD</b> <b>THOMSON</b> BROADCAST SYSTEMS		DRAWING No	REV	CODE	SIZE	SHEET
		46150624AB	A	046	4	01/01

ARTICLE: 46153997aa

\*\*\*\* CHASSIS CABLE OCP42

REPERES TOPO	DESIGNATION 1	DESIGNATION 2	COMPOSANT
50	---- ENTRETOISE	REPRISE	46152143
15	---- FILTRE LCD		46152146
165	---- VIS IMPERDABLE		46152147
205	---- EQUERRE DE FIXATION		46152311
40	---- CAPOT		46152312
	---- AXE DE POSITIONNEME		47232220aa
	FIL FIL NF93523 AWG26	250V NOIR KZ04-04B	99070686
Accessoires cablages			
2	COLL COLLIER ATTACHE	CABLE NYLON D:3,2MM	99008504
Cables-cordons			
FIL 01	FIL FIL NF93523 AWG24	600V NOIR KZ05-05B	99024576
FIL 02	FIL FIL NF93523 AWG24	600V ROUGE KZ05-05D	99029879
W 3	CAPL FFC 1.00 D10 180 L3	-07	T1002592
W 1	CAPL CABLE PLAT EQUIPE	FFC 1.00 A10 200 L3-3-07	T1005501
	FIL FIL UL1371 AWG26	250V BLANC	T9006099
Cartes équipées			
	CARP PANEL PUPITRE OCP	PUPITRE OCP 40	1B518718AE
	CART SMARTCARD		46150624AB
Circuits intégrés mémoires CMS			
Z 200	MPMS CIRC PROC CMSPLCC52	MC68HC811E2FN	T1005225
Z 130	EPMS MEM EPRO CMS PLCC44	256KX16 120NS	T9001174
Connecteur			
P 12	CNSC FICHE F DRT FIL	RECT 1X3 NU PAS2.54	91397837
P 12 A	CNCT 47565-001 (ACHAT PA	00)	T1000298
J 04	CNEC EMBASE M DRT FIL	XLR 04 SOUD J16	T1000305
P 13	CNSC FICHE F DRT FIL	RECT 2X6 PAS2MM SERIE LY	T9005682
P 135	CNCT CONTACT F SERT	AU/SN J26-30 D:0.7-1.2	T9005716
Divers mécaniques			
22	---- enjoliveur	ocp smart cart	46153297AB
3	---- enjoliveur OCP 42		46153829AA
1	---- MONOCOMANDE	ASSEMBLE OCP42	46153835AA
2	---- PLATINE OCP 42	EQUIPEE	46153996AA
1	---- CHASSIS OCP		47232221AB
27	---- EQUERRE SMARTCARD		47268211AB
28	---- EQUERRE SUPPORT		47268212AB
BT 01	BTON BOUTON	301 03 62 ROUGE	91613746
BT 02	BTON BOUTON	301 03 65 VERT	91613747
BT 04	BTON BOUTON	301 03 66 BLEU	91613749
23	JOIN JOINT MOUSSE 140/65	EPR:3 LARG:5 DURASEAL	T1001398
BT 03	BTON BOUTON	CAPSULE GRISE	T1005967
Etiquettes			
eti 02	ETIM CE 10x10		47018990
	ETIQ ETIQUETTE POLYESTER	40X15MM (CF:39962994/E)	T1003312
Visserie-Ecrous-Rondelles-Rivets			
3	RDEL RONDELLE	520251-80	91280718
VIS 07	RDEL RONDELLE M4U A4-50	PASSIVE	99012771
VIS 10	ECRU ECROU NU503-2-A	A PINCE-ACIER	99051303
70	RDEL RONDELLE 520301-80		99051638
VIS 13	VIS VIS INOX A2.70 PASS	F/90+ PHILIPS M3X8	99052425
VIS 02	RDEL RONDELLE M2,5U	A4-50 PASSIVE	99052511
VIS 24	ECRU ECROU H M2,5 U INOX	A4 PASSIVE	99059911
VIS 04	ECRU ECROU H M3 U INOX	A4 PASSIVE	99059912
VIS 11	ECRU ECROU H M4 U INOX	A4 PASSIVE	99059913
VIS 09	VIS VIS INOX.A4 PASS. C	M2.5X6/6 U	99060919
4			
VIS 03	VIS VIS INOX.A4 PASS. C	M3X6/6 U	99060923
VIS 26	VIS VIS INOX.A4 PASS. C	M4X12/12 U	99060930
60	ENTT ENTRETOISE F/F	L10 TAR:M2.5 LAITON	T1000547
VIS 01	VIS VIS INOX A2.70 NOIR	CHC M2.5X6 SP39960411	T6000080
VIS 12	VIS VIS AUTO.T ACIER-Z	PLASTIQUE TCB+Z M2.5X6	T9004817
VIS 21			
VIS 8	RDEL RONDELLE M4/8MM	EVENTL. INOX-A2 DENTS-EXT	T9004859
VIS 25	VIS VIS INOXA2	FX90 M3X6	T9005891

ARTICLE: 46153835aa

---- MONOCOMANDE  
ASSEMBLE OCP42

REPERES TOPO	DESIGNATION 1	DESIGNATION 2	COMPOSANT
10	----	BOUTON DE COMMANDE	46152103
5	----	POIGNEE ROTATIVE	46152104
01	----	ETRIER	46153821AA
02	----	ROND D'ENTRAINEMENT	46153822AA
13	----	AXE DE COMMANDE	46153823AA
08	----	AXE DE FRICTION	46153824AA
27	----	BAGUE D'APPUI	46153825AA
29	----	RONDELLE DE FRICTIO	46153826AA
06	----	ENTRETOISE	46153827AA
09	----	APPUI POTENTIONMETR	46153828AA
15	----	EQUERRE DIGIPOT	46153830AA
33	----	EQUERRE PREVIEW	46153831AA
04	----	AXE DE ROTATION	46153832AA
35	CABO	CABOCHON 2P-0739-N3	t1005500
<b>Commutateurs</b>			
19	CODR	CODEUR ROTATIF	91598936
34	COMP	COMMUT. A POUSSOIR MX1A-11NW	L0000565
16	MRUP	MICRORUPT A MOLETTE 6A 250VAC CI2.4 DRT	T9005848
<b>Divers mécaniques</b>			
30	----	PALIER DE GUIDAGE	47268058aa
41	AMRT	MOUSSE	47268206AA
15	ROUL	ROULEMENT WX8ZZ	91472559
30	JTOR	JOINT THORIQUE 28X3 11001499 EPDM 70SH.A	T1005348
25	JTOR	JOINT THORIQUE 32X3 DIA.INT. MAT:EPDM70SHORE	T1005966
26	RSOR	RESSORT ACIER C.085.140.0125.A	t9005706
37	RSOR	RESSORT ACIER C.080.055.0200.A	t9005707
40	JOIN	JOINT TISSU 1/2ROND 3.6 X 6.4 ADHESIF	T9005821
07	BAG.	BAGUE A COLLERETTE D:6 L:6 BRONZE BP25	T9005920
28	JTOR	TORIQUE NITRILE NBR 70SHA 5X2	T9006251
<b>Résistances-potentiomètres</b>			
10	POT.	POTENT PAl1 TYR 10KO 20%	t9005638
<b>Visserie-Ecrous-Rondelles-Rivets</b>			
22	RDEL	RONDELLE 520201-80	91280717
11	RDEL	RONDELLE 520251-80	91280718
25	RDEL	RONDELLE M3U A4-50 PASSIVE	99012770
23	ECRU	ECROU H M2 U INOX A4 PASSIVE	99059910
17	VIS	VIS INOX.A4 PASS. C M2X10/10 U	99060918
05	VIS	VIS INOX.A4 PASS. C M2.5X6/6 U	99060919
14	VIS	VIS INOX.A4 PASS. C M2X3/3U 60KGD0C.20702007	99071509
12	VIS	VIS INOX.A4 PASS. C M2.5X12/12 U	99077508
36	Goup	GOUPILLE MECAINDUS 2,5X8	lg000008
20	VIS	VIS INOX A2.70 S/T FENTE BT PLAT M2.5X8	T1005721
38	CICL	CIRCLIPS TYPE 863 DIAM:6 MM	t9005710
24	VIS	VIS INOX CBL M3X12 DRYLOC PVC	t9005783
03	Goup	AIGUILLE BOUT ROND TYPE BR D:2.5 L:7.8	T9005919
42	****	RONDELLE PLATTE SPECIAL NOIR 11X6X1	T9006252

ARTICLE: 46153899aa

JOYS COMMANDE CABLE

REPERES TOPO	DESIGNATION 1	DESIGNATION 2	COMPOSANT
----- Accessoires cablages   2   6	COLL COLLIER ATTACHE	CABLE NYLON D:3,2MM	99008504
Cables-cordons 	FIL FIL UL1371 AWG26	250V BLANC	T9006099
Connecteur   P 13     135	CNSC FICHE F DRT FIL CNCT CONTACT F SERT	RECT 2X6 PAS2MM SERIE LY AU/SN J26-30 D:0.7-1.2	T9005682 T9005716
Divers mécaniques   1	---- MONOCOMANDE	ASSEMBLE OCP42	46153835AA
Visserie-Ecrous-Rondelles-Rivets   3   7     4   5	RDEL RONDELLE VIS VIS INOX.A4 PASS. C	520251-80 M2.5X6/6 U	91280718 99060919

ARTICLE: 4a150344

CART TOP KEY BOARD

REPERES TOPO	DESIGNATION 1	DESIGNATION 2	COMPOSANT
CTL 2   CTL 3	LBAR DIOD LED BAR	HLMP 2300 ROUGE	91502834
CTL 1   CTL 4	LBAR DIOD LED BAR	HLMP 2400 JAUNE	91522293
IM	REMP ETIQUETTE	DAT-50-652-10	91623311
R 93	REMP RESIST CMS 0805	22 OHMS 5% 1/10W K250	99180486
Circuit imprimé nu	CIU ***TOP KEY BOARD OC	CDA: XG5-THCE0-6951	2A534552/01
Circuits intégrés CMS	CIMS CIRC NUM CMS S014	74ACT32	T9000079
Z 90	CIMS CIRC NUM CMS S016P	74HCT165T	T9000852
Z 10	CIMS CIRC NUM CMS S016P	74HC595M	T9000929
Z 100	Z 20	Z 120	
Commutateurs	TBP TOUCHE BOUTON POUSS	TZ-0004 GRIS	91586666
	COMP COMMUT. A POUSSOIR	UNI. PT/PR CI JAUNE	T1000664
Condensateurs CMS	C.CH COND CMS CTC3B TANT	4,7MF 20% 16V	T9001370
C 2	C.CH COND CMS 0805 X7R	100 NF 10% 63V	T9004666
C 1	C 10	C 100	C 120
Connecteur	CNEC EMBASE F COUD	FFC 1X10 CI2.4	T1005193
J 110			
Résistances CMS-Potentiomètres CMS	RESC RESIST CMS 0805	1 KOHM 1% 1/10W K100	162102
R 110	R 111	R 112	R 113
R 114	R 115	R 116	R 117
R 120	R 121	R 122	R 123
R 124	R 125	R 126	R 127
R 94			
R 90	R 91	R 92	
R 10	R 11	R 12	R 13
R 14	R 15	R 16	R 17
R 20	R 21	R 22	R 23
R 24	R 25	R 26	R 27
Support	SULD TZ2004 CADRE		91627404

ARTICLE: 4b150345ab

CART BOTTOM KEY BOARD

REPERES TOPO				DESIGNATION 1	DESIGNATION 2	COMPOSANT				
CTL	101			LBAR DIOD LED BAR	HLMP 2300 ROUGE	91502834				
CTL	72	CTL	73	LBAR DIOD LED BAR	HLMP 2400 JAUNE	91522293				
CTL	100	CTL	106							
		CTL	107	RUBN PPI1710 LARG.70 ADH	EXCLUSIF AU 29293042	91536712				
CTL	102	CTL	103	LED DIOD LED	HLMP-0301 ROUGE	T1005207				
Circuit imprimé nu										
	1			CIU ***BOTTOM KEY BOARD	CDA:XB7-THCE0-1717	2B534551AB				
Circuits intégrés CMS										
Z	102			CIMS CIRC NUM CMS S014	74ACT32	T9000079				
Z	30	Z	40	CIMS CIRC NUM CMS S016P	74HCT165T	T9000852				
Z	70									
Z	100	Z	130	CIMS CIRC NUM CMS S016P	74HC595M	T9000929				
Z	160	Z	170							
Condensateurs CMS										
C	2			C.CH COND CMS CTC3B TANT	4,7MF 20% 16V	T9001370				
C	1	C	30	C.CH COND CMS 0805 X7R	100 NF 10% 63V	T9004666				
C	160									
Connecteur										
J	111			CNEC EMBASE F COUD	FFC 1X10 CI2.4	T1005193				
Diodes CMS										
CR	100			DIMS DIOD CMS SOT23	BAS16 [A6]	99110304				
Etiquettes										
IM				ETIQ *ETIQUETTE 22X6,5MM	3921-3M(IDENTIF) BD:5000	T9004114				
Résistances CMS-Potentiomètres CMS										
R	102	R	103	R	130	R	131	RESC RESIST CMS 0805	1 KOHM 1% 1/10W K100	162102
R	132	R	133	R	134	R	135			
R	136	R	137	R	140	R	141			
R	142	R	143	R	144	R	145			
R	146	R	147	R	150	R	151			
R	152	R	153	R	154	R	155			
R	156	R	157	R	160	R	161			
R	162	R	163	R	164	R	165			
R	166	R	167							
R	109			RESC RESIST CMS 0805	10 KOHMS 1% 1/10W K100	162103				
R	100	R	105	RESC RESIST CMS 0805	332 OHMS 1% 1/10W K100	162331				
R	101			RESC RESIST CMS 0805	470 OHMS 1% 1/10W K100	T9003836				
R	111	R	112	RESC RESIST CMS 0805	100 KOHMS 1% 1/10W K100	T9003940				
R	104	R	170	RESC RESIST CMS 0805	221 OHMS 1% 1/10W K100	T9003997				
R	177	R	510							
R	110			RESC RESIST CMS 0805	1 MOHM 1% 1/10W K1	T9004022				
R	30	R	31	RESC RESIST CMS 0805	47.5 KOHMS 1% 1/10W K100	T9004023				
R	34	R	35							
R	40	R	41							
R	44	R	45							
R	50	R	51							
R	54	R	55							
R	60	R	61							
R	64	R	65							
R	70	R	71							
R	74	R	75							

ARTICLE: 4c150343ab

CART MPU BOARD OCP40/50

REPERES TOPO				DESIGNATION 1		DESIGNATION 2		COMPOSANT		
	20			----	BUTEE			4A152145		
	21			REMP	ENTRETOISE F/F	L15 TAR:M3 INOX		99069701		
Z	400			SWIR	CIRC ANA DIL TO220	LT1076CT 5 PINS		T1005192		
	30			AFIC	AFIC LCD	LM4045BG4C20SNG		T1005257		
Z	130 A			REMP	SUPPORT F DRT CMS	PLCC44		T9001122		
Z	200 A			REMP	SUPPORT F DRT CMS	PLCC52		T9001123		
LS	1			BUZR	BUZZER	F/HCW06 6V 85DB -40+85		T9003918		
Accessoires cablages										
TP	104			PLOT	E06626-L2M			91382049		
TP	1	TP	2	PLMS	PLOT CMS	RCT00000C		T1002596		
TP	5	TP	301							
TP	360									
J	12			BARR	BARRETTE M DRT	1X3 PTS SOUD PAS2.54		T9001677		
				BARR	BARRETTE M DRT	1X40 PTS SOUD PAS 2		T9003099		
Cables-cordons										
				FIL	FIL NF93523 AWG24	600V NOIR KZ05-05B		99024576		
				FIL	FIL NF93523 AWG24	600V ROUGE KZ05-05D		99029879		
				FIL	FIL CUIVRE ARGENTE	KW0330-A2 VERT A WRAPPER		99109359		
Circuit imprimé nu										
	01			CIU	MPU BOARD OCP50	- CDA:XL8-THCE0-C188		2C534550AA		
Circuits intégrés CMS										
Z	470	Z	540	Z	550	CIMS	CIRC NUM CMS SOL14P	74HC04 INVERS. SN74HC04D	99137355	
Z	520					CIMS	CIRC NUM CMS SOL14P	74HC74T	99142001	
Z	340	Z	350	Z	360	CIMS	CIRC CMS SO8P	NE567D	T1000981	
Z	300	Z	310	Z	325	CIMS	CIRC CMS SO8P	LMC6482AIM -40+85	T1002656	
Z	330					CIMS	CIRC CMS SOL16P	MAX187BCWE 0+70	T1005176	
Q	480					CIMS	CIRC CMS SO8P	SI9430DY PMOSFET	T1005180	
Z	320					CIMS	CIRC CMS SOL24P	MAX529EWG	T1005191	
Z	180					CIMS	CIRC NUM CMS SOL14P	74ACT00	T9000055	
Z	190	Z	500			CIMS	CIRC NUM CMS SOL14	74ACT32	T9000079	
Z	160	Z	530	Z	560	CIMS	CIRC NUM CMS SOL14P	74HC125T	T9001566	
Z	450	Z	460			CIMS	CIRC NUM CMS SO8P	MAX485E DRIVER RS485	T9004909	
Circuits intégrés mémoires CMS										
Z	150					CIMS	CIRC PROC CMS SO8P	MAX700CSA DETEC TENSION	T1002869	
Z	100					MPMS	MICROP CMS QFP132P	MC68302FC16C	T1005168	
Z	90					EEMS	MEM EEPROM CMS SO8P	1KX16/2KX8 1MHZ 3MA	T9001604	
Z	110	Z	120			SRMS	MEM SRA CMS SOJ32P	128KX8 15NS 170MA	T9003029	
Commutateurs										
SW	1					COML	COMMUTATEUR LEVIER		91691579	
S	1	S	2	S	3	S	4	EC16B24104 SPE 46152176	T6000130	
S	5	S	6	S	7					
S	310					COMS	COMMUTATEUR CMS	1POLE 2POS. 2CONT. INV.	T9004800	
Condensateurs										
C	404					CAPA	COND FIXE CAR1015	470 UF 20% 16V	T9001342	
C	402					CAPA	COND FIXE CAR812	47 UF 20% 63V	T9003100	
Condensateurs CMS										
C	170	C	171	C	212	C	213	C.CH COND CMS 0805 NFO	33 PF 5% 63V	251330
C	343	C	353	C	363			C.CH COND CMS 0805 NFO	680 PF 1% 63V	252681
C	322					C.CH	COND CMS CTC3B TANT	1 UF 20% 35V	96103285	
C	103	C	104			C.CH	COND CMS 0805 NFO	22 PF 5% 100V	99187398	
C	501	C	561			C.CH	COND CMS 0805 NFO	100 PF 5% 100V	99187412	
C	471	C	472			C.CH	COND CMS 0805	10 NF 10% 63V	T9000152	
C	202	C	203	C	204	C	205	C.CH COND CMS 0805	1 NF 10% 100V	T9000332
C	206	C	207	C	208					
C	210	C	211	C	217					
C	219	C	220	C	221					
C	224	C	225							
C	352					C.CH	COND CMS 0805	4.7 NF 10% 100V	T9000333	
C	342					C.CH	COND CMS 0805	6.8 NF 10% 63V	T9000851	
C	362					C.CH	COND CMS 0805 NFO	3.3 NF 10% 100V	T9000878	
C	311	C	331	C	332	C	400	C.CH COND CMS CTC3B TANT	4,7MF 20% 16V	T9001370
C	510									
C	90	C	100	C	101	C	102	C.CH COND CMS 0805 X7R	100 NF 10% 63V	T9004666
C	105	C	110	C	120					
C	151	C	160	C	180					
C	200	C	300	C	310					
C	321	C	330	C	340					
C	345	C	346	C	350					
C	355	C	360	C	364					
C	403	C	421	C	450					
C	470	C	500							
Connecteur										
J	10	J	11	J	20	CNEC	EMBASE F DRT	FFC 10 CI2,4	T1002439	
J	3					CNEC	EMBASE M DRT	SUBD 09 WRAP 2,74/2,84	T1005194	
J	1	J	2			CNEC	EMBASE F DRT	SUBD 09 WRAP 2,74/2,84	T9001515	
J	13					CNEC	EMBASE M DRT	RECT 2X6 PAS 2MM C11.6	T9005693	
Diodes CMS										
CRL	160					LEDS	DIOD LED CMS SOT23	LSS260-DO ROUGE	306024	
CRL	1	CRL	120			LEDS	DIOD LED CMS SOT23	LGS260-DO VERTE	91613459	
CRL	340	CRL	350	CRL	360	LEDS	DIOD LED CMS SOT23	LYS260-DO JAUNE	91613461	
CR	420					DIMS	DIOD CMS SOT23	BAS16 [A6]	99110304	
CR	410	CR	411	CR	412	CR	421	DIMS DIOD CMS SOT23	BAV99	99116852
CR	403					DIMS	DIOD CMS	MBRD660CT 60V 6A	T1002443	
CR	400	CR	401			DIMS	DIOD CMS	MBRD660CT 60V 6A	T1002444	
Divers mécaniques										
	24					VROU	VERRROU 8630-01	F/SUBD	91283652	
Etiquettes										
						ETIQ	*ETIQUETTE 22X6,5MM	3921-3M(IDENTIF) BD:5000	T9004114	
Fusibles CMS										
F	1					FUMS	FUSIBLE CMS	SMD030 0.3A	T9004705	
Inductances										
L	400	L	401			SELF	SELF TSL1110	100 UH 10%	T9003230	
Oscillateurs										
Y	100	Y	200			OCMS	OSCIL. CMS CSACS8T	Resonateur MOS 8 mh	T1002473	
Y	170					QRTZ	QUARTZ HC49S	47.3729MHZ 50PPM BP	T9000410	
Résistances CMS-Potentiomètres CMS										
R	144	R	172	R	212	R	400	RESC RESIST CMS 0805	1 MOHM 5% 1/8W K200	161105
R	470	R	480							
R	101	R	102	R	104	R	125	RESC RESIST CMS 0805	1 KOHM 1% 1/10W K100	162102
R	148	R	160	R	173					
R	225	R	323	R	344					
R	364	R	422	R	471					
R	533	R	542							
R	510	R	511	R	567			RESC RESIST CMS 0805	10 KOHMS 1% 1/10W K100	162103

ARTICLE: 4c150343ab

CART MPU BOARD OCP40/50

REPERES TOPO				DESIGNATION 1	DESIGNATION 2	COMPOSANT				
R	90	R	213	R	214	R	226			
R	302	R	347	R	411	R	481			
R	342							RESC RESIST CMS 0805	392 OHMS 1% 1/10W K100	162391
R	123	R	165	R	331	R	536	RESC RESIST CMS 0805	0 OHM	99180514
R	552									
R	1							POMS POTENT CMS	10 K 20%	T1001973
R	621							RESC RESIST CMS 3715	100 OHMS 1% 1/4W K50	T9000206
R	401							RESC RESIST CMS 3715	2.7 KOHMS 1% 1/4W K50	T9000237
R	622							RESC RESIST CMS 3715	2.05 KOHMS 1% 1/4W K50	T9000657
R	340							RESC RESIST CMS 2211	8.25 KOHMS 0.5% 1/5W K50	T9001343
R	360							RESC RESIST CMS 2211	4.75 KOHMS 0.5% 1/5W K50	T9001402
R	350							RESC RESIST CMS 2211	6.19 KOHMS 0.5% 1/5W K50	T9001403
CR	503	CR	512	CR	531	CR	537	THMS THERMIST CMS CN0805	K11G	T9003582
CR	540	CR	560							
R	562							RESC RESIST CMS 0805	470 OHMS 1% 1/10W K100	T9003836
R	103	R	105	R	106	R	107	RESC RESIST CMS 0805	100 KOHMS 1% 1/10W K100	T9003940
R	119	R	120	R	121	R	124			
R	130	R	131	R	132	R	145			
R	149	R	202	R	203	R	204			
R	205	R	206	R	207	R	208			
R	209	R	210	R	211	R	217			
R	218	R	219	R	220	R	221			
R	222	R	223	R	224	R	300			
R	301	R	304	R	325	R	326			
R	327	R	328	R	330	R	341			
R	343	R	351	R	353	R	361			
R	363	R	423	R	450	R	474			
R	451							RESC RESIST CMS 0805	150 OHMS 1% 1/10W K100	T9003941
R	201	R	216	R	312	R	410	RESC RESIST CMS 0805	100 OHMS 1% 1/10W K100	T9003993
R	421	R	539	R	561					
R	420							RESC RESIST CMS 0805	221 OHMS 1% 1/10W K100	T9003997
R	310							RESC RESIST CMS 0805	1 MOHM 1% 1/10W K1	T9004022
R	161	R	162	R	170	R	490	RESC RESIST CMS 0805	47.5 KOHMS 1% 1/10W K100	T9004023
R	500	R	501	R	513	R	530			
R	532	R	538	R	541	R	544			
R	550	R	553	R	563	R	564			
R	565	R	566							
R	133	R	134	R	135	R	136	RESC RESIST CMS 0805	4.75 KOHMS 1% 1/10W K100	T9004032
R	140	R	141	R	142	R	143			
R	146	R	147	R	164	R	346			
R	322							RESC RESIST CMS 0805	33.2 KOHMS 1% 1/10W K100	T9004033
R	352	R	362					RESC RESIST CMS 0805	162 OHMS 1% 1/10W K100	T9004037
R	303							RESC RESIST CMS 0805	35.7 KOHMS 1% 1/10W K100	T9004065
R	321							RESC RESIST CMS 0805	475 KOHMS 1% 1/10W K100	T9004073
R	6	R	7	R	8	R	9	RESC RESIST CMS 0805	22.1 OHMS 1% 1/10W K100	T9004080
R	311	R	324					RESC RESIST CMS 0805	332 KOHMS 1% 1/10W K100	T9004353
R	482							RESC RESIST CMS 0603	2,21KO 1% 1/10W K100	T9005137
Transistors CMS										
Q	325	Q	420					TRMS TRANS CMS SOT23	2N7002 [702] [72AB]	91685632
Q	410	Q	510					TRMS TRANS CMS SOT23	SO3906 PNP	99110322
Visserie-Ecrous-Rondelles-Rivets										
	26							RDEL RONDELLE	520251-80	91280718
	31							ENTT ENTRETOISE F/F	L5 TAR:M3 NYLON	91351502
	22		34					RDEL RONDELLE 520301-80		99051638
	33							ECRU ECROU H M3 U INOX	A4 PASSIVE	99059912
	27							VIS VIS INOX.A4 PASS. C	M2.5X6/6 U	99060919
	23							VIS VIS INOX.A4 PASS. C	M3X8/8 U	99060924
	32							VIS VIS INOX.A4 PASS. C	M3X12/12 U	99060925



ARTICLE: 46150624ab

CART SMARTCARD

REPERES TOPO	DESIGNATION 1	DESIGNATION 2	COMPOSANT
ID	REMP 25,4X6,35MM	POLYIMIDE H TEMP.	T9004679
Circuit imprimé nu   01	CIU SMARTCARD		29534687BA
Condensateurs CMS   C 1	C.CH COND CMS CTC3D TANT 22MF 20% 20V		T9003002
C 2	C.CH COND CMS 0805 X7R 100 NF 10% 63V		T9004666
Connecteur   J 2	CNMS EMBASE F COUD CMS	FFC 1X10 NAP	T1002086
J 1	CNSC CONNECT LECTEUR DE	CARTE A PUCE 7334 V02 15	T9006091
Visserie-Ecrous-Rondelles-Rivets   10	ECRU ECRU A SERTIR	KFS2 M3	T1005104

---

# Chapter 2

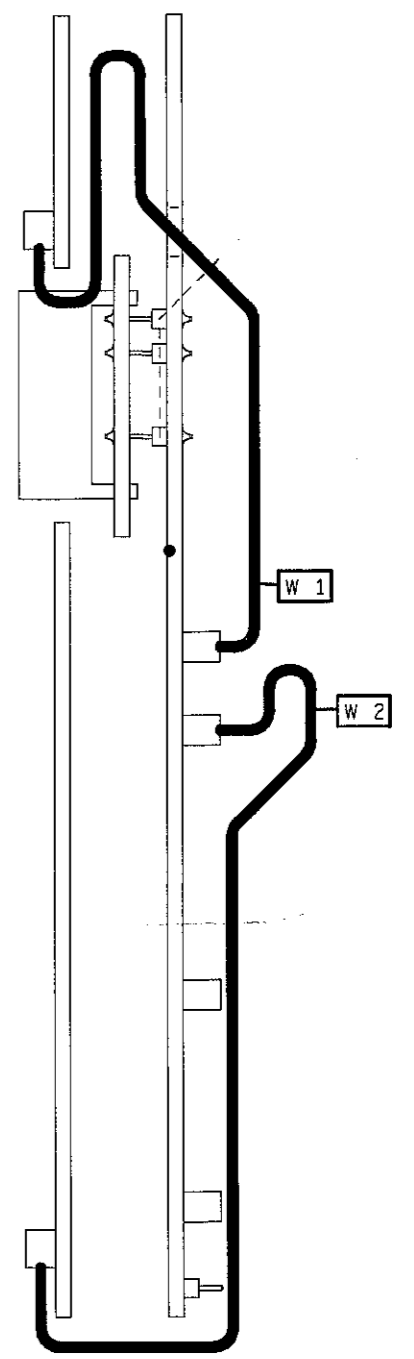
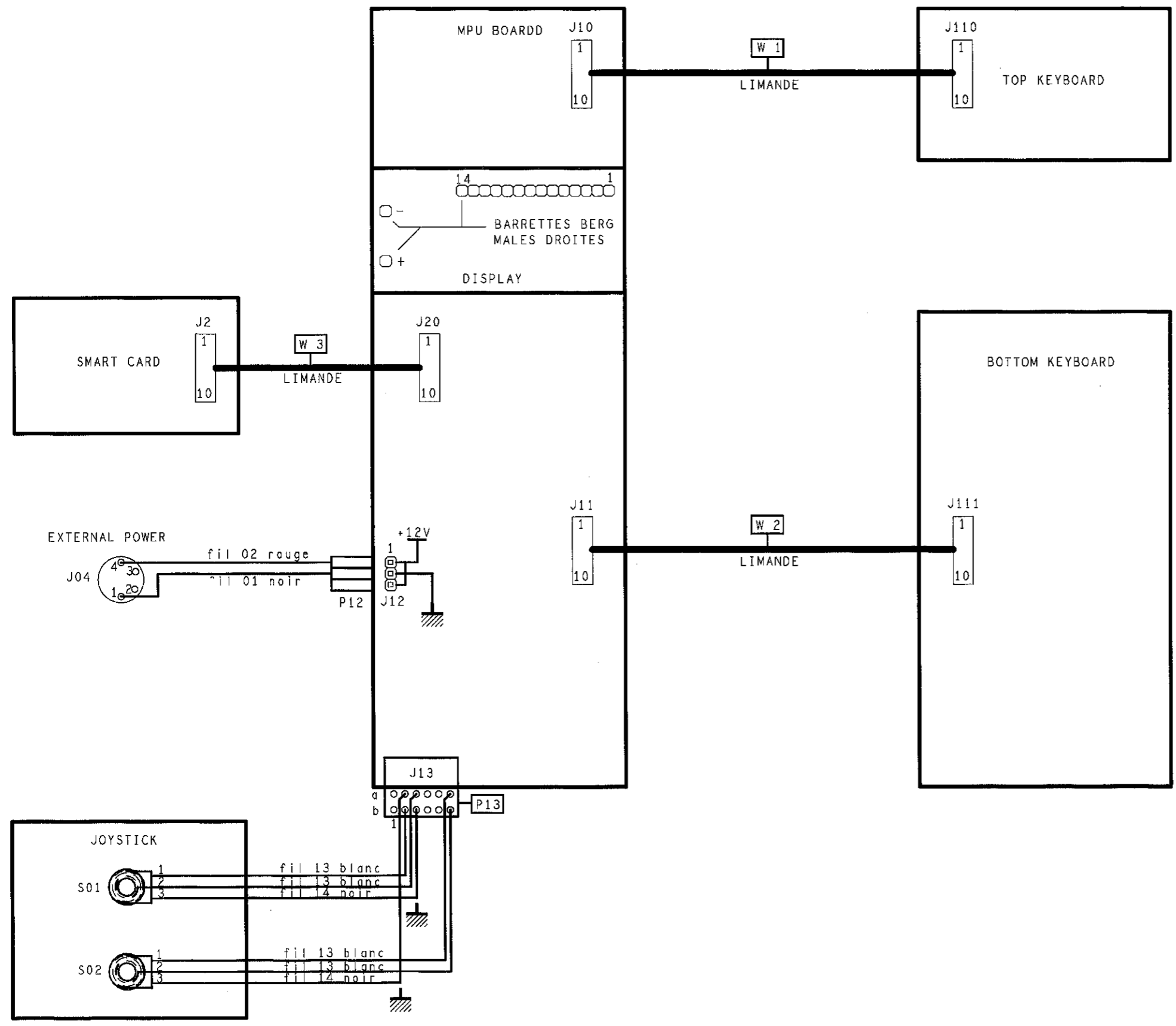
## OCP 50

<b>OCP50</b>			<b>B1500509AA</b>
	<b>Schematic</b>	<b>Layout</b>	<b>Part list</b>
<b>BLOCK DIAGRAM</b>	See CHAPTER 1 OCP 42		
<b>INTERCONNECTION</b>	47232227/B-050		47232227AA
<b>ASSEMBLED OCP50</b>	47232227/F-040		47232227AA
<b>TOP KEY BOARD</b>	See CHAPTER 1 OCP 42		
<b>BOTTOM KEY BOARD</b>	See CHAPTER 1 OCP 42		
<b>MPU BOARD</b>	See CHAPTER 1 OCP 42		
<b>SMARTCARD</b>	See CHAPTER 1 OCP 42		



SITE: ZREF

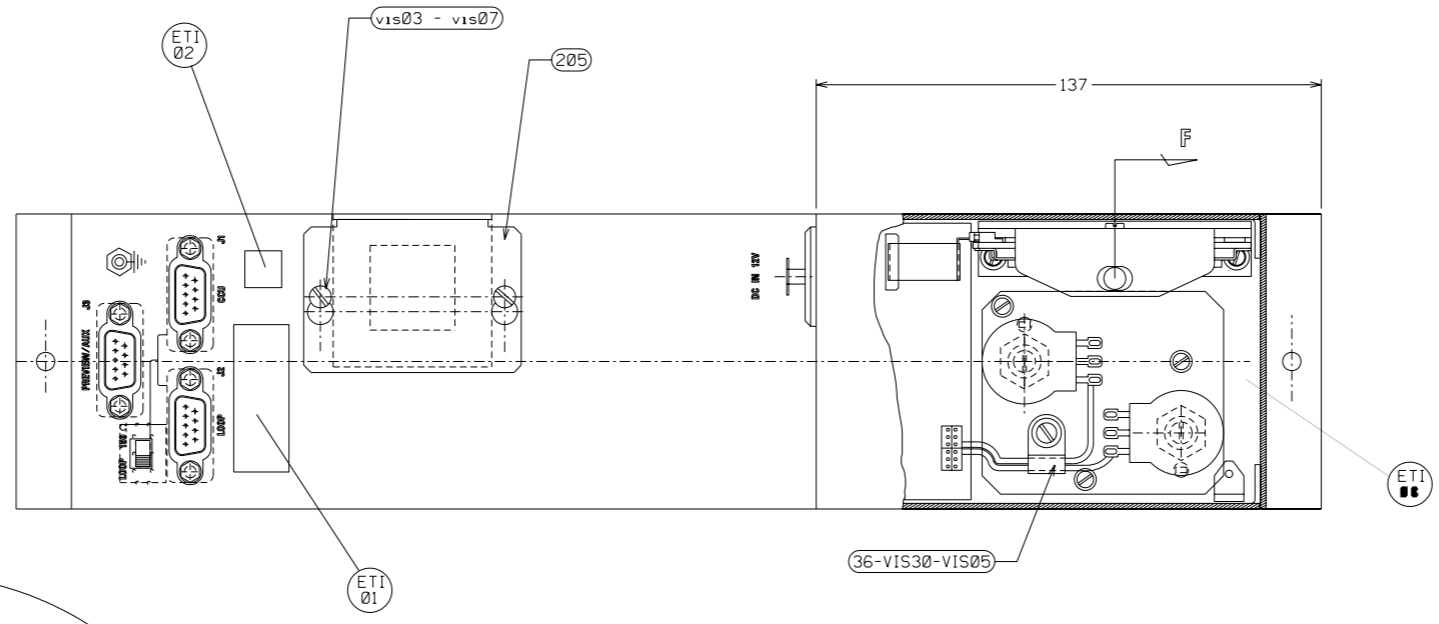
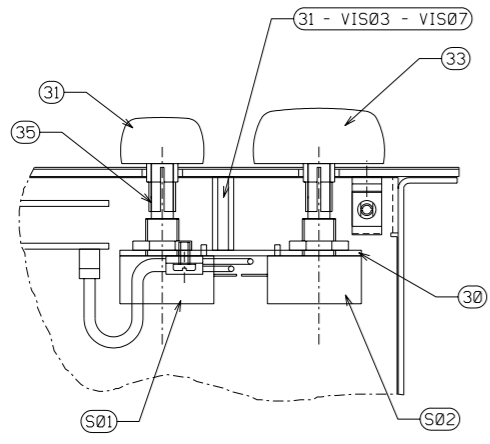
Niv.	Composant	Rév	P/M	T	Fa	Description	Description	Qté	lien	UM
Compos	B1500509AA	02	M			CACC OCP50 for 1657(D)	1557/1707			EA
1	47019048aa	1	M			LCAB ACCESSOIRES ET CABL	OCF 40	1,0		EA
.2	39962451	1	M	X	oui	CABC LIMANDE EQUIPEE	RACCORDEMENT PUPITRES	1,0		EA
1	47033512aa	1	M		oui	ETIM PRODUIT STANDARD		1,0		EA
1	47232227aa	8	M			CHAS CHASSIS	OCF50 CABLE	1,0		EA
.2	1B518718AE	01	M			CARP PANEL PUPITRE OCP	PUPITRE OCF 40	1,0		EA
..3	4A150344	2	M	X	oui	CART TOP KEY BOARD		1,0		EA
..3	4B150345AB	1	M	X	oui	CART BOTTOM KEY BOARD		1,0		EA
..3	4C150343AB	02	M	X	oui	CART MPU BOARD OCF40/50		1,0		EA
.2	46150624AB	01	M			CART SMARTCARD		1,0		EA
.2	47017050		M	X	oui	PROG Z 200		1,0		EA
.2	47033512AA	1	M	X	oui	ETIM PRODUIT STANDARD		1,0		EA
.2	47232228AB	02	M		oui	KIT. KIT SMART-CARD		1,0		EA
.2	47232229AA	4	M	X	oui	KIT2 MECA OCF50		1,0		EA
.2	47232541AC	01	M	X		PROG Z 130		1,0		EA
1	configpv		M			---- CONFIGURATION PRISE UE		1,0		EA



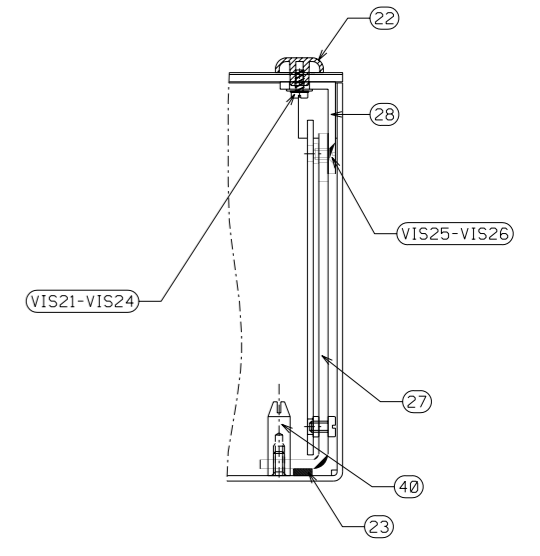
TITLE		OCP50				
<b>INTERCONNECTION</b>		DRAWING No	REV	CODE	SIZE	SHEET
		47232227	B	050	3	01/01
<b>THOMSON</b> BROADCAST SYSTEMS						

ALL RIGHTS RESERVED  
 Contents of this document may not be reproduced in any form  
 nor transmitted to a third party without the written permission  
 of an authorized person of THOMSON BROADCAST

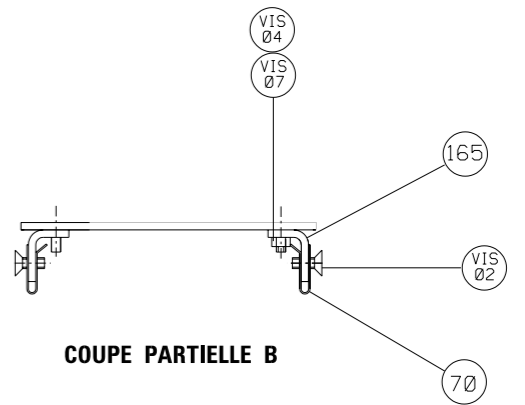
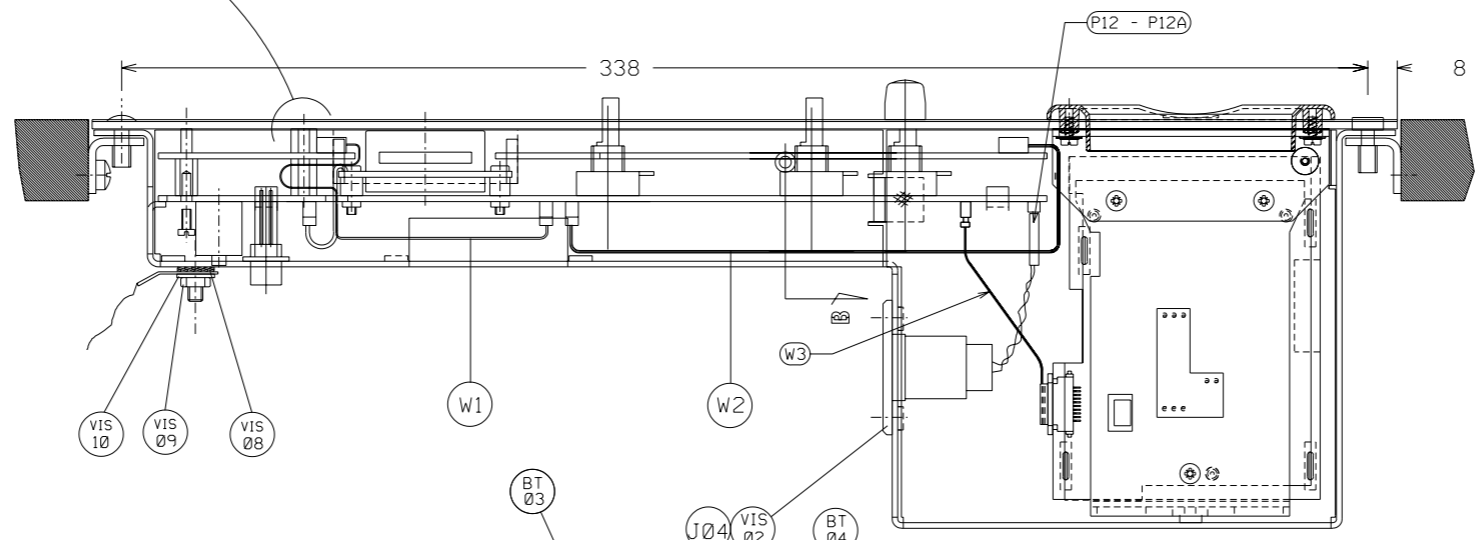
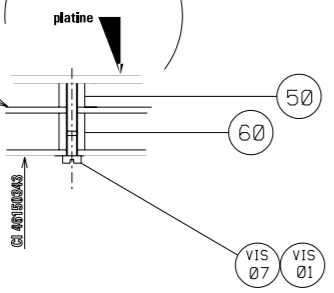
VUE SUIVANT FF



COUPE PARTIELLE F

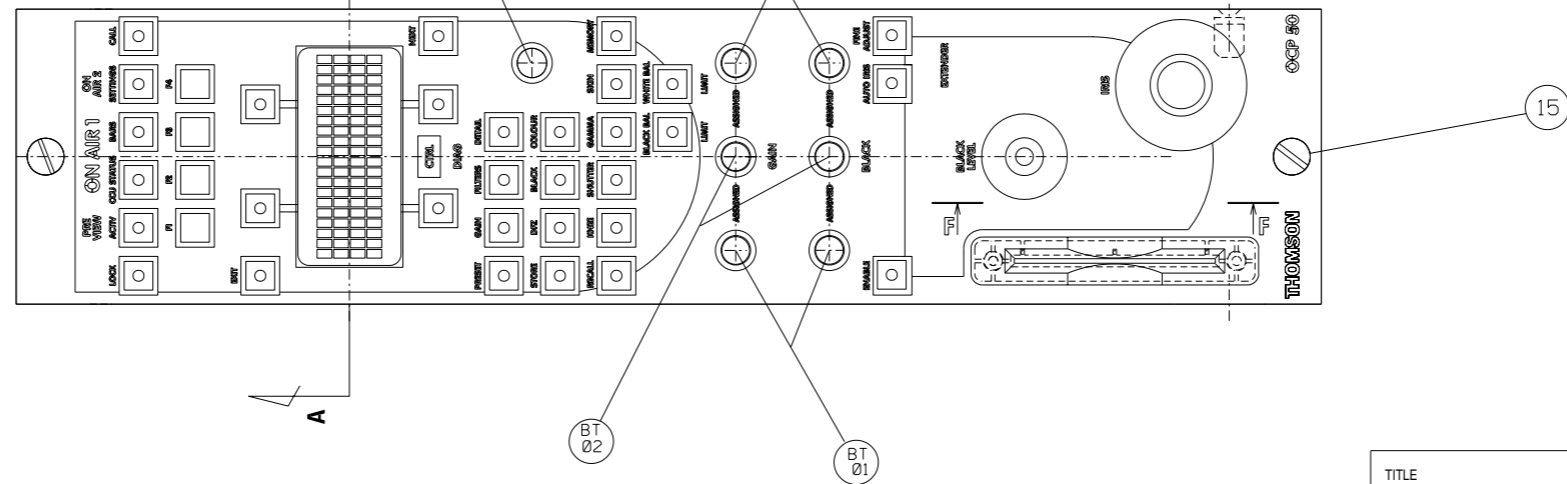
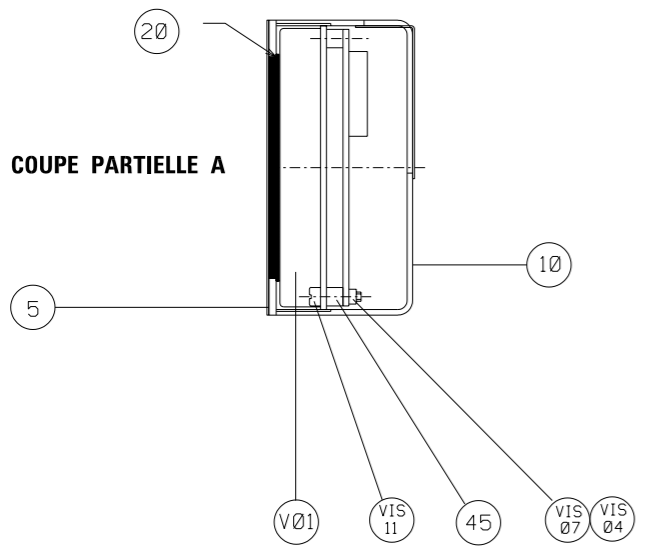


CI 46150344-46150345

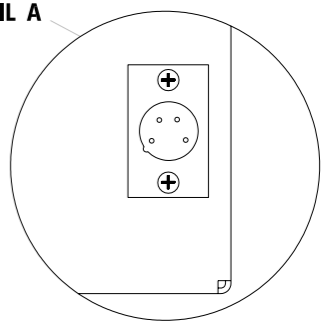


COUPE PARTIELLE B

COUPE PARTIELLE A



DETAIL A



TITLE		OCP50				
<b>ASSEMBLED OCP50</b>						
<b>THOMSON</b> BROADCAST SYSTEMS	DRAWING No 47232227	REV F	CODE 040	SIZE 1	SHEET 01/01	

ARTICLE: 47232227AA

CHAS CHASSIS  
OCP50 CABLE

REPERES TOPO	DESIGNATION 1	DESIGNATION 2	COMPOSANT	
50	----	ENTRETOISE	REPRISE	46152143
15	----	FILTRE LCD		46152146
165	----	VIS IMPERDABLE		46152147
205	----	EQUERRE DE FIXATION		46152311
34	----	CAPOT		46152312
33	----	BOUTON BLACK LEVEL		46153298AA
	----	BOUTON IRIS		46153299AA
	----	PLATINE OCP50		47232212AB
30	----	PLAQUE SUPPORT DIGI		47232216AA
40	----	AXE DE POSITIONNEME		47232220AA
FIL 14	FIL	FIL NF93523 AWG26	250V NOIR KZ04-04B	99070686
<b>Accessoires cablages</b>				
36	COLL	COLLIER ATTACHE	CABLE NYLON D:3,4MM NXO	T1003012
<b>Cables-cordons</b>				
FIL 01	FIL	FIL NF93523 AWG24	600V NOIR KZ05-05B	99024576
FIL 02	FIL	FIL NF93523 AWG24	600V ROUGE KZ05-05D	99029879
W 3	CAPL	FCF 1.00 D10 180 L3	-07	T1002592
W 1	CAPL	CABLE PLAT EQUIPE	FCF 1.00 A10 200 L3-3-07	T1005501
FIL 13	FIL	FIL UL1371 AWG26	250V BLANC	T9006099
<b>Cartes équipées</b>				
	CARP	PANEL PUPITRE OCP	PUPITRE OCP 40	1B518718AE
	CART	SMARTCARD		46150624AB
<b>Circuits intégrés mémoires CMS</b>				
Z 200	MPMS	CIRC PROC CMSPLCC52	MC68HC811E2FN	T1005225
Z 130	EPMS	MEM EPRO CMS PLCC44	256KX16 120NS	T9001714
<b>Commuteurs</b>				
S 01	CODR	CODEUR ROTATIF		91598936
<b>Connecteur</b>				
P 12	CNSC	FICHE F DRT FIL	RECT 1X3 NU PAS2.54	91397837
P 12 A	CNCT	47565-001 (ACHAT PA	00)	T1000298
J 04	CNEC	EMBASE M DRT FIL	XLR 04 SOUD J16	T1000305
P 13	CNSC	FICHE F DRT FIL	RECT 2X6 PAS2MM SERIE LY	T9005682
P 13 A	CNCT	CONTACT F SERT	AU/SN J26-30 D:0.7-1.2	T9005716
<b>Divers mécaniques</b>				
22	----	enjoliveur	ocp smart cart	46153297AB
	----	CHASSIS OCP		47232221AB
27	----	EQUERRE SMARTCARD		47268211AB
28	----	EQUERRE SUPPORT		47268212AB
BT 01	BTON	BOUTON	301 03 62 ROUGE	91613746
BT 02	BTON	BOUTON	301 03 65 VERT	91613747
BT 04	BTON	BOUTON	301 03 66 BLEU	91613749
23	JOIN	JOINT MOUSSE 140/65	EPR:3 LARG:5 DURASEAL	T1001398
35	ATT.	ATTACHE CB 4232		T1005258
BT 03	BTON	BOUTON	CAPSULE GRISE	T1005967
<b>Etiquettes</b>				
ETI 02	ETIM	CE 10x10		47018990
ETI 000	ETIQ	ETIQUETTE	DAT-1-637-10	91592387
	ETIQ	ETIQUETTE POLYESTER	40X15MM (CF:39962994/E)	T1003312
ETI 03	ETIQ	*ETIQUETTE 22X6,5MM	3921-3M(IDENTIF) BD:5000	T9004114
<b>Visserie-Ecrous-Rondelles-Rivets</b>				
VIS 07	RDEL	RONDELLE	520251-80	91280718
VIS 10	RDEL	RONDELLE M4U A4-50	PASSIVE	99012771
70	ECRU	ECROU NU503-2-A	A PINCE-ACIER	99051303
VIS 05	RDEL	RONDELLE 520301-80		99051638
VIS 02	VIS	VIS INOX A2.70 PASS	F/90+ PHILIPS M3X8	99052425
VIS 24	RDEL	RONDELLE M2,5U	A4-50 PASSIVE	99052511
VIS 04	ECRU	ECROU H M2,5 U INOX	A4 PASSIVE	99059911
VIS 09	ECRU	ECROU H M4 U INOX	A4 PASSIVE	99059913
VIS 03	VIS	VIS INOX.A4 PASS. C	M2.5X6/6 U	99060919
VIS 26	VIS	VIS INOX.A4 PASS. C	M3X6/6 U	99060923
VIS 30	VIS	VIS INOX A4 PASS. C	M3X8/8 U	99060924
60	ENTT	ENTRETOISE F/F	L10 TAR:M2.5 LAITON	T1000547
31	ENTT	ENTRETOISE F/F	L20 TAR:M2.5 LAITON	T1005158
VIS 01	VIS	VIS INOX A2.70 NOIR	CHC M2.5X6 SP39960411	T6000080
VIS 21	VIS	VIS AUTO.T ACIER-Z	PLASTIQUE TCB+Z M2.5X6	T9004817
VIS 08	RDEL	RONDELLE M4/8MM	EVENT. INOX-A2 DENTS-EXT	T9004859
VIS 25	VIS	VIS INOXA2	FX90 M3X6	T9005891