

Turbo™ iDDR Rack-Mount Kit Instructions

These instructions describe how to install the Turbo iDDR in standard equipment racks using the optional rack-mount kit.

Information here includes:

- “Before you begin” on page 1
- “Rack mount hardware shipped with the iDDR” on page 2
- “Mounting the Rack Slides” on page 3
- “Installing the rack-mount kit” on page 5
- “Installing the iDDR on the rack mount rails” on page 6
- “Grass Valley Product Support” on page 7

Before you begin

When planning the placement of equipment in your equipment rack, bear in mind the following:

- Insure adequate air flow around the chassis to provide sufficient cooling. Operating ambient temperature will affect the amount of air circulation required to keep the iDDR within its temperature limitations. See the Turbo iDDR User Manual for environmental specifications.
- If the system is installed with its ventilation intakes near another system's exhaust or in a closed or multi-unit rack assembly, the operating ambient temperature inside the chassis may be greater than the room's ambient temperature. Install the system in an environment compatible with the recommended maximum ambient temperature.
- Ensure the rack is anchored to the floor so that it cannot tip over when the iDDR is extended out of the rack.
- Be sure to mount the iDDR in a way that ensures even weight distribution in the rack. Uneven mechanical loading can result in a hazardous condition. Secure all mounting bolts when installing the chassis to the rack.

The following sections describe installing the Turbo iDDR rack-mount kit step-by-step.

Copyright © 2005 Thomson Broadcast and Media Solutions, Inc. All rights reserved. Printed in the United States of America.

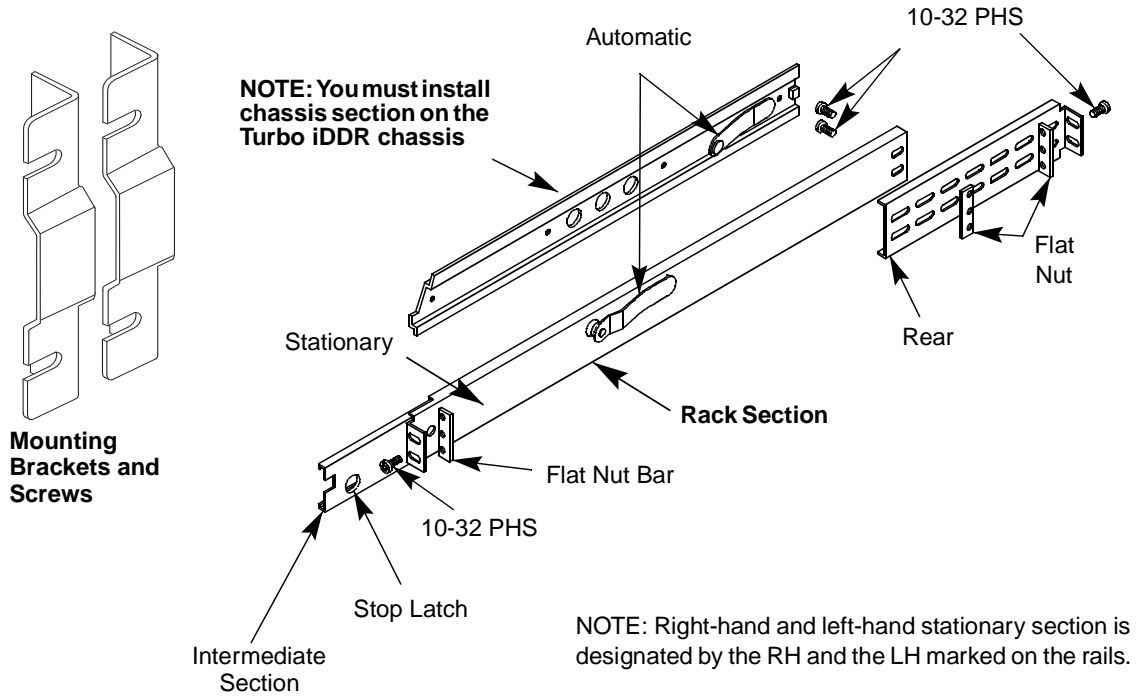
This document may not be copied in whole or in part, or otherwise reproduced except as specifically permitted under U.S. copyright law, without the prior written consent of Thomson Broadcast and Media Solutions, Inc., P.O. Box 59900, Nevada City, California 95959-7900

Grass Valley, Turbo, Profile, and Profile XP are either registered trademarks or trademarks of Thomson Broadcast and Media Solutions, Inc. in the United States and/or other countries. Other trademarks used in this document are either registered trademarks or trademarks of the manufacturers or vendors of the associated products. Thomson Broadcast and Media Solutions, Inc. products are covered by U.S. and foreign patents, issued and pending. Additional information regarding Thomson Broadcast and Media Solutions, Inc.'s trademarks and other proprietary rights may be found at www.thomsongrassvalley.com.

Product options and specifications subject to change without notice. The information in this manual is furnished for informational use only, is subject to change without notice, and should not be construed as a commitment by Thomson Broadcast and Media Solutions, Inc. Thomson Broadcast and Media Solutions, Inc. assumes no responsibility or liability for any errors or inaccuracies that may appear in this publication.

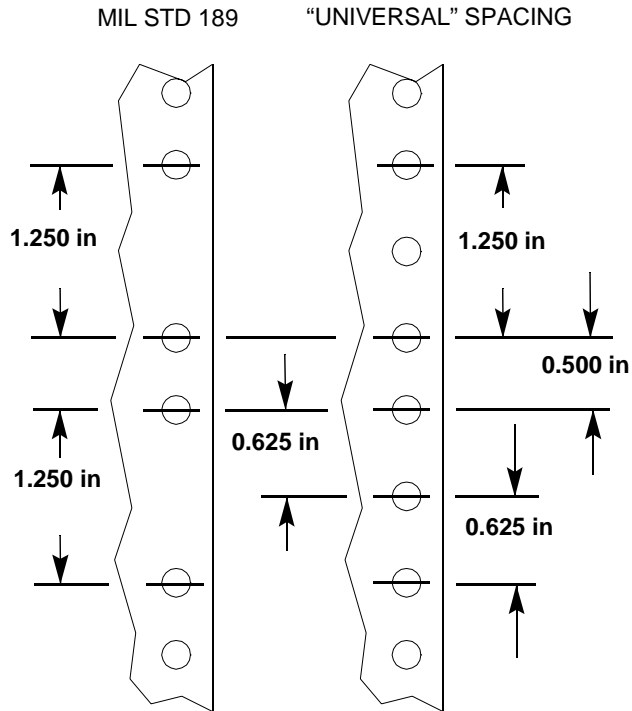
Rack mount hardware shipped with the iDDR

Your iDDR rack-mount kit comes with rack mounting hardware as shown.



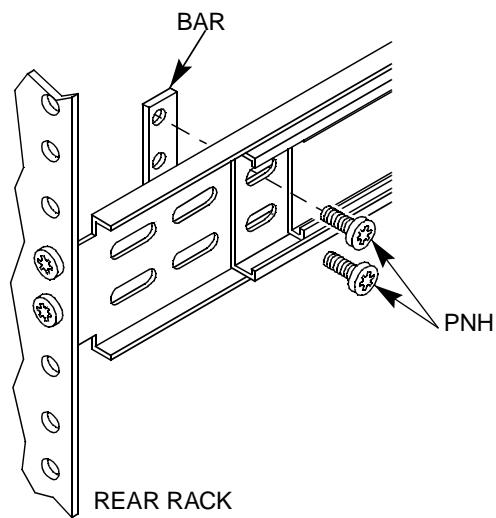
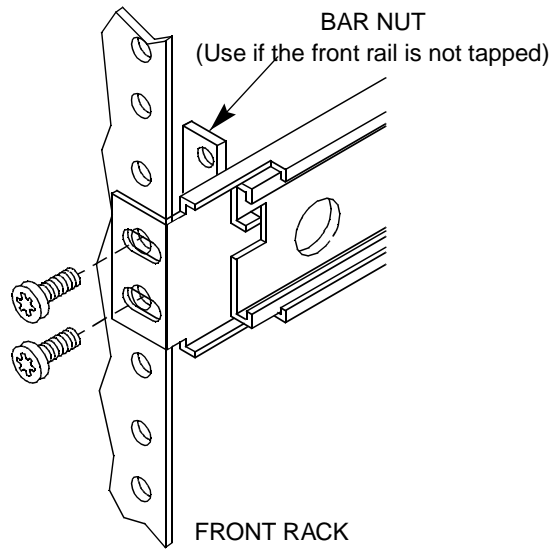
Mounting the Rack Slides

Choose the proper set of rail mounting holes on the rack. Notice that the hole spacing can vary with the rack type. When mounting the slides in racks with EIA spacing, make sure that the slides are attached to the 0.5-inch spaced holes.



Front and rear rack rail mounting hardware is provided with the rack mount kit. Mount the rails using the enclosed hardware. Make sure the stationary sections are horizontally aligned and are level, as well as parallel to each other.

Mounting the Rack Slides

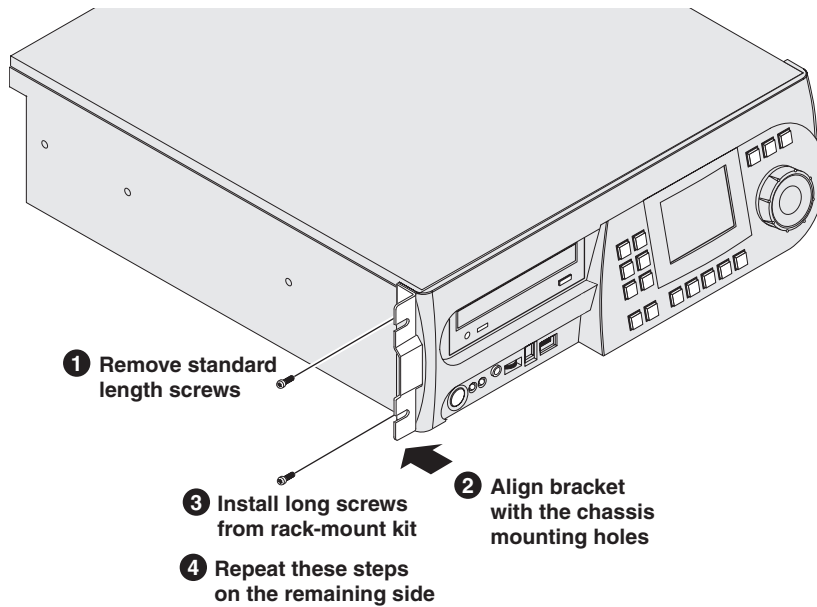


Installing the rack-mount kit

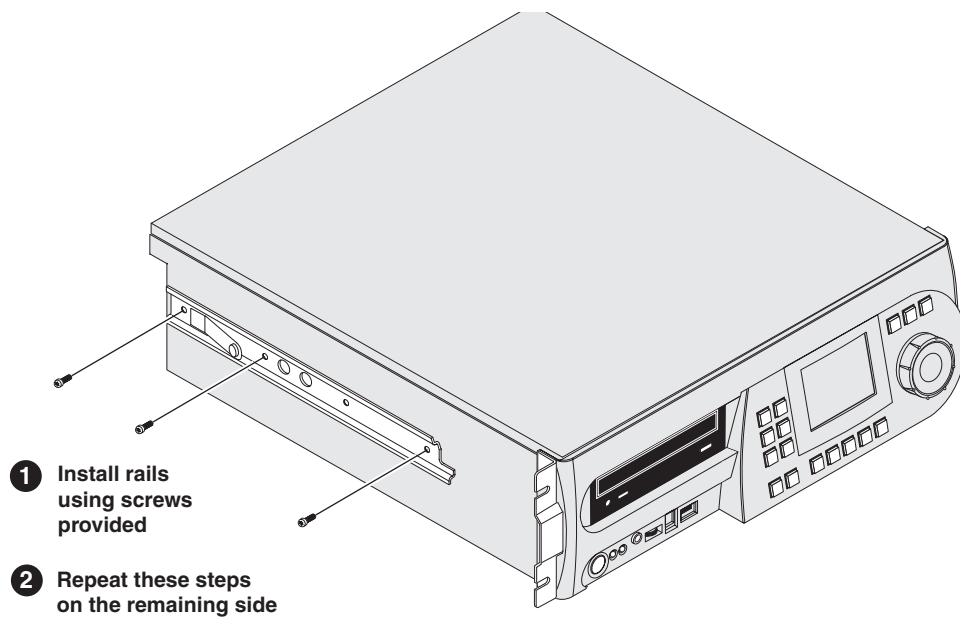
Tools needed:

- Screw drive with Torx tip T15.

Install both rack-mount brackets



Install both rack-mount rails



Installing the iDDR on the rack mount rails

To install the iDDR on the rack mount rails:

1. Pull the slide-out track section to the fully extended position.

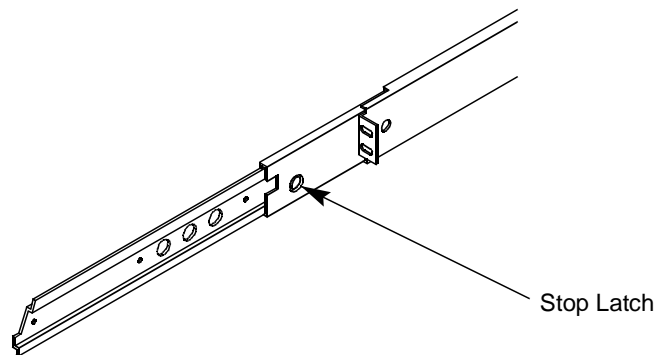


WARNING: To prevent injury, two people are required to lift the iDDR. It is too heavy for one person to install in the rack.



WARNING: To prevent serious injury, insure that the rack is anchored to the floor so that it cannot tip over when the iDDR is extended out of the rack.

2. Insert the ends of the chassis sections into the slide-out sections.
3. Push the chassis toward the rack until the chassis sections lock into the intermediate sections.
4. Press the stop latches in the intermediate sections and push the chassis toward the rack until the latches snap into their holes.



5. Again, press the stop latches and push the cabinet fully into the rack.
6. Insert and tighten the front retaining screws.

Making Rack Slide Adjustments

After installation, binding may occur if the slide tracks are not properly adjusted. To adjust the tracks:

1. Slide the chassis out approximately 10 inches.
2. Slightly loosen the mounting screws holding the tracks to the front of the rails and allow the tracks to seek an unbound position.
3. Tighten the mounting screws and check the tracks for smooth operation by sliding the chassis in and out of the rack several times.
4. Tighten the front retaining screws once the cabinet is in place within the rack to complete the installation.

Grass Valley Product Support

To get technical assistance, check on the status of problems, or report new problems, contact Grass Valley Product Support via e-mail, the Web, or by phone or fax.

Web Technical Support

To access support information on the Web, visit the product support Web page on the Grass Valley Web site. You can download software or find solutions to problems by searching our Frequently Asked Questions (FAQ) database.

World Wide Web: <http://www.thomsongrassvalley.com/support/>

Technical Support E-mail Address: gvgtechsupport@thomson.net

Phone Support

Use the following information to contact product support by phone during business hours. Afterhours phone support is available for warranty and contract customers.

United States	(800) 547-8949 (Toll Free)	France	+33 (1) 34 20 77 77
Latin America	(800) 547-8949 (Toll Free)	Germany	+49 6155 870 606
Eastern Europe	+49 6155 870 606	Greece	+33 (1) 34 20 77 77
Southern Europe	+33 (1) 34 20 77 77	Hong Kong	+852 2531 3058
Middle East	+33 (1) 34 20 77 77	Italy	+39 06 8720351
Australia	+61 1300 721 495	Netherlands	+31 35 6238421
Belgium	+32 2 3349031	Poland	+49 6155 870 606
Brazil	+55 11 5509 3440	Russia	+49 6155 870 606
Canada	(800) 547-8949 (Toll Free)	Singapore	+656379 1390
China	+86 106615 9450	Spain	+ 34 91 512 03 50
Denmark	+45 45968800	Sweden	+46 87680705
Dubai	+ 971 4 299 64 40	Switzerland	+41 (1) 487 80 02
Finland	+35 9 68284600	UK	+44 870 903 2022

Authorized Support Representative

A local authorized support representative may be available in your country. To locate the support representative for your country, visit the product support Web page on the Grass Valley Web site.

