

# M-Series iVDR Front Panel Cradle Kit Instructions

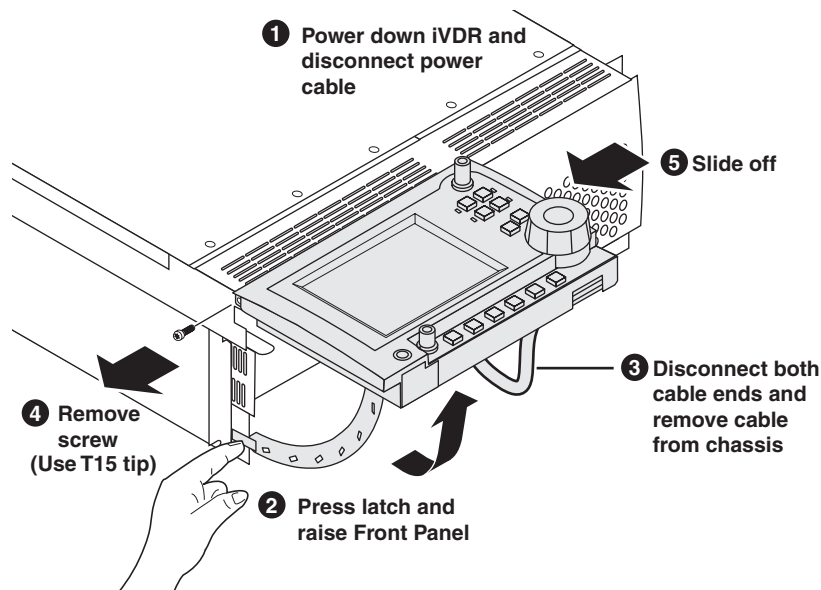
Use these installation instructions to install the M-Series iVDR Front Panel in the cradle for remote operation. You need a Torx tool with a T15 tip and a T9 tip.

## Safety Summaries



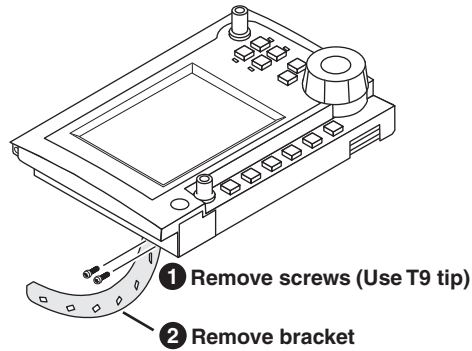
**WARNING:** *In order to avoid personal injury and prevent damage to this product and its peripheral products, be sure to review all safety and ESD precautions listed in the M-Series Service Manual.*

## Step 1: Remove the Front Panel

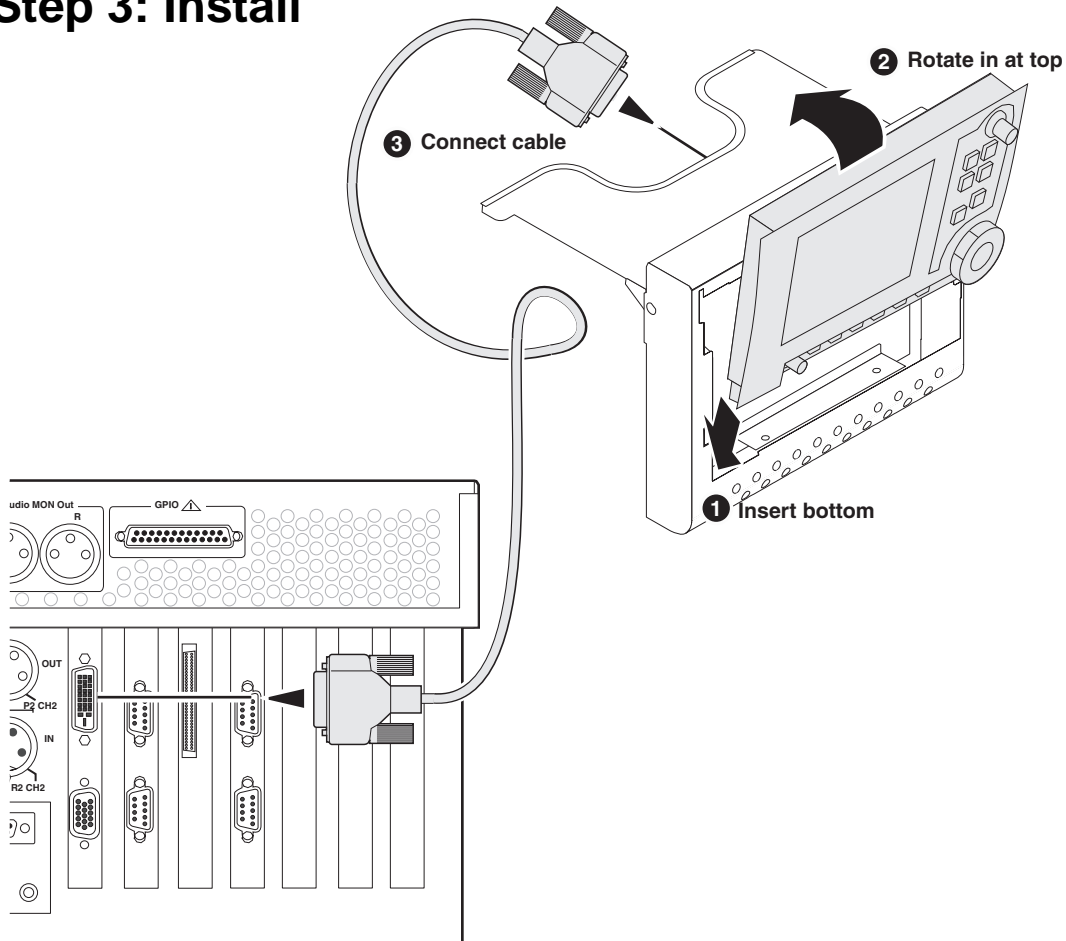


After the Front Panel is removed you can replace it with the Media Drive Door that is included with this kit.

## Step 2: Remove the bracket



## Step 3: Install



## Step 4: Calibrate the touch screen

Power on and from the Windows desktop open the **Touch Screen Calibrator** shortcut. Refer to the *M-Series User Manual* for detailed instructions.