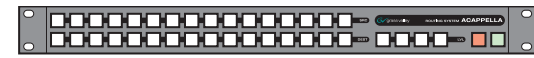


Acappella Quick Start Guide

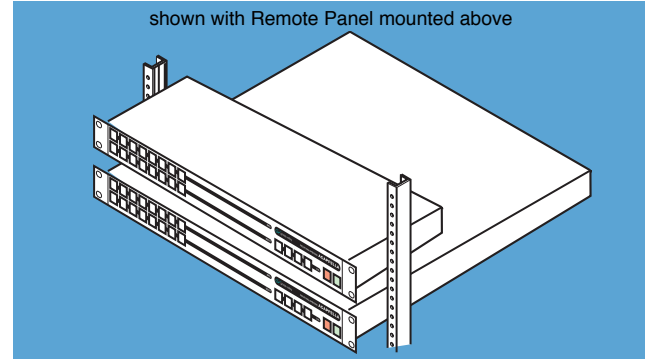
Before you begin, unpack and identify:



Acappella Router

- Instruction Manual
- License
- Power Cords
- System Software
- External Power Supply (Analog Routers)

1 For all physical configurations install Acappella in rack

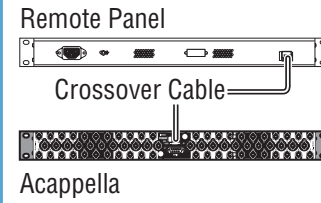


Router			
Depth	Width	Height	Weight
392 mm 15.43 in.	483 mm 19 in.	44 mm 1.75 in.	4.89 kg. 10.78 lbs.
Voltage Input		Power Consumption	
100-240 V AC		50-60 Hz	
Remote Panel			
Depth	Width	Height	Weight
106 mm 4.18 in.	483 mm 19 in.	44 mm 1.75 in.	1.04 kg. 2.3 lbs.
Voltage Input		Power Consumption	
100-240 V AC		50-60 Hz	
≤40 W			

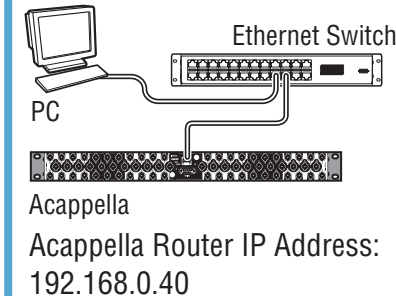
2 Create Network

If Installing Router Only (no remote panels or PC) proceed to STEP 3

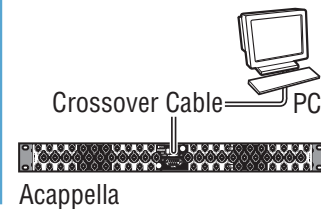
Remote Panel



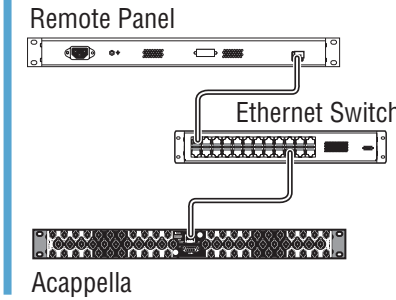
PC and Switch



PC



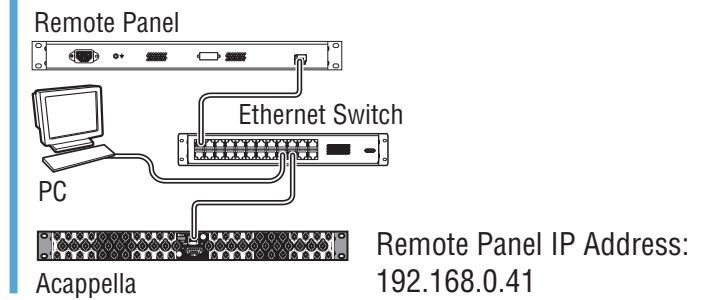
Remote Panel and Switch



Closed Networks and Acappella Router Systems

Create closed networks between Acappella Routers, Remote Panels, and PCs using Ethernet cables and/or switches. A closed network is one that is kept separate from other Local Area Networks and the Internet. Use patch cables if you are using switches between the routers, panels, and PCs. It is also possible to use a crossover cable to connect an Acappella Router directly to either a Remote Panel or a PC; this option is only practical in very small systems. One of the five networks shown in step 2 should work for your facility.

Remote panel, Switch and PC



3 Connect Video Reference

Video Reference Specifications, see Table 1

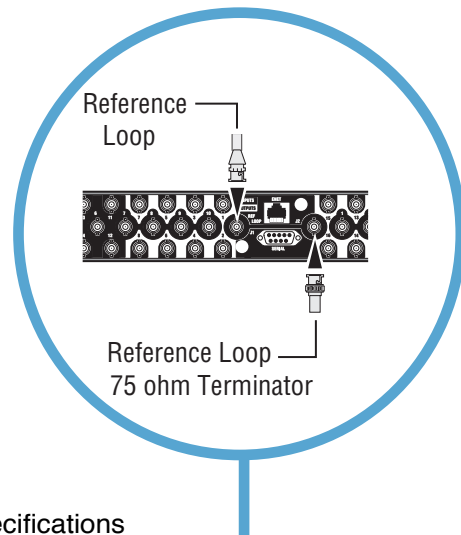


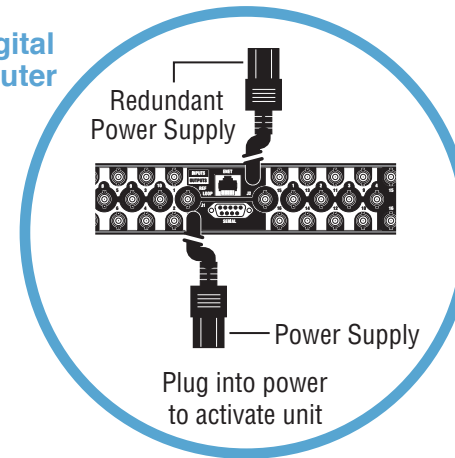
Table 1. Video Reference Specifications

Reference Type *	Default	Horizontal Offset (0 midpoint)	Vertical Offset (0 midpoint)	
NTSC Color Black	Switching middle of line 10	Adjustable up to +/- 30.5us	Adjustable from -15 lines up to +16 lines	
PAL Color Black	Switching middle of line 6	Adjustable up to +/- 31.1us		
TLS Tri-Level-Sync	Switching middle of line 7	720p/59.94 & 720p/60		Adjustable up to +/- 10.3us
		720p/50		Adjustable up to +/- 12.7us
		1080i/59.94 & 1080i/60		Adjustable up to +/- 14.2us
		1080i/50	Adjustable up to +/- 17.1us	
		1080p/24 & 1080fs/48	Adjustable up to +/- 18.0us	

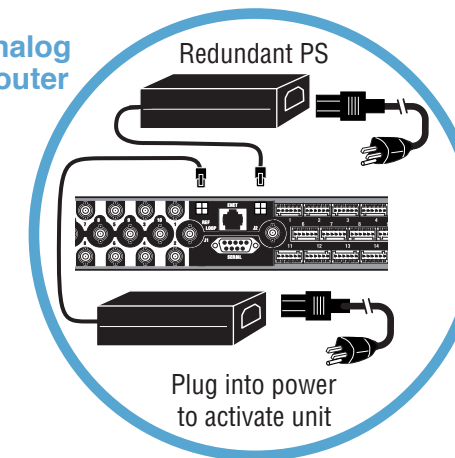
* All Input signals and the Video Reference signal need to be in time with each other.

4 Connect Power Cords

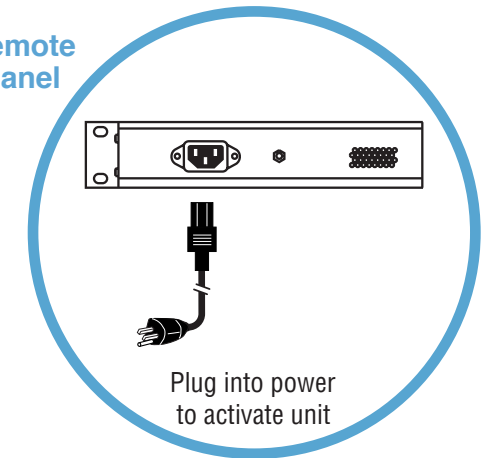
Digital Router



Analog Router



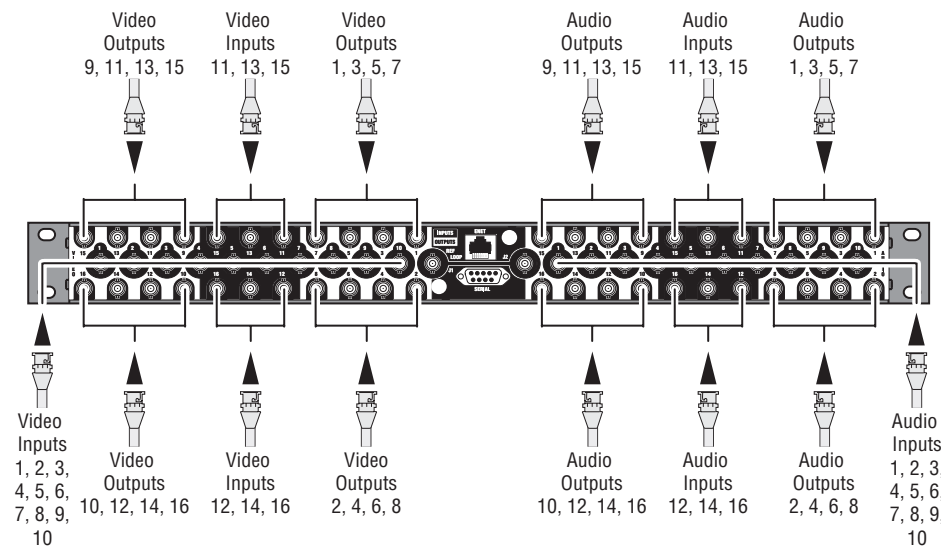
Remote Panel



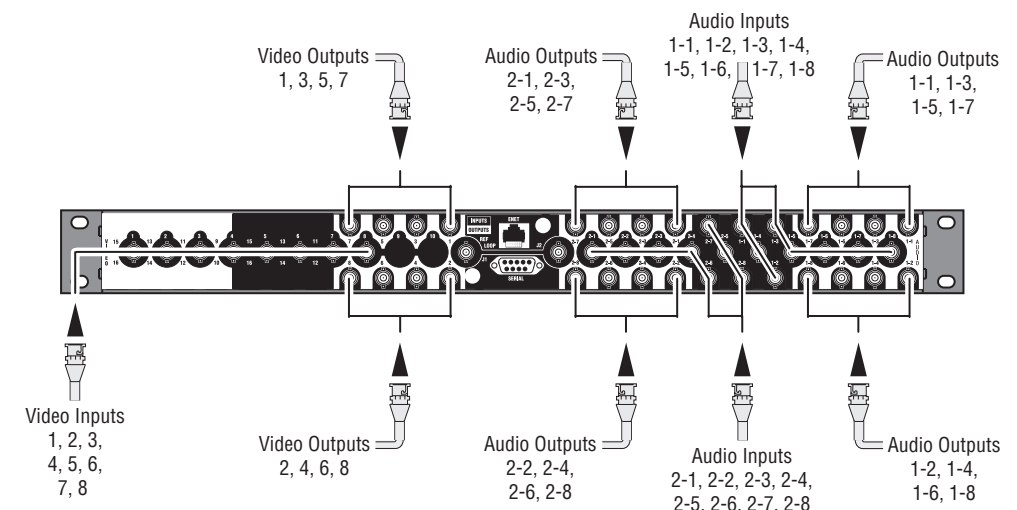
Acappella Quick Start Guide

5 Cabling for Acappella Routers

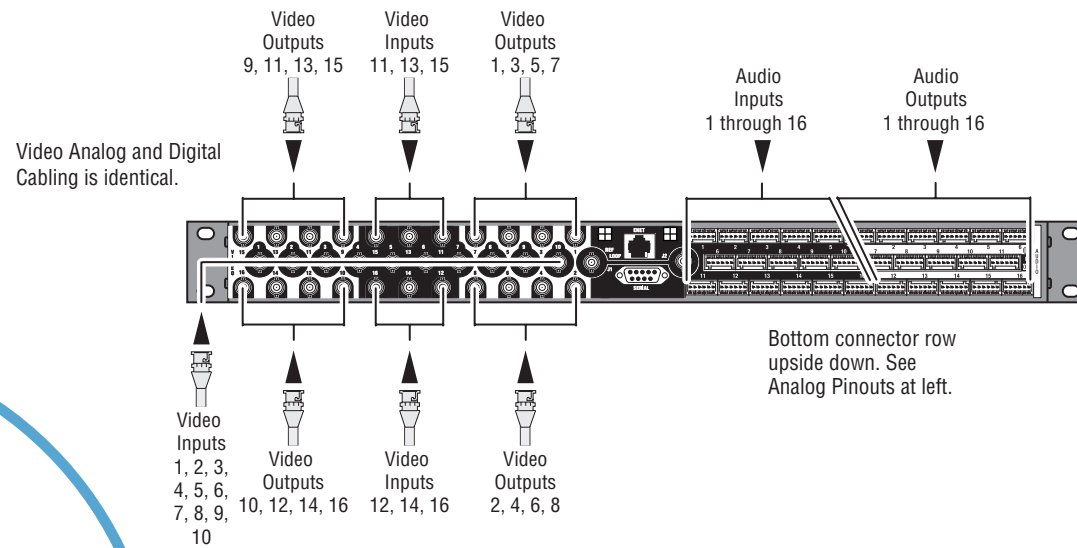
Cabling for Acappella Digital 16 x 16 Router



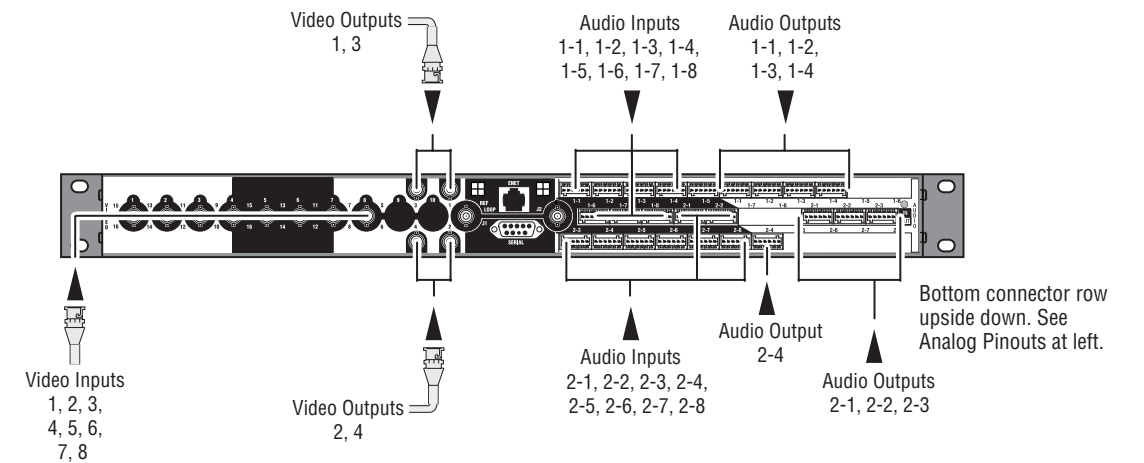
Cabling for Acappella Digital 8 x 8 Dual Stereo Router



Cabling for Acappella Analog 16 x 16 Router

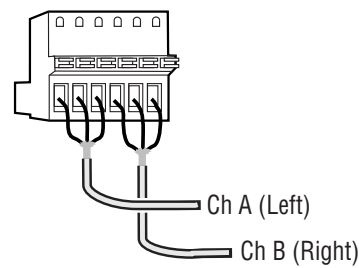
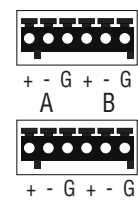


Cabling for Acappella Analog 8 x 4 Dual Stereo Router

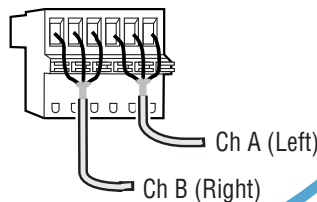
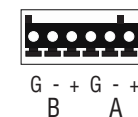


Analog Pinouts (balanced)

Top 2 Rows (connector right side up)



Bottom Row (same connector upside down)



For Router and PC or Router, Remote Panel, and PC

6 Load software 7 View and modify settings

See the Acappella Instruction Manual for more details.

www.thomsongrassvalley.com