

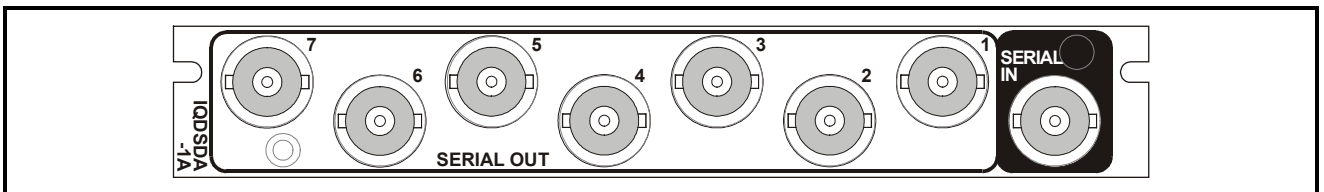
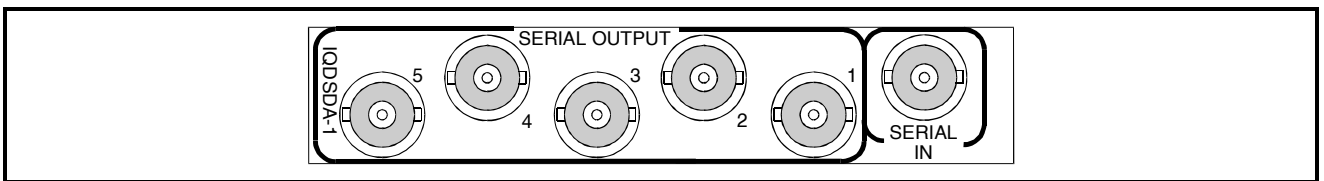
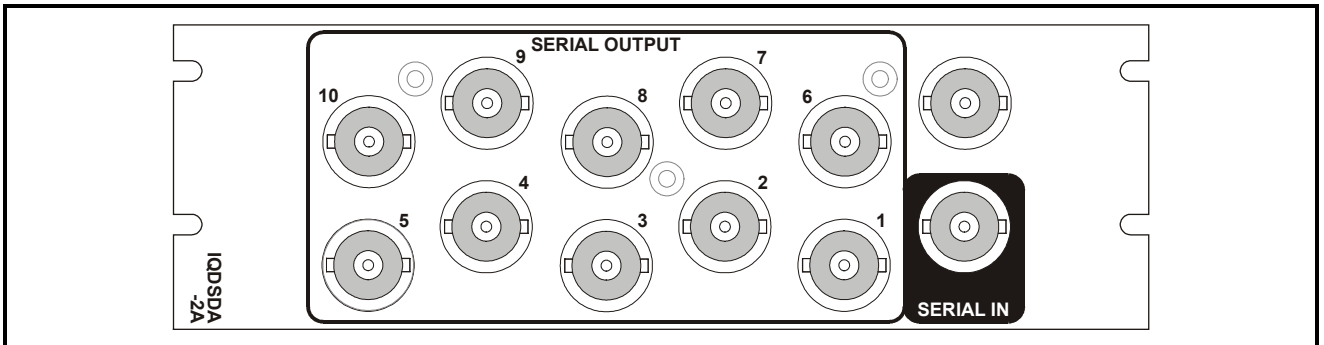
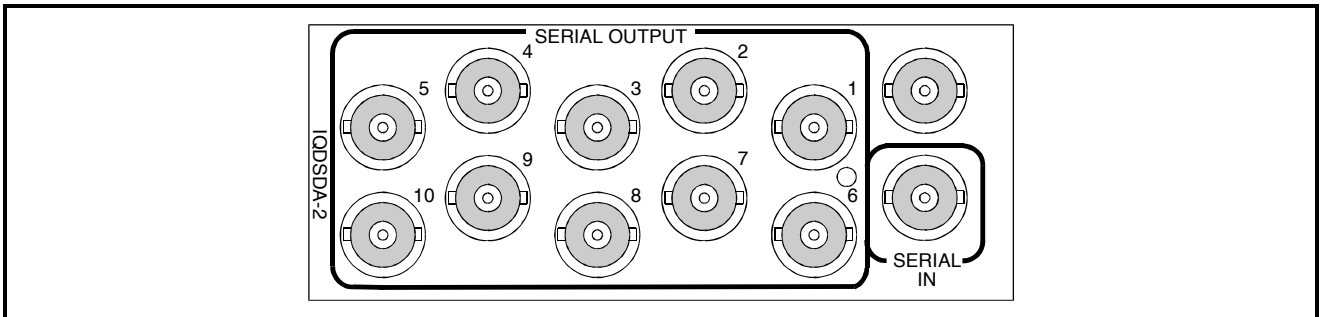


IQDSDA Serial D. A.

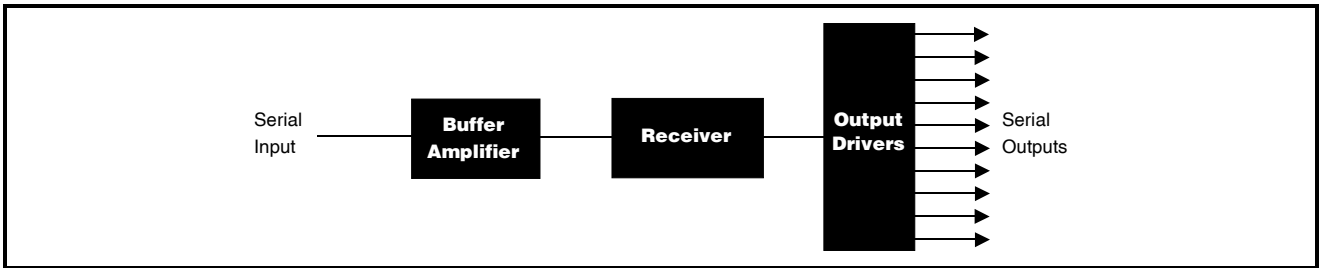
Module Description

The IQDSDA provides up to ten equalized outputs operating with 143, 177 and 270 Mbit/s SDI signals, or 5 non-inverting outputs suitable for 270 Mbit/s ASI signals.

REAR PANEL VIEWS



BLOCK DIAGRAM



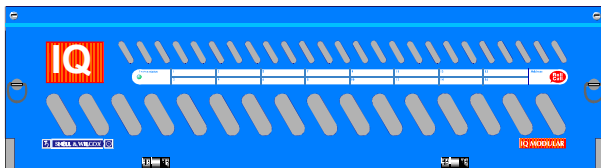
Versions of the module cards available are:

IQSDA-1	Non-reclocking Serial Digital D. A. 5 SDI/ASI outputs	Single width module
IQSDA-2	Non-reclocking Serial Digital D. A. 10 SDI / 5 ASI outputs	Double width module
IQSDA-1A	Non-reclocking Serial Digital D. A 7 SDI / 5 ASI outputs	Single width module
IQSDA-2A	Non-reclocking Serial Digital D. A 10 SDI / 5 ASI outputs	Double width module

Note that there are two styles of rear panels available. They are not interchangeable between the two styles of enclosures. However, the cards may be fitted into any style of enclosure.

‘A’ Style Enclosure

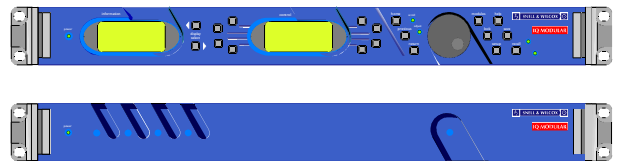
Rear panels **with** the suffix A may only be fitted into the ‘A’ style enclosure shown below.



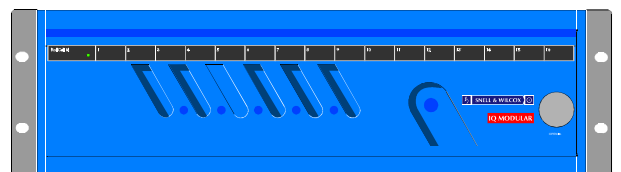
(Enclosure order codes IQH3A-E-O, IQH3A-E-P, IQH3A-N-O, IQH3A-N-P)

‘O’ Style Enclosures

Rear panels **without** the suffix A may only be fitted into the ‘O’ style enclosures shown below.



(Enclosure order codes IQH1S-RC-O, IQH1S-RC-AP, IQH1U-RC-O, IQH1U-RC-AP, Kudos Plus Products)



(Enclosure order codes IQH3N-O, IQH3N-P)



(Enclosure order codes IQH3U-RC-O, IQH3U-RC-P)

Features

- Provides up to 10 buffered outputs
- Passive relay bypass option
- Applicable to serial 4:2:2/4fsc and ASI formats
- 525 or 625 operation

Technical Profile

Features

Signal Inputs

Serial 143, 177, 270 SDI or 270 Mbit/s
 ASI
 Standards SMPTE 259M-ABC-1997, DVB-ASI

Signal Outputs

Serial Digital Up to 10 SDI
 Standards SMPTE 259M-ABC-1997, DVB-ASI

Specifications

Note that this module does not perform re-clocking.

Input Return Loss..... better than 15 dB to 270 MHz

Maximum Input Cable Length
 >200 m (up to 150 m combined
 input and output cable length, -RR
 version)

Output Return Loss better than 15 dB to 270 MHz

SDI Output Level..... 800 mv \pm 5%

Power Consumption

Module Power Consumption
 2.5 W max
 -RR version 2.75 W max

INPUTS AND OUTPUTS

SERIAL INPUT

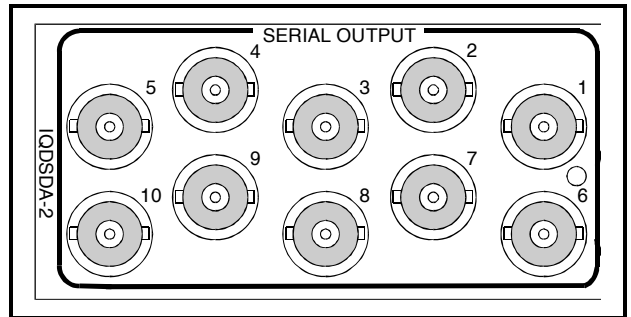
The serial digital input to the unit is made via this BNC connector which terminates in 75 Ohms.



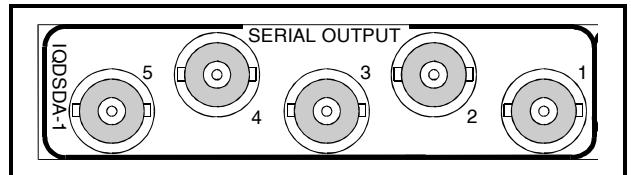
SERIAL OUTPUTS

These are the isolated Serial Digital outputs of the unit via BNC connectors for 75 Ohms.

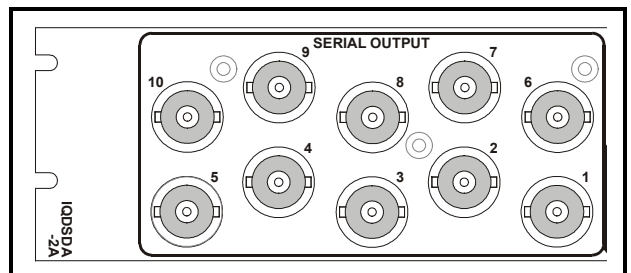
IQDSDA-2 Outputs 6 to 10 are DVB-ASI compatible.



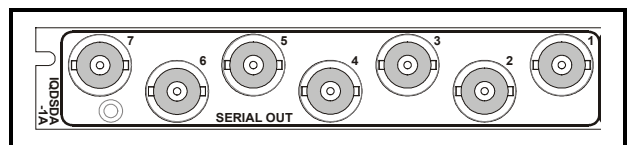
IQDSDA-1 All outputs are DVB-ASI compatible.



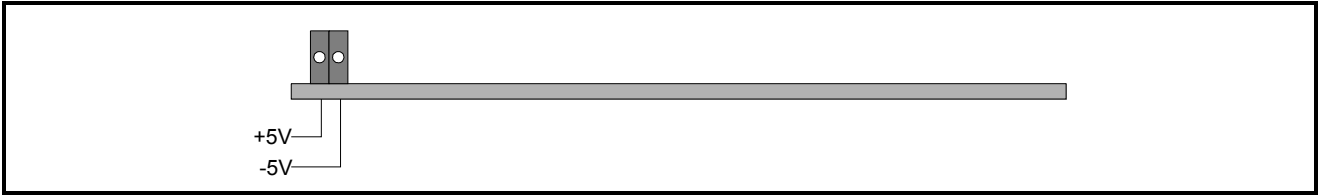
IQDSDA-2A Outputs 1 to 5 are DVB-ASI compatible.



IQDSDA-1A Outputs 1, 3, 4, 6, 7 are ASI compatible.



CARD EDGE CONTROLS



There are no controls on this module card

LED INDICATORS

These LED's indicate that the +5V and the -5V power supplies are present.

