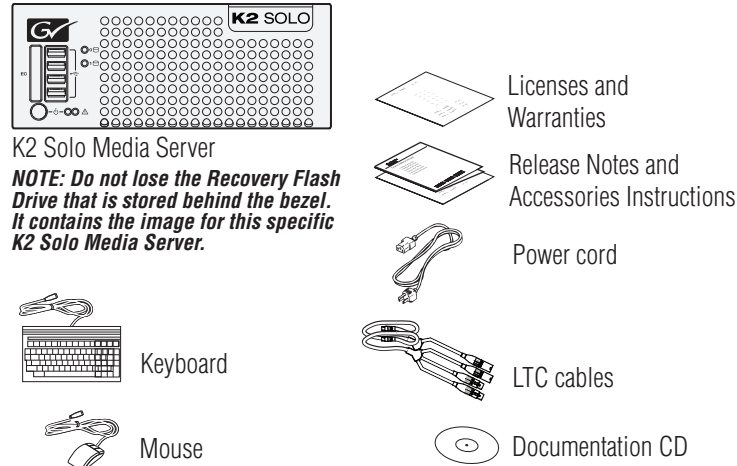


K2 Solo Media Server Quick Start Guide

071-8710-01 April 8, 2010

Before you begin, unpack the following items...



...and locate the documentation you need.

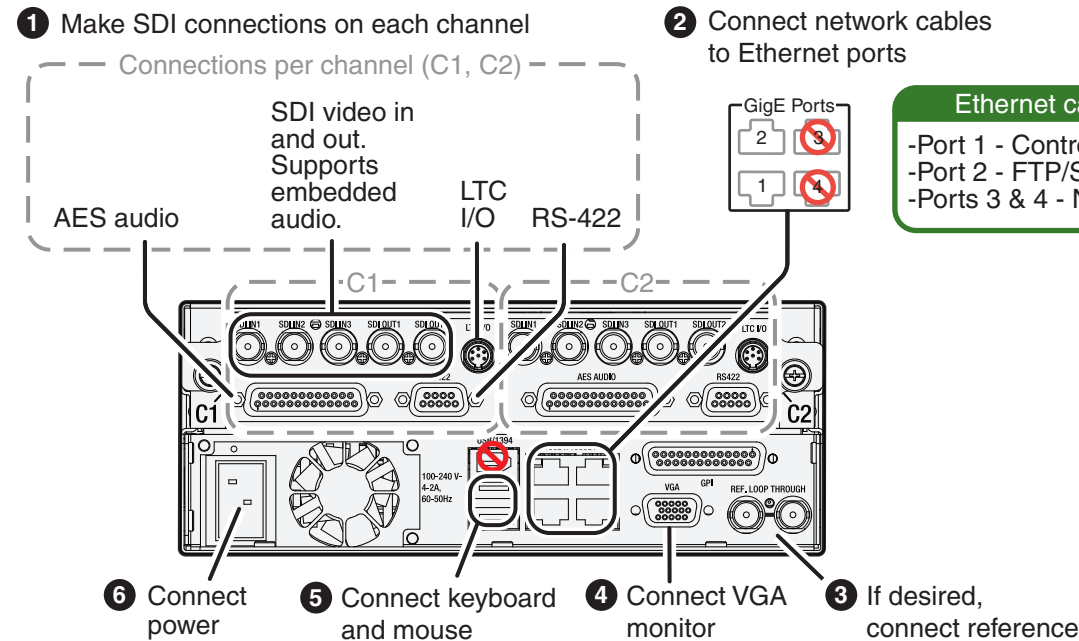
Documentation path to install K2 Solo Media Server



1. Make cable connections

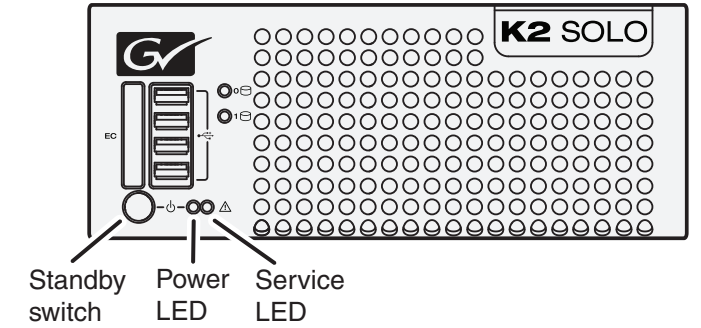
SDI connections			
	IN1	IN2	IN3
Standard	Active		
Multi-Cam*	Video1	Video2	
3D/Video + Key record*	Video (R eye)	Key (L eye)	
Super Slo-Mo*	Phase1	Phase2	Phase3
OUT connections			
	OUT1	OUT2	
Standard	Active	Active	Duplicates OUT1
3D/Video + Key play*	Video (R eye)	Key (L eye)	
Super Out*	Active	Super Out info	

Standard bi-directional channels
Each channel (C1, C2) can be an input (record channel) or an output (play channel). Connect video/audio IN and OUT to each channel, as appropriate for your intended use.



2. Start up

1 Identify the following:



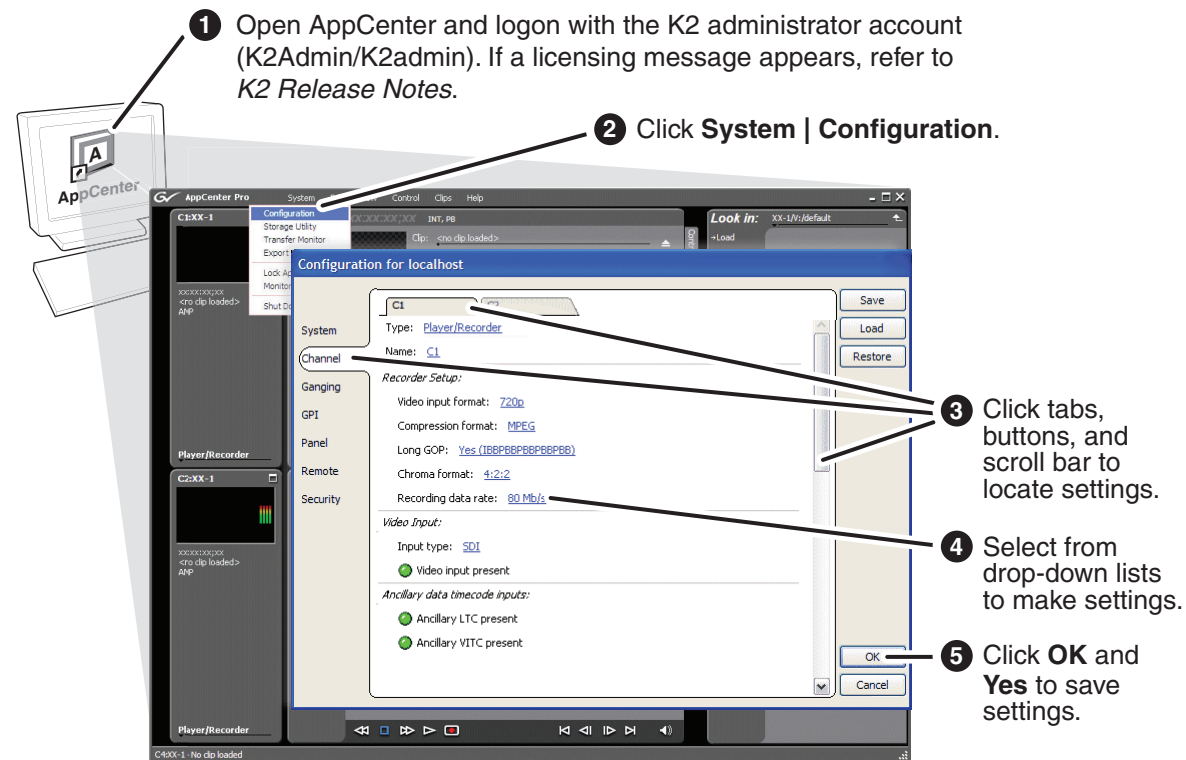
2 Press the standby switch to power on.

3 Log on with the default Windows admin account:
-Username: Administrator
-Password: adminK2

4 On the Windows desktop, check the system tray. When the network icon indicates connectivity, the K2 Solo Media Server is operational.

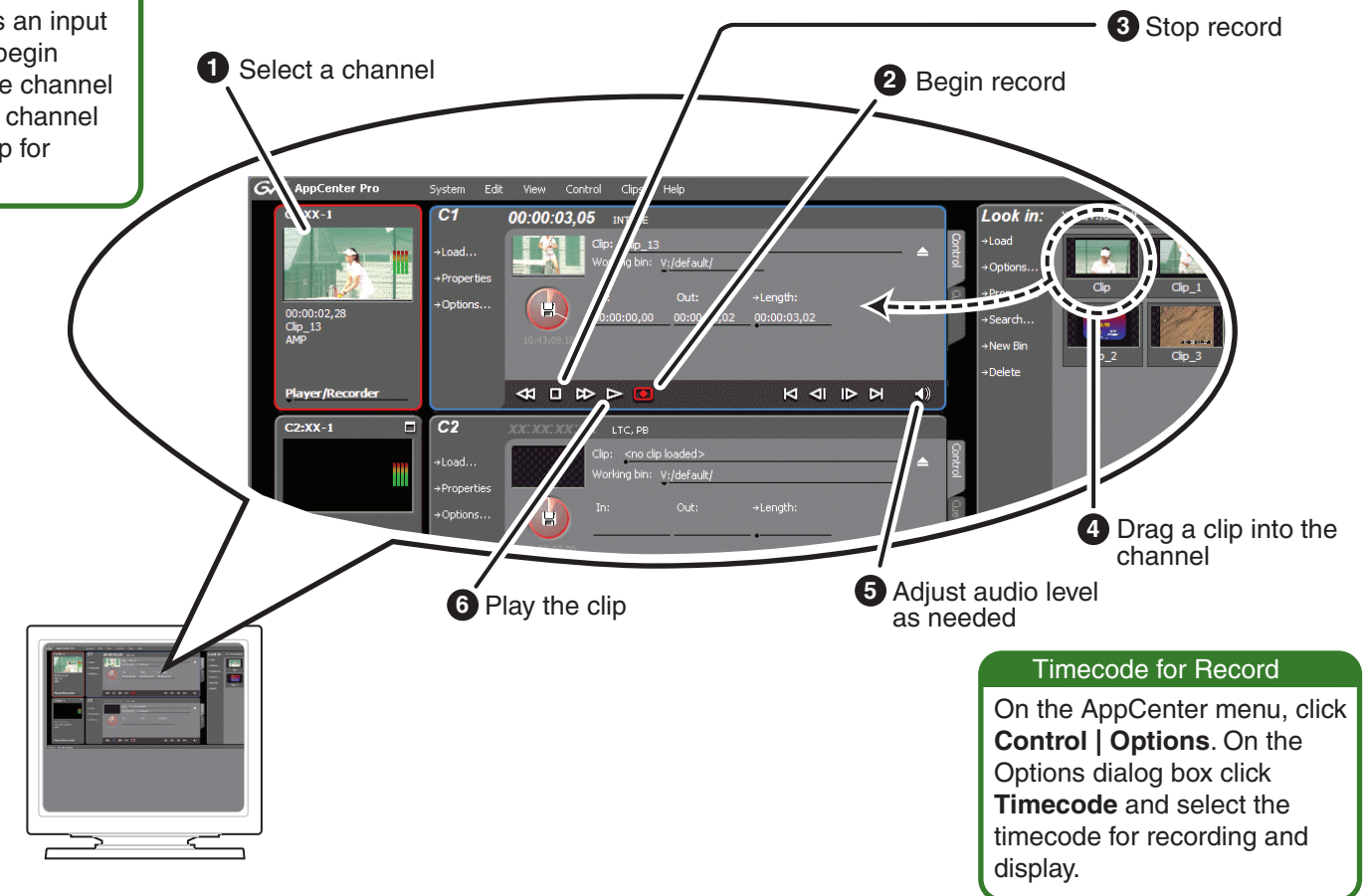
Normal startup sequence
Power LED goes on and stays on. Service LED stays off.

3. Configure channels



4. Record and play

Bi-directional channels
A channel becomes an input channel when you begin recording. The same channel becomes an output channel when you load a clip for playback.



Continue with Quick Start procedures on the reverse side.

5. Create a playlist

1 Select Playlist

2 Drag clips into the channel

3 Play the list

Refer to the AppCenter Help menu for complete information about playlist functionality and other operations, such as editing subclips.

6. Monitor

Click **View | Video Monitor**

- Toolbar
- Full Screen
- Video Monitor

Video monitor support

The VGA resolution must be 1024 x 768 x 32 or greater to support live (moving) video monitoring.



7. Configure network, if desired

Refer to *K2 Release Notes* and the *K2 System Guide* for more information about the write filter, SiteConfig, and network configuration.

1 Take note of the chassis serial number, located on the rear of the unit.

2 Click **Start | All Programs | Grass Valley | Write Filter Utility**.

FBWF Manager opens.

The K2 Solo Media Server has a file-based write filter to protect from changes and increase on-air reliability. The write filter must be disabled before making changes and enabled after changes are complete.

3 Set Filter to **Disable**, click **OK**, and restart as prompted.

4 Choose your method for network configuration.

- **SiteConfig** – Install SiteConfig on a control point PC, discover the K2 Solo Media Server, and configure network interfaces.

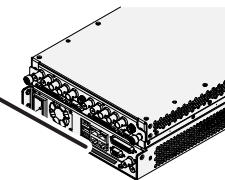
- **Manual configuration** – At the local K2 Solo Media Server, use standard Windows operating system procedures.

5 Configure Control Team for the control network.

6 If desired, configure Media Connection #1 for the FTP/Streaming network.

7 Configure network name resolution via host files or otherwise, as required by on-site networking. FTP/Streaming network hostnames must include “_he0” suffix.

8 When changes are complete, enable the write filter.



Default network settings

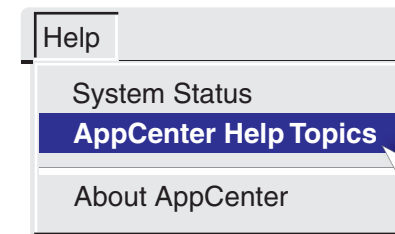
DHCP is enabled and the chassis serial number is the hostname.

Ethernet connection names

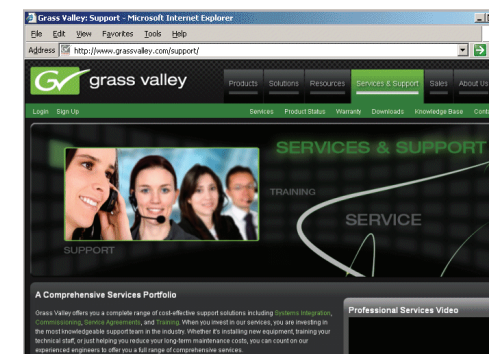
This rear panel GigE port...	Is named this in Windows Network Connections...
1	Control Team (Control Connection #1)
2	Media Connection #1
3	Media Connection #2
4	Control Team (Control Connection #2)

8. For more information...

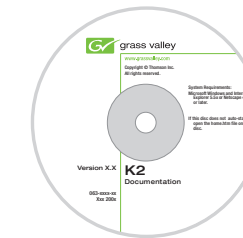
In AppCenter, click **Help | AppCenter Help Topics** and read the complete documentation for operating and configuring K2 Solo Media Server channels.



Go to <http://www.grassvalley.com/support> and find solutions to problems.



Find the complete documentation set for K2 products on the Documentation CD:



- User Guide
- System Guide
- Service Manual
- SAN Manual
- Cabling Guide
- RAID Instruction Manuals



Use the following information to contact product support by phone during business hours. Afterhours phone support is available for warranty and contract customers.

International (France)	+800 80 80 20 20 +33 1 48 25 20 20
International (United States, Canada)	+800 547 8949 +1 530 478 4148

Go to <http://www.grassvalley.com/support/contact> for phone numbers to contact your local support center directly during normal business hours.



Copyright © Grass Valley, Inc. All rights reserved.