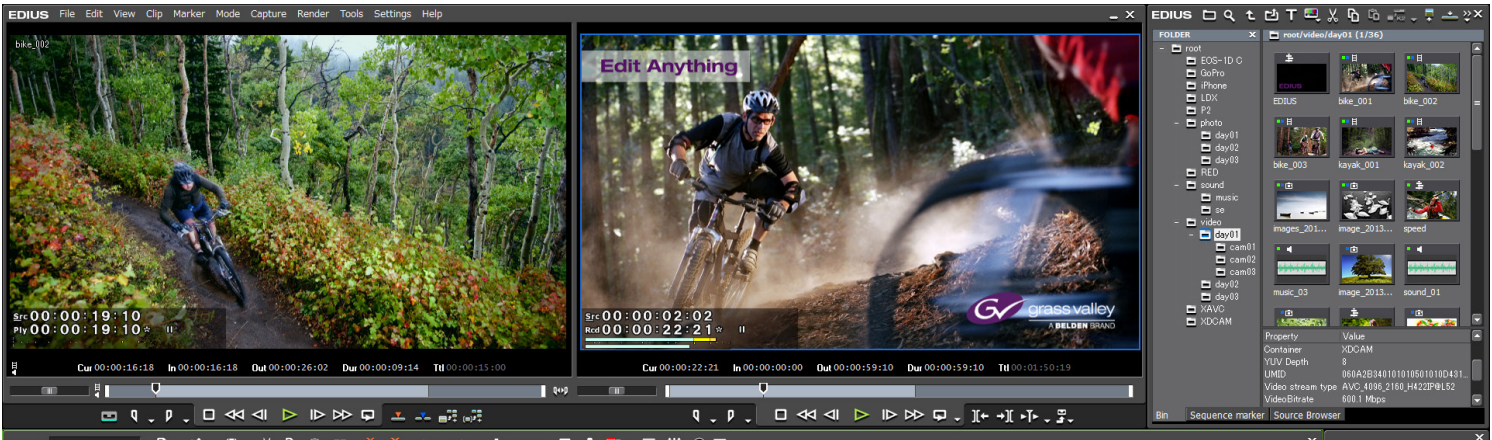


EDIUS XRE

Conform Engine for EDIUS Workgroup



EDIUS XRE (eXternal Rendering Engine) gives users in a workgroup the freedom to spend their time editing — not rendering or conforming — video projects.

EDIUS XRE from Grass Valley, a Belden Brand, is a networked, dedicated workstation that renders files in the background, instantly freeing up your EDIUS Workgroup editing workstation — or workstations — to work on new projects.

Supplied as a complete turnkey system and connected via Ethernet and/or Fibre Channel*, EDIUS XRE performs the dual role of **controller** — assigning, managing and, where necessary, re-assigning rendering jobs — and **render engine**, supporting the extensive list of formats and codecs that has made EDIUS such a force in broadcast production.

Requesting a rendering job is as simple as selecting “Print to File” from the EDIUS workstation, the file format preset and the destination server. Once the instruction has been sent to the server, you are free to carry on with a new project, removing delays and unwanted bottlenecks.

Any workstation on the network can check job histories and the progress of current rendering jobs using the XRE Monitor software application supplied. Using XRE Monitor, you can view, pause, restart, cancel and check the properties of any render in the job list.

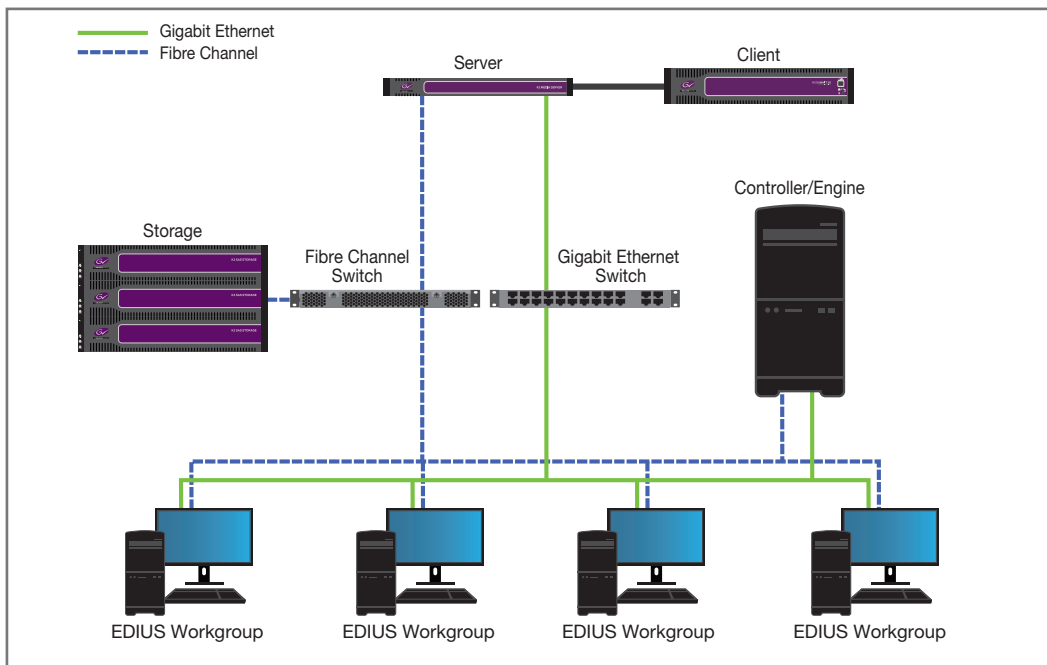
XRE Monitor also has a management mode which allows network administrators to re-prioritize render jobs by moving them up or down the job list.

* If EDIUS XRE is used in a K2 server configuration, Ethernet AND Fibre Channel are required. If EDIUS XRE is deployed in a simple network system, Fibre Channel is not necessary.

EDIUS XRE Conform Engine for EDIUS Workgroup

KEY FEATURES

- Supplied as a complete turnkey system by the Grass Valley reseller
- Works in an EDIUS Workgroup production system
- Multiple users can send jobs to a single EDIUS XRE workstation
- Multiple XRE units can be in the same shared environment
- Background operation – register a job and continue to use EDIUS while exporting to XRE
- Easy-to-use, intuitive GUI for job registration and priority management
- Current job(s) can be suspended or cancelled to allow higher priority jobs to be conformed
- Supports XDCAM, XAVC, XAVC S, AVC-Intra, AVC-Ultra, MXF, CMF and Grass Valley HQX



Export Format List

Note: EDIUS Workgroup 8.1 or above is required.

Format or Container	Codec	Extension
AVCHD		*.m2ts
AVCHD 3D		*.m2ts
AVI	DV	*.avi
	DVCPRO 50	
	DVCPRO HD	
	Grass Valley HQ	
	Grass Valley HQX	
	Grass Valley Lossless	
	Uncompressed	
Blu-ray	H.264/AVC	*m2ts
Blu-ray 3D	H.264/AVC	*m2ts
DVD	MPEG-2	—
Flash Video	H.264/AVC	*.f4v
GF	MPEG-2 I-frame only	*.xml / *.mxf
	MPEG-2 Long GOP	
	DV	
	DVCPRO 25	
	DVCPRO 50	
	SD	
H.264/AVC	H.264/AVC	*.mp4
HDV	MPEG-2 Transport Stream	*.m2t

Export Format List (cont.)

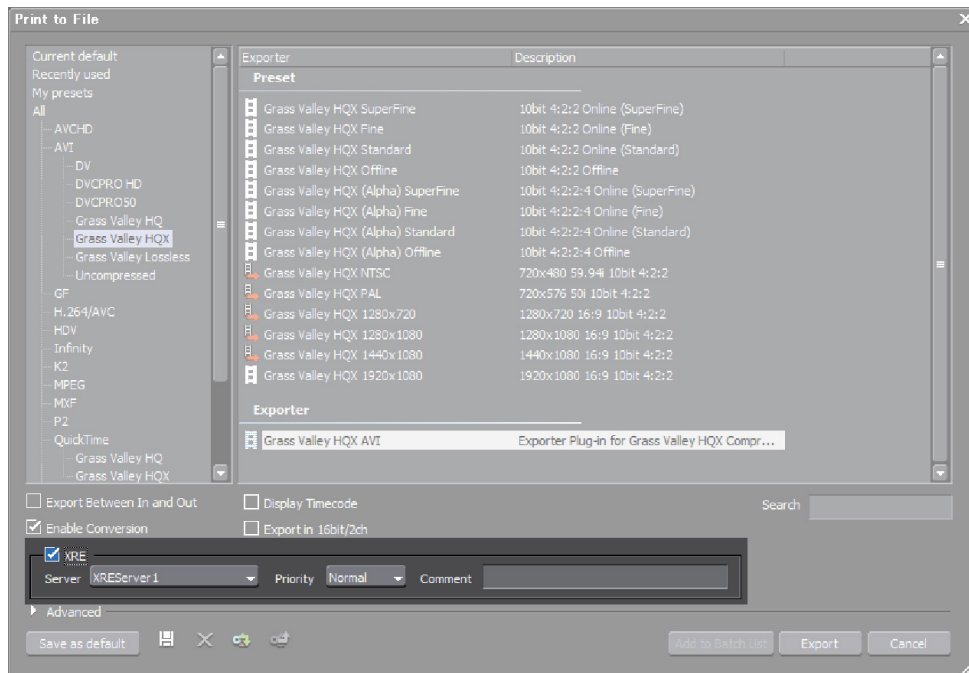
Format or Container	Codec	Extension	
Infinity	DV	*.xml / *.mxf	
	JPEG 2000		
	D10		
	MPEG		
iPod/iPad	H.264/AVC	*.mp4	
K2 (CMF)*1	AVC-Intra 50		
	AVC-Intra 100		
	AVC-LongG		
	AVCHD		
	D10		
	DNxHD		
	DV		
	DVCPRO HD		
	MPEG-2		
	AVC-Intra		*.GXF
	AVC-LongG		
D10			
DNxHD			
DV			
DVCPRO 25			
DVCPRO 50			
DVCPRO HD			
JPEG 2000			
MPEG-2			
MPEG-2 Elementary Stream	MPEG-2	*.m2v	
MPEG-2 Program Stream	MPEG-2	*.mpg / *.m2p	
MP4	H.264/AVC	*.mp4	
MXF	AVC-Intra 50	*.mxf	
	AVC-Intra 100		
	AVC-Intra 200		
	AVC-LongG		
	D10		
	DV		
	DNxHD		
	DVCPRO 25		
	DVCPRO 50		
	DVCPRO HD		
	Grass Valley HQ		
	Grass Valley HQX		
	JPEG 2000		
MPEG-2	*.xml + *.mxf		
AVC-Intra 50			
AVC-Intra 100			
AVC-LongG			
DV			
DVCPRO 25			
DVCPRO 50			
DVCPRO HD			

*1 When exporting from EDIUS Workgroup only.

Export Format List (cont.)

Format or Container	Codec	Extension
P2 3D	AVC-Intra 50	*.xml / *.mxf
	AVC-Intra 100	
Panasonic AG-3DA1	AVCHD	*.m2ts
PlayStation	H.264/AVC	*.mp4
QuickTime*2	Grass Valley HQ	*.mov
	Grass Valley HQX	
Windows Media		*.wmv
XAVC	XAVC-Intra	*.xml / *.mxf
	XAVC Long GOP	*.xml / *.mxf
	XAVC S	*.xml / *.mp4
XDCAM	DVCAM	*.xml / *.mxf
	MPEG IMX	
	MPEG HD	
	MPEG HD422	
XDCAM EX	DVCAM	*.xml / *.mp4
	MPEG HD	
XDCAM EX 3D	MPEG HD	*.xml / *.mp4

*2 Codecs other than Grass Valley HQ/HQX will vary according to configuration.



SPECIFICATIONS & ORDERING

EDIUS XRE systems are sold as custom, turnkey systems through Grass Valley resellers.



WWW.GRASSVALLEY.COM

Join the Conversation at **GrassValleyLive** on Facebook, Twitter, YouTube and **Grass Valley - A Belden Brand** on LinkedIn.



Belden, Belden Sending All The Right Signals and the Belden logo are trademarks or registered trademarks of Belden Inc. or its affiliated companies in the United States and other jurisdictions. Grass Valley and EDIUS are trademarks or registered trademarks of Grass Valley, Belden Inc., Grass Valley and other parties may also have trademark rights in other terms used herein.

Copyright © 2015 Grass Valley. All rights reserved. Specifications subject to change without notice.