

# 40-LED & 32-LCD Series

## 1 RU Shallow Depth, DC Powered Control Panels

For use with Sirius 800, Vega, Pyxis, and MV-825.

The 40-LED and 32-LCD range of shallow panels from Grass Valley has been designed to meet the exacting requirements for hardware control panels used in simple or complex routing systems.

All panels are configured using proprietary RollCall software launched from a PC via an applet addressed from a PC web browser, or via the Grass Valley RollCall Control Panel.

The range consists of two 1 RU panels (one LED and one LCD). Both can be configured for X-Y or BPX operational modes.

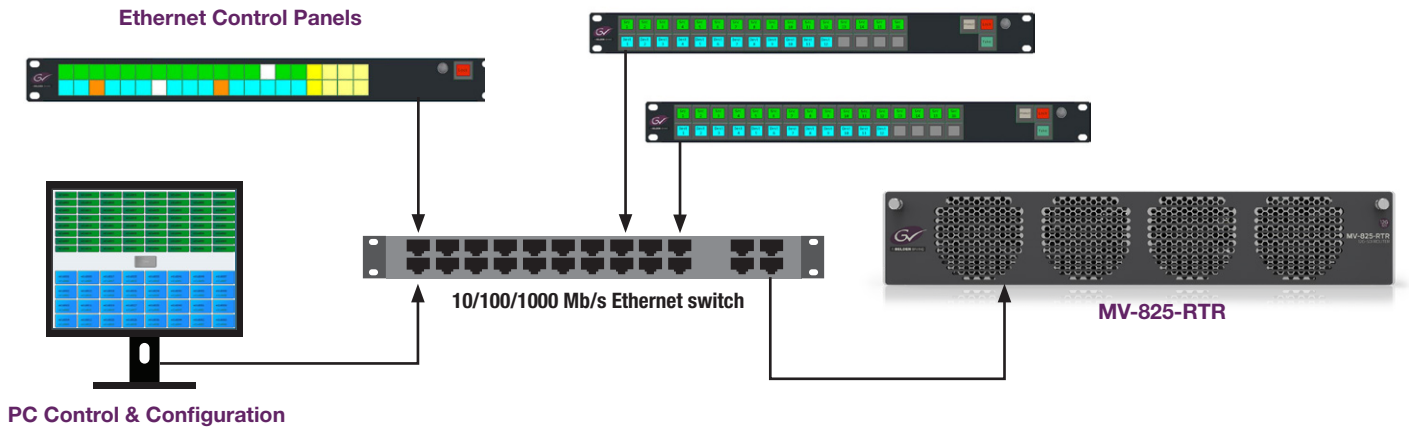
RC shallow panels are independently configured over an IP network. A configuration file can be stored and copied to other panels (of the same type), or indeed loaded to a new panel when exchanging a faulty unit.



40-Key LED X-Y/BPX — 1RU40LED-BK-K



32-Key LCD X-Y/BPX + Rotary Control Knob — 1RU32LCDBK-K



## KEY FEATURES

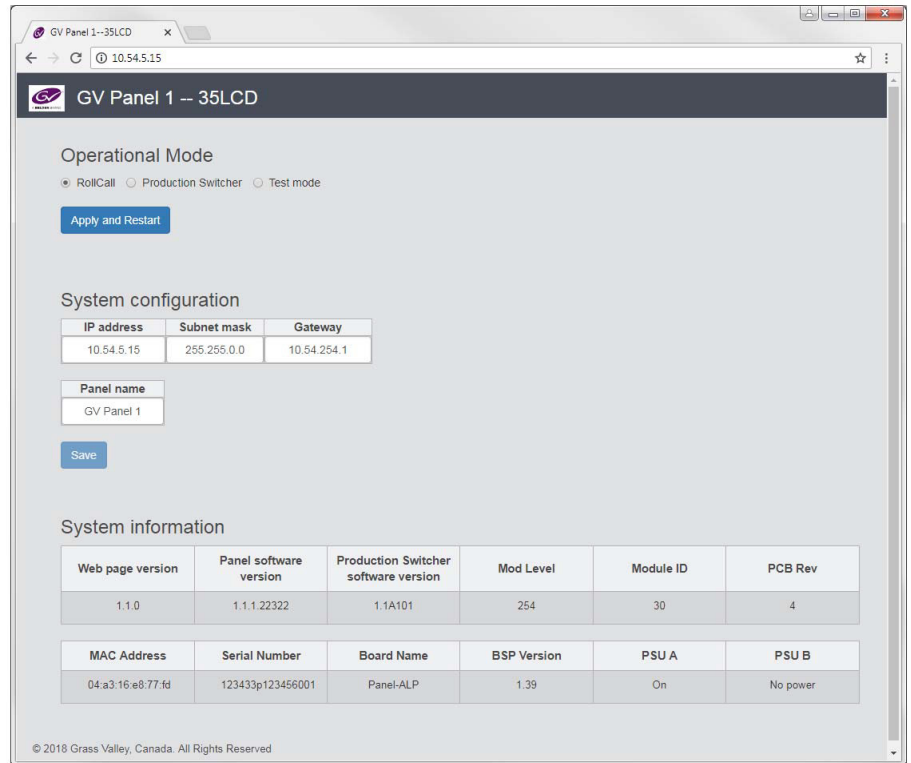
- Lightweight ergonomic design
- Rack mounting depth of 39 mm (1.5")
- Fast Ethernet connection to router
- Independent key allocation
- Programmable key color backlights
- Independent source and destination up/down paging keys
- Rotary control paging on LCD type
- LCD text options
- Dual 12V DC inputs with external converter(s) for mains supply

## Configuration via Web Browser

Configuration of RC panels is implemented via a PC web browser. The panel configuration page will launch on entering a default IP address. This can be used to enter test mode or change configuration from RollCall to Production Switcher.

The panel address can be changed to your system requirements from the main configuration panel and the IP address of the router entered. Facility also exists to upgrade the panel configuration software over the internet should additional features be added. A set of intuitive menus allows you to custom build the panel layout to your specific needs. Once the layout has been determined, source and destination keys can be mapped to the appropriate ports on the router. For LCD panels, porting of source and destination names is automatic as soon as connection is established with the router controller. Changes to the panel configuration can be made while a system is operational by reactivating the applet.

Both control panels are compatible with Nucleus2 (246x) controllers as used in the Sirius 800 range of routers. They are also the recommended panel types for use with the Vega Asymmetric router and MV-825-RTR Multiviewer router (see example system on the previous page). Connection to a router for all RC panel types is IP Ethernet only (either directly or via a switch) over standard CAT5e/6e cabling using RJ45 connectors. Both panels feature dual 12V DC inputs with external converters for mains supply.



## Fully Flexible Source/Destination Key Positioning

RC panels provide free-form key function and positioning, enabling all keys to be independently configured as source (SRC), destination (DST) or paging keys (optional). Panels not requiring paging can use the additional keys as SRC or DST.

## Fixed Keys & Rotary Encoder Switch (LCD only)

Positions of the Protect, Lock and Take keys (or buttons) are fixed. If either or both the Protect and Take keys are disabled during configuration, they will not display. Backlight illumination of the Lock/Unlock key can be configured as Red, Green or Amber for either status.

The LCD panel includes a Rotary Encoder Switch, for paging as an alternative to (or in conjunction with) the Page Up and Page Down keys. Pressing the rotary encoder swaps its operating mode between source and destination paging.

## Paging — Optional Page Up, Page Down and/or Page Mode Keys

Optional keys that can be used with or without the Page Up and Page Down keys are the SRC Page and DST Page keys. On pressing the SRC Page key, for instance, all the displayed SRC keys will change to display an array of dedicated page keys. On selecting a new page the display will revert to the new set of SRC keys associated with that page.

The number of pages (and their names) can be set during configuration. Each page can be compiled from any of the router sources and in any order. Individual sources can appear multiple times on different pages. The equivalent is true for destination pages.

## Button per Crosspoint (BPX) Operation

Both panels can be configured for X-Y or BPX (Button per Crosspoint) modes of operation. In BPX mode, each key can be individually assigned to a destination allowing either full panel schemes or any combination and number of Split BPX configurations.

## Other Panel Features

### Custom Key Color and Brightness

All keys/buttons are backlit with RGB LEDs (LED & LCD panels). During configuration the color and brightness for each functional key type and state can be customized depending on user preference. Alternatively, factory preset value can be selected for each key type.

### Illumination of Blank Keys and Text Insertion on LCD

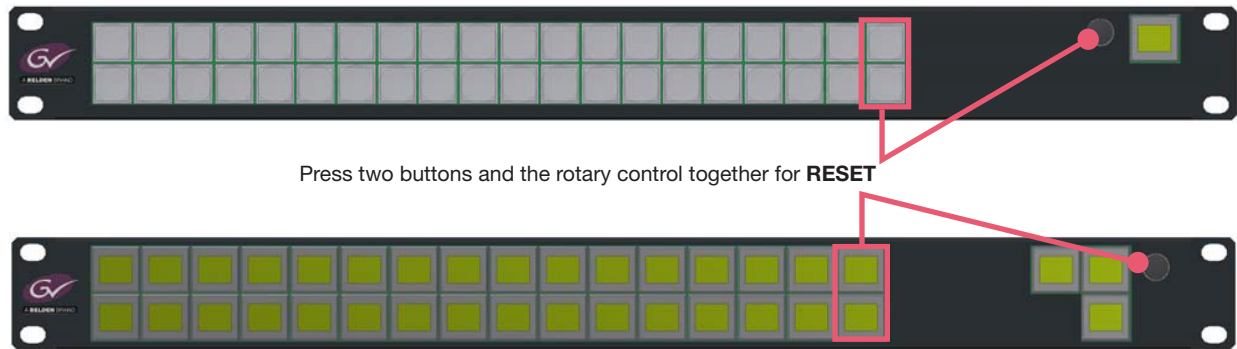
Assigned but unused keys can remain illuminated. Key color and brightness can be customized (as above) and LCD keys may include custom text

### Ethernet Control Physical Layer:

- Ethernet Standards: 10/100/1000Base-T Mb/s
- Protocol: TCP-IP
- Connector: RJ45 (x1)

### Resets:

- Panel Reset: front panel by pressing three controls at the same time for more than 3 seconds. Rear by pressing 'reset' button
- Factory reset: Rear by pressing 'factory reset' button



RJ45 Ethernet connector

Two DC Power Inlet DC Jacks (threaded)



**SPECIFICATIONS****Physical****Rack mounting height**

1 RU, 19 inch rack

**Dimensions (W x H x D)**

483 x 43.6 x 56 mm (19 x 1.72 x 2.19 in.)

**Weight**

1.0 kg (2.2 lbs.)

**Electrical****Power consumption**

24 W max.

**Connector**

2-off DC Power Jacks, center pin is positive. ("PSU1" and "PSU2" on unit rear)

**Voltage**"PSU1": +12 V DC, 2.0 A max.  
"PSU2": +12 V DC, 2.0 A max.**Environmental****Operating temperature**

0 to +40°C (32 to 104°F)

**Storage temperature**

-20 to +80°C (-4 to 176°F)

**Relative humidity**

5% to 95% non-condensing

**Compliance****EMC – Emissions**

EN55103-1 (EU), FCC Part 15 (USA)

**EMC – Immunity Safety**

EN55103-2 (EU) EN60950 (EU), UL1419 (USA)

**Hazardous Material**

RoHS-6 (UK) – Complies with EU Directive

**ORDERING****1RU32LCDBK-K**

32-Key LCD X-Y/BPX + Rotary Control Knob

**1RU40LED-BK-K**

40-Key LED X-Y/BPX

**INSY-PSU-EXT**

External AC mains adapter. Single unit supplied with panel. (Additional unit must be ordered if dual redundant operation is required).

**WWW.GRASSVALLEY.COM**Join the Conversation at **GrassValleyLive** on Facebook, Twitter, YouTube and **Grass Valley** on LinkedIn.[www.grassvalley.com/blog](http://www.grassvalley.com/blog)This product may be protected by one or more patents. For further information, please visit: [www.grassvalley.com/patents](http://www.grassvalley.com/patents).

Grass Valley®, GV® and the Grass Valley logo are trademarks or registered trademarks of Grass Valley USA, LLC, or its affiliated companies in the United States and other jurisdictions. Grass Valley products listed above are trademarks or registered trademarks of Grass Valley USA, LLC or its affiliated companies, and other parties may also have trademark rights in other terms used herein.

Copyright © 2021 Grass Valley Canada. All rights reserved. Specifications subject to change without notice.