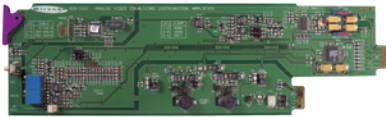
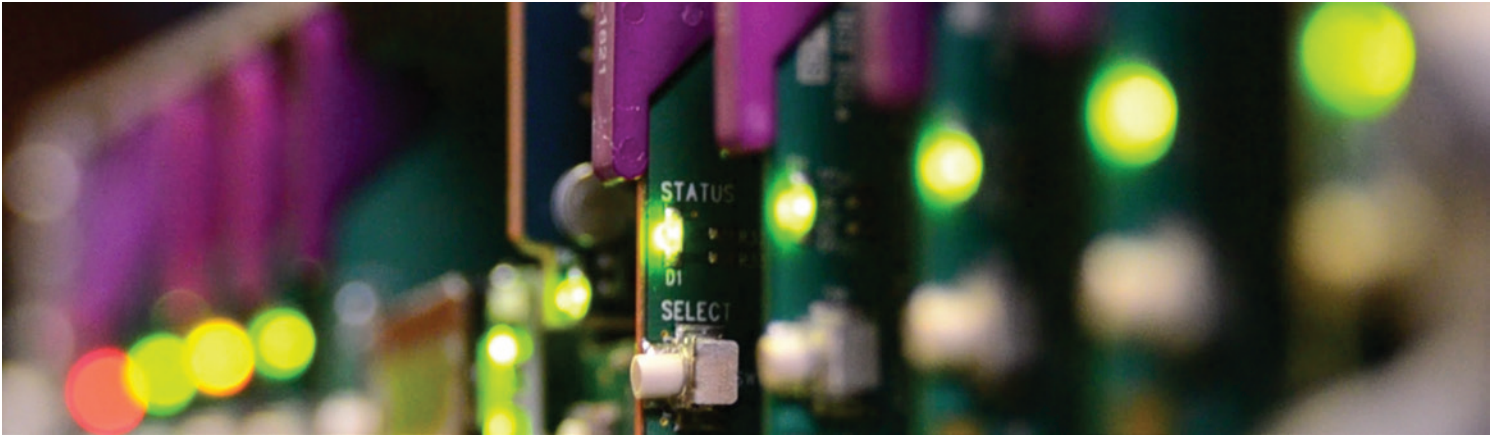


# VEA-1002

Analog Video Distribution Amplifier with EQ



Space-saving, modular platform for advanced signal processing.

The VEA-1002 from Grass Valley, a Belden Brand, is an analog video distribution amplifier with eight outputs, providing equalization and differential input.

The VEA-1002 will equalize up to 300m (984 ft.) of Belden 8281 cable. Gain and equalization are controlled from the card edge.

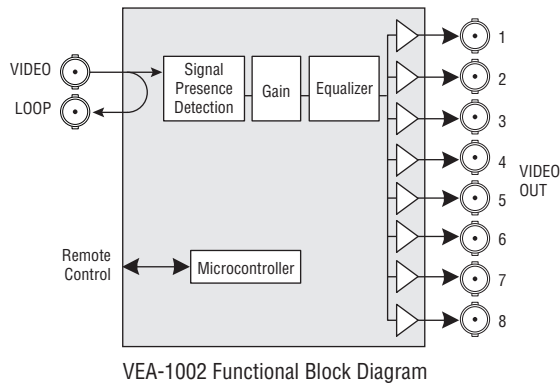
Signal status is provided to indicate the input signal presence. The differential input provides rejection of hum and other artifacts on incoming signals.



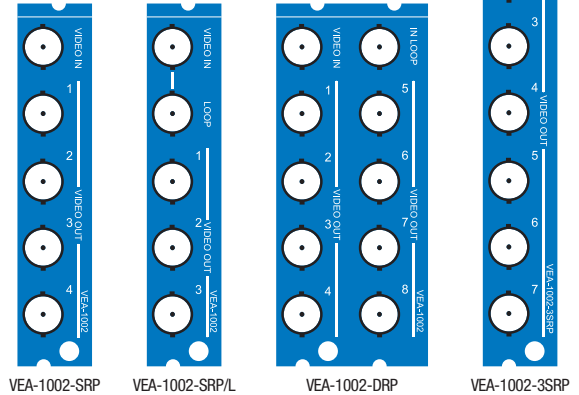
# VEA-1002 Analog Video Distribution Amplifier with EQ

## KEY FEATURES

- Analog video differential input with passive loop-through
- 8x 75 ohm outputs
- Supports NTSC and PAL video standards
- 50 MHz analog video bandwidth
- Equalization up to 300m (984 ft.)
- Control of equalization and gain from the card edge
- Status LED and remote reporting



VEA-1002 Functional Block Diagram



## SPECIFICATIONS

### Input

**Signal:** Any 1 V<sub>p-p</sub> nominal signal  
**Return loss:** >35 dB up to 5.75 MHz  
**Coupling:** DC or AC with clamping  
**Level:** 0.3 to 1.5 V<sub>p-p</sub>  
**Impedance:** 75Ω bridging  
**Max. common mode signal:** 28 V<sub>p-p</sub>  
**Common mode rejection:** >65 dB to 10 kHz

### Output

**Signal (3-8):** 1 V<sub>p-p</sub> nominal signal, adjustable  
**Return loss:** >35 dB up to 5.75 MHz  
**Impedance:** 75Ω  
**Phase match between outputs:** <0.1° at 4.43 MHz  
**Output isolation signal:** >40 dB at 10 MHz  
**Response variation:** <0.1 dB, 1 to 8 loads, to 20 MHz

### Processing Performance

**Gain range:** ±3 dB  
**Freq. response:**  
 ±0.05 dB up to 5 MHz  
 ±0.15 dB up to 10 MHz

**EQ range:** 0-300m (0-984 ft.) using Belden 8281

### EQ response:

<±0.05 dB up to 5 MHz  
 ±0.1 dB up to 10 MHz,  
 -3 dB at 30 MHz typically

**Differential gain:** <0.15%

### Diff. phase:

<0.15° at 8 loads  
 <0.1° at 2 loads

**H/V tilt:** <0.1%, DC coupling

**SNR:** >70 dB up to 15 MHz (rms noise/0.714V, unweighted)

**Chrominance/luminance delay error:** <±1 ns

**Chrominance/luminance gain error:** <±0.02 dB

**Hum:** <1 mV

**Latency:** 5 ns

### Electrical

**Power:**  
 2W (SRP)  
 2.5W (DRP, 3SRP)

## ORDERING

| Densité 2 Frame       | Densité 3 Frame                  | Description                             |
|-----------------------|----------------------------------|---|
| VEA-1002              | VEA-1002-3RU                     | Analog video equalizing DA              |
| VEA-1002-SRP          |                                  | Single rear connector panel with 4 outs |
| VEA-1002-SRP/L        | VEA-1002-SRP/L-3RU               | Single rear connector panel             |
| VEA-1002-DRP          | VEA-1002-DRP-3RU                 | Double rear connector panel             |
|                       | VEA-1002-3SRP                    | Single rear connector panel with 7 outs |
| <b>Remote Control</b> | iControl, iControl Solo, RCP-200 |   |



GVB-1-0422A-EN-DS

WWW.GRASSVALLEY.COM

Join the Conversation at **GrassValleyLive** on Facebook, Twitter, YouTube and **Grass Valley - A Belden Brand** on LinkedIn.



Belden, Belden Sending All The Right Signals and the Belden logo are trademarks or registered trademarks of Belden Inc. or its affiliated companies in the United States and other jurisdictions. Grass Valley, Densité and iControl are trademarks or registered trademarks of Grass Valley, Belden Inc., Grass Valley and other parties may also have trademark rights in other terms used herein.

Copyright © 2014 Grass Valley. All rights reserved. Specifications subject to change without notice.