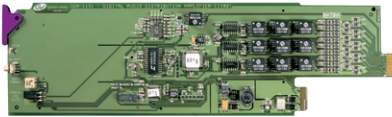
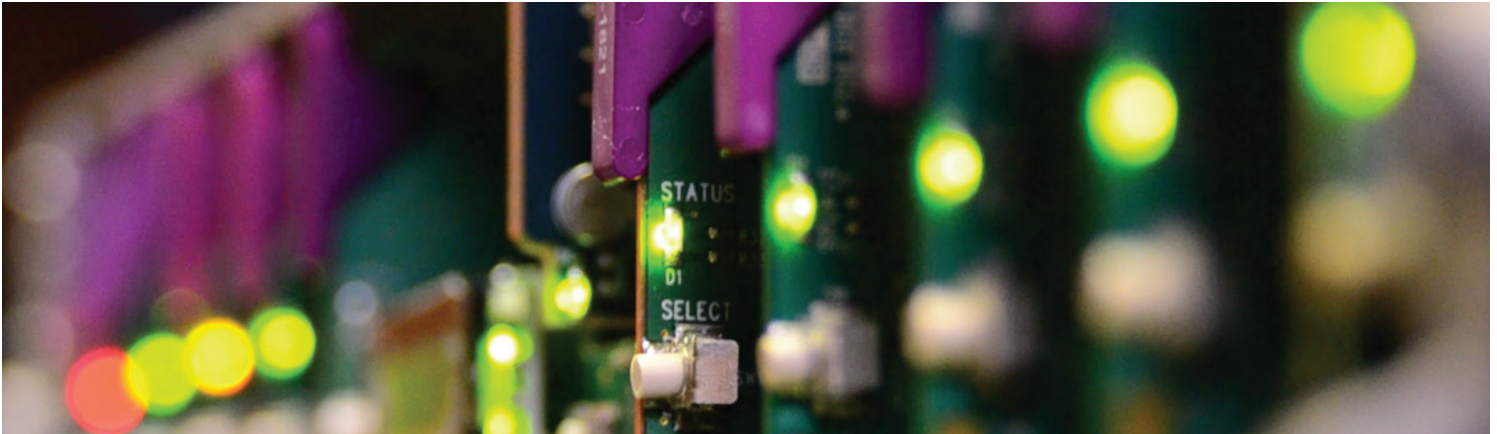


DDA-1133

AES DA (110Ω)

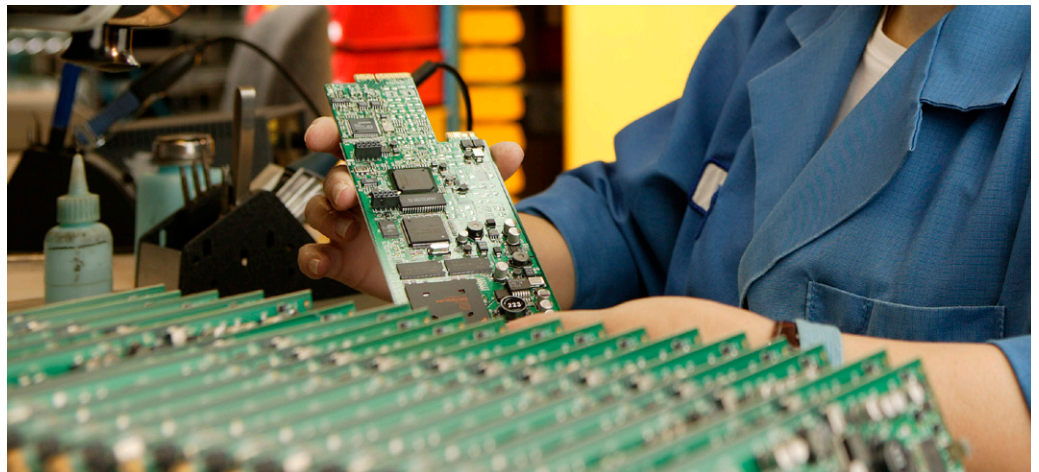


Space-saving, modular platform for advanced signal processing.

The DDA-1133 from Grass Valley, a Belden Brand, is a digital audio DA that supports AES3 110Ω digital audio standard and provides nine outputs.

The input features clock regeneration for reduced jitter and signal restoration.

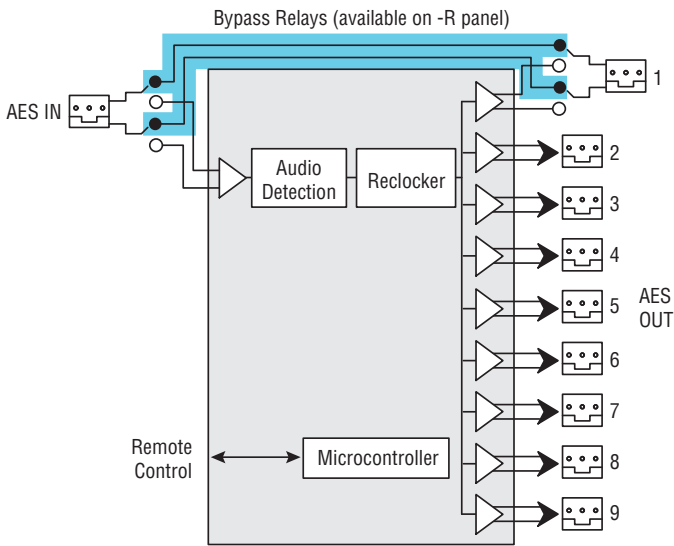
An audio input signal status is also available indicating the input signal presence and validity with remote reporting.



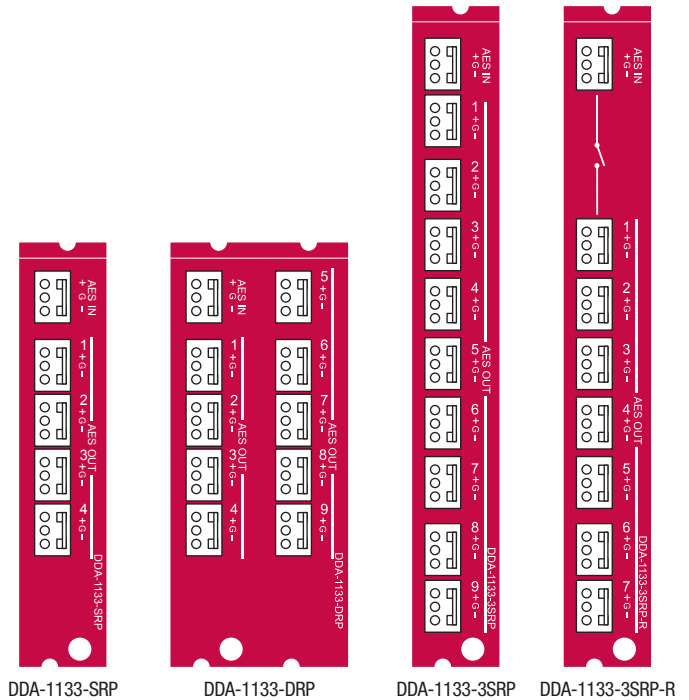
DDA-1133 AES DA (110Ω)

KEY FEATURES

- AES3 balanced audio input
- 9 AES3 balanced audio outputs
- Remote control of carrier quality
- Signal regeneration
- Silence detect with user adjustable delay and remote reporting
- Status LED and remote reporting



DDA-1133 Functional Block Diagram



SPECIFICATIONS

Input

Signal: AES3 (ANSI S4.40)
Level: 0.1 to 7.0 Vp-p
Impedance: 110Ω balanced
Equalization: 0 to 300m (0 to 985 ft.) (DRAKA ref. KFB audio PBG110)

Output

Signal: AES3 (ANSI S4.40)
Level: 4 Vp-p nominal
Impedance: 110Ω balanced
Specific jitter: <0.005 UI p-p (700 Hz to 100 kHz)

Processing Performance

Sampling: 28 to 100 kHz
Processing delay:
 Reclocker ON: <60.7 μs @ 48 kHz (< 3 samples)
 Reclocker OFF: 75 ns typ.

Electrical

Power:
 Using 4 outputs: <1.5W
 Using 7 outputs: <2.0W
 Using 9 outputs: <2.0W

ORDERING

Densité 2 frame	Densité 3 frame	Description
DDA-1133	DDA-1133-3RU	Digital audio DA, 110 ohm
DDA-1133-SRP		Single rear connector panel with 4 outs
DDA-1133-DRP		Double rear connector panel
	DDA-1133-3SRP	Single rear connector panel with 9 outs
	DDA-1133-3SRP-R	Single rear connector panel with 7 outs and bypass relays between IN and OUT1
Remote control	iControl, iControl Solo, RCP-200	



WWW.GRASSVALLEY.COM

Join the Conversation at **GrassValleyLive** on Facebook, Twitter, YouTube and **Grass Valley - A Belden Brand** on LinkedIn.



Belden, Belden Sending All The Right Signals and the Belden logo are trademarks or registered trademarks of Belden Inc. or its affiliated companies in the United States and other jurisdictions. Grass Valley, Densité and iControl are trademarks or registered trademarks of Grass Valley Canada. Belden Inc., Grass Valley Canada and other parties may also have trademark rights in other terms used herein.

Copyright © 2015, 2017 Grass Valley Canada. All rights reserved. Specifications subject to change without notice.

GVB-1-0357D-EN-DS