

DATASHEET

HDA-1931 HDA-3931

Dual 3G/HD/SD SDI Distribution Amplifier (DA) with Optional Fiber Connectivity

Space-saving, modular platform for advanced signal distribution.

The HDA-1931 and HDA-3931 from Grass Valley® are dual 3G/HD/SD SDI video distribution amplifiers (DAs) that support a variety of compressed and uncompressed serial digital video signals.

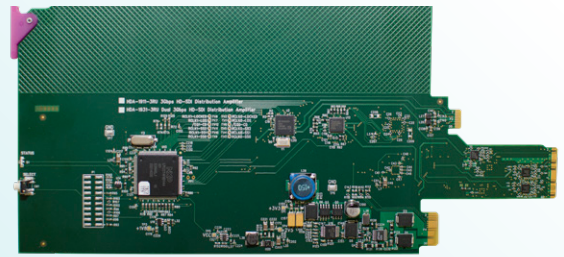
The HDA-1931 and HDA-3931 provide up to eight reclocked outputs with automatic equalization for up to

150 meters (492 feet) of cable using Belden 1694A at 1.5 Gb/s and up to 90 meters (295 feet) at 3 Gb/s.

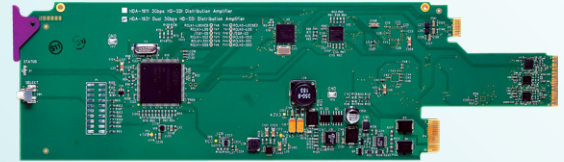
The HDA-1931 and HDA-3931 offer fiber connectivity, making it ideal for longer cable lengths.

The HDA-1931 and HDA-3931 share the same feature set and

specifications, except that HDA-1931 is a 2 RU card built for the Densité® 2 frame while the HDA-3931 is a 3 RU card made for the Densité 3 frame series. Each product has its specific rears as illustrated in the Key Features section and in the ordering information.



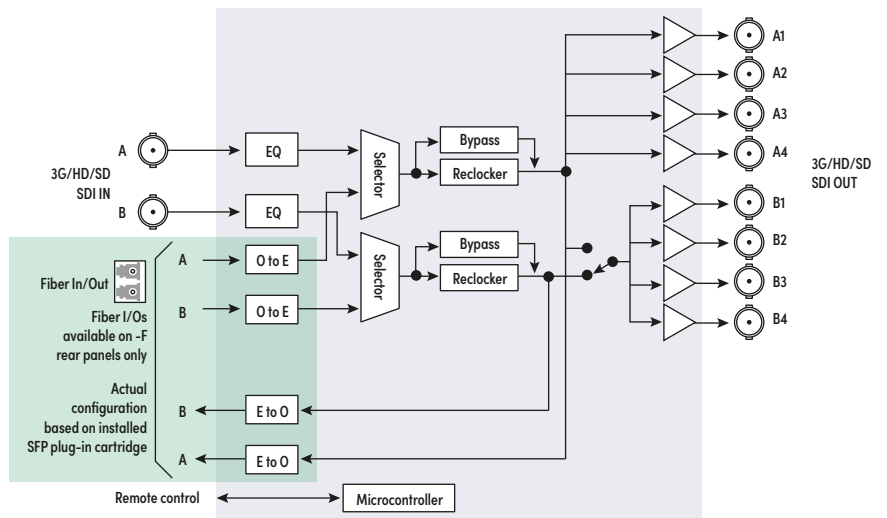
HDA-3931




HDA-1931

Key Features

- Two 3G/HD/SD SDI inputs
- Up to 8 3G/HD/SD SDI outputs
- Supports bit rates all the way up to 3 Gb/s
- Backup input available in single channel mode
- Automatic format detection and cable equalization
- Optional fiber I/O



HDA-1931 Functional Block Diagram

Options
 Optical option: Refer to the ordering info to see different options

