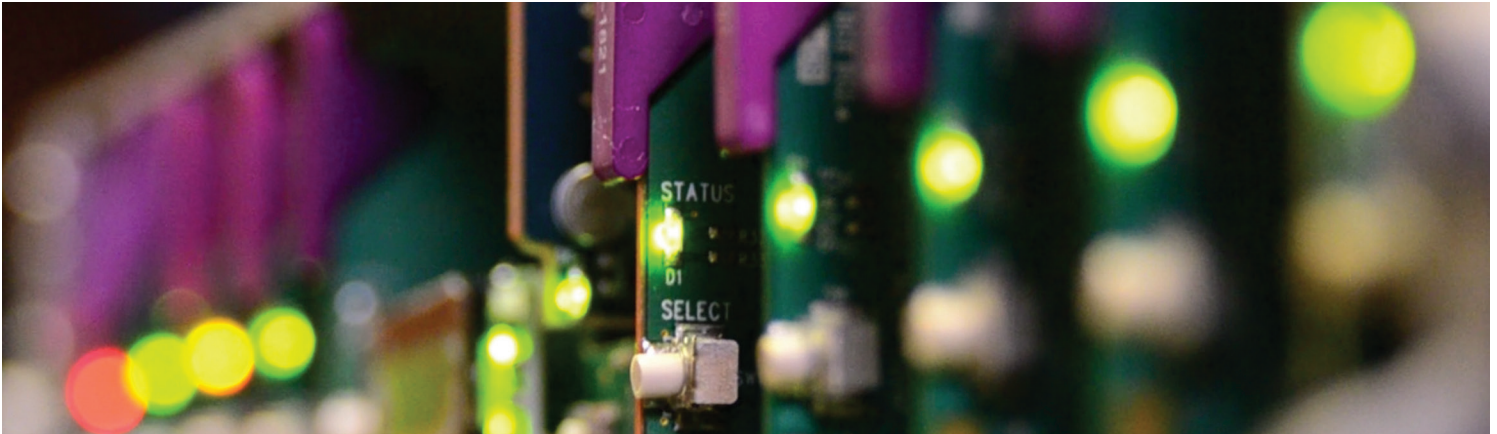


HDA-1851

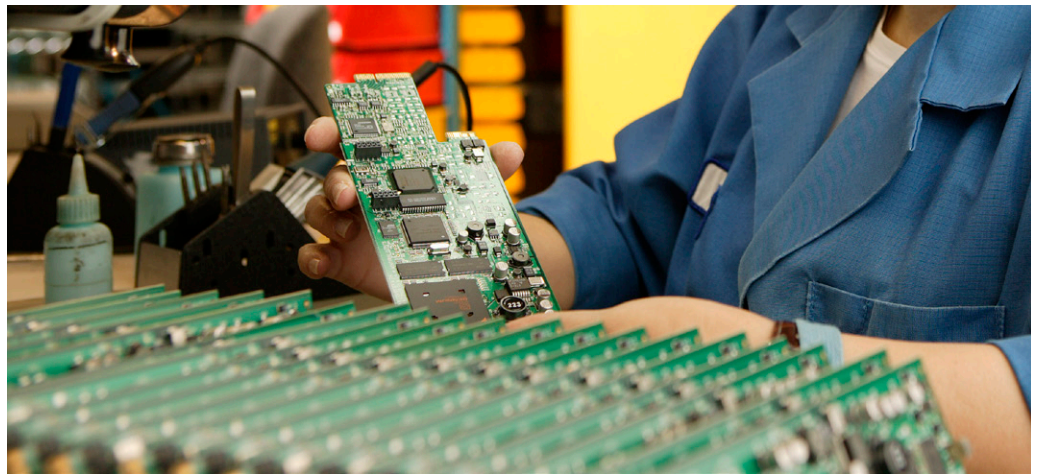
HD/SD/ASI DA with EQ



Space-saving, modular platform for advanced signal processing.

The HDA-1851 from Grass Valley, a Belden Brand, is an HD/SD/ASI DA with up to nine outputs and automatic equalization for up to 140 meters (459 feet) using Belden 1694A.

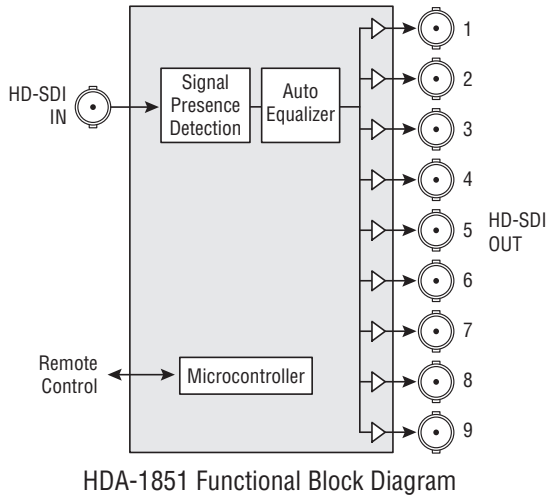
The HDA-1851 DA supports both HD-SDI (SMPTE-292M) and SDI (SMPTE-259M-C). It also offers signal presence detection and remote reporting. The card's multiformat features make it ideal for applications where HD and SD signals may co-exist.



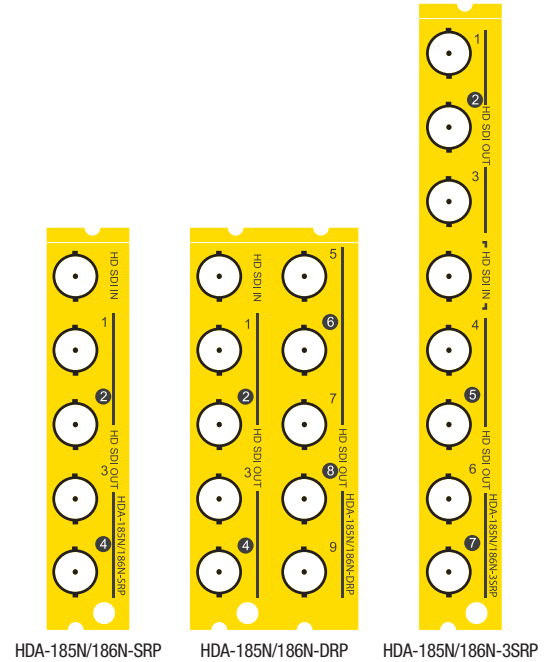
HDA-1851 HD/SD/ASI DA with EQ

KEY FEATURES

- HD-SDI input
- 9 HD-SDI outputs
- Supports HD-SDI (1.485, 1.485/1.001 Gb/s)
- Supports SD-SDI 270 Mb/s (rise/fall time at HD speed only)
- 140m (459 ft.) automatic cable equalization
- Signal presence detection with remote reporting



HDA-1851 Functional Block Diagram



HDA-185N/186N-SRP

HDA-185N/186N-DRP

HDA-185N/186N-3SRP

SPECIFICATIONS

Input

Signal:

SMPTE 292M (1.485, 1.485/1.001 Gb/s)
 SMPTE 259M-C (270 Mb/s)
 EN50 083-9 DVB-ASI (270 Mb/s)
 SMPTE 310M/DVB-SSI

Cable length:

HD: 140m (459 ft.) Belden 1694A
 SD: 300m (984 ft.) Belden 1694A

Return loss: >15 dB up to 1.5 GHz

Output

Signal:

SMPTE 292M (1.485, 1.485/1.001 Gb/s)
 SMPTE 259M-C (270 Mb/s), rise/fall time at HD speed only)

Return loss: >15 dB up to 1.5 GHz

Jitter: <0.2 UI p-p (wideband)

Processing Performance

Signal path: 10 bits

Latency: 3 ns

Electrical

Power: 2W

ORDERING

Densité 2 frame

HDA-1851
 HDA-185N/186N-SRP
 HDA-185N/186N-DRP

Densité 3 frame

HDA-1851-3RU
 HDA-185N/186N-DRP-3RU
 HDA-185N/186N-3SRP

Description

HD/SD/ASI DA with EQ
 Single rear connector panel with 4 outs
 Double rear connector panel
 Single rear connector panel with 7 outs

Remote control

iControl, iControl Solo, RCP-200



GVB-1-0386B-EN-DS

WWW.GRASSVALLEY.COM

Join the Conversation at **GrassValleyLive** on Facebook, Twitter, YouTube and **Grass Valley - A Belden Brand** on LinkedIn.



Belden, Belden Sending All The Right Signals and the Belden logo are trademarks or registered trademarks of Belden Inc. or its affiliated companies in the United States and other jurisdictions. Grass Valley, Densité and iControl are trademarks or registered trademarks of Grass Valley, Belden Inc., Grass Valley and other parties may also have trademark rights in other terms used herein.

Copyright © 2015 Grass Valley. All rights reserved. Specifications subject to change without notice.