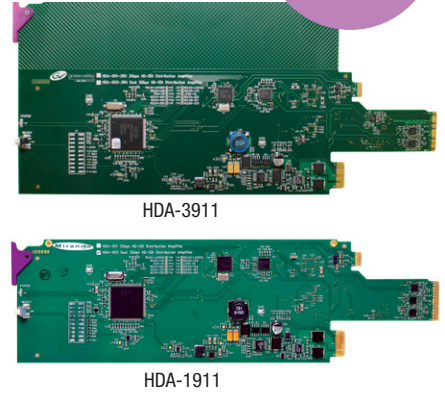


# HDA-1911 HDA-3911



## 3G/HD/SD SDI Distribution Amplifier (DA) with Optional Fiber Connectivity

Space-saving, modular platform for advanced signal distribution.

The HDA-1911 and HDA-3911 from Grass Valley are 3G/HD/SD SDI video distribution amplifiers (DAs) that support a variety of compressed and uncompressed serial digital video signals.

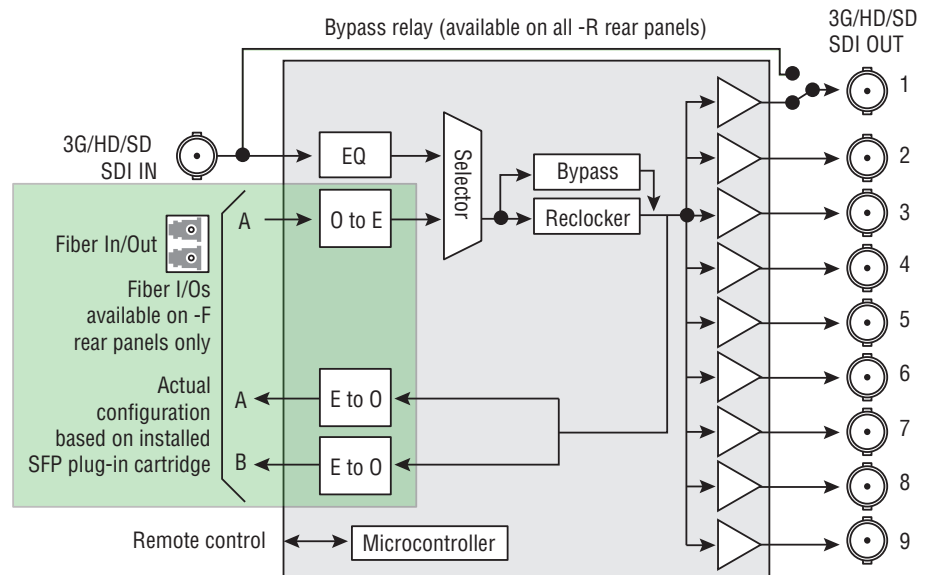
The HDA-1911 and HDA-3911 provide up to nine reclocked outputs with automatic equalization for up to 200 meters (656 feet) of cable using Belden 1694A at 1.5 Gb/s and up to 100 meters (328 feet) at 3 Gb/s.

The HDA-1911 and HDA-3911 offer fiber connectivity, making it ideal for longer cable lengths. Critical applications protection is provided by a protection bypass relay available on selected rears.

The HDA-1911 and HDA-3911 share the same feature set and specifications, except that HDA-1911 is a 2 RU card built for the Densité 2 frame while the HDA-3911 is a 3 RU card made for the Densité 3 frame series. Each product has its specific rears as illustrated in the Key Features section and in the ordering information.

### KEY FEATURES

- 3G/HD/SD SDI input
- Up to 9 3G/HD/SD SDI outputs
- Supports bit rates all the way up to 3 Gb/s
- Automatic format detection and cable equalization
- Optional fiber I/O



HDA-1911 / HDA-3911 Functional Block Diagram

Options  Optical option: Refer to the ordering info to see different options

**SPECIFICATIONS**

**Electrical Input**

**Signal:**  
 3G/HD/SD SDI SMPTE ST 424, 292, and 259-C compliant  
 Supports data rates of 270, 1483.5, 1485, 2967, 2970 Mb/s  
 EN50 83-9 DVB-ASI 270 Mb/s

**Cable length\* (Belden 1694A):**

3G: 100m (328 ft.) at 3 Gb/s  
 HD: 200m (656 ft.) at 1.5 Gb/s  
 SD: 400m (1,312 ft.) at 270 Mb/s

**Return loss\*:**

>15 dB for up to 1.5 GHz  
 >10 dB from 1.5 GHz to 3 GHz

**Electrical Outputs (9)**

**Signal:**  
 3G/HD/SD SDI SMPTE ST 424, 292, and 259-C compliant  
 Supports data rates of 270, 1483.5, 1485, 2967, 2970 Mb/s  
 EN50 83-9 DVB-ASI 270 Mb/s (5 outputs only)

**Return loss:**

>15 dB up to 1.5 GHz  
 >10 dB from 1.5 GHz to 3 GHz

**Jitter (wideband):**

HD/SD: <0.2 UI  
 3G: <0.3 UI

**Rise / fall time:**

135 ps max., 20% to 80%, for HD  
 400 – 800 ps, 20% to 80%, for SD

**Processing Performance**

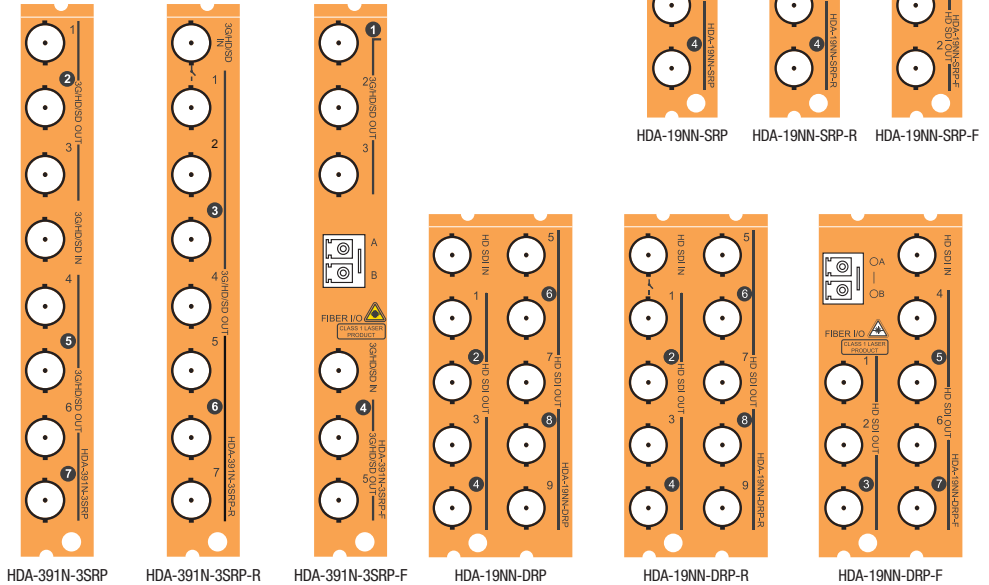
**Signal path:** 10 bits

**Latency:** <6 ns

**Electrical**

**Power:** 5W

\* Cable length and return loss specifications will be reduced when using the output protected by the bypass relay on HDA-19NN-SRP-R, HDA-19NN-DRP-R rears and HDA-391N-3SRP-R. Refer to the manual for more details.



Note: Numbered outputs marked with black circles are not suitable for DVB-ASI distribution.

**ORDERING**

Densité 2 frame	Densité 3 frame	Description	Densité 2 frame	Densité 3 frame	Description
HDA-1911	HDA-3911	3G/HD/SD distribution amplifier with EQ and reclocking		HDA-391N-3SRP-F	Single rear connector panel for single 1x5 operation mode with fiber option support
HDA-19NN-SRP		Single rear connector panel to be used in single 1x4 operation mode		HDA-391N-3SRP-R	Single rear connector panel for single 1x7 operation mode with bypass protection relay
HDA-19NN-SRP-R		Single rear connector panel to be used in single 1x4 operation mode with bypass protection relay			
HDA-19NN-SRP-F		Single rear connector panel to be used in single 1x2 operation mode with fiber option support			
HDA-19NN-DRP	HDA-19NN-DRP-3RU	Double rear connector panel to be used in single 1x9 operation mode	<b>Fiber options</b>	<b>Description</b>	
HDA-19NN-DRP-R	HDA-19NN-DRP-R-3RU	Double rear connector panel to be used in single 1x9 operation mode with bypass protection relay	SFP-R-LC	Single fiber RX (input) cartridge with LC/PC connector	
HDA-19NN-DRP-F	HDA-19NN-DRP-F-3RU	Double rear connector panel to be used in single 1x7 operation mode with fiber option support	SFP-T-S13-LC	Single fiber TX (output) cartridge at 1310 nm with LC/PC connector	
	HDA-391N-3SRP	Single rear connector panel to be used in single 1x7 operation mode	SFP-RT-S13-LC	Dual fiber Rx/Tx (input/output) cartridge 1310 nm with LC/PC connector	
					Note: This product can also make use of SFP Optical Plug-in Cartridges from the WDM and CWDM series. Other types of SFP Optical Plug-In Cartridges may be available for this product.
			<b>Remote control</b>	iControl, iControl Solo	



WWW.GRASSVALLEY.COM

Join the Conversation at **GrassValleyLive** on Facebook, Twitter, YouTube and **Grass Valley** on LinkedIn.



www.grassvalley.com/blog

This product may be protected by one or more patents. For further information, please visit: [www.grassvalley.com/patents](http://www.grassvalley.com/patents).

Grass Valley®, GV® and the Grass Valley logo are trademarks or registered trademarks of Grass Valley USA, LLC, or its affiliated companies in the United States and other jurisdictions. Grass Valley products listed above are trademarks or registered trademarks of Grass Valley USA, LLC or its affiliated companies, and other parties may also have trademark rights in other terms used herein.

Copyright © 2015-2020 Grass Valley Canada. All rights reserved. Specifications subject to change without notice.