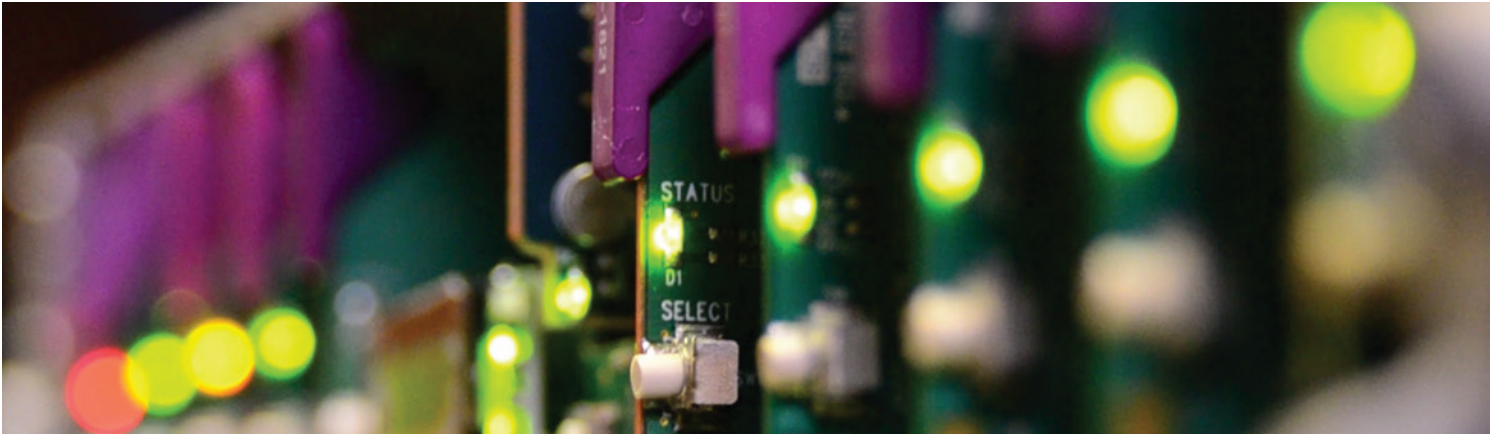


SPG-1801

Sync Pulse Generator

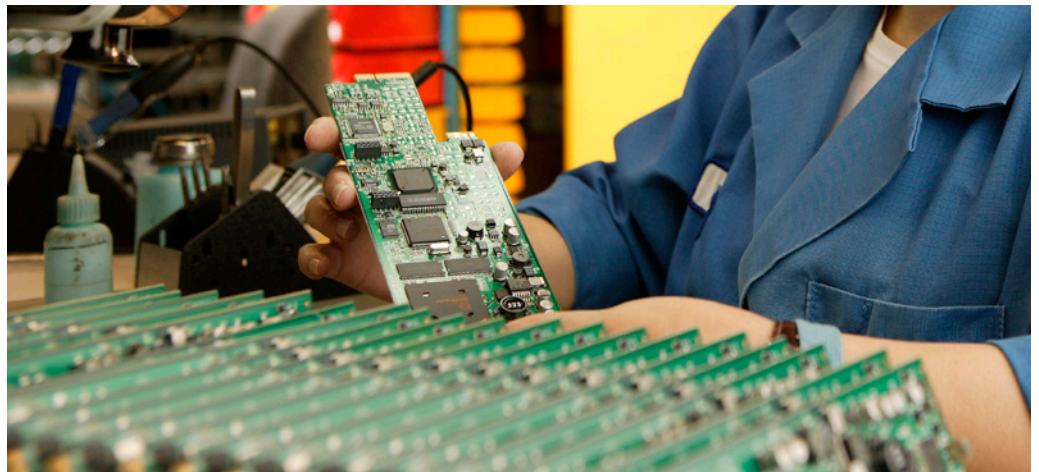


Space-saving, modular platform for advanced signal processing.

The Densité Series SPG-1801 from Grass Valley, a Belden Brand, is a sync pulse generator card. It accepts an external reference input or a digital universal reference signal (URS) from the frame reference module REF-1801, if present. It features two fully independent outputs, with user selectable output format (blackburst, tri-level sync, DARS, Word Clock) and user configurable pixel by pixel output timing adjustment.

The SPG-1801 can lock on a blackburst or a tri-level sync signal. The output signal can be video (blackburst, tri-level sync) or audio (Word Clock, DARS). In the case of an audio output, the SPG-1801 can also lock on an external DARS or Word Clock.

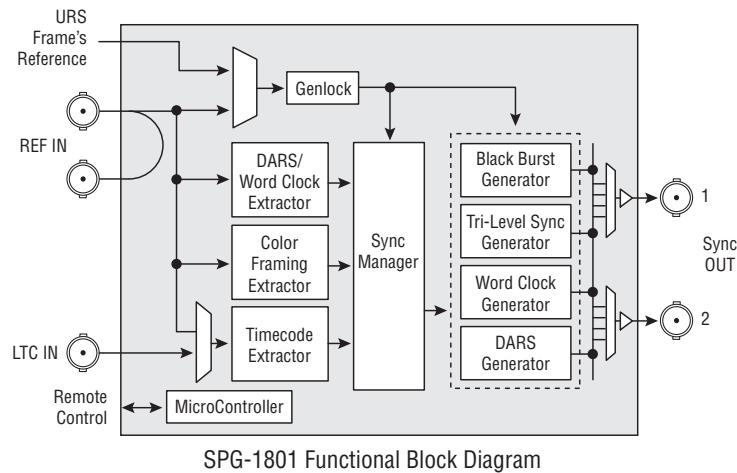
The SPG-1801 is the ideal solution for generating multiformat synchronization signals that can be used in broadcast or production facilities. The combination of several SPG-1801 sync pulse generator cards and one REF-1801 frame reference module can transform the Densité frame into a highly-integrated solution for multisync generation and distribution.



SPG-1801 Sync Pulse Generator

KEY FEATURES

- Up to 20 cards per frame
- Reference input
 - External: blackburst, tri-level sync, DARS, Word Clock
 - Internal (with a REF-1801 card): Universal Reference Signal (URS)
- Two fully independent sync outputs
 - Audio or video
 - Selectable format
 - Support for blackburst, tri-level sync, DARS, Word Clock
 - Timing adjustment: up to 1 frame, pixel by pixel
- Easy control and monitoring



SPG-1801-SRP

SPECIFICATIONS

Genlock Input

Load: Passive Loop-through
Impedance: 75Ω bridging
Return loss: >30 dB up to 30 MHz
Signal type: Composite NTSC-M, PAL-B blackburst with optional VITC
Standard: SMPTE-170M, ITU-R BT.1700-1, SMPTE-318M
Signal level: 1 Vp-p
Signal type: HD tri-level sync
Standard: SMPTE-274M, SMPTE-296M
Signal level: 600 mVp-p
Signal type: DARS AES-3id
Standard: SMPTE-276M
Signal level: 1 Vp-p

Signal type:

Word Clock
 Standard: AES11-2003
 Signal level: 2.3 Vp-p

Urs Input (from REF-1801)

Signal type: URS4D — Universal Reference Signal
Standard: Grass Valley proprietary

LTC-In

Connector: BNC per IEC 60169-8 amendment 2
Signal type: LTC
Standard: SMPTE-12M
Signal level: 0.5 Vp-p to 4.5 Vp-p

Analog Reference Output

Signal type: Composite NTSC-M, PAL-B with optional VITC
Standard: SMPTE-170M, ITU-R BT.1700-1, SMPTE-318M
Signal level: 1 Vp-p
Signal type: HD tri-level sync
Standard: SMPTE-274M, SMPTE-296M
Signal level: 600 mVp-p
Signal type: DARS AES-3id
Standard: SMPTE-276M
Signal level: 1 Vp-p
Signal type: Word Clock
Standard: AES11-2003
Signal level: 2.3 Vp-p

No Reference

Format 525: Min.: 18.296 µs
Adjustment: +2 frames
Format 625: Min.: 18.296 µs
Adjustment: +2 frames

Electrical

Power: 3.5W



ORDERING

Densité 2 Frame	Densité 3 Frame	Description
SPG-1801	SPG-1801-3RU	Sync pulse generator
SPG-1801-SRP	SPG-1801-SRP-3RU	Single rear connector panel
Remote Control	iControl, iControl Solo, RCP-200	



WWW.GRASSVALLEY.COM

Join the Conversation at **GrassValleyLive** on Facebook, Twitter, YouTube and **Grass Valley - A Belden Brand** on LinkedIn.



Belden, Belden Sending All The Right Signals and the Belden logo are trademarks or registered trademarks of Belden Inc. or its affiliated companies in the United States and other jurisdictions. Grass Valley, Densité and iControl are trademarks or registered trademarks of Grass Valley, Belden Inc., Grass Valley and other parties may also have trademark rights in other terms used herein.

Copyright © 2014 Grass Valley. All rights reserved. Specifications subject to change without notice.

GVB-1-0419A-EN-DS