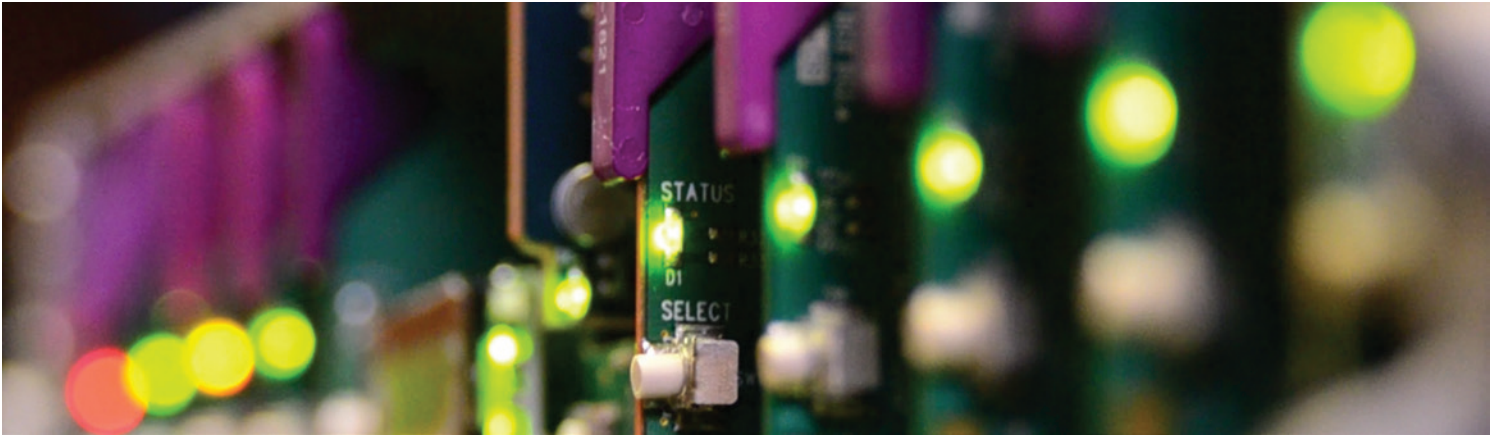


GPI-1501

GPI I/O Module



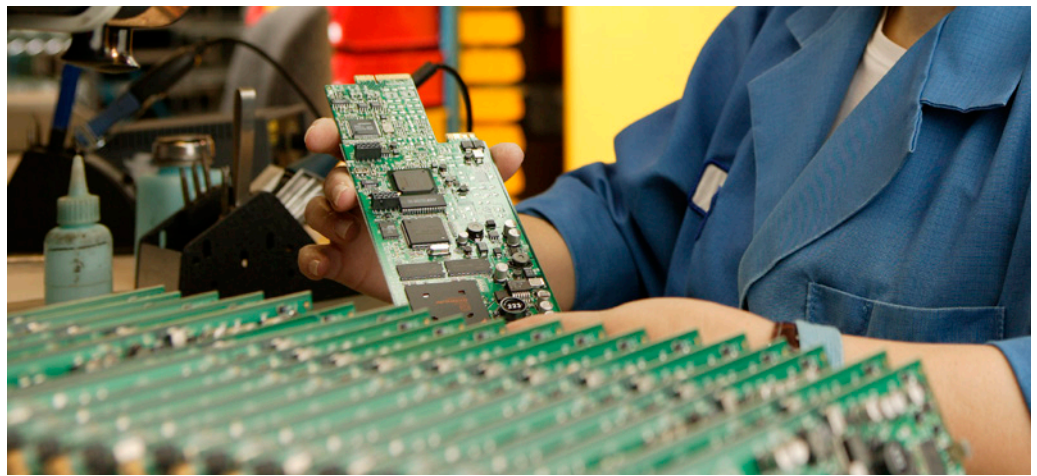
Space-saving, modular platform for advanced signal processing.

The GPI-1501 from Grass Valley, a Belden Brand, is a 2 RU Densité card which provides 20 dedicated general purpose interface (GPI) inputs plus eight terminals that can be individually configured, either as a GPI input or GPI output.

When paired with an iControl application server, the GPI-1501 provides alarm aggregation from older devices that do not offer Ethernet port connectivity. The application server can report alarm status information to operators via iControl or SNMP. It can also trigger external events, such as selecting an alternate source.

The card can also interface with automation systems via its GPI outputs for the control of legacy devices. Each incoming GPI is time stamped with incoming timecode, or using its own internal clock for accurate logging and report generation.

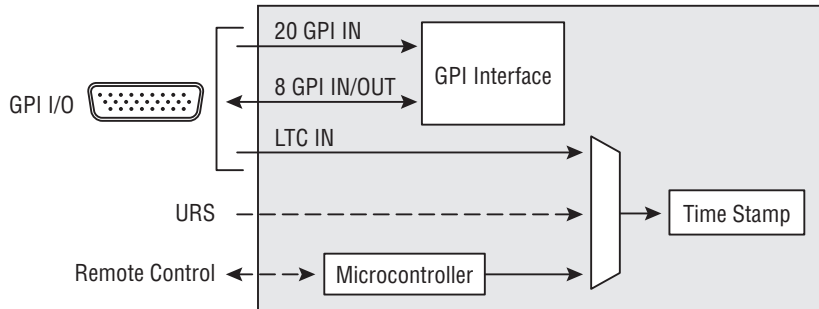
The GPI-1501 is also very useful in unmanned locations to report environmental anomalies when connected to GPI equipped sensors (intrusion, high humidity, temperature, smoke, etc). Multiple GPI-1501 cards can be ganged together to meet the requirements of larger installations.



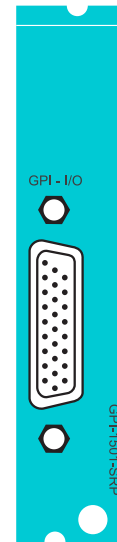
GPI-1501 GPI I/O Module

KEY FEATURES

- Provides GPI alarm aggregation for older devices, bridging the gap to modern IP enabled control systems
- Interfaces seamlessly with most automation systems
- Alarm aggregation of virtually any GPI enabled device
- Scalable to address large systems
- Time stamped events for accurate logging and root cause analysis
- 20 dedicated GPI inputs and 8 individually configurable as GPI I/O per card
- SMPTE-12M LTC timecode input
- SNMP support (status reporting) through an iControl application server
- Accurate internal clock with NTP protocol support



GPI-1501 Functional Block Diagram



GPI-1501-SRP

SPECIFICATIONS

<p>GPI In Connector: DB-44 Number of input: 20 opto-isolated Pull-up voltage: 2.3V Source current: 2 mA when input shorted Low level activation: 0.8V max Over voltage: 25V max Pulse duration: 8 ms min GPI bidirectional Connector: DB-44 Number of I/O: 8</p>	<p>Input Mode Pull-up voltage: 2.3V Source current: 2 mA when input shorted Low level activation: 0.8V max Over voltage: 25V max Pulse duration: 8 ms min</p>	<p>Output Mode Contact closure current: 50 mA max Reverse voltage: -15V max Reverse current: -50 mA max V out low: 0.6V at 1.5 mA</p>	<p>LTC Signal Connector: Sharing input 20 of DB-44 GPI's connector Signal type: Unbalanced as per SMPTE-12M date and time as per SMPTE-309M</p> <p>Electrical Power: 1W</p>
--	--	--	---



ORDERING

<p>Densité 2 frame GPI-1501 GPI-1501-SRP</p>	<p>Densité 3 frame GPI-1501-3RU GPI-1501-SRP-3RU</p>	<p>Description GPI I/O module Single rear connector panel</p>
<p>Option GPI-1501-TBA</p>	<p>Description GPI I/O terminal block adapter</p>	
<p>Remote control</p>	<p>iControl, iControl Solo, RCP-200</p>	

GVB-1-0382A-EN-DS



WWW.GRASSVALLEY.COM

Join the Conversation at **GrassValleyLive** on Facebook, Twitter, YouTube and **Grass Valley - A Belden Brand** on LinkedIn.



Belden, Belden Sending All The Right Signals and the Belden logo are trademarks or registered trademarks of Belden Inc. or its affiliated companies in the United States and other jurisdictions. Grass Valley, Densité and iControl are trademarks or registered trademarks of Grass Valley, Belden Inc., Grass Valley and other parties may also have trademark rights in other terms used herein.

Copyright © 2014 Grass Valley. All rights reserved. Specifications subject to change without notice.